



KRISNO

DRUM VERSION



PARTS CATALOGUE

CONTENTS

1 INTRODUCTION

- INTRODUCTION TO PARTS CATALOGUE
- COLOR CHART

2 PICTORIAL INDEX

ENGINE INDEX

- E01 ~ E06
- E07 ~ E12
- E13 ~ E18
- E19 ~ E21

FRAME INDEX

- F01 ~ F06
- F07 ~ F12
- F13 ~ F18
- F19 ~ F24
- F25 ~ F30

3 ENGINE GROUP

4 FRAME GROUP

5 DECALS GROUP

- D01 ~ D06

6 PART NUMBER INDEX

100010074	~	100103707
100103708	~	100203228
100203271	~	100033099-0006
100055587-0006	~	32204-H206-0100Q
32281-H206-000001	~	55007-H206-000001
55008-H206-000002	~	63505-H0E5-0000
63602-H418-000080	~	91202-1080-01831X
91205-1042-017T1X	~	B0009701060000K1X
B0009701060000K1X	~	B16674010600557X

INTRODUCTION

1

PICTORIAL INDEX

2

ENGINE GROUP

3

FRAME GROUP

4

DECALS GROUP

5

PART NO. GROUP

6

INTRODUCTION TO PARTS CATALOGUE

This parts catalogue is meant for type of model:

1. MJ110F-A2MY

This part catalogue is based on the latest specification on 8 February 2023 from ZS. Please refer to the nearest service centre to obtain the latest information on the part catalogue.

1. How to order parts.

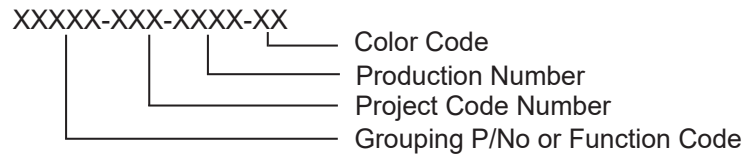
In ordering spare parts for the replacement market, it is compulsory to include the following items:

Part Number, Description and Color Code.

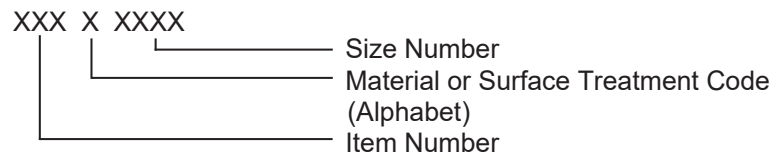
2. Explanation of Parts Catalogue

A. Part Number Structure

(i) Part number



(ii) Standard hardware number



B. Quantity

Indicates the volume quantity needed as specified in the column stated under "Quantity".

Note: Final quantity shall be specified in the quantity column and not always as depicted in diagram.

3. List of Abbreviations

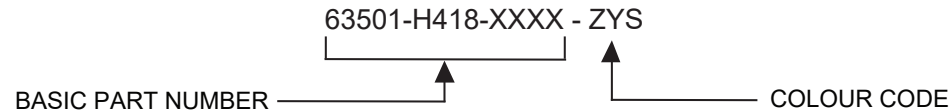
Describes the abbreviations used in this parts catalog.

(+)	Plus	MM	Millimeter
(-)	Minus	MPH	Miles Per Hour
&	And	NA	Not Available
2 nd	Second	O/S	Over Size
3 rd	Third	OD	Outside Diameter
4 th	Fourth	PR	Ply Rating
AR	As Required	REF	Reference
ASSY	Assembly	RH	Right Hand
CA	Cut Away	RPM	Revolutions Per Minute
CNT	Center	RR	Rear
COMP	Complete	STD	Standard
D	Degree	T	Teeth
FR	Front	T=	Thickness
G	Gram	U/S	Under Size
HEX	Hexagonal	UPP	Upper
ID=	Inside Diameter	V	Volt
KPH	Kilometers Per Hour	W	Watt
L	Link	W/	With
L=	Length	WD	With Decal
L/	Less	WOD	Without Decal
LH	Left Hand		

ALWAYS USE MODENAS GENUINE PARTS

COLOUR CHART 1

1. When ordering a coloured part/s, refer to the chart below and add the colour code at the end of the basic part number.



A) BODY COLOUR CODE (PAINT COLOUR CODE)

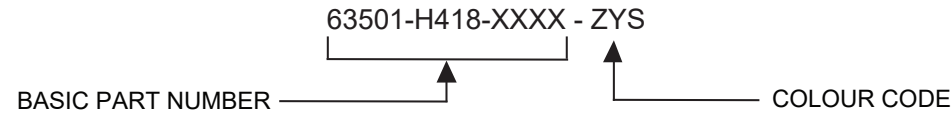
NO	COLOUR NAME	CODE FOR PART	COLOUR LOCATION			CODE FOR PRODUCT
			COLOUR 1	COLOUR 2	COLOUR 3	
1	DANDELION YELLOW	2045	2045	6514	7564	ZYS
2	VIGOROUS BLUE	4076	4076	6514	7564	ZBS
3	GLORIOUS BLACK	6514	6514	6514	-	ZLS
4	MATTE SILVER	7564	7564	-	-	ZYS/ZBS/ZLS

B) COLOUR CODE FOR ABS PARTS (PAINT CODE)

NO	PART NAME	PART NO.	COLOUR CODE		
			ZYS	ZBS	ZLS
1	SHELL-HEADLIGHT	63501-H0E5	2045 + 6514	4076 + 6514	6514
2	DECO-PARTS-FRONT-WIND-COVER	62307-H418	6514	6514	↑
3	FRONT-WIND-COVER	62301-H418	2045	4076	↑
4	EXTERNAL-BOARD-WIND-BOARD-LH	62402-H418	6514	6514	↑
5	EXTERNAL-BOARD-WIND-BOARD-RH	62403-H418	↑	↑	↑
6	WIND-BOARD-LH	63401-H418	↑	↑	↑
7	WIND-BOARD-RH	63406-H418	↑	↑	↑
8	COVER-OUTSIDE-LH	6312F-H418	7564	7564	7564
9	COVER-OUTSIDE-RH	6312E-H418	↑	↑	↑
10	PROTECTING-BOARD-CENTRAL-REAR	62218-H418	6514	6514	6514
11	CAP-VEHICLE-PART-LH	63341-H418	↑	↑	↑
12	CAP-VEHICLE-PART-RH	63352-H418	↑	↑	↑
13	SIDE-CAP-LH	63301-H418	↑	↑	↑
14	SIDE-CAP-RH	63332-H418	↑	↑	↑
15	TAIL-CAP	63602-H418	↑	↑	↑
16	FRONT-FENDER	63104-H670	2045 + 6514	4076 + 6514	↑
17	DECO-CAP-FRONT-FENDER-LH	63127-H670	2045	4076	↑
18	DECO-CAP-FRONT-FENDER-RH	63126-H670	↑	↑	↑
19	COVER-REAR-EXHAUST-MUFFLER	18040-H0E5	000073	000073	000073

COLOUR CHART 2

- When ordering a coloured part/s, refer to the chart below and add the colour code at the end of the basic part number.



C) PATTERN

NO	PART NAME	PART NO.	COLOUR CODE		
			ZYS	ZBS	ZLS
1	PATT-FRONT-WIND-COVER-UPPER-LH	56062-519-1221	2045	4076	6514
2	PATT-FRONT-WIND-COVER-UPPER-RH	56062-519-1222	↑	↑	↑
3	PATT-FRONT-WIND-COVER-LOWER-LH	56062-519-1223			
4	PATT-FRONT-WIND-COVER-LOWER-RH	56062-519-1224			
5	PATT-CAP-VEHICLE PART-UPPER-LH	56062-519-1225			
6	PATT-CAP-VEHICLE PART-UPPER-RH	56062-519-1226			
7	PATT-CAP-VEHICLE PART-LOWER-LH	56062-519-1227			
8	PATT-CAP-VEHICLE PART-LOWER-RH	56062-519-1228			
9	PATT-SIDE CAP-LH	56062-519-1229			
10	PATT-SIDE CAP-RH	56062-519-1230			

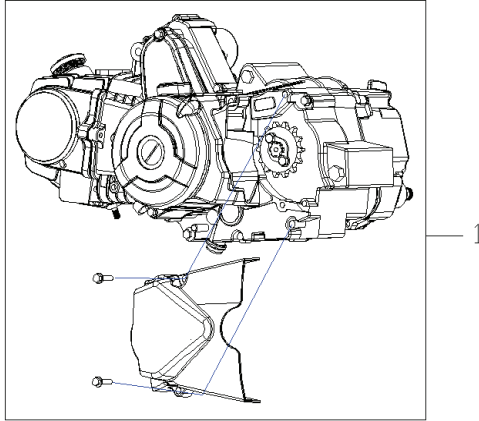


PICTORIAL INDEX 2

PICTORIAL INDEX

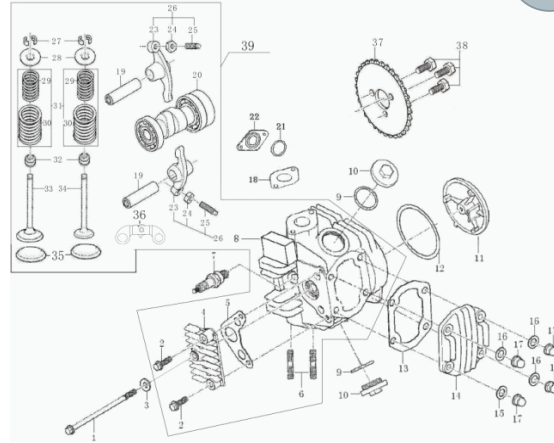
ENGINE

E 1



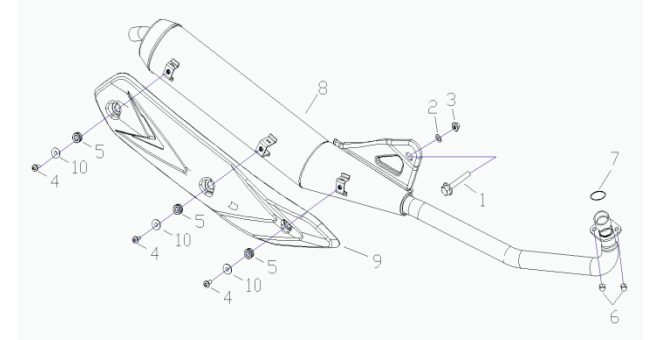
CYLINDER HEAD ASSY

E 2



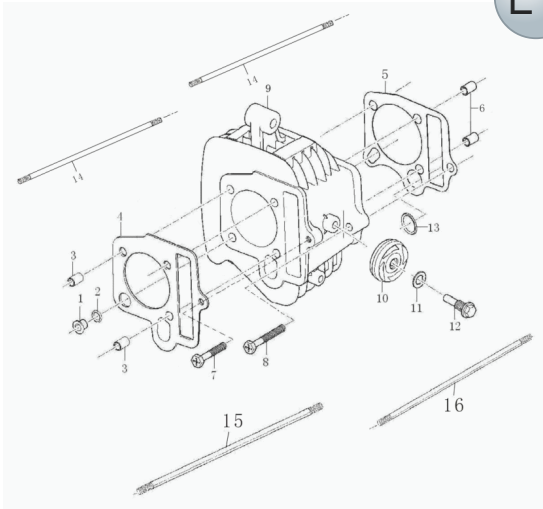
MUFFLER

E 3



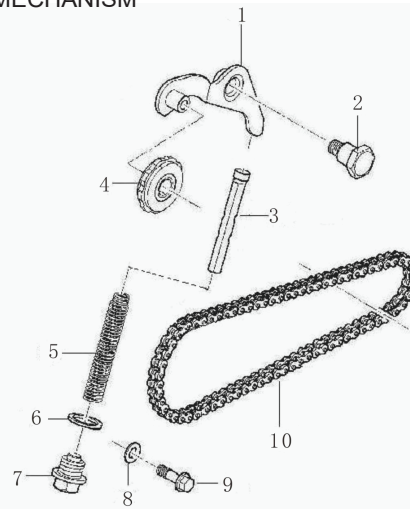
CYLINDER ASSEMBLY

E 4



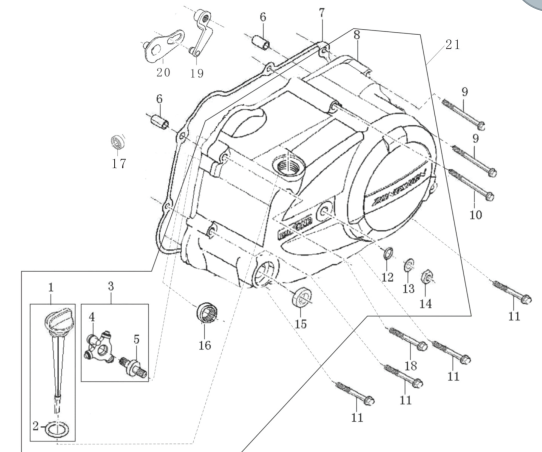
VALVE MECHANISM

E 5



RIGHT CRANKCASE COVER

E 6



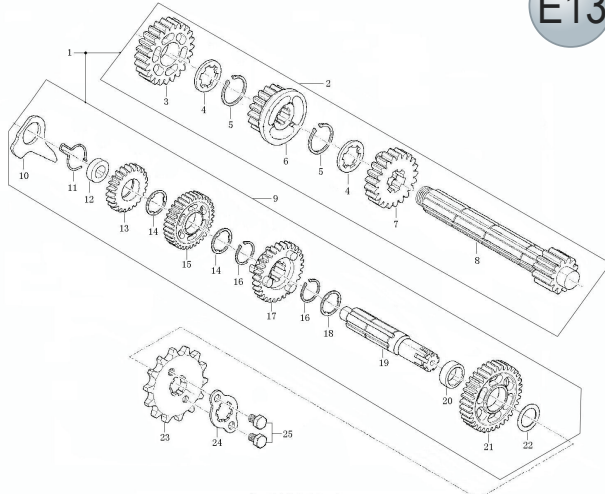
PICTORIAL INDEX

<p>LEFT CRANKCASE COVER</p> <p>E 7</p>	<p>CLUTCH ASSY</p> <p>E 8</p>	<p>OIL PUMP</p> <p>E 9</p>
<p>LEFT CRANKCASE</p> <p>E10</p>	<p>RIGHT CRANKCASE</p> <p>E11</p>	<p>CRANKSHAFT CONNECTING-ROD ASSY</p> <p>E12</p>

PICTORIAL INDEX

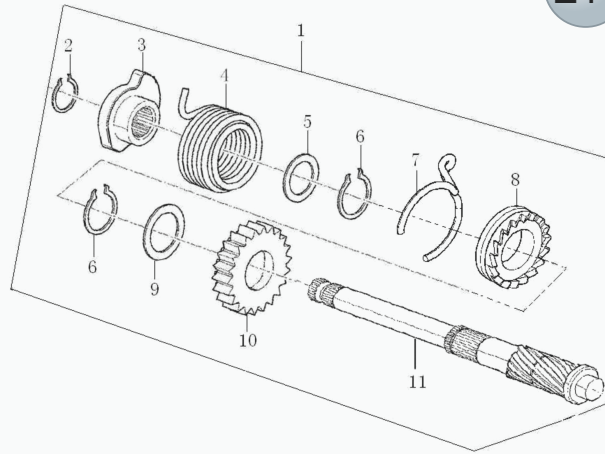
TRANSMISSION MAIN, COUNTER SHAFT

E13



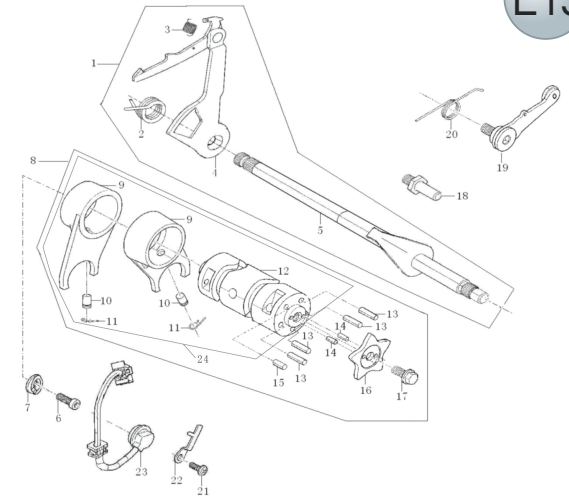
KICK STARTING SHAFT ASSEMBLY

E14



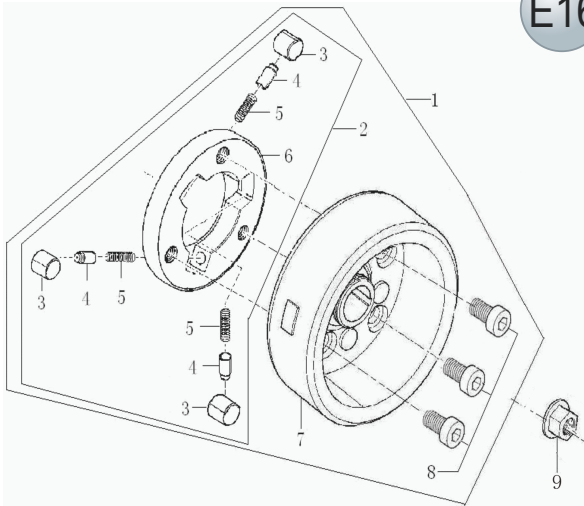
GEARSHIFT MECHANISM

E15



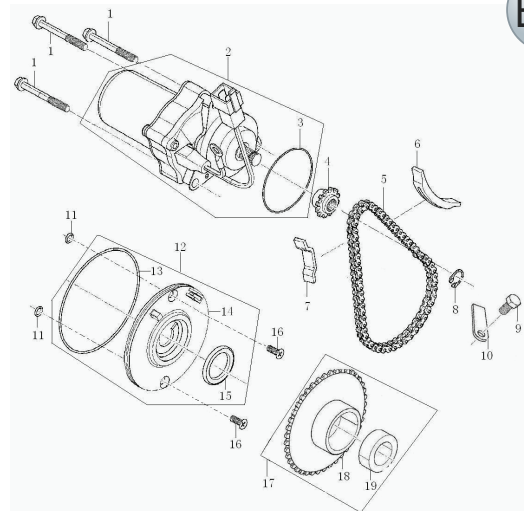
MAGNETO COMP

E16



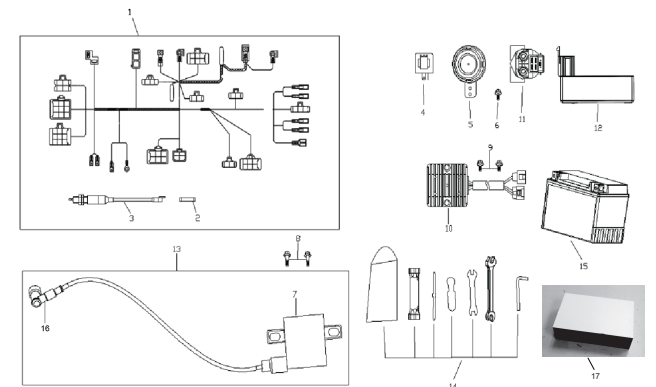
ELECTRIC STARTING MECHANISM

E17

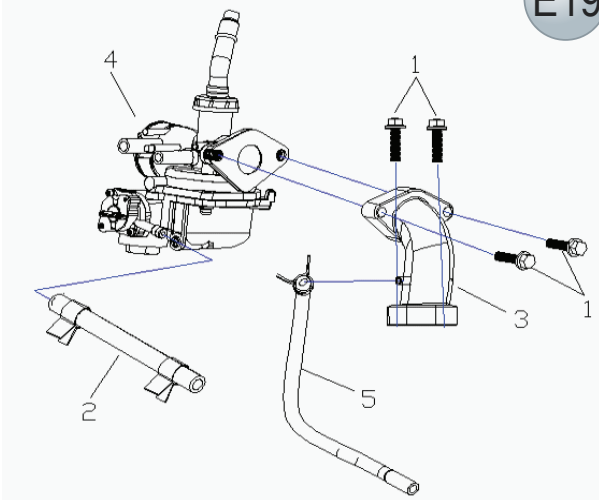
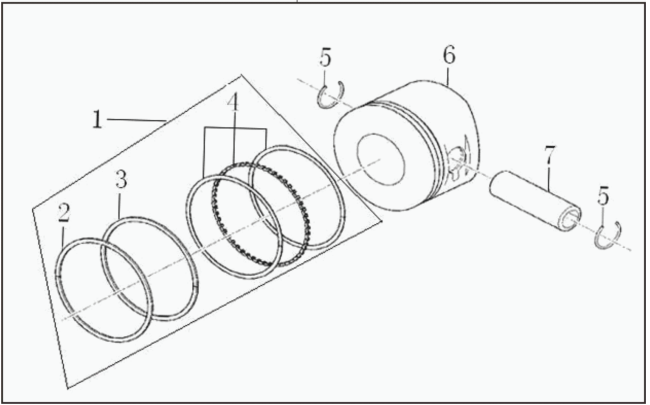
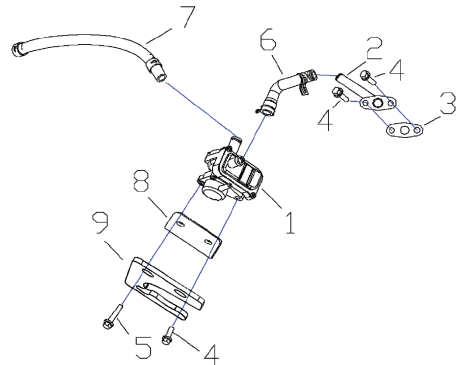


ELECTRICAL PARTS

E18



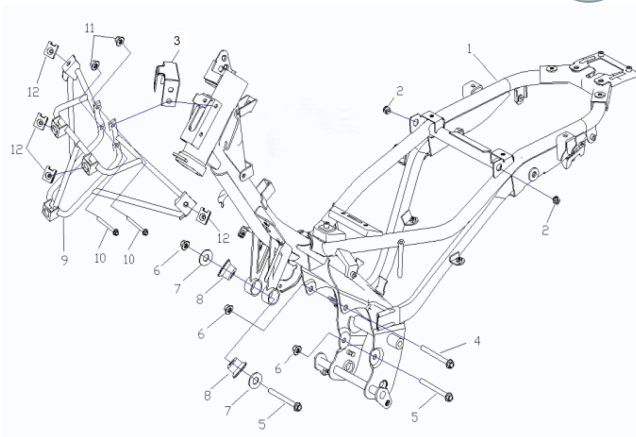
PICTORIAL INDEX

<p>CARBURETOR & INTAKE PIPE E19</p> 	<p>PISTON E20</p> 	<p>AIR PUMP E21</p> 
<p>N/A E22</p>	<p>N/A E23</p>	<p>N/A E24</p>

PICTORIAL INDEX

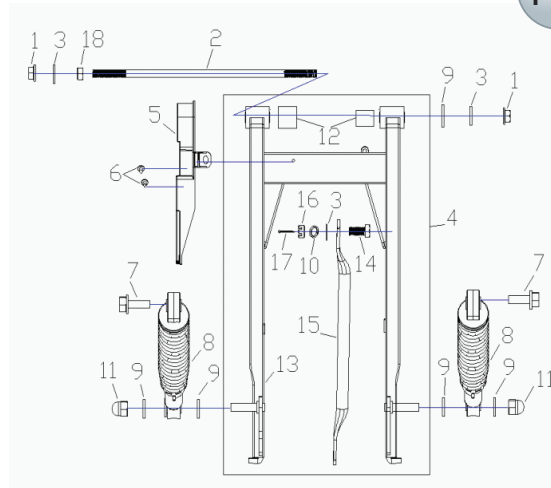
FRAME

F 1



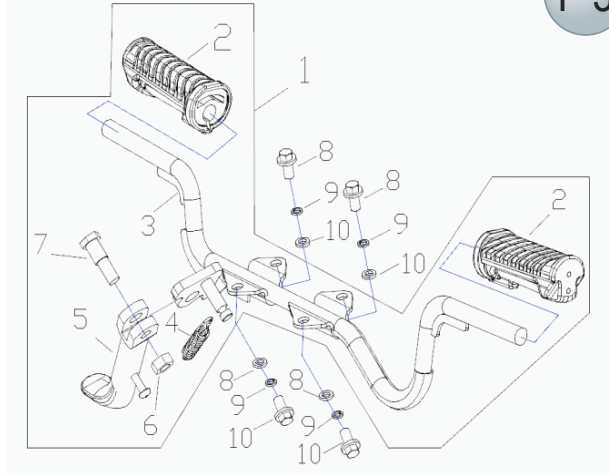
REAR SWING ARM/REAR ABSORBER

F 2



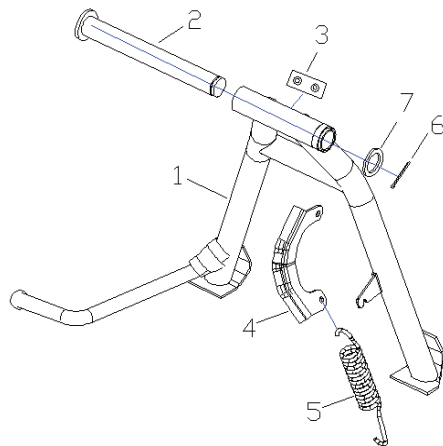
FRONT FOOTPEG

F 3



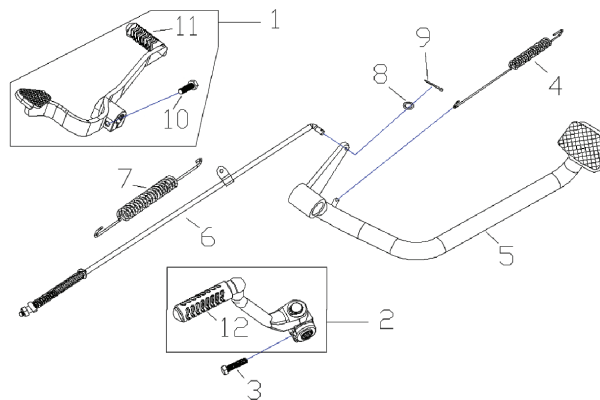
MAIN BRACKET / CENTRE STAND

F 4



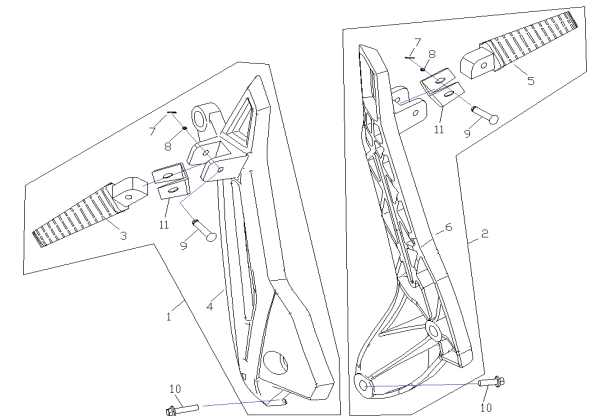
FOOT CONTROL PARTS

F 5



REAR PEDAL

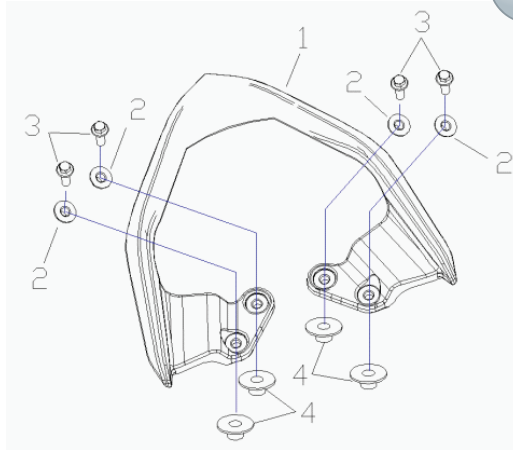
F 6



PICTORIAL INDEX

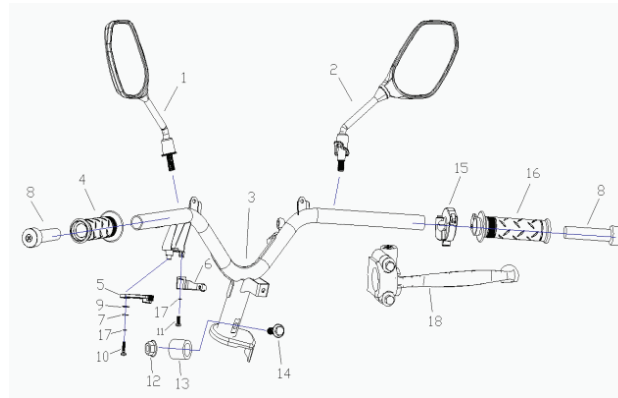
REAR ARMREST

F 7



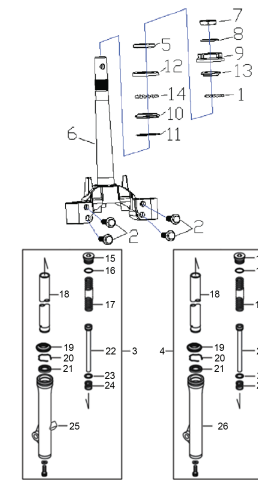
HANDLEBAR & REAR VIEW MIRROR

F 8



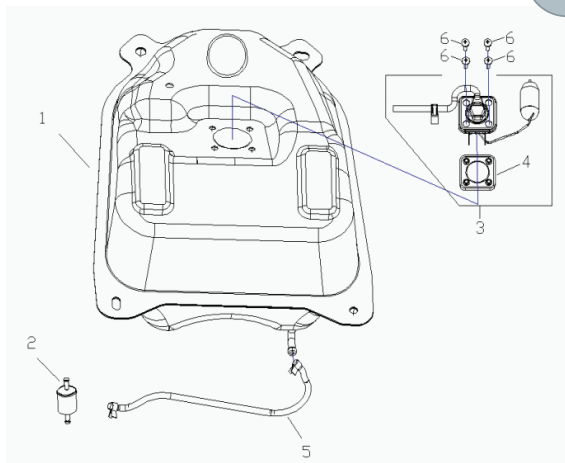
STEERING STEM / FRONT ABSORBER

F 9



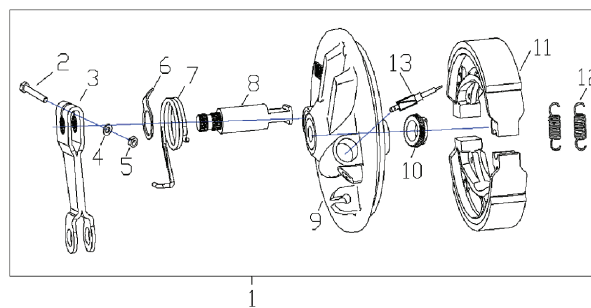
FUEL TANK

F10



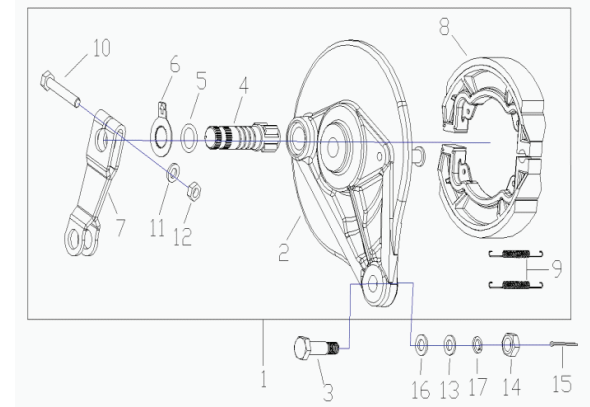
FRONT BRAKE

F11



REAR BRAKE

F12



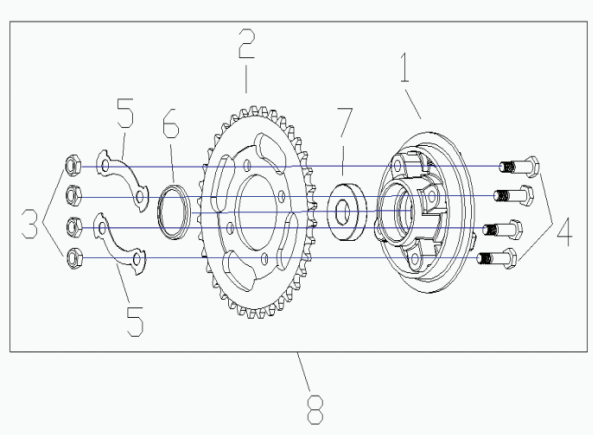
PICTORIAL INDEX

<p>MIDDLE GOODS CASE F13</p>	<p>FRONT PART, REAR FENDER F14</p>	<p>REAR PART, REAR FENDER, TURNING LAMP REAR F15</p>
<p>CHAIN CASE, CHAIN F16</p>	<p>FRONT ALUMINIUM WHEEL/FRONT-TYRE F17</p>	<p>REAR ALUMINIUM WHEEL/REAR-TYRE F18</p>

PICTORIAL INDEX

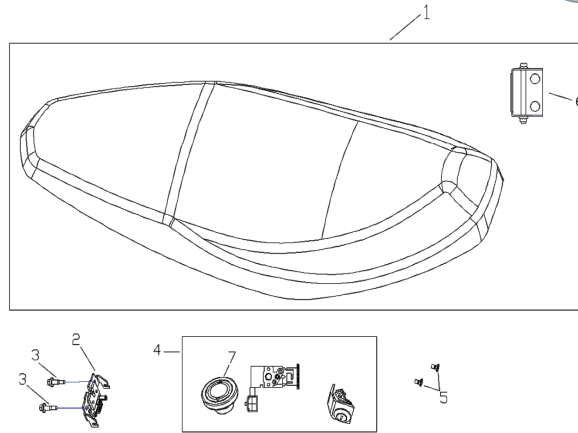
BUFFER ASSEMBLY

F19



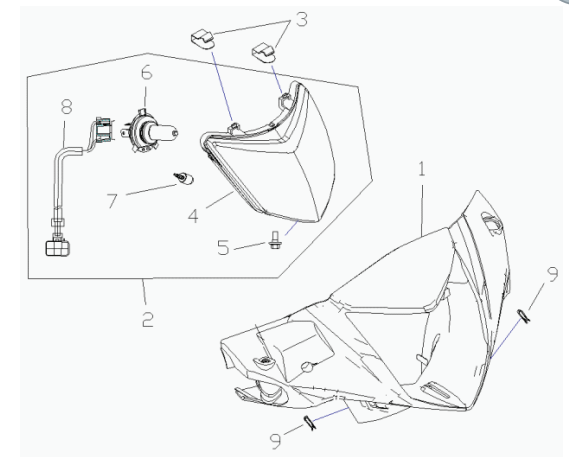
SEAT

F20



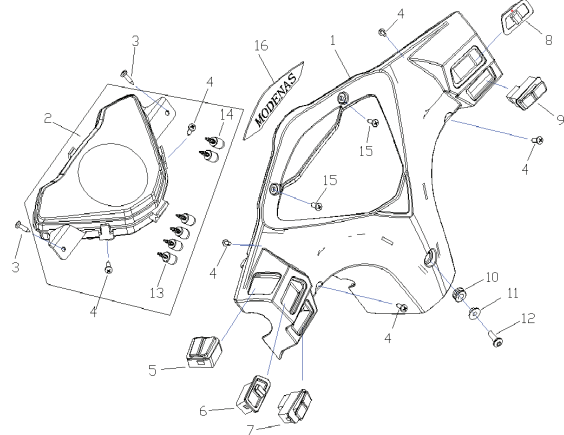
HEADLIGHT / FRONT COVER HANDLE

F21



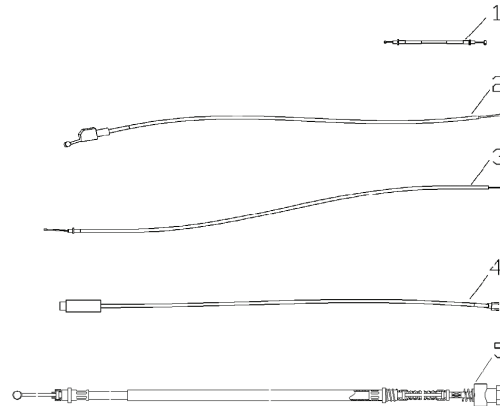
METER / REAR COVER HANDLE

F22



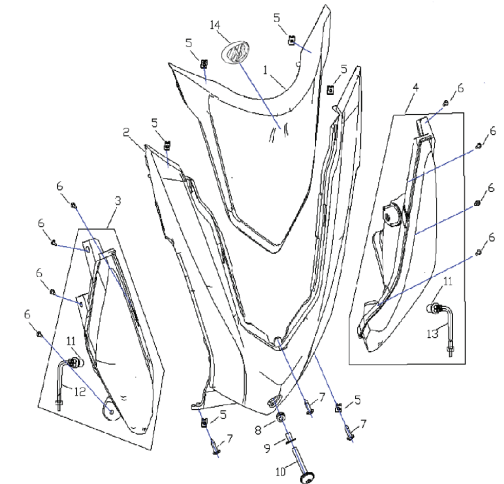
CONTROL CABLE

F23



FRONT WIND COVER FRONT TURNING LIGHT

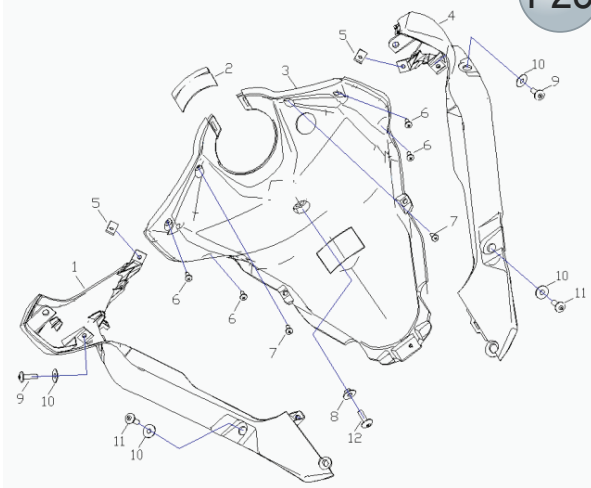
F24



PICTORIAL INDEX

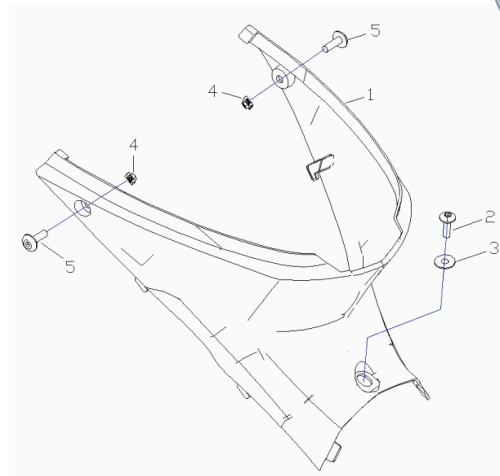
PROTECTING BOARD, CENTRAL FRONT

F25



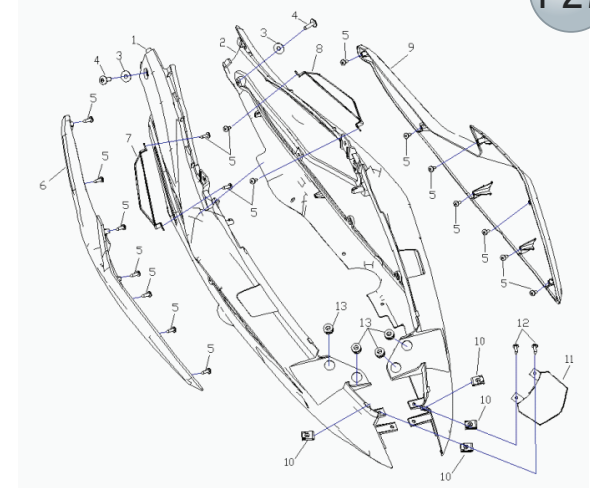
PROTECTING BOARD, CENTRAL REAR

F26



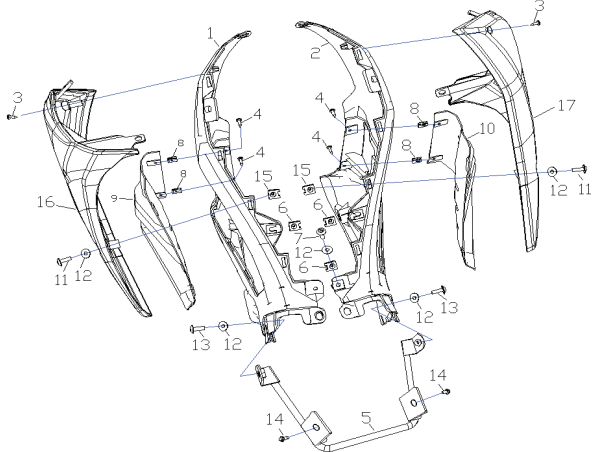
VEHICLE CAP

F27



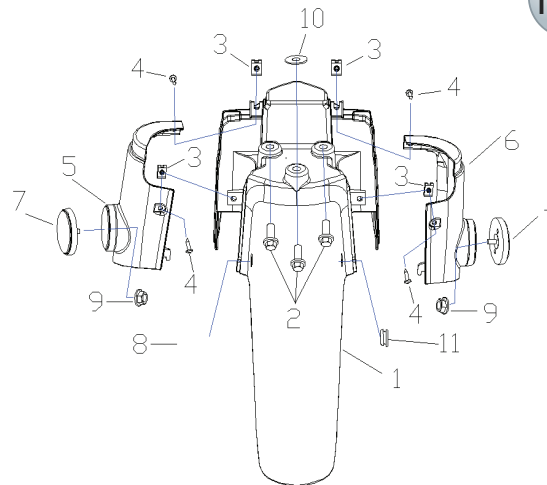
WIND BOARD

F28



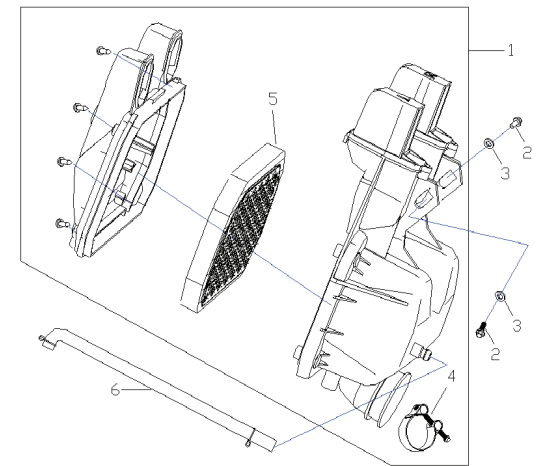
FRONT FENDER

F29

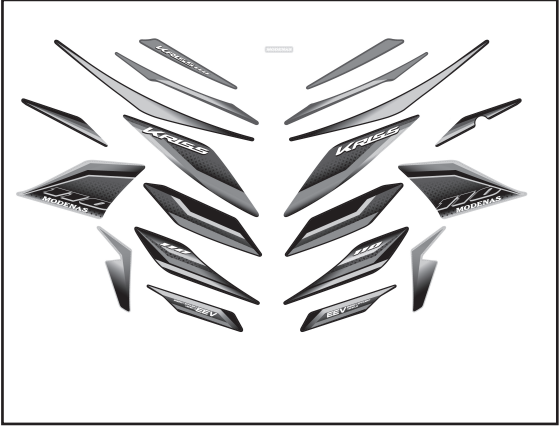


AIR CLEANER

F30

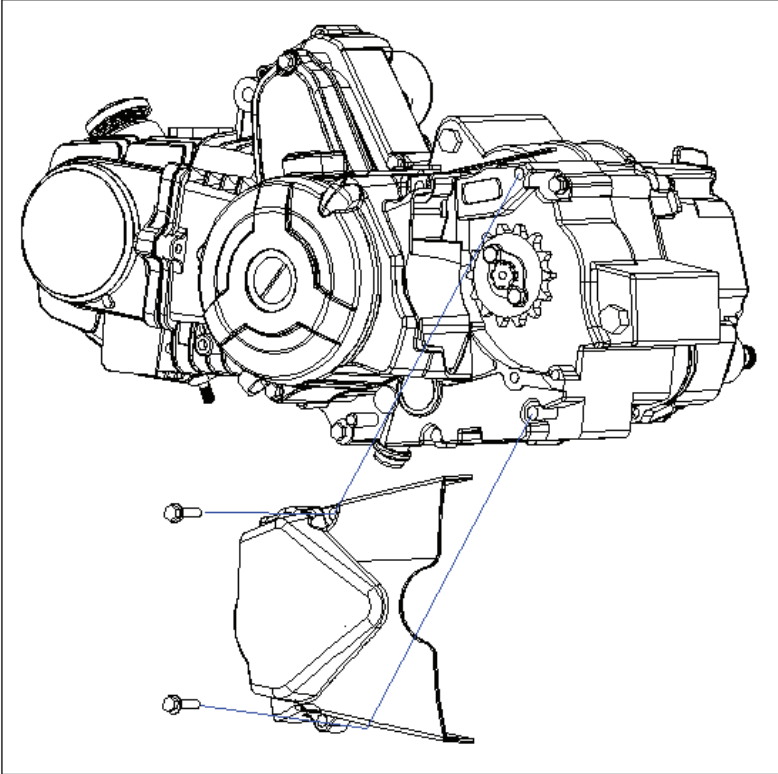


PICTORIAL INDEX

<p>PATTERNS</p> <p>1/2/3</p>  <p>D01</p>	<p>N/A</p> <p>D02</p>	<p>N/A</p> <p>D03</p>
<p>N/A</p> <p>D04</p>	<p>N/A</p> <p>D05</p>	<p>N/A</p> <p>D06</p>



ENGINE

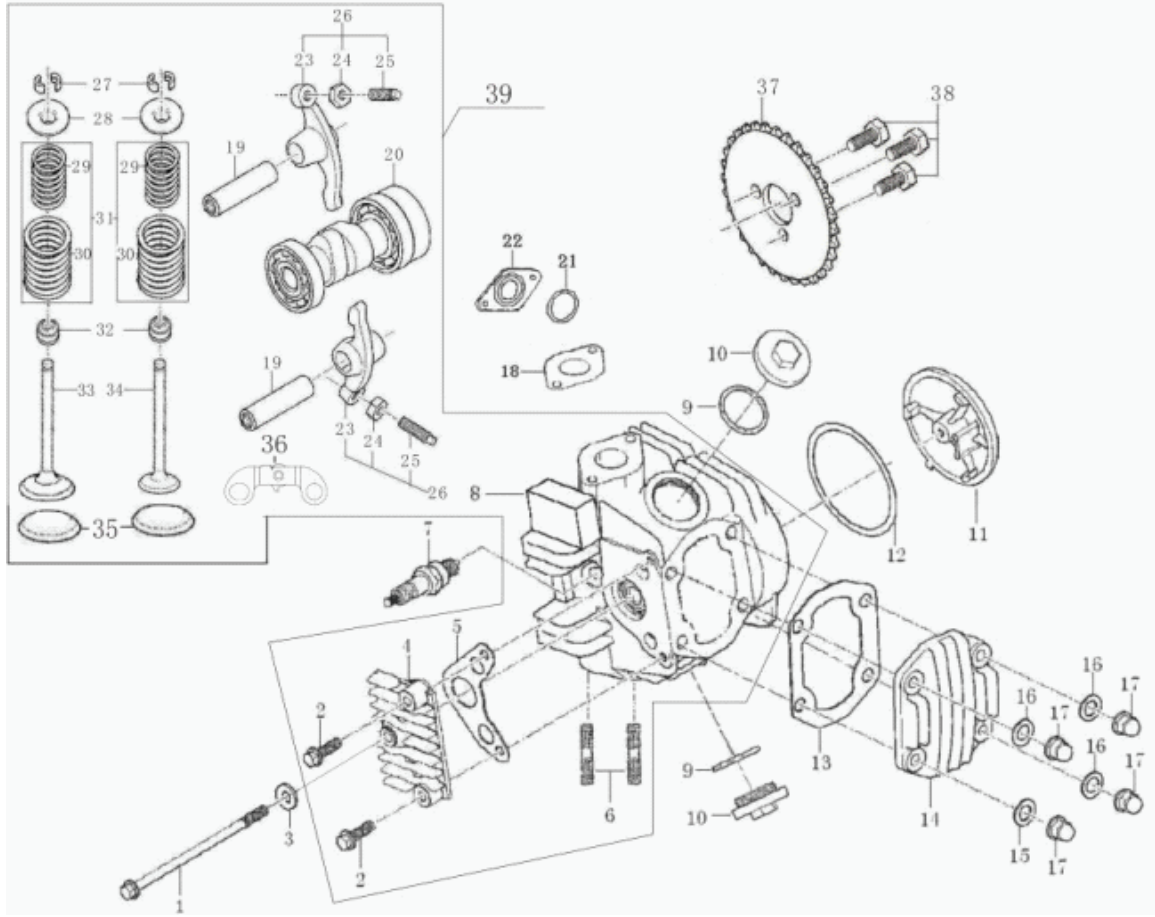


1

Ref. No.	Part No.	Description	Qty
----------	----------	-------------	-----

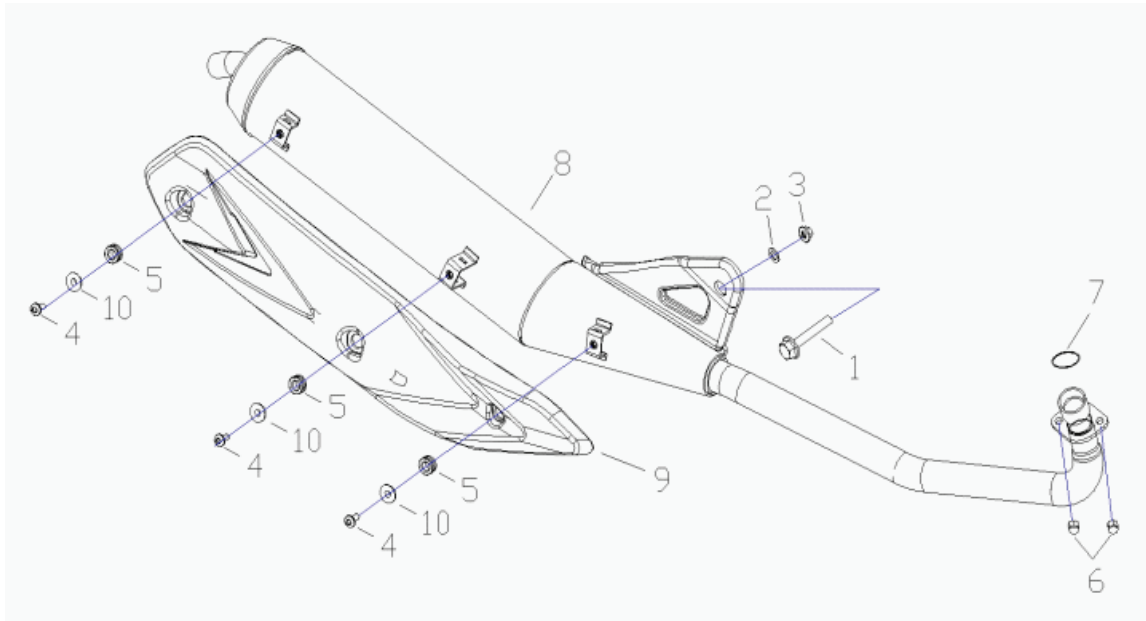
1	1M01D0068	ENGINE	1
---	-----------	--------	---

CYLINDER HEAD ASSY



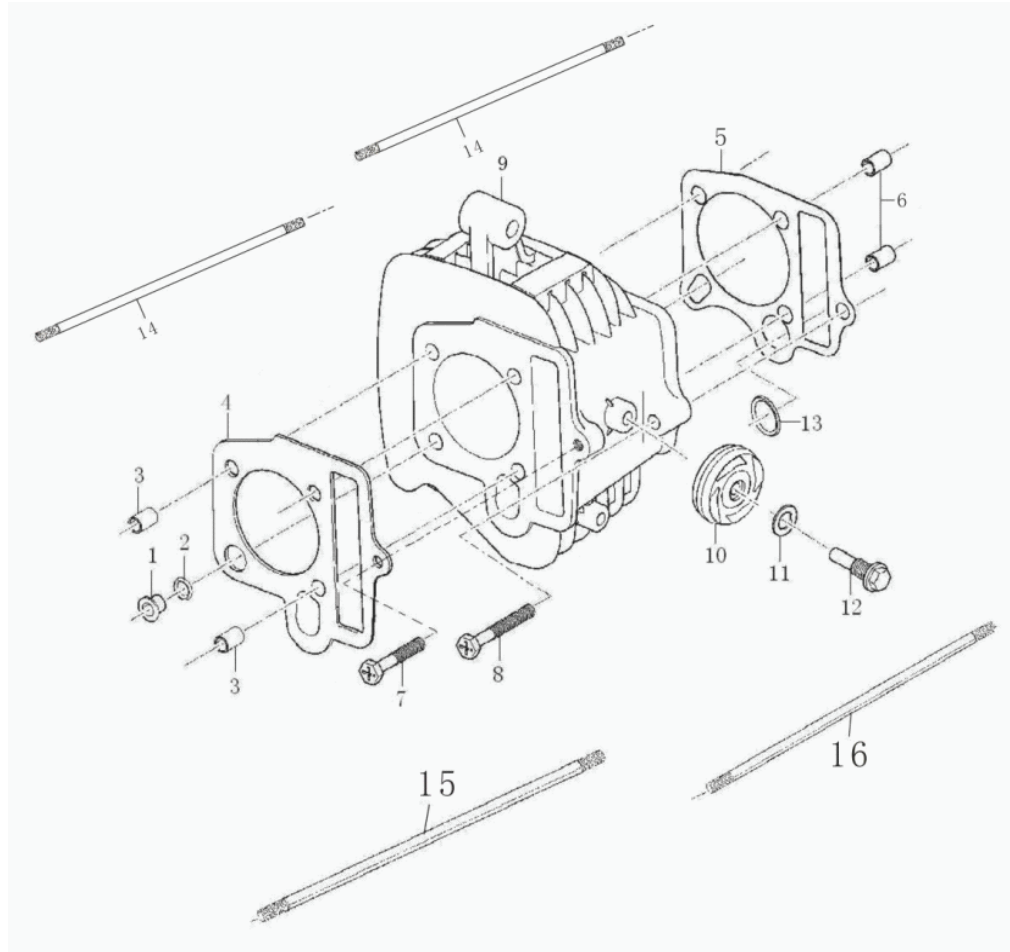
Ref. No.	Part No.	Description	Qty
			F
1	100100492-0007	BOLT M6X110	1
2	100011534-0002	BOLT M6X25	2
3	100106540	WASHER DIA.6.5X1XDIA.12	1
4	100205661-0016	RIGHT COVER CYLINDER HEAD	1
5	100208500	GASKET R.CYLINDER HEAD COVER	1
6	100100438-0002	BOLT M6X32	2
7	100104129	SPARK PLUG	1
8	100132820-0004	CYLINDER HEAD ASSY	1
9	100107742	O-RING DIA.29.6X3.2	2
10	100102869-0045	COVER VALVE CHAMBER	2
11	100205635-0015	CYLINDER HEAD LEFT COVER	1
12	100208489	GASKET L.CYLINDER HEAD COVER	1
13	100208480	GASKET CYLINDER HEAD UPPER COVER	1
14	100205587-0036	UPPER COVER CYLINDER HEAD	1
15	100106565	WASHER DIA.6.2X2XDIA.13	1
16	100106337	WASHER DIA.6.2X2XDIA.13	3
17	100100507-0004	NUT M6	4
18	100201126	GASKET INLET PIPE	1
19	100105148	ROCKER SHAFT	2
20	100200112	CAMSHAFT COMP	1
21	100107728	O-RING DIA.25X2.4	1
22	100104606	GASKET CARBURETOR	1
23	100066182	ROCKER ARM	2
24	100105156	NUT VALVE CLEARANCE	2
25	100105167	SCREW VALVE CLEARANCE	2
26	100200404	ROCKER ARM ASSY VALVE	2
27	100105320	VALVE LOCKER	4
28	100105305	SPRING SEAT	2
29	100200681	VALVE INNER SPRING	2
30	100200667	VALVE OUTER SPRING	2
31	100200724	INNER SPRING ASSY	2
32	100062531	SEAL VALVE STEM	2
33	100200570	INTAKE VALVE	1
34	100200615	EXHAUST VALVE	1
35	100105313	OUTER VALVE SPRING RETAINER	2
36	100205538	LIMIT PLATE REDUCTING VALVE	1
37	100105029	TIMING DRIVEN SPROCKET	1
38	100100487	BOLT M5X12	3
39	100152951-0002	CYLINDER HEAD ASSY	1

MUFFLER



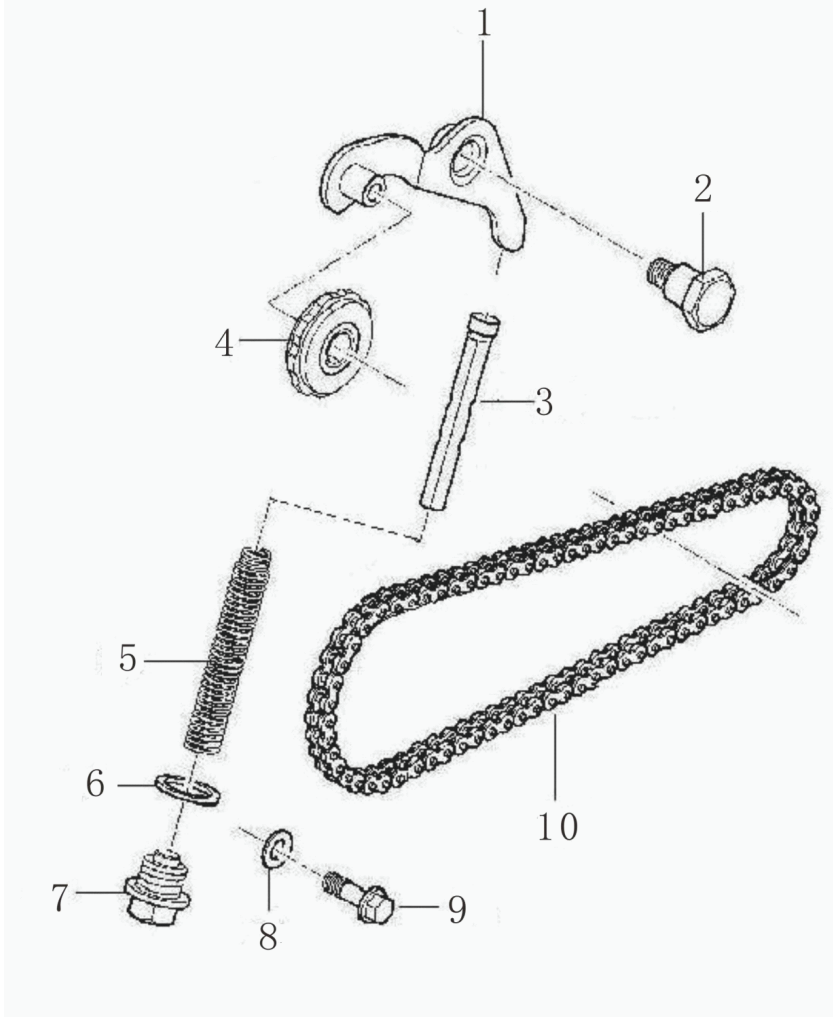
Ref. No.	Part No.	Description	Qty
			F
1	B0578900080040T1X	BOLT M8X40	1
2	B0009601080000K1X	WASHER 8	1
3	B061870108000061X	NUT M8	1
4	9A113-1060-01671X	SCREW M6X16	3
5	6222D-0000-1200Q	RUBBER PAD	3
6	91202-1080-01831X	CAP NUT M8X17.5	2
7	18030-H206-0000	SEAL PAD, EXHAUST MUFFLER	1
8	18000-H418-210004	MUFFLER	1
9	18040-H0E5-000073	COVER REAR, EXHAUST MUFFLER	1
10	91302-9060-15061X	WASHER FLANGED	3

CYLINDER ASSEMBLY



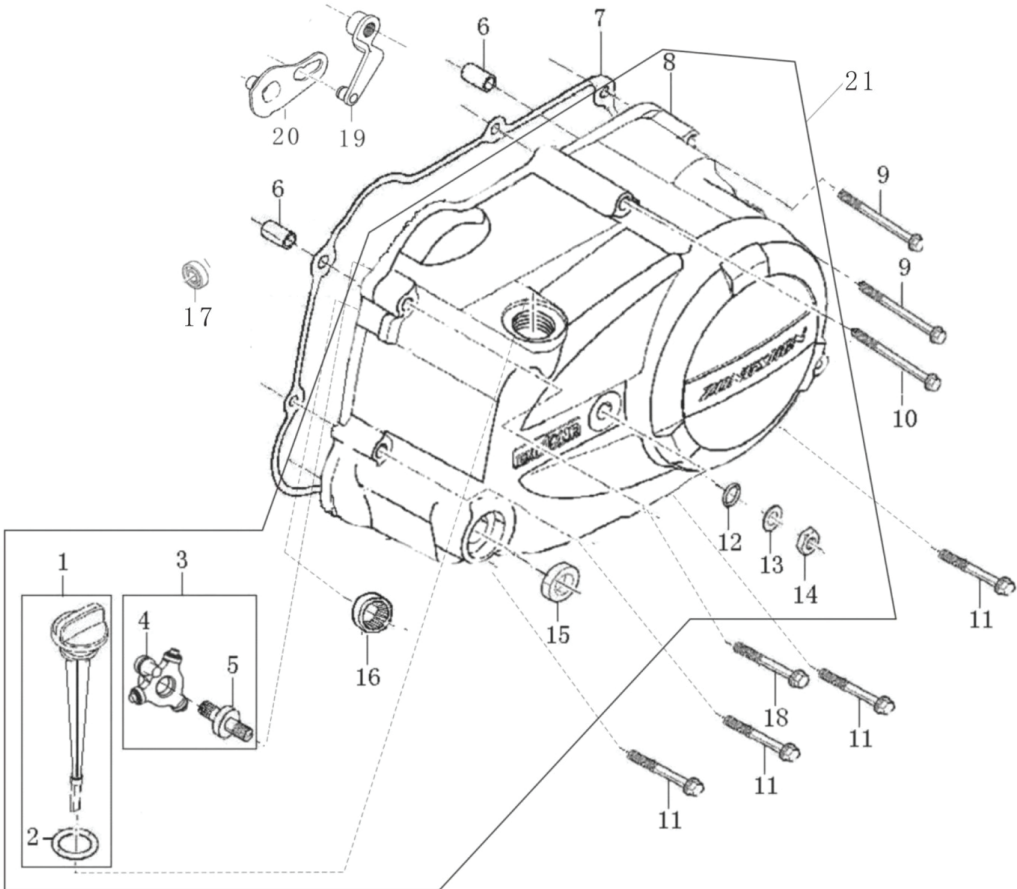
Ref. No.	Part No.	Description	Qty
			F
1	100102874	BUSH 9.5	1
2	100104512	RETANGLE RING 8X10.8X1.5	1
3	100101211	DOWEL PIN DIA.8X14XDIA.7	2
4	100208816	GASKET ASSY CYLINDER HEAD	1
5	100208557	GASKET ASSY CYLINDER BLOCK	1
6	100101210	DOWEL PIN DIA.8X12XDIA.7	2
7	100100382-0007	BOLT M6X23	1
8	100204662-0007	BOLT M6X30	1
9	100207321-0007	CYLINDER BLOCK ASSY	1
10	100200330	GUIDE CHAIN ROLLER PIN	1
11	100106544	WASHER DIA.8X1.5XDIA.14	1
12	100105067-0006	GUIDE CHAIN ROLLER PIN	1
13	100104513	RETANGLE RING 11.5X16X2.5	1
14	100100231	CYLINDER STUD BOLT A	2
15	100100290	CYLINDER STUD BOLT B	1
16	100100289	CYLINDER STUD BOLT B	1

VALVE MECHANISM



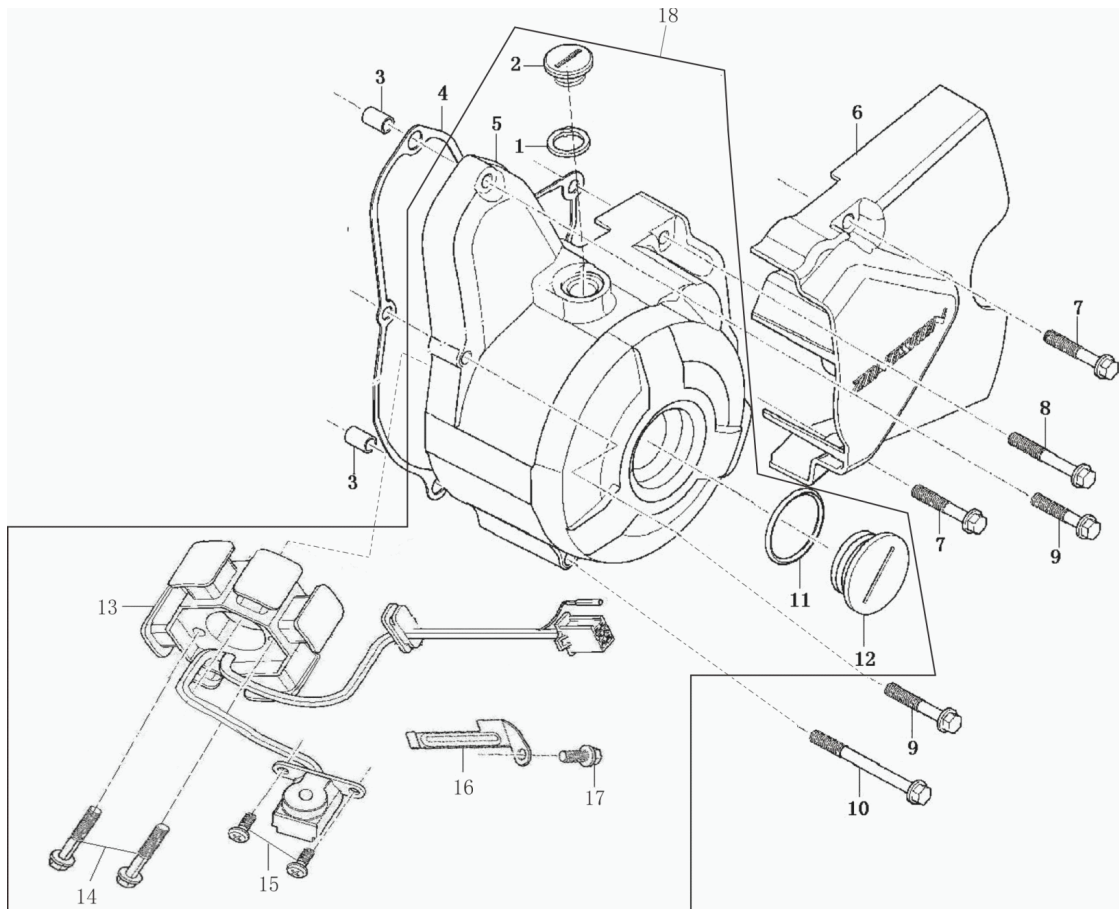
Ref. No.	Part No.	Description	Qty
			F
1	100105256	CHAIN ADJUSTING SET	1
2	100105207	AXLE TENSIONER LEVER	1
3	100105253	CAM CHAIN TENSIONER PUSH ROD	1
4	100105239	PLUG OF TIGHTENER	1
5	100105204	SPRING	1
6	100106552	WASHER DIA.14X1.5XDIA.20	1
7	100100343-0007	SEALING PLUG M14X1.5	1
8	100106538	WASHER DIA.6.2X1.5XDIA.13	1
9	100033099-0006	BOLT M6X18	1
10	100105089	SPROCKET CHAIN	1

RIGHT CRANKCASE COVER



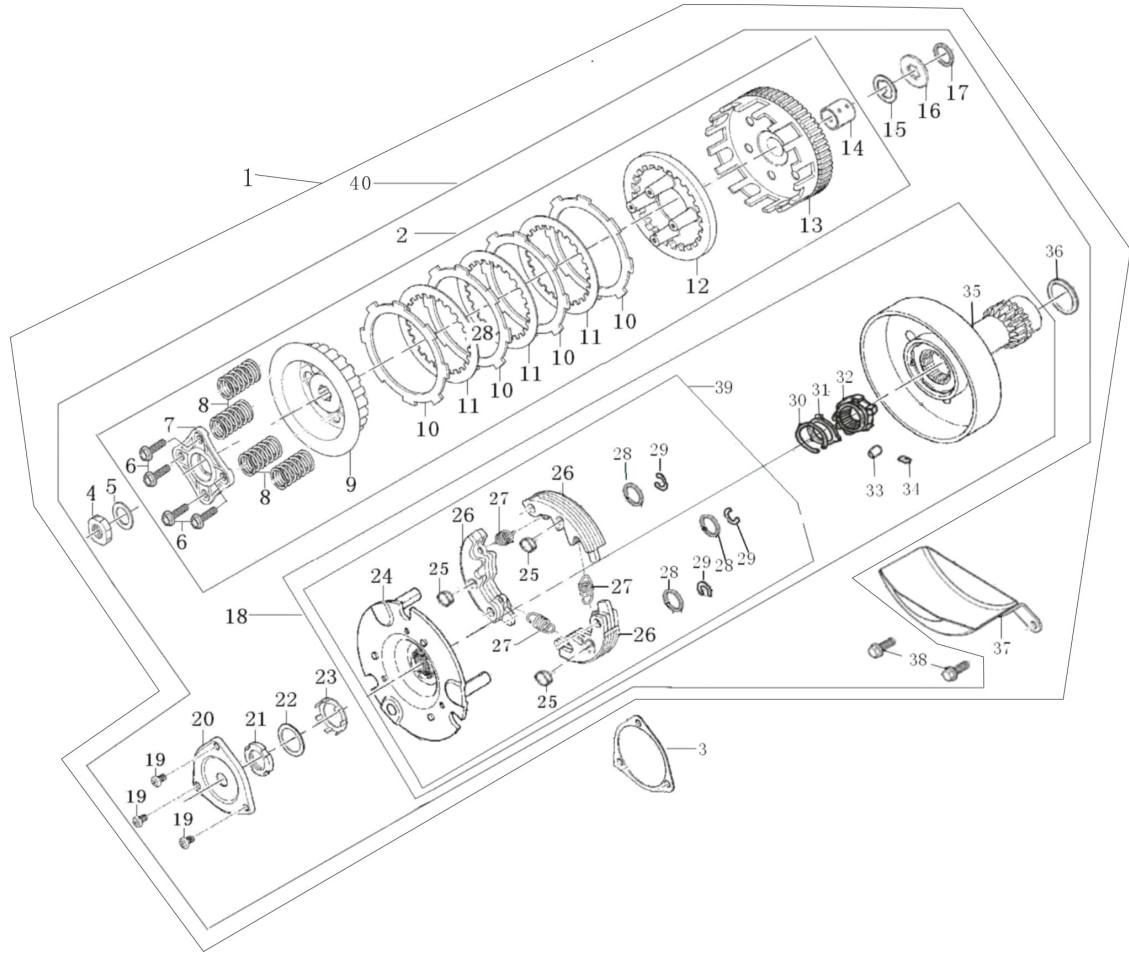
Ref. No.	Part No.	Description	Qty
			F
1	100200056-0002	OIL RULER ASSY	1
2	100031604	O-RING DIA.18X3	1
3	100203191-0001	CLUTCH TAPPET	1
4	100203183	CLUTCH TAPPET	1
5	100100372-0001	BOLT M8	1
6	100100867	DOWEL PIN DIA.8X12XDIA.6.3	2
7	100208630	GASKET R. CRANKCASE	1
8	100202572-0079	COVER COMP RIGHT CRANKCASE	1
9	100031960-0007	BOLT M6X80	2
10	100011543-0001	BOLT M6X65	1
11	100011538-0003	BOLT M6X40	4
12	100107836	O-RING DIA.8X1.8	1
13	100059272	WASHER	1
14	100100562-0002	NUT	1
15	100104729	OIL SEAL 13.8X24X5	1
16	100101058	NEEDLE BEARING	1
17	100031716	BEARING 6000	1
18	100033087-0006	BOLT M6X42	1
19	100051306	CLUTCH MANIPULATE ARM COMBINATION	1
20	100103450	CAM PLATE ASSY CLUTCH	1
21	100302984-0003	COVER COMP RIGHT CRANKCASE	1

LEFT CRANKCASE COVER



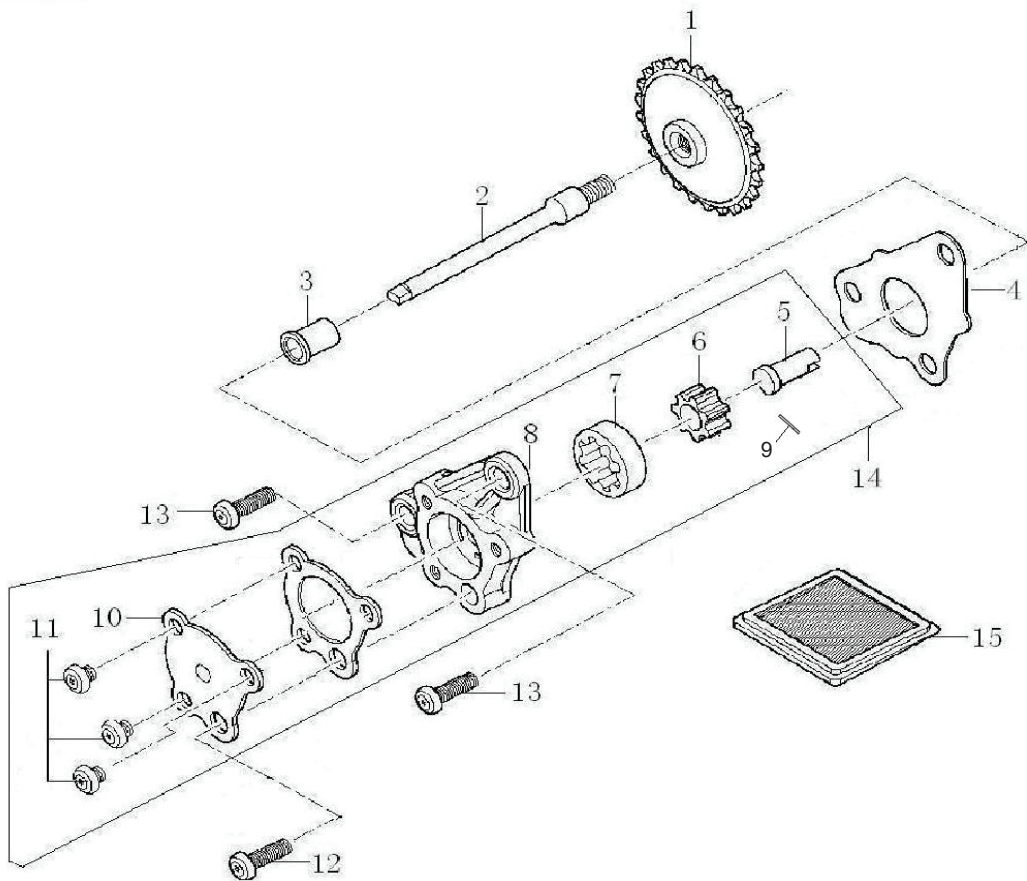
Ref. No.	Part No.	Description	Qty
			F
1	100010074	O-RING DIA.13.2X2.65	1
2	100103059-0021	CAP SMALL VIEW HOLE	1
3	100100867	DOWEL PIN DIA.8X12XDIA.6.3	2
4	100208510	GASKET L.CRANKCASE COVER	1
5	100204895-0005	FRONT PART L.CRANKCASE COVER	1
6	100202220-0032	BACK PART L.CRANKCASE COVER	1
7	100055587-0006	BOLT M6X28	2
8	100011537-0002	BOLT M6X35	1
9	100031957-0007	BOLT M6X32	2
10	100031959-0007	BOLT M6X70	1
11	100107731	O-RING DIA.27.4X2.65	1
12	100103062-0020	CAP BIG VIEW HOLE	1
13	100733998-0001	STATOR ASSY MAGNETO	1
14	100011534-0002	BOLT M6X25	1
15	100011168-0003	BOLT M5X12	2
16	100103067	FIXING PLATE MAGNETO CABLE	1
17	100055589-0006	BOLT M6X16	1
18	100091304-0005	FRONT PART L. CRANKCASE COVER PARTS	1

CLUTCH ASSY



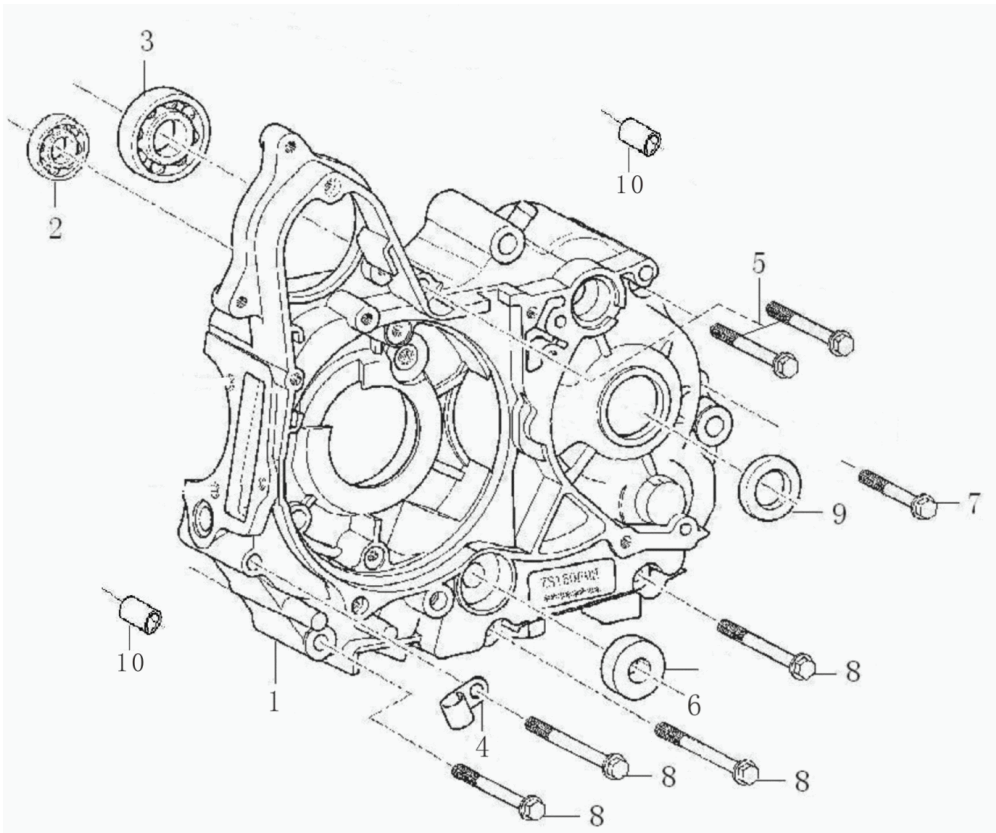
Ref. No.	Part No.	Description	Qty
			F
1	100202781	CLUTCH ASSY	1
2	100301310	CLUTCH ASSY	1
3	100208791	GASKET PRIMARY CLUTCH COVER	1
4	100100514	LOCK NUT CLUTCH	1
5	100103344	DISH WASHER CLUTCH	1
6	100011267-0003	BOLT M6X22	4
7	100301347	END COVER CLUTCH	1
8	100301379	SPRING CLUTCH	4
9	100103357	CENTER SLEEVE CLUTCH	1
10	100301461	DRIVE FRICTION DISK	4
11	100103420	OUTER FRICTION DISK A	3
12	100301355	PRESSURE PLATE CLUTCH	1
13	100301404	OUT CASE ASSY CLUTCH	1
14	100103352	SLEEVE CLUTCH	1
15	100103350	FIXING RING CLUTCH	1
16	100103340	WASHER	1
17	100103348	SPACER SLEEVE CLUTCH	1
18	100303503	ASSY PRIMARY CLUTCH	1
19	100031847-0006	SCREW M5X8	3
20	100103460	COVER PRIMARY CLUTCH	1
21	100100528	LOCK NUT PRIMARY CLUTCH	1
22	100103343	DISH WASHER CLUTCH	1
23	100103459	STOP WASHER PRIMARY CLUTCH	1
24	100303533	DRIVE DISK PRIMARY CLUTCH	1
25	100103468	SHAKE ABSORBER	3
26	100303537	COUNTER WEIGHT SET PRIMARY CLUTCH	3
27	100203228	SPRING PRIMARY CLUTCH	3
28	100303507	STOP WASHER PRIMARY CLUTCH	3
29	100103461	CIRCLIP PRIMARY CLUTCH	3
30	100103462	CIRCLIP PRIMARY CLUTCH	1
31	100106533	WASHER DIA.29.5X0.8XDIA.38	1
32	100103471	INNER PLATE OVERRUNNING CLUTCH	1
33	100100637	PIN	6
34	100103467	SPRING	6
35	100108014	OUTER CASE PRIMARY CLUTCH	1
36	100103457	THRUST WASHER PRIMARY CLUTCH	1
37	100202930	OIL INSULATING CLUTCH	1
38	100011173-0003	BOLT M6X16	2
39	100303529	DRIVE DISK ASSY PRIMARY CLUTCH	1
40	100091360	CLUTCH ASSY	1

OIL PUMP



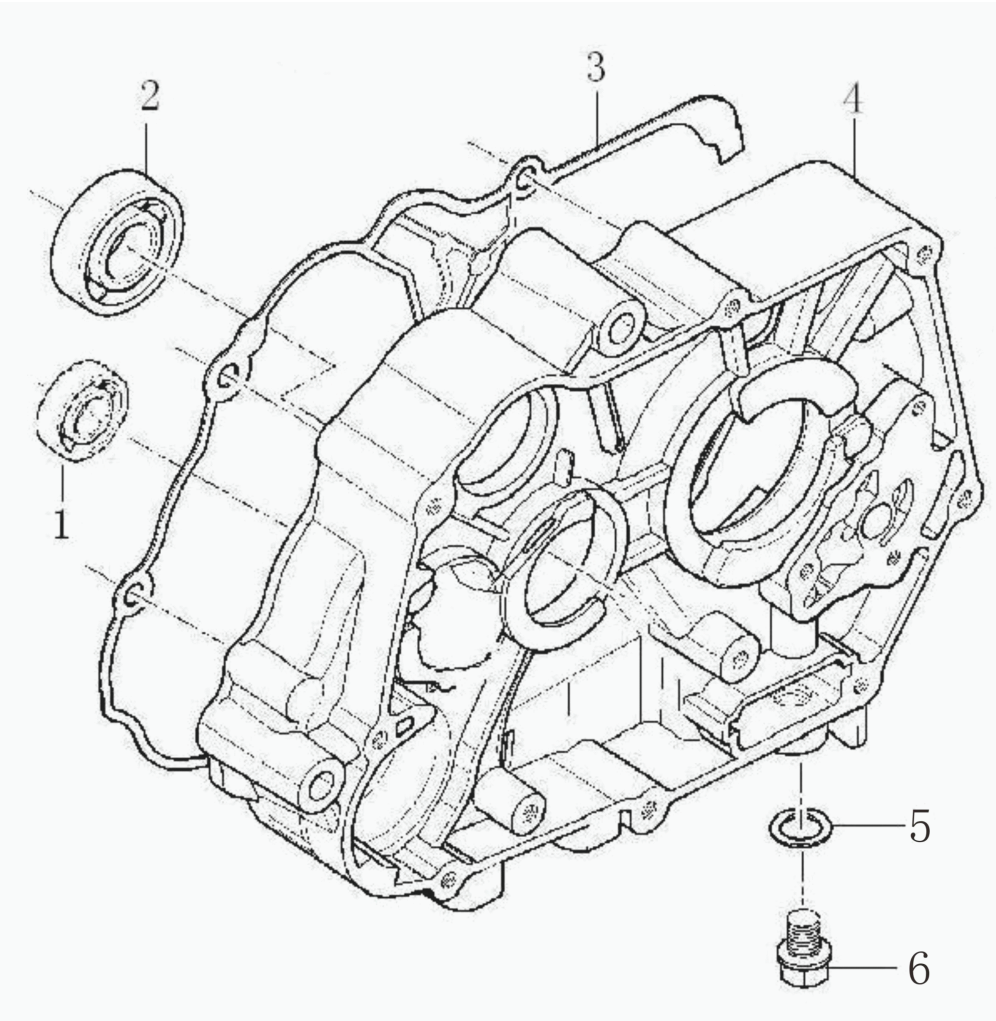
Ref. No.	Part No.	Description	Qty
			F
1	100104951	HUB DUMP CHAIN SPROCKET OIL PUMP	1
2	100104914	OIL PUMP SPROCKET SHAFT	1
3	100104916	BUSH SPROCKET	1
4	100104601	GASKET OIL PUMP	1
5	100204475	SHAFT OIL PUMP	1
6	100204573	INNER ROTOR OIL PUMP	1
7	100204600	OUTER ROTOR OIL PUMP	1
8	100204541	OIL PUMP BODY	1
9	100032890	PIN DIA.2.5X10	1
10	100100159	OIL PUMP COVER	1
11	100010953-0001	SCREW M5X10	3
12	100031854-0002	SCREW M6X22	1
13	100031852-0005	SCREW M6X16	2
14	100204455	OIL PUMP ASSY	1
15	100104941	STRAINER OIL PUMP	1

LEFT CRANKCASE



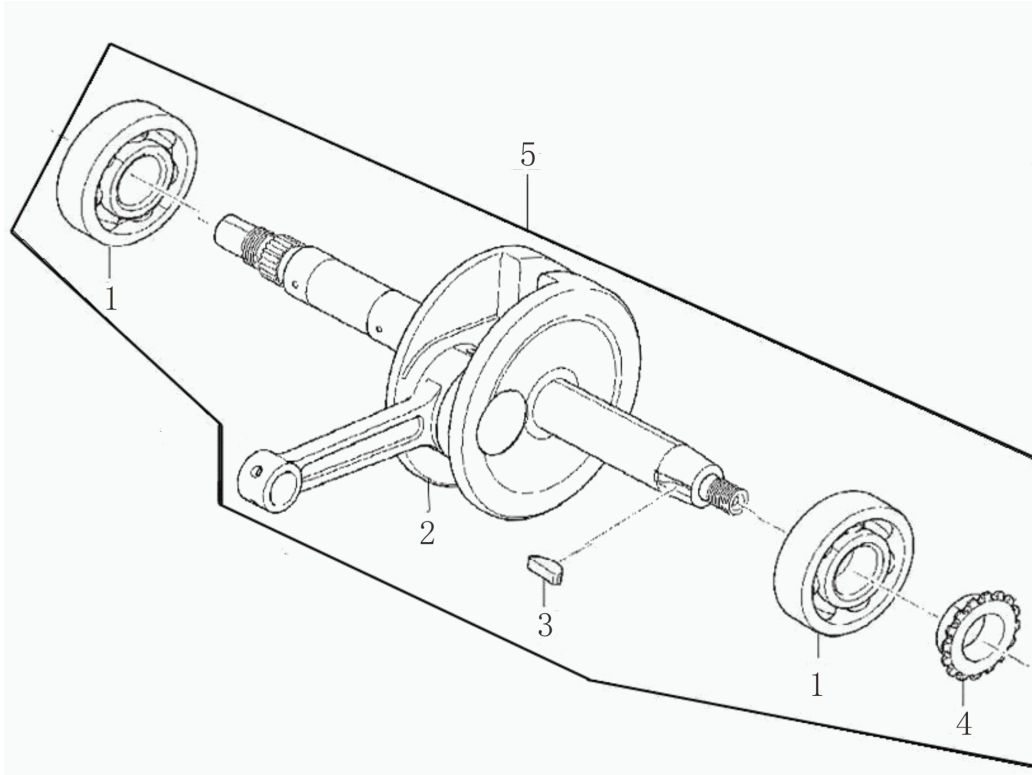
Ref. No.	Part No.	Description	Qty
			F
1	100102935-0014	LEFT CRANKCASE BLOCK	1
2	100010667	BEARING 6001	1
3	100010678	BEARING 6203	1
4	100102915-0005	CLIP OVERFLOW PIPE	1
5	100011542-0001	BOLT M6X60	2
6	100104647	OIL SEAL 11.6X24X10	1
7	100011540-0007	BOLT M6X50	1
8	100011543-0001	BOLT M6X65	4
9	100104696	OILS SEAL 17X29X5	1
10	100102729	DOWEL PIN DIA. 10X14	2

RIGHT CRANKCASE



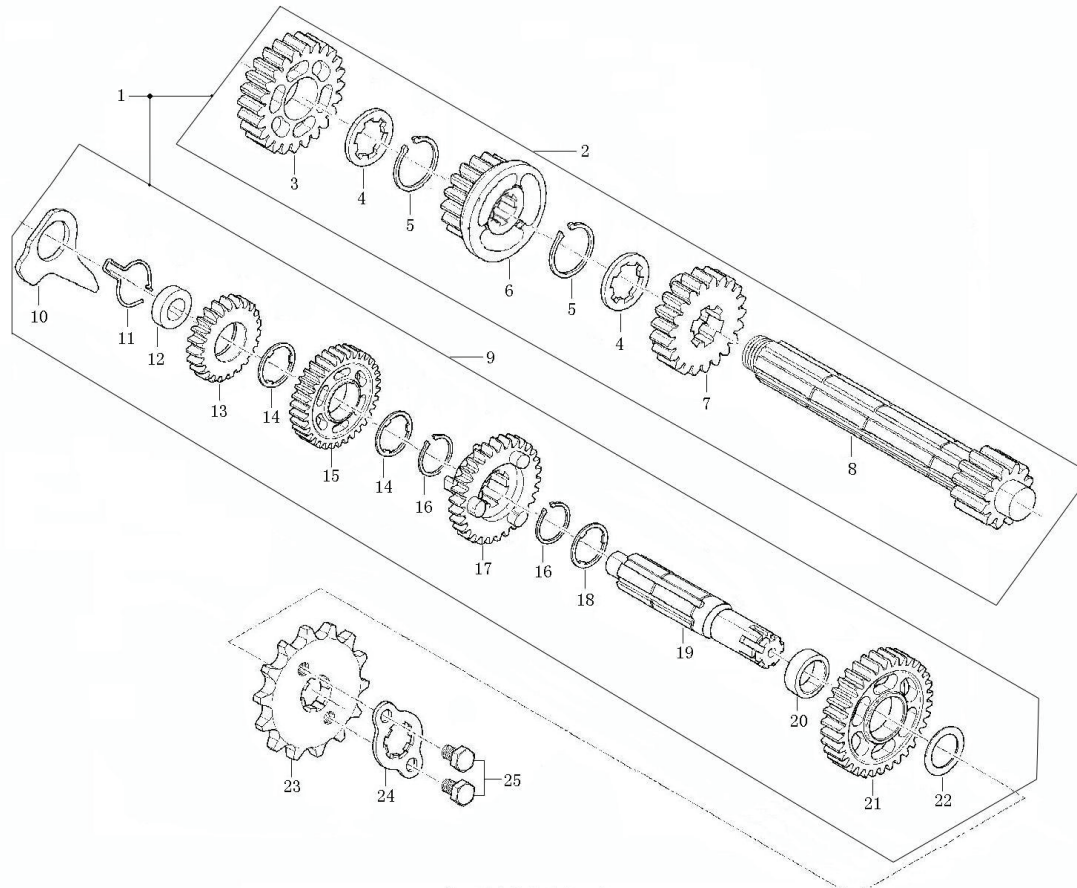
Ref. No.	Part No.	Description	Qty
			F
1	100010676	BEARING 6201	1
2	100010678	BEARING 6203	1
3	100208679	GASKET CRANKCASE	1
4	100103015-0016	RIGHT CRANKCASE BLOCK	1
5	100106548	WASHER DIA.12.1X2XDIA.20	1
6	100100331-0006	OIL DRAIN PLUG	1

CRANKSHAFT CONNECTING-ROD ASSY



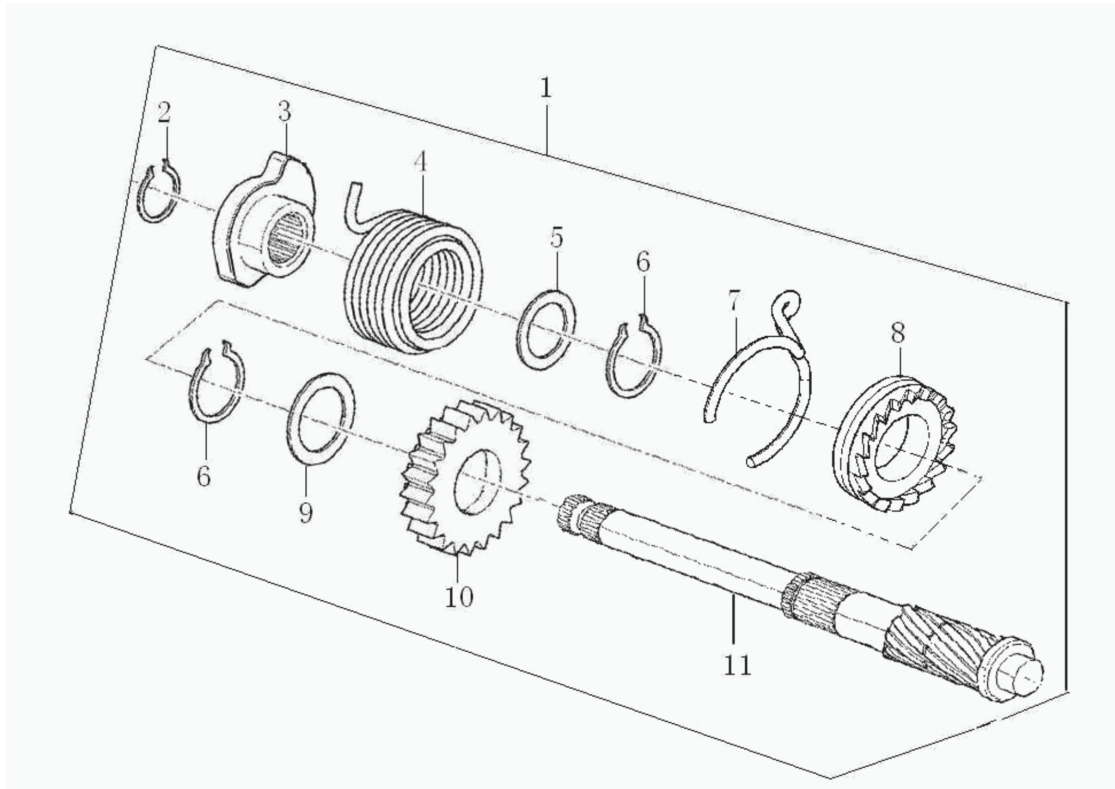
Ref. No.	Part No.	Description	Qty
			F
1	100010685	BEARING 6304	2
2	100207053	CONNECTING ROD COMP 3	1
3	100100639	SEMICIRCULAR KEY	1
4	100101953	HUB DUMP CHAIN SPROCKET	1
5	100068320	CRANKSHAFT CONNECTING ROD ASSY	1

TRANSMISSION MAIN, COUNTER SHAFT



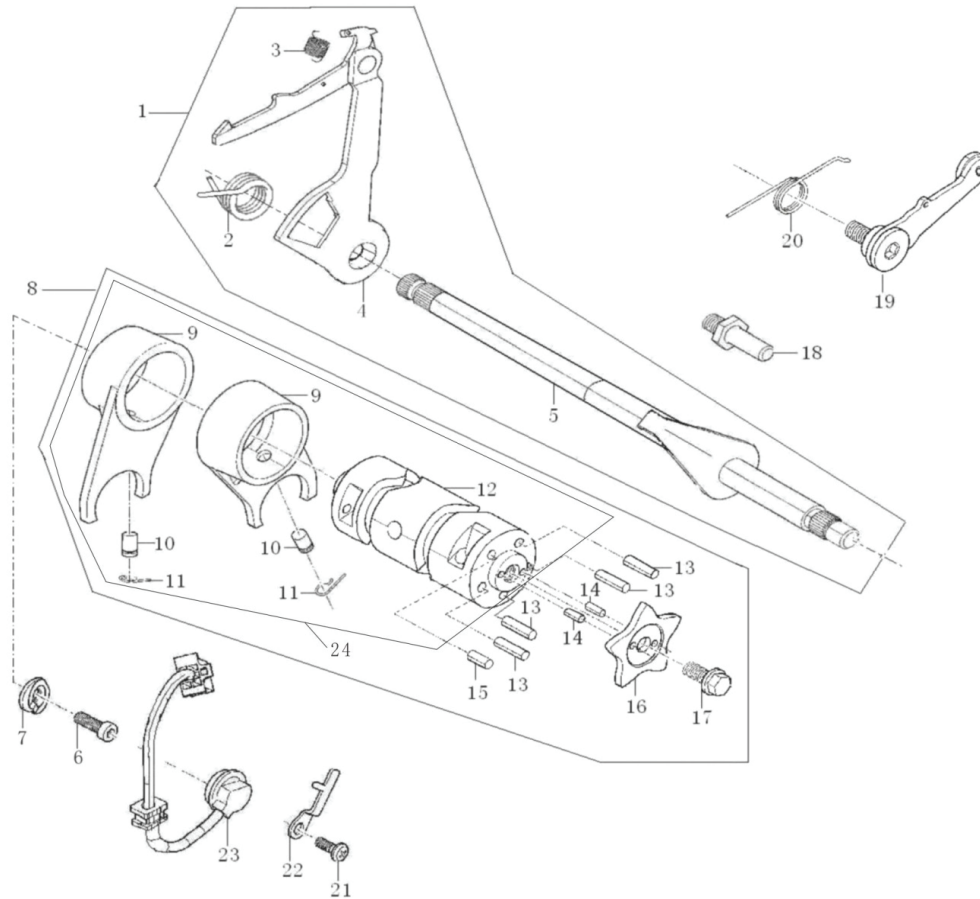
Ref. No.	Part No.	Description	Qty
			F
1	100203271	TRANSMISSION MAIN COUNTER SHAFT	1
2	100203420	MAIN SHAFT TRANSMISSION	1
3	100103604	GEAR M-4	1
4	100203476	WASHER	2
5	100011099	RETAINING RING 17	2
6	100103603	GEAR M-3	1
7	100103602	GEARM-2	1
8	100203459	TRANSMISSION MAIN SHAFT	1
9	100203526	COUNTERSHAFT TRANSMISSION	1
10	100203634	LIMIT PLATE GEARSHAFT	1
11	100203631	DAMPING SPRING COUNTERSHAFT	1
12	100103570	SLEEVE	1
13	100103709	GEAR C-4	1
14	100203475	WASHER	2
15	100103708	GEAR C-3	1
16	100100629	CHECK RING DIA.18.5X1.2XDIA.22	2
17	100103707	GEAR C-2	1
18	100103646	WASHER	1
19	100203588	TRANSMISSION COUNTERSHAFT	1
20	100103776	COLLAR 20X9	1
21	100103706	GEAR C-1	1
22	100106520	WASHER DIA.17.2X1.2XDIA.26	1
23	100103800	DRIVE SPROCKET	1
24	100203657	FIXING PLATE DRIVE SPROCKET	1
25	100031911-0004	BOLT M6X10	2

KICK STARTING SHAFT ASSEMBLY



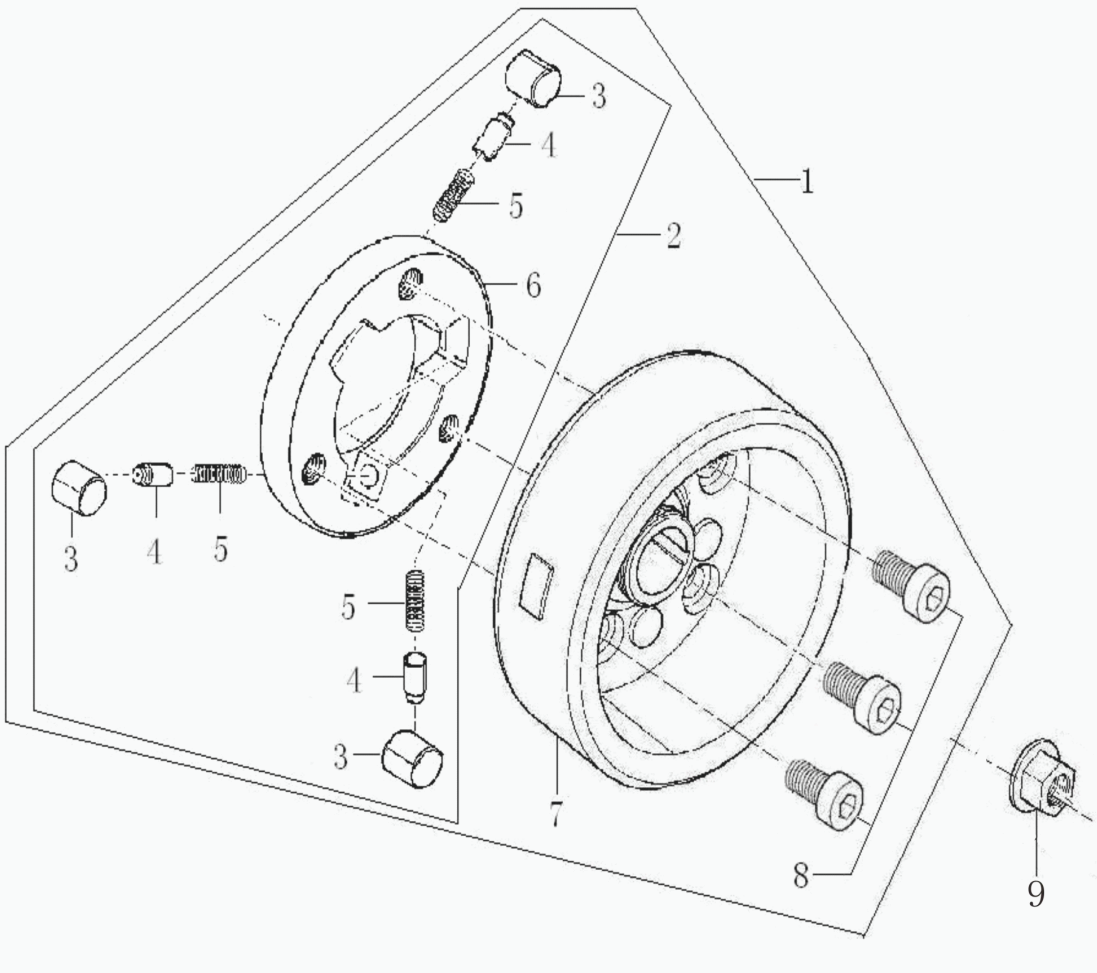
Ref. No.	Part No.	Description	Qty
			F
1	100201840	KICK STARTING SHAFT ASSY	1
2	100100595	CIRCLIP DIA. 15.5X1.2XDIA. 19	1
3	100105737	SEAT SPRING KICK STARTING SHAFT	1
4	100201899	RETURN SPRING KICK STARTING SHAFT	1
5	100106518	WASHER DIA. 17.2X1XDIA. 24	1
6	100100596	CIRCLIP DIA. 18.5X1.2XDIA. 21.1	2
7	100303348	SPRING KICK STARTING RATCHET WHEEL	1
8	100303337	STARTING RATCHET	1
9	100106527	WASHER DIA. 20.2X1XDIA. 27	1
10	100105767	GEAR KICK STARTER	1
11	100201907	PIVOT KICK STARTING SHAFT	1

GEARSHIFT MECHANISM



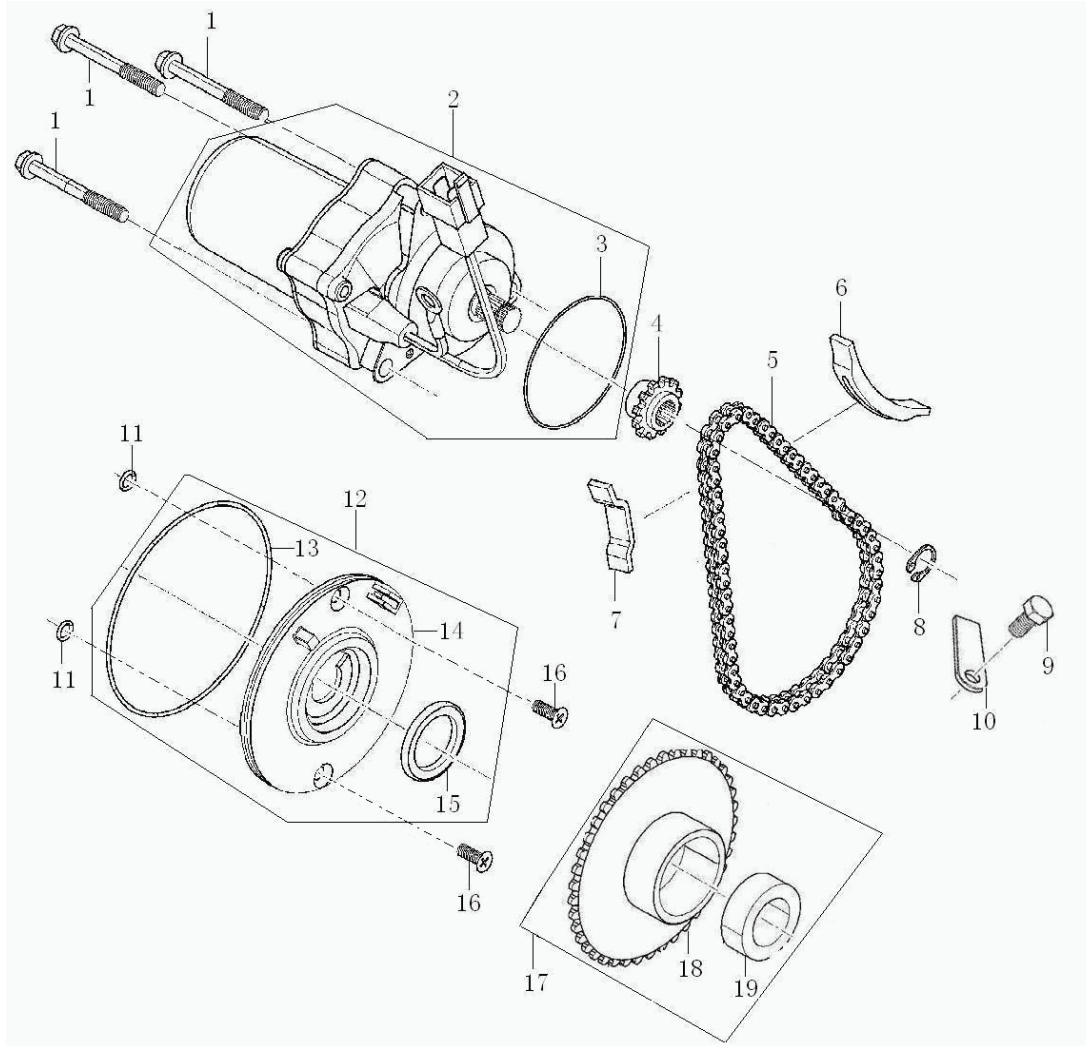
Ref. No.	Part No.	Description	Qty
			F
1	100203869-0001	GEAR SHIFT LEVER COMP	1
2	100203925	RETURN SPRING	1
3	100103996	GEARSHIFT LEVER TENSION SPRING	1
4	100203947	LIMIT SCREW	1
5	100203912	GEARSHIFT SHAFT COMP	1
6	100100465-0002	SCREW	1
7	100104486	CONTACT GEARINDICATION	1
8	100203779	GEARSHIFT DRUM COMP	1
9	100203714	GEARSHIFT FORK	2
10	100103891	GUIDE PIN	2
11	100103892	CLIP SPRING	2
12	100203822	GEARSHIFT DRUM	1
13	100100901	PIN DIA.4X13	4
14	100100888	PIN DIA.3X9	2
15	100100898	PIN DIA.4X9	1
16	100203806	STOPPING PLATE	1
17	100011264-0003	BOLT M6X16	1
18	100100392	BOLT RETURN SPRING FIXING 8X11	1
19	100203957	LOCATING PLATE ASSY	1
20	100103980	SPRING LOCATING PLATE	1
21	100031851-0004	SCREW M6X12	1
22	100104485	GEARSHIFT SWITCH PRESSING PLATE	1
23	100208384-0002	GEARSHIFT SWITCH LAMP	1
24	100163808	GEARSHIFH DRUM COMP	1

MAGNETO COMP



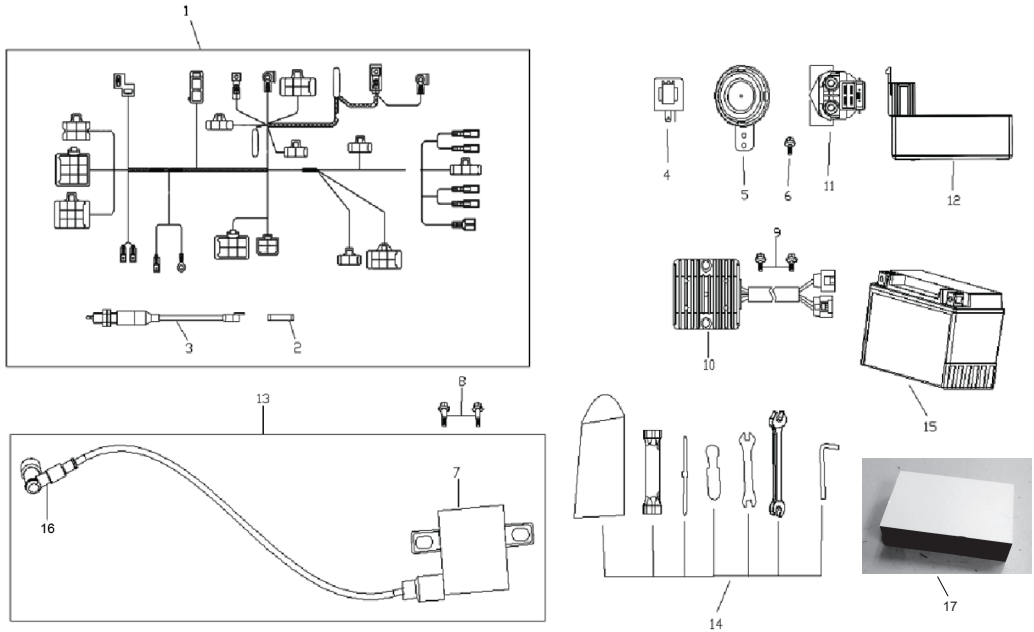
Ref. No.	Part No.	Description	Qty
			F
1	100733999	ROTOR ASSY MAGNETO	1
2	100103200	ASSY OVERRUNNING CLUTCH	1
3	100103211	CLUTCH ROLLER	3
4	100103213	CONE BLOCKAGE	3
5	100103210	SPRING	3
6	100202618	STARTING CLUTCH BODY	1
7	100746947	ROTOR ASSY MAGNETO	1
8	100010845-0001	BOLT M8X15	3
9	100204698-0001	NUT	1

ELECTRIC STARTING MECHANISM



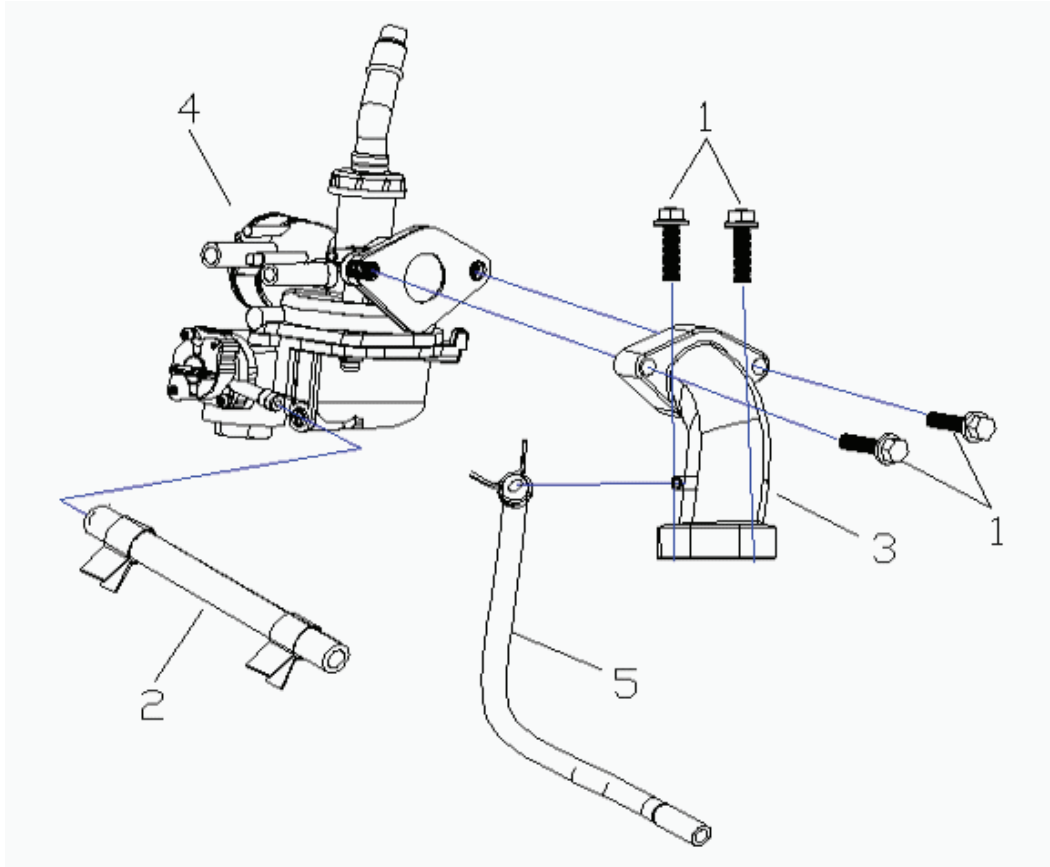
Ref. No.	Part No.	Description	Qty
			F
1	100011540-0007	BOLT M6X50	3
2	100205313-0014	STARTING MOTOR ASSY	1
3	100031594	O-RING DIA.52.5X2	1
4	100104271	SPROCKET	1
5	100103253	STARTING MOTOR DRIVE CHAIN	1
6	100103278	ASSY GUIDE PLATE	1
7	100103272	ASSY CHAIN PROTECT PLATE	1
8	100033003	RETAINING RING 11	1
9	100011171-0002	BOLT M6X12	1
10	100103247	PLATE START CLUTCH	1
11	100107799	O-RING DIA.6.5X1.8	2
12	100202677	DISK INSULATOR	1
13	100107650	O-RING DIA.106.8X2	1
14	100103246	DISK INSULATOR	1
15	100104777	OIL SEAL 30X42X4.5	1
16	100123471-0001	SCREW M6X16	2
17	100202694	PLATE GEAR ASSY	1
18	100202720	PLATE GEAR ASSY	1
19	100104785	OIL SEAL 19X30X5	1

ELECTRICAL PARTS



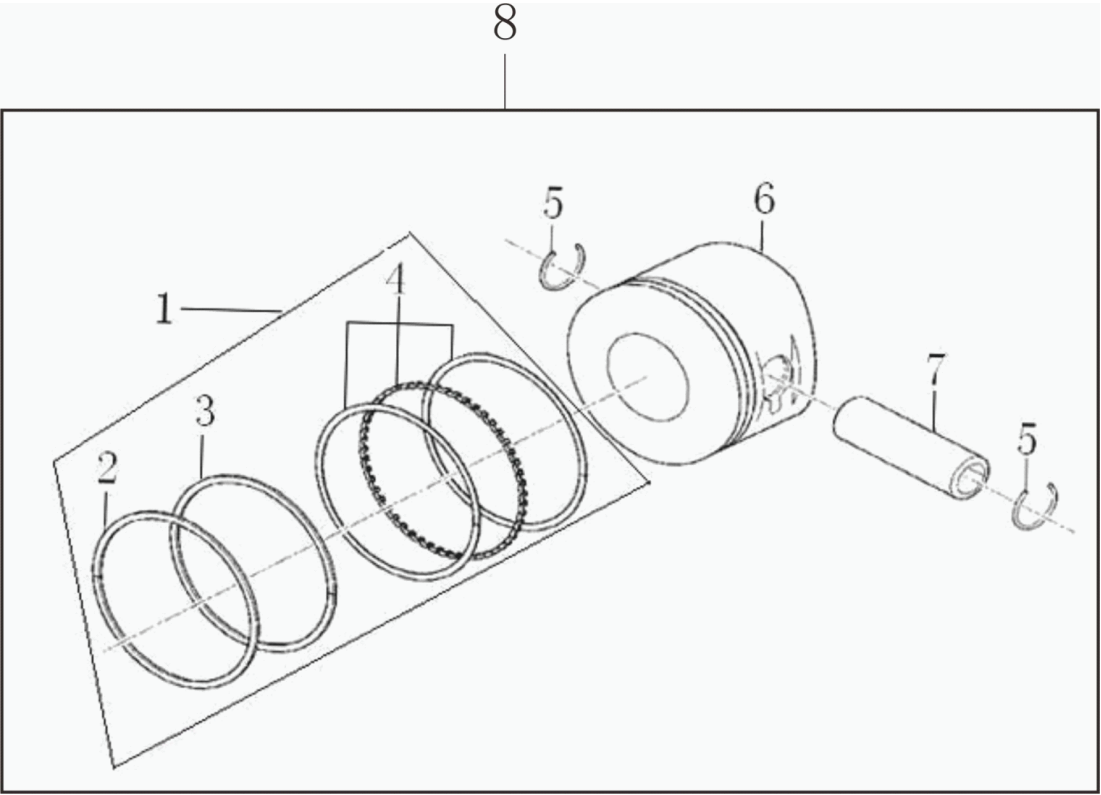
Ref. No.	Part No.	Description	Qty
			F
1	85100-H418-C00006	MAIN CABLE	1
2	85171-0000-0000	FUSE 10A	1
3	84600-H418-C000	SWITCH REAR BRAKING LAMP	1
4	85600-I126-C10001Q	FLASHER	1
5	85500-H259-010001	HORN	1
6	B057890006000871X	BOLT M6X8	1
7	81120-H418-0000	IGNITION COIN BUNDLE	1
8	B057830005001671X	M5X16	2
9	B057890006001271X	BOLT M6X12	2
10	83100-H259-C000Q	RECTIFIER	1
11	82290-I258-000002	STARTING RELAY	1
12	81200-H670-0000Q	IGNITOR	1
13	81100-H418-0000Q	IGNITION COIL	1
14	06000-I126-03000CQ	VEHICLE TOOLS	1
15	26012-519-0022	BATTERY	1
16	81110-I357-0000	SPARK PLUG CAP	1
17	92160-519-0058	DAMPER BATTERY	1

CARBURETOR/INTAKE PIPE



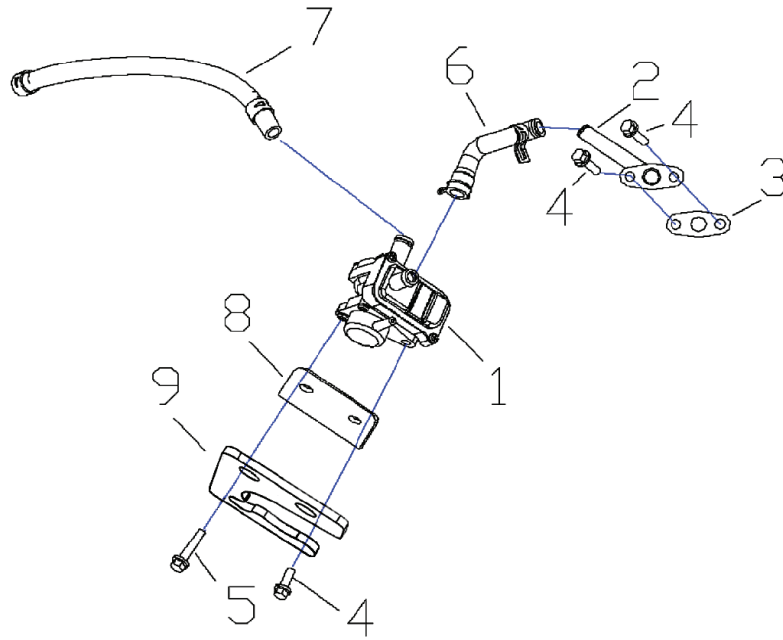
Ref. No.	Part No.	Description	Qty
			F
1	B166740106002571X	BOLT M6X25	4
2	613140070ZGT0000XQ	OIL PIPE ASSY 4X8X70	1
3	15800-H327-0000Q	INTAKE PIPE	1
4	17100-0000-030014	CARBURETOR	1
5	613140120ZGT0000XQ	OIL PIPE ASSY 4X8X120	1

PISTON



Ref. No.	Part No.	Description	Qty
			F
1	100303082	PISTON RING COMP	1
2	100206378	PISTON RING 1	1
3	100206436	PISTON RING 2	1
4	100054745	OIL RING ASSY	1
5	100100580	CHECK RING PISTON RING	2
6	100101356	PISTON	1
7	100101506	PIN PISTON	1
8	100152950	PISTON ASSY	1

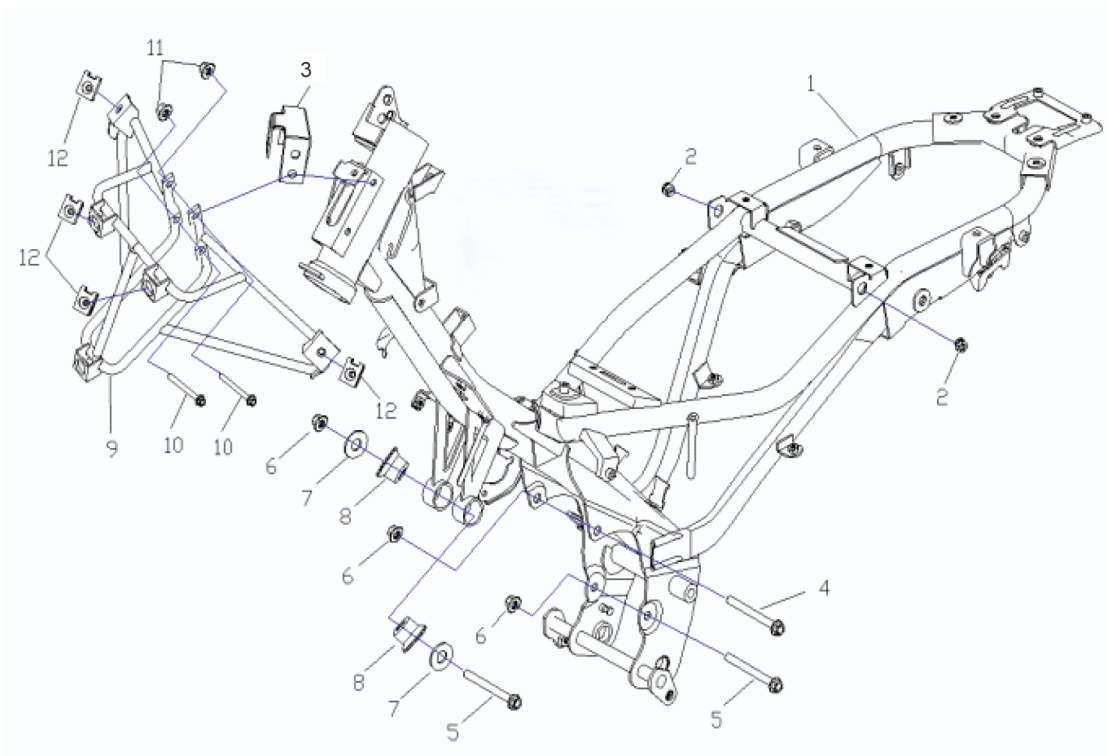
AIR PUMP



Ref. No.	Part No.	Description	Qty
			F
1	18090-G011-020002	AIR PUMP	1
2	1809B-G011-02000YQ	EXHAUST IRON PIPE ASSY	1
3	90268-DA80-0000	EXHAUST IRON PIPE SEAL PAD	1
4	B166740106001671X	BOLT M6X16	3
5	B166740106002571X	BOLT M6X25	1
6	18092-0000-A001Q	EXHAUST RUBBER PIPE	1
7	18092-0000-970002	PIPE 9X15X(30+140)	1
8	90275-I008-0000	SECONDARY AIR PUMP BRACKET	1
9	18089-G011-0400Q	AIR SUPPLY PUMP BRACKET	1

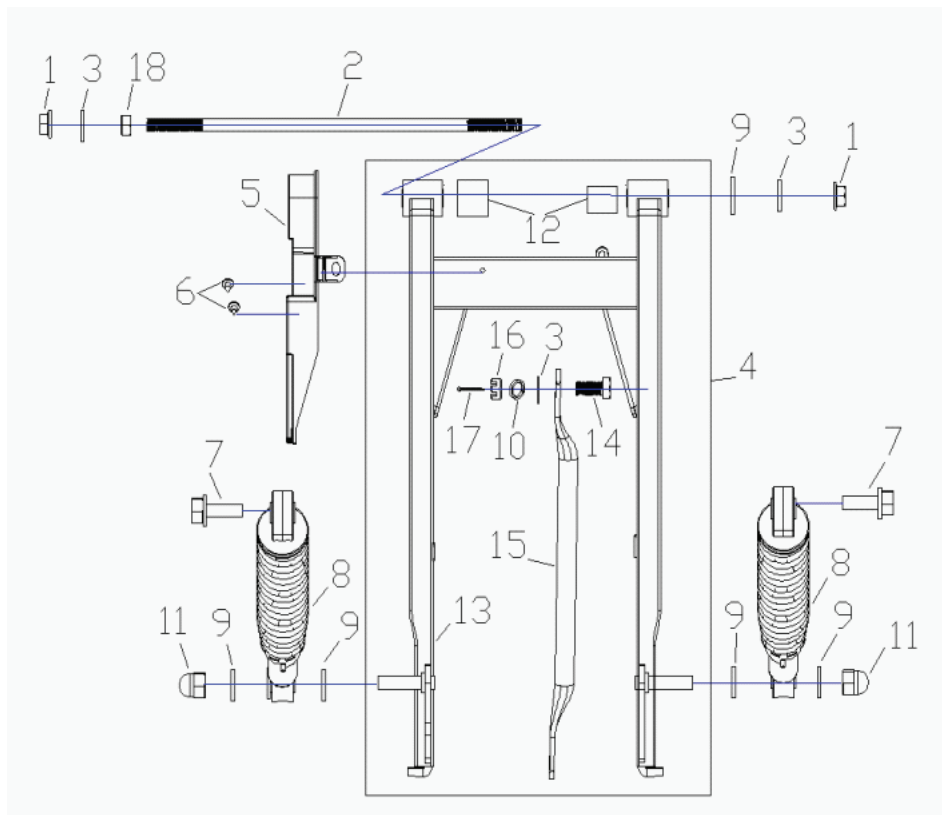
FRAME GROUP 4

FRAME



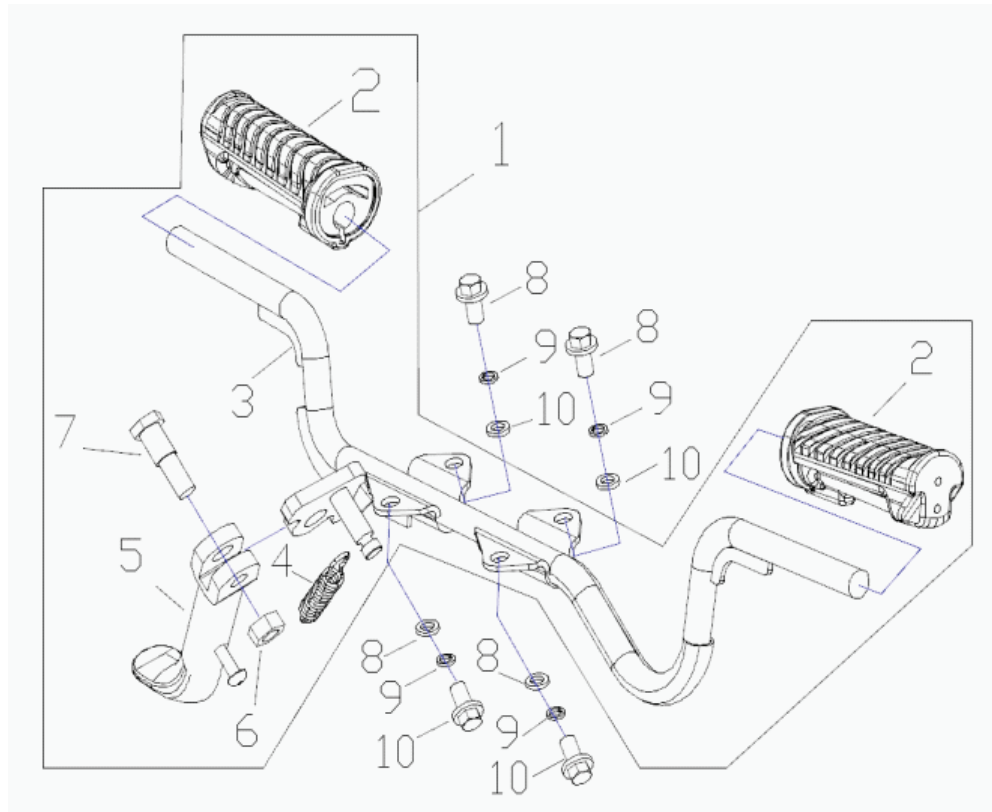
Ref. No.	Part No	Description	Qty
1	31100-H418-060001	FRAME	1
2	63342-H206-0100Q	RUBBER PLUG VEHLCE	2
3	63437-H418-000003	BRACKET MAIN CABLE	1
4	B0578900080100T1X	BOLT M8X100	2
5	B0578900080115T1X	BOLT M8X115	1
6	B061870108000061X	NUT M8	3
7	B0009601080000K1X	WASHER 8	2
8	31221-H206-0100Q	FRONT SUSPENSION RUBBER PLUG	2
9	31203-H418-020003	BRACKET FRONT COVER	1
10	B166740106005571X	BOLT M6X55	2
11	B061770106000061X	NUT M6	2
12	91218-1060-022T0U	CLIP M6X22.3X15	3

REAR SWING ARM/REAR ABSORBER



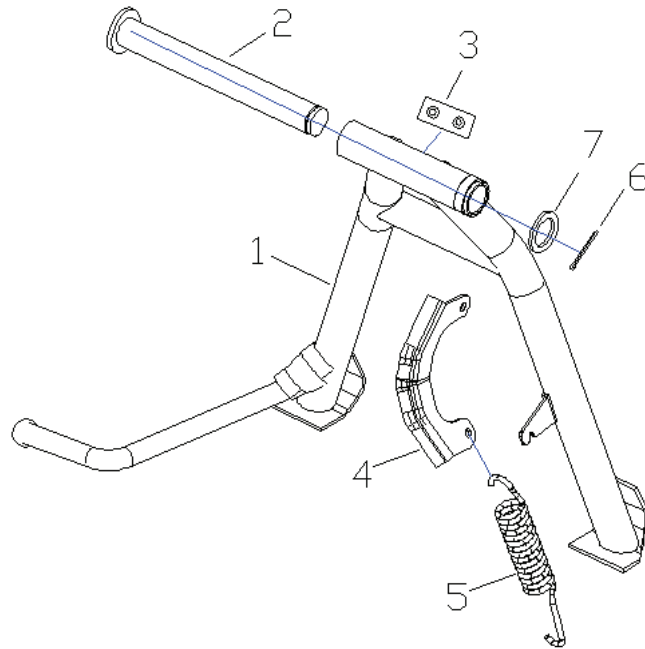
Ref. No.	Part No.	Description	Qty
			F
1	B061870210000061X	NUT M10X1.25	2
2	35281-H0E5-000001	SHAFT, FORK	1
3	B0009701100000K1X	PLANE WASHER 10	2
4	35200-H418-010003	FORK ASSEMBLY	1
5	35001-H206-0000Q	PROTECTING CLIP CHAIN	1
6	9A133-1042-013X1X	SELF TAPPING SCREW ST4.2X13	2
7	B057892010003771X	BOLT M10X1.25X37	2
8	33300-H670-C00072	REAR ABSORBER SHOCK	2
9	91301-0100-25021X	PLANE WASHER 10XDIA.25-2	5
10	B000930008000001X	SPRING WASHER 10	1
11	B009230010000061X	CAP NUT M10X1.25	2
12	3520B-H418-000000	SHAFT BUSH SUB ASSY	2
13	3520A-H418-010001	FORK WELDING ASSY	1
14	35214-G124-000002	CONNECTING BOLT	1
15	35215-G124-00006N	POSITIONING PIPE REAR BRAKE	1
16	B061800008000061X	NUT M8	1
17	B000910002001601X	OPENING PIN 2X16	1
18	B061710010000061X	NUT M10X1.25	1

FRONT FOOTPEG



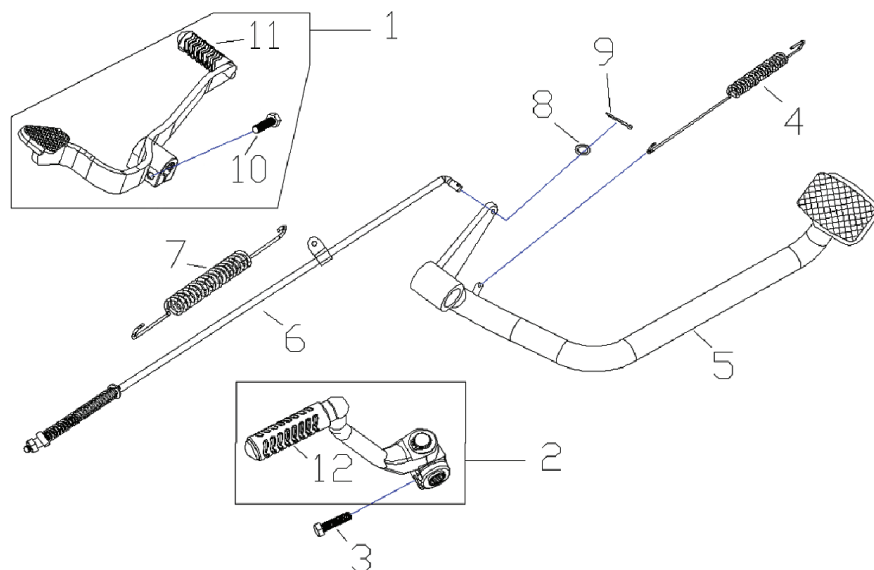
Ref. No.	Part No.	Description	Qty
			F
1	32100-H261-000002	FRONT FOOTPEG ASSEMBLY	1
2	32101-H0E5-0100	RUBBER BUSH FRONT FOOTPEG	2
3	32147-H261-000001	WELDING COMPONENTS FRONT FOOTPEG	1
4	32102-H206-0000	SPRING SIDE BRACKET	1
5	32130-H261-000002	WELDING ASSY SIDE STAND	1
6	B061710010000061X	NUT M10X1.25	1
7	32131-H206-00000B	BOLT SIDE BRACKET	1
8	B057890008002071X	BOLT M8X20	4
9	B000930008000001X	SPRING WASHER 8	4
10	B0009701080000K1X	PLANE PAD	4

MAIN BRACKET



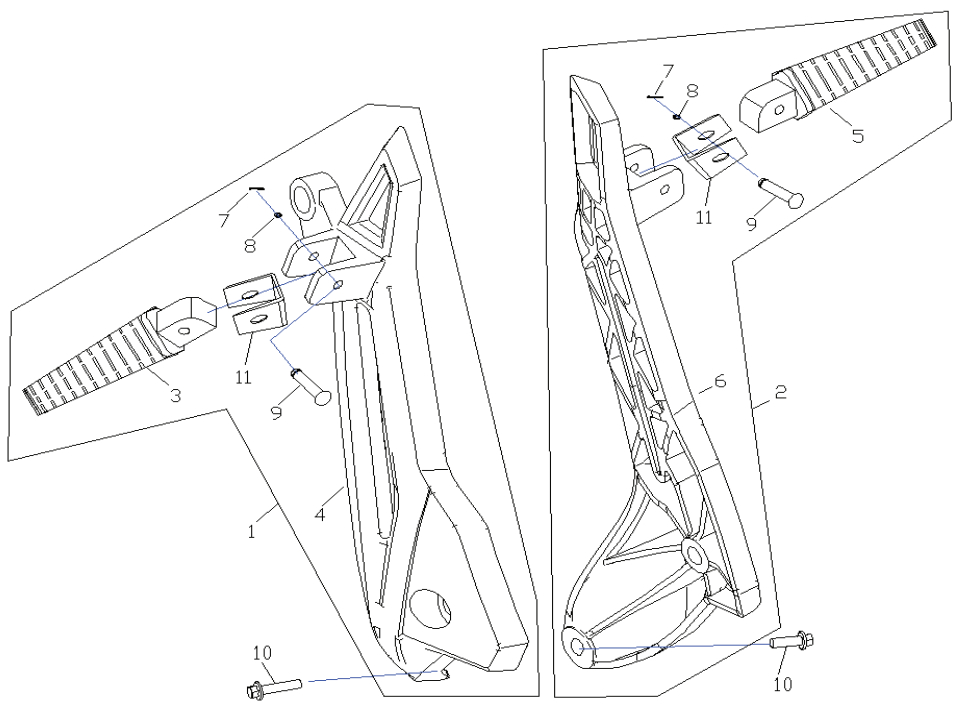
Ref. No.	Part No	Description	Qty
			F
1	32200-H0E5-010002	MAIN BRACKET	1
2	32281-H206-000001	SHAFT MAIN BRACKET	1
3	32204-H206-0100Q	DAMPING PAD MAIN BRACKET	1
4	32203-H206-000002	HOOK MAIN BRACKET	1
5	32202-H206-000002	SPRING MAIN BRACKET	1
6	B008940117000001X	CLIP SHAFT	1
7	91301-0170-23021X	WASHER DIA.17X23X1.5	1

FOOT CONTROL PARTS



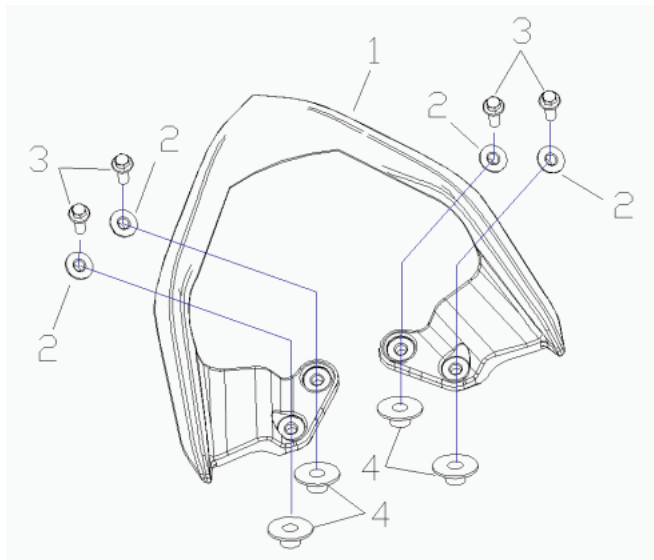
Ref. No.	Part No.	Description	Qty
			F
1	24400-G129-00000GQ	GEAR SHIFT FOOTPEG	1
2	21200-H0E5-000006	STARTING ARM	1
3	B057830006002571X	BOLT M6X25	1
4	84602-H206-000002	SWITCH SPRING REAR BRAKING LAMP	1
5	52100-H259-020002	REAR BRAKING LEVER	1
6	52200-H259-010002	PULL ROD REAR BRAKE	1
7	52105-H0E5-000004	RETURNING SPRING, REAR BRAKER	1
8	B0009701060000K1X	PLANE PAD 6	1
9	B000910002001601X	OPENING PIN 2X16	1
10	B057830006002071X	BOLT M6X20	1
11	24425-I126-C000	RUBBER BUSH GEAR SHIFT FOOTPEG ROD	1
12	21208-H259-0000	RUBBER BUSH STARTING ARM	1

REAR PEDAL



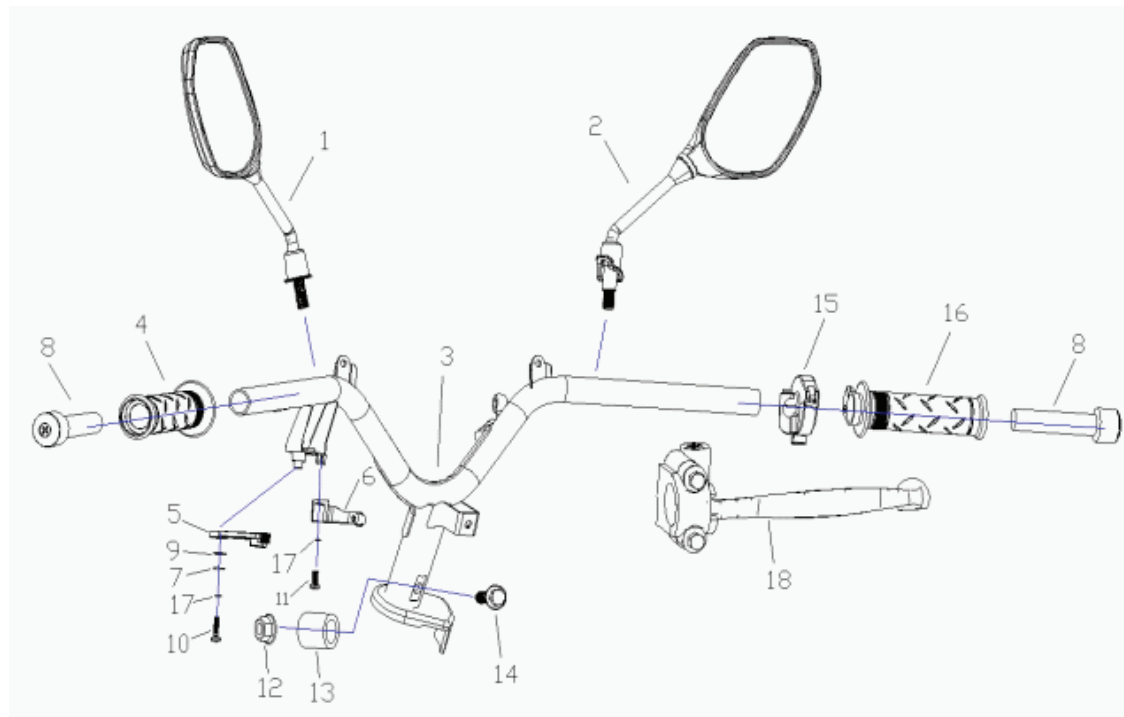
Ref. No.	Part No.	Description	Qty
			F
1	32420-H0E5-050003	RIGHT REAR PEDAL ASSY	1
2	32410-H0E5-050004	LEFT REAR PEDAL ASSY	1
3	3210T-H0E5-000001	RIGHT REAR PEDAL	1
4	32425-H0E5-030002	BRACKET RIGHT REAR PEDAL	1
5	3210U-H0E5-000001	LEFT REAR PEDAL	2
6	32415-H0E5-030002	BRACKET LEFT REAR PEDAL	1
7	B000910002001601X	OPEN PIN 2X16	2
8	B0009701060000K1X	WASHER 6	2
9	32471-H870-C00001	PIN SHAFT	2
10	B057890008002071X	BOLT M8X20	2
11	42359-H0E5-000001	U-SHAPED LIMIT BLOCK OF REAR PEDAL	1

REAR ARMREST



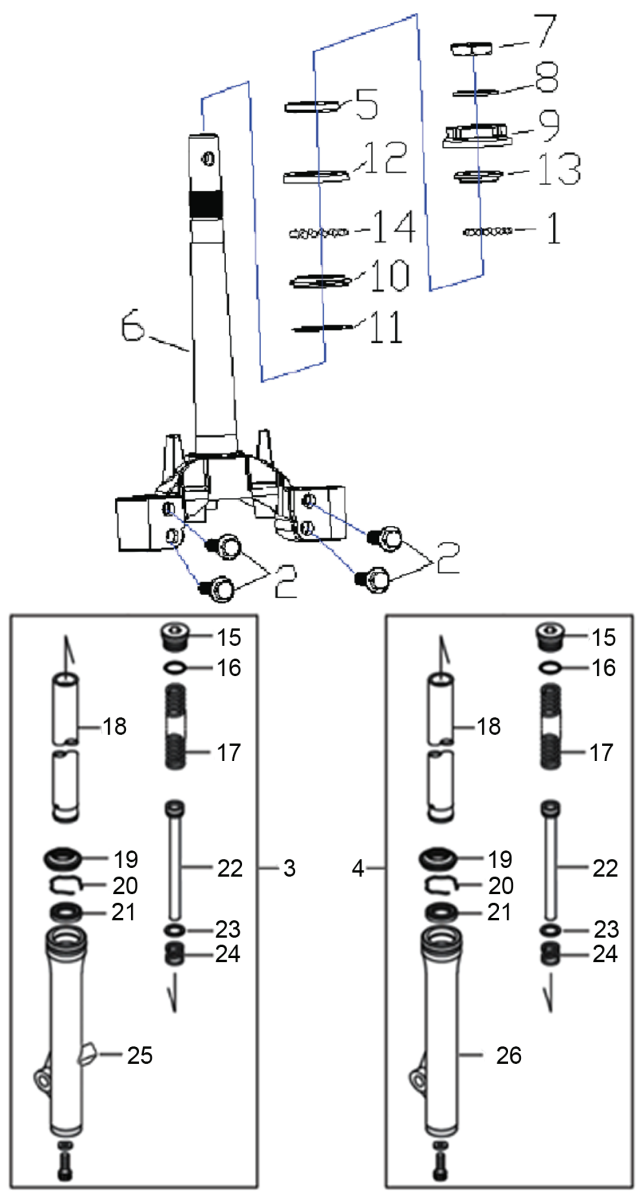
Ref. No.	Part No.	Description	Qty
			F
1	42200-H418-010002	GROUPWARE REAR ARMREST	1
2	B0009701080000K1X	WASHER 8	4
3	B0578900080040T1X	BOLT M8X40	4
4	91302-9080-24091X	FLANGED WASHER 8X24X9	4

HANDLEBAR/REAR VIEW MIRROR



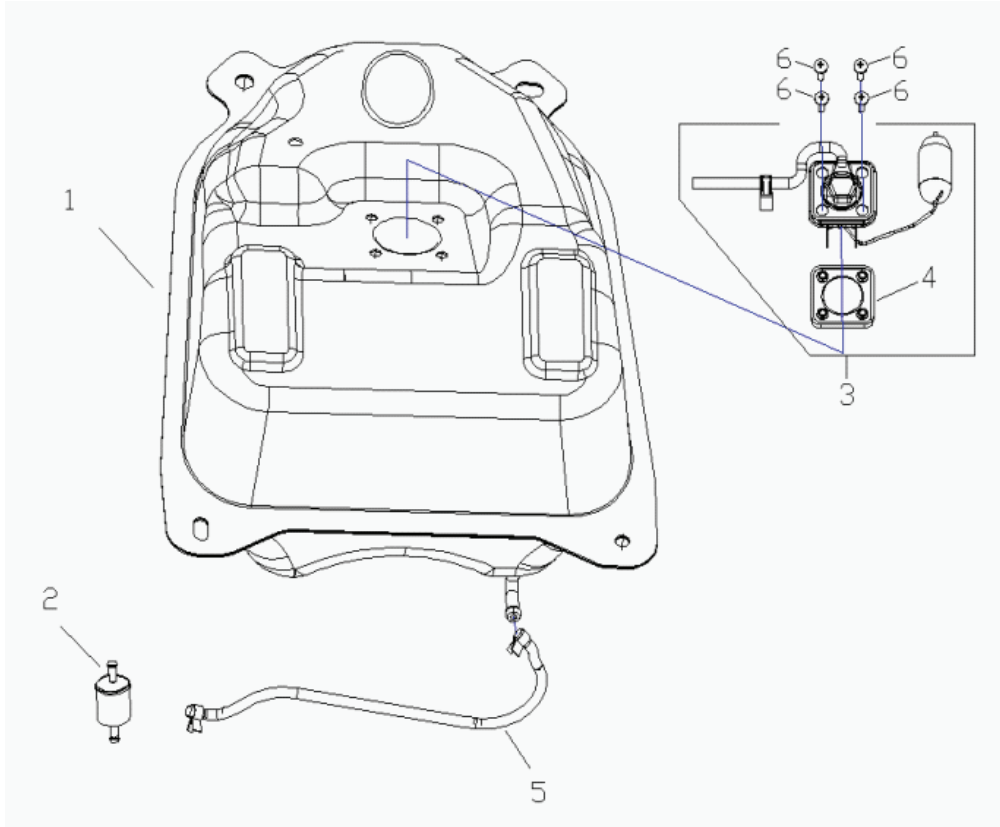
Ref. No.	Part No.	Description	Qty
			F
1	69110-H0P8-000005	LEFT REAR VIEW MIRROR	1
2	69120-H0P8-000005	RIGHT REAR VIEW MIRROR	1
3	72100-H0E5-010001	TUBE, STEERING HANDLEBAR	1
4	72010-H206-0100Q	RUBBER BUSH, LEFT HANDLEBAR	1
5	72208-H259-0100Q	HANDLEBAR, CHOKE	1
6	72207-H206-0100Q	BRACKET, CHOKE	1
7	72215-H206-0100Q	SKIDPROOF GASKET, CHOKE	1
8	72032-H0E5-000004	DECORATION HEAD PART	2
9	B0009601050000K1X	PLANE PAD 5	1
10	B008180005001621X	SCREW M5X16	1
11	B008180005001221X	SCREW M5X12	1
12	B061870210000061X	NUT M10X1.25	1
13	72118-0000-00001XQ	LOCKING BUSH, STEERING HANDLEBAR TUBE	1
14	B057892010005071X	BOLT M10X1.25X50	1
15	17010-H206-0100Q	FIXING SEAT, OILER	1
16	72020-H206-0100Q	RUBBER BUSH ASSEMBLY RIGHT HANDLEBAR	1
17	B000930005000001X	SPRING WASHER 5	1
18	72309-H259-000067	HANDLE FRONT BRAKE	1

STREERING STEM/FRONT ABSORBER



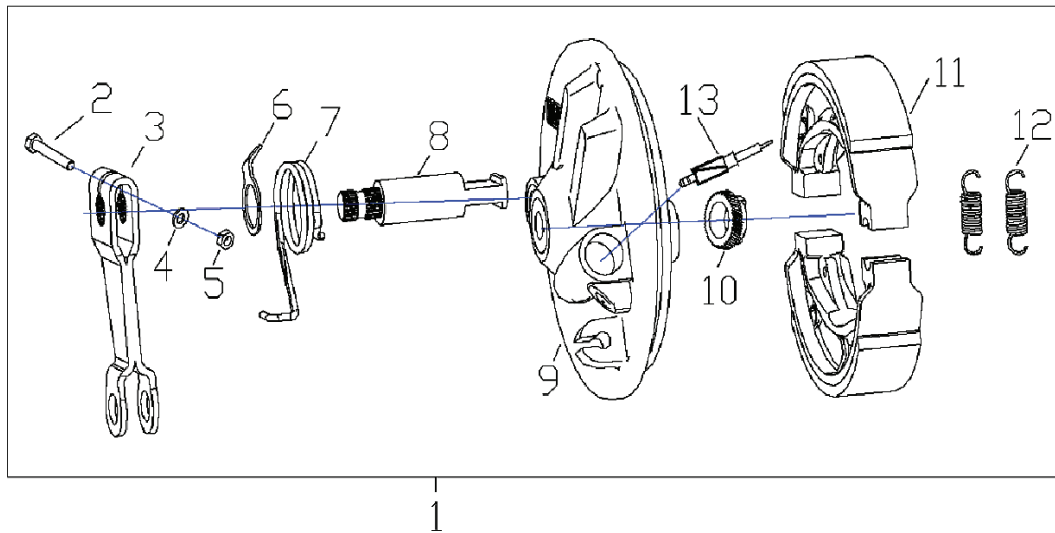
Ref. No.	Part No.	Description	Qty
			F
1	71208-H418-0000	UPPER RETAINING BRACKET	1
2	B057892010004571X	BOLT 10X1.25X45	4
3	34100-H670-030091	LEFT FRONT ABSORBER	1
4	34200-H670-030091	RIGHT FRONT ABSORBER	1
5	71202-G124-0000	LOWER CHECK BEARING 34	1
6	7110A-H259-030002	STEERING POST ASSY	1
7	71106-H206-00001XQ	LOCK NUT STEERING POST	1
8	71135-H206-00001XQ	CLIP RING STEERING ROD	1
9	71105-H206-00001XQ	ADJUSTING NUT STEERING POST	1
10	71204-G124-0000	LOWER SEAT BEARING 54	1
11	71123-H206-00001XQ	PLANE WASHER STEERING POST	1
12	71201-G124-0000	UPPER CHECK RING BEARING 26	1
13	71203-G124-0000	UPPER SEAT RING BEARING 45	1
14	71209-H418-0000	LOWER RETAINING BRACKET	1
15	34120-H670-000000	FR SHOCK ABSORBER END CAP PLUG	2
16	34121-H670-000000	FR S/ABSORBER END CAP PLUG O-RING	2
17	34102-H670-010000	FR DAMPING SPRING	2
18	3411A-H670-010000	FR SHOCK ABSORBER FORK TUBE ASSY	2
19	34105-H670-000000	FR SHOCK ABSORBER DUST COVER	2
20	34127-H670-000000	FR SHOCK ABSORBER OIL SEAL RETAINER	2
21	34107-H670-C000	FR DAMPING OIL SEAL	2
22	34112-H670-000000	FR SHOCK ABSORBER LOCATING TUBE	2
23	34103-H670-000000	FR SHOCK ABSORBER PISTON RING	2
24	34123-H670-000000	FR SHOCK ABSORBER BUFFER SPRING	2
25	34108-H670-010000	LH FR SHOCK ABSORBER BOTTOM CYL	1
26	34109-H670-010000	RH FR SHOCK ABSORBER BOTTOM CYL	1

FUEL TANK



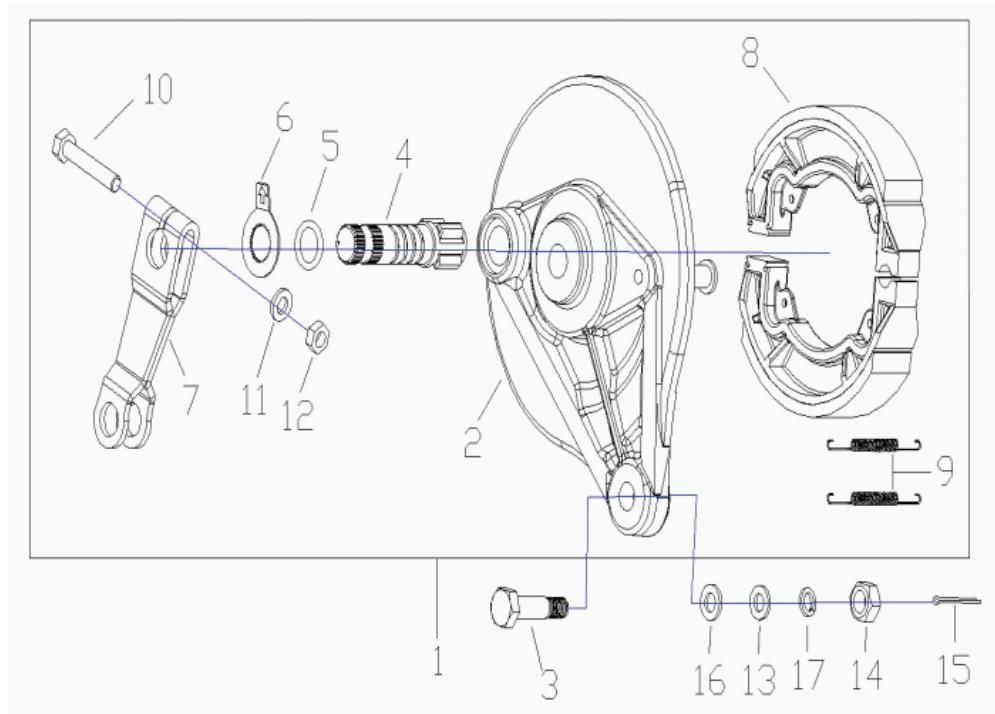
Ref. No.	Part No.	Description	Qty
			F
1	61100-H670-020001	FUEL TANK	1
2	61180-0000-050001	FUEL FILTER	1
3	87200-H670-0000	FUEL SENSOR	1
4	87201-H418-000002	SEAL RING SENSOR	1
5	613140650ZGT0000XQ	COMPOUND FUEL PIPE DIA.4X8X650	1
6	9A113-1050-01471X	SCREW M5X14	4

FRONT BRAKE



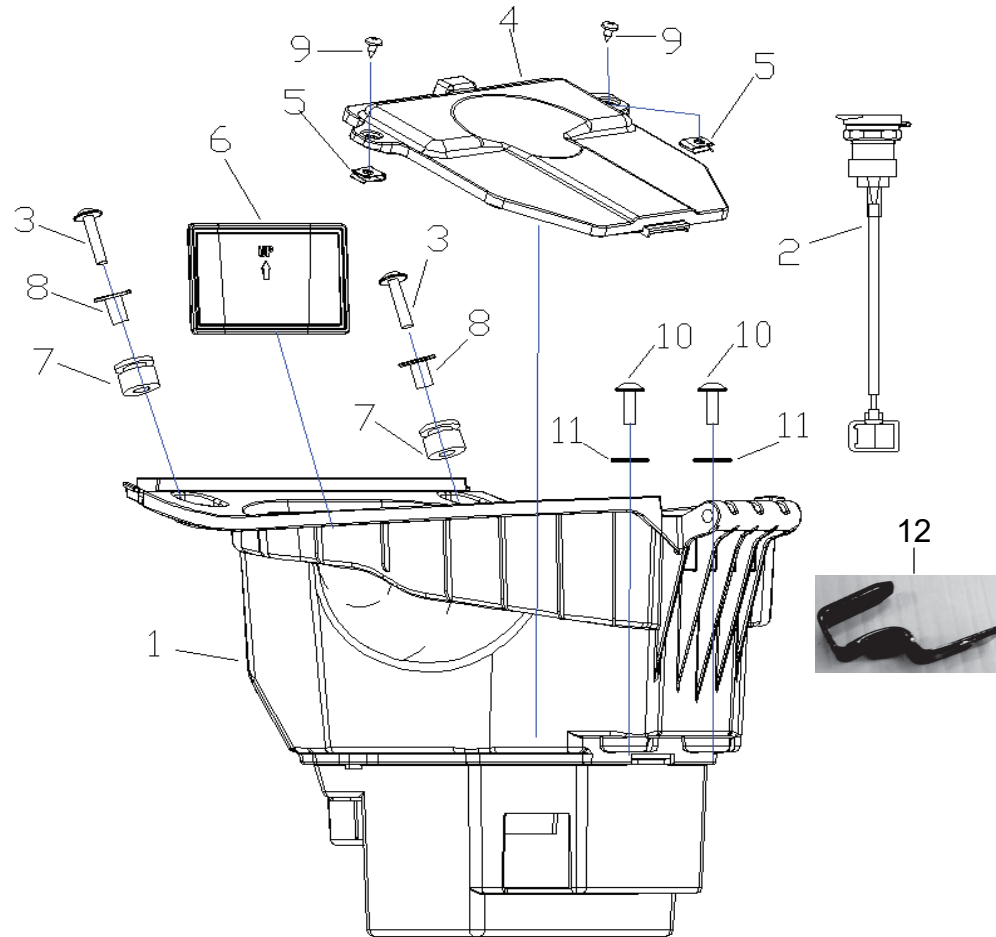
Ref. No.	Part No.	Description	Qty
1	54100-H206-050098	FRONT BRAKE	1
2	B057820006002571X	BOLT M6X25	1
3	54115-H206-000001	PULL ARM FRONT BRAKE	1
4	B0009701060000K1X	WASHER 6	1
5	B061770106000061X	NUT M6	1
6	54121-H206-000001	INDICATING BOARD FRONT BRAKE	1
7	54107-H206-000001	RETURNING SPRING FRONT BRAKE	1
8	54112-H206-000001	CAM FRONT BRAKE	1
9	54140-H206-000090	COVER FRONT BRAKE	1
10	54168-H206-020001	HELICAL GEAR COMBINATION	1
11	54150-H206-0000	PAD FRONTBRAKE ASSY	1
12	54104-H206-0000	PULLSPRING, FRONTBRAKE	2
13	54114-H206-0000	FRONT BRAKE TACHOMETER GEAR SHAFT	1

REAR BRAKE



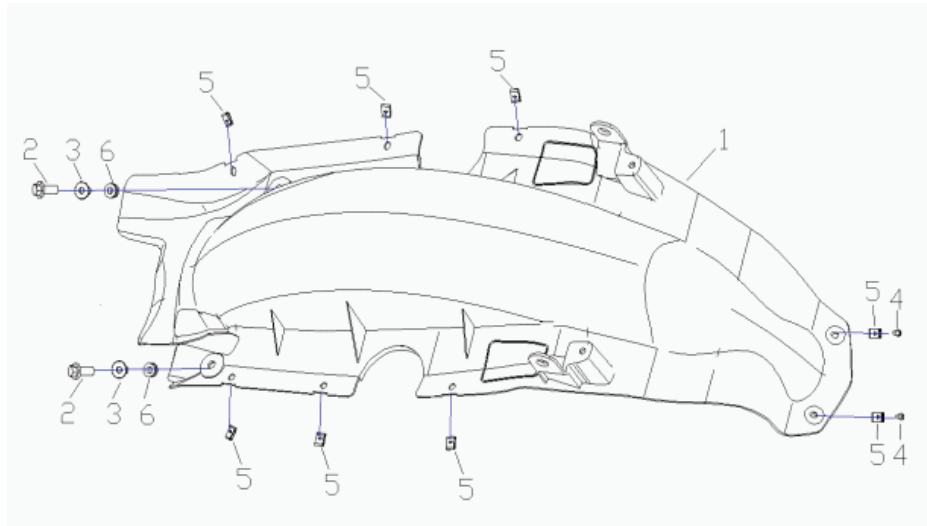
Ref. No.	Part No.	Description	Qty
			F
1	54200-H206-060004	REAR BRAKE	1
2	54205-H206-000001	CAP REAR BRAKE	1
3	91113-1080-13371X	BOLT M8X33(10X18)	1
4	54209-H206-00001X	CAM REAR BRAKE	1
5	54141-H206-0000	FELT FRONT BRAKE	1
6	54208-H206-00001X	INDICATINGBOARD REAR BRAKE	1
7	54207-H206-00001X	PULLING ARM REAR BRAKE	1
8	54220-H206-0200	PAD REAR BRAKE	2
9	54201-H206-0000	PAD SPRING REAR BRAKE	2
10	B057820006003571X	BOLT M6X35	1
11	B0009701060000K1X	WASHER 6	1
12	B061770106000061X	NUT M6	1
13	91301-9080-220K1X	WASHER 8X20X2	1
14	B061700008000061X	NUT M8	1
15	B000910002001601X	OPENING PIN 2X16	1
16	9131B-0000-0300Q	RUBBER PLANE PAD 10X21X4.5	1
17	B000930008000001X	SPRING WASHER 8	1

MIDDLE GOODS CASE



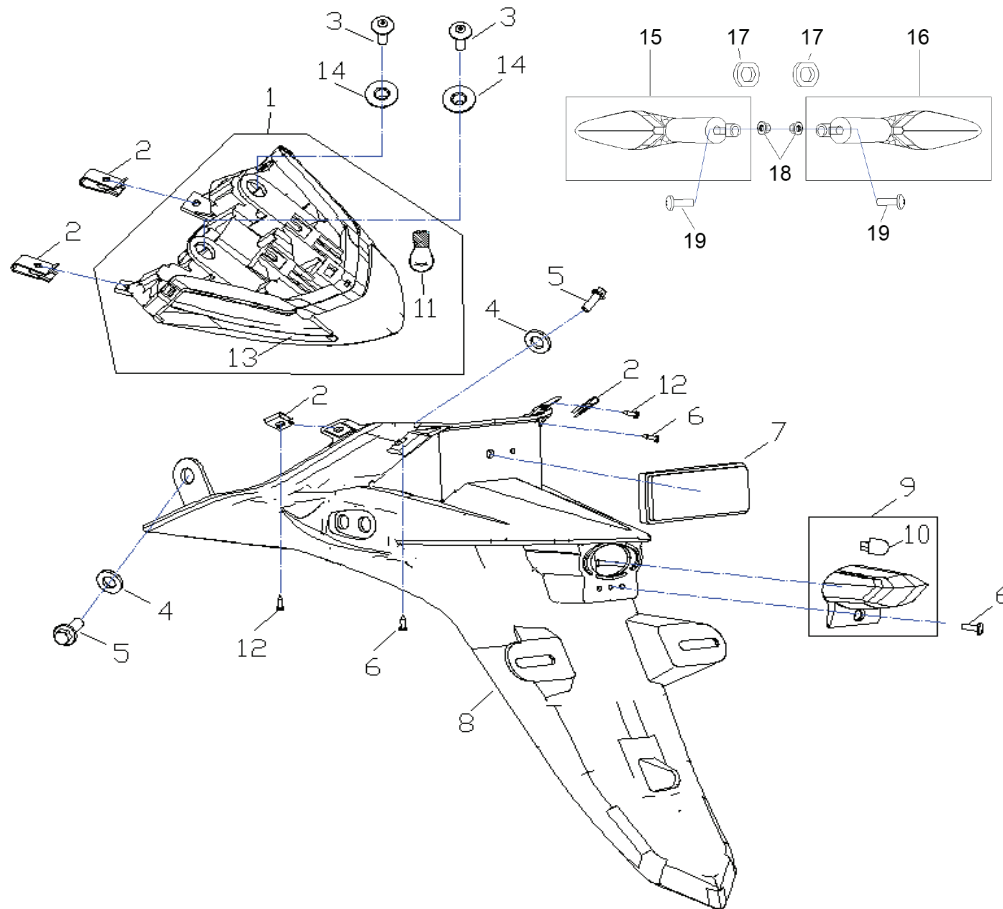
Ref. No.	Part No.	Description	Qty
			F
1	42600-H670-0000	MIDDLE GOODS CASE	1
2	82400-0000-0200	USB INTERFACE	1
3	B166740106003071X	BOLT M6X30	2
4	42603-H0E5-000002	CAP MIDDLE GOOD CASE	1
5	91205-1042-017T1X	CLIP ST4.2X17X11	2
6	62308-H670-0000	CAP FRAME NUMBER	1
7	42424-H670-0000Q	LOWER RUBBER PAD, SUNDRIES BOX	2
8	91302-9060-20161X	FLANGED WASHER DIA.6.5XDIA.20X18	2
9	9A133-1042-013X1X	SCREW ST4.2X13	2
10	B057890006001671X	BOLT M6X16	2
11	B0009601060000K1X	WASHER 6	2
12	13183-519-0146	HOOK HELMET	1

FRONT PART, REAR FENDER



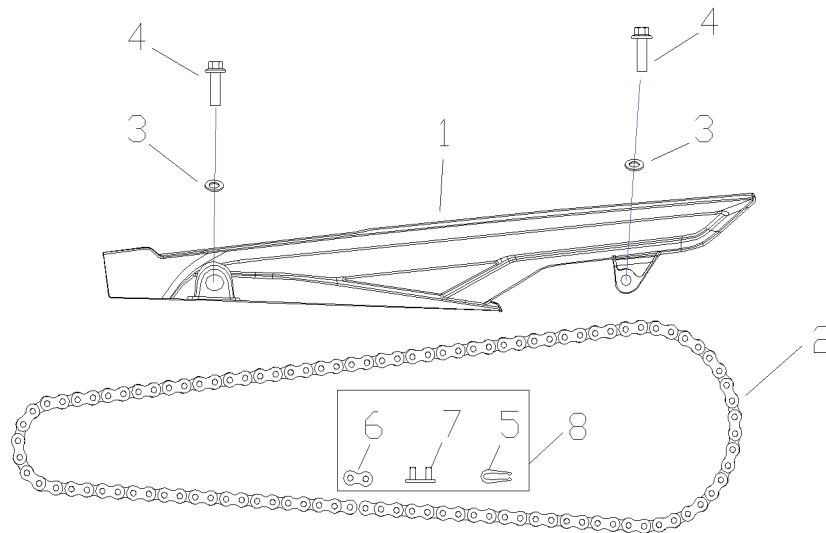
Ref. No.	Part No.	Description	Qty
			F
1	63201-H418-0000	FRONT PART, REAR FENDER	1
2	B166740106001671X	BOLT M6X16	2
3	91302-9060-18061X	FLANGED WASHER DIA.6X18-7	2
4	9A133-1042-013X1X	SCREW ST4.2X13	2
5	91205-1042-017T1X	CLIP ST4.2-17X11	8
6	6222B-0000-1200Q	RUBBER PAD DIA.8.5X12X17-2.5+3+2.5	2

REAR PART,REAR FENDER, TURNING LAMP REAR



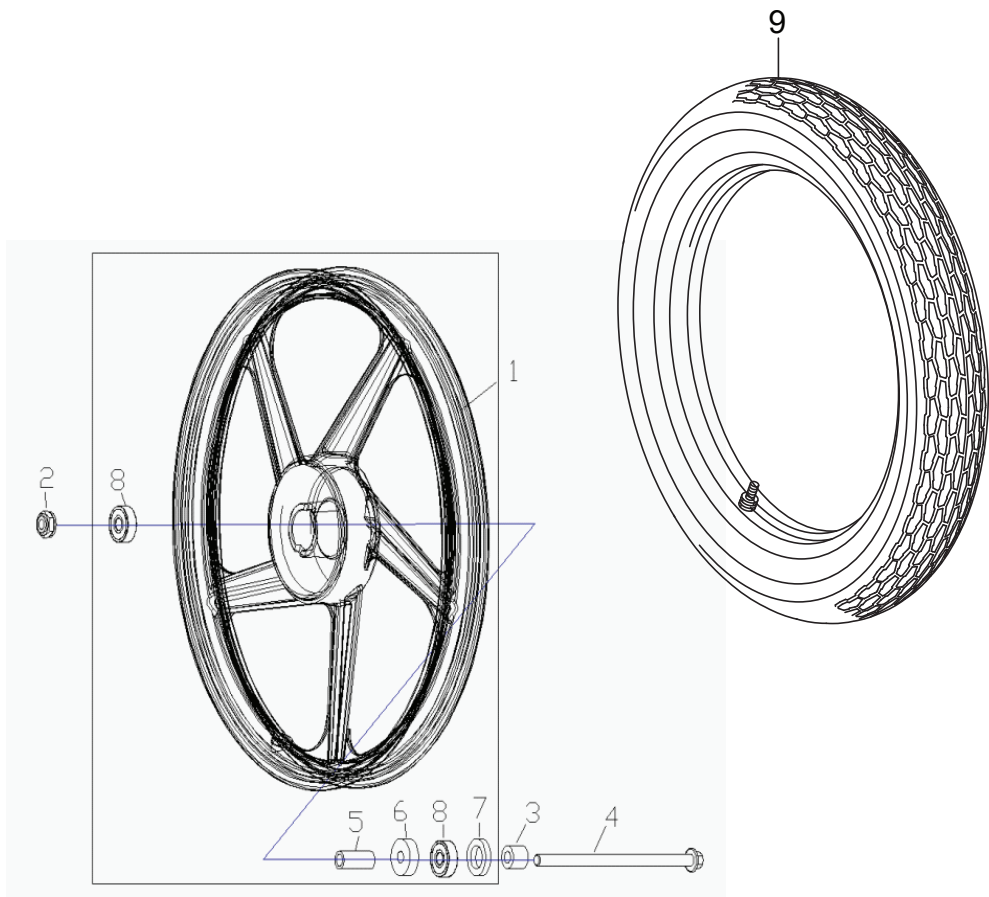
Ref. No.	Part No.	Description	Qty
			F
1	86200-H418-C10003	REAR LAMP ASSY	1
2	91205-1042-017T1X	CLIP ST4.2X17	4
3	9A113-1060-01671X	BOLT M6X16	2
4	B0009601060000K1X	WASHER 6	2
5	B057890006001271X	BOLT M6X12	2
6	9A133-1042-013X1X	SCREW ST4.2X13	3
7	85830-M154-000003	REFLECTOR REAR	1
8	63202-H418-0000	REAR PART REAR FENDER	1
9	86700-J0A2-000002	REAR LICENSE PLATE LAMP	1
10	86720-0000-0200	BULB	1
11	86260-0000-C270	BULB	1
12	9A133-1042-016X1X	SCREW ST4.2X16	2
13	86204-H418-000001	LAMPSHADE, REAR LAMP	1
14	91301-9060-116K1X	WASHER DIA.6X16X1.2	2
15	86500-H0E5-010002	LEFT TURNING LAMP, REAR	1
16	86600-H0E5-010002	RIGHT TRUNING LAMP, REAR	1
17	86800-B1P6-000002	TO LOCATE BLOCK	2
18	B061770106000061X	NUT M6	2
19	B166740106001671X	BOLT M6X16	2

CHAIN CASE / CHAIN



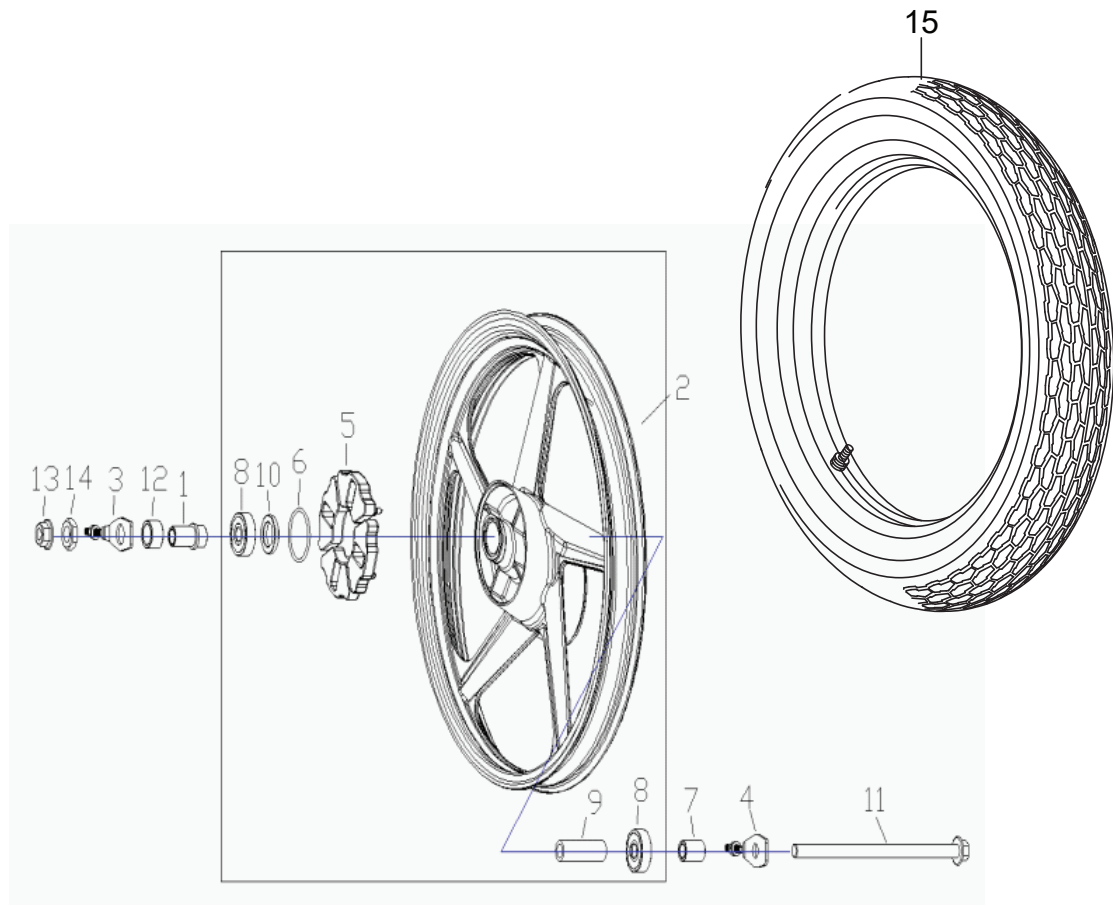
Ref. No.	Part No.	Description	Qty
			F
1	35110-H670-0000	UPPER CHAIN CASE	1
2	26400-4280-0100Q	CHAIN 428X100	1
3	B0009601060000K1X	WASHER 6	2
4	B057890006001271X	BOLT M6X12	2
5	26412-0000-000000	CHAIN CLIP	1
6	26413-0000-000000	CHAIN PRESSURE BOARD	1
7	26411-0000-000000	CONNECTING END CHAIN (S)	1
8	26411-0000-010000	CHAIN JOINT	1

FRONT ALUMINIUM WHEEL / FRONT-TYRE



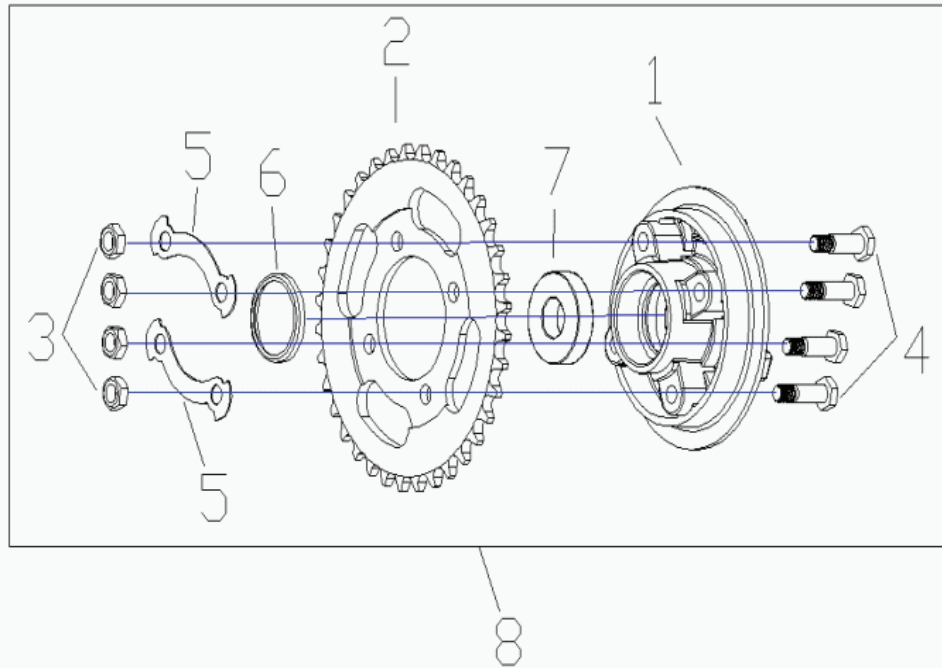
Ref. No.	Part No.	Description	Qty
1	51120-H136-C00066Q	FRONT ALUMINIUM WHEEL 1.4X17	1
2	B061870210000061X	NUT M10X1.25	1
3	51102-H259-02001XQ	RIGHT BUSH FRONT WHEEL	1
4	51181-G134-000003	AXLE FRONT WHEEL	1
5	51117-0000-80000B	INNER BUSH HUB DIA.18X12X42.2	1
6	51108-0000-0400	FRONT WHEEL SUPPORTING RING	1
7	51116-0000-3400	OIL SEAL HUB 20X37X7	1
8	92102-0006300-2RS	BEARING 6300-2RS	2
9	41009-519-0047	TYRE-ASSY-FRONT	1

REAR ALUMINIUM WHEEL / REAR-TYRE



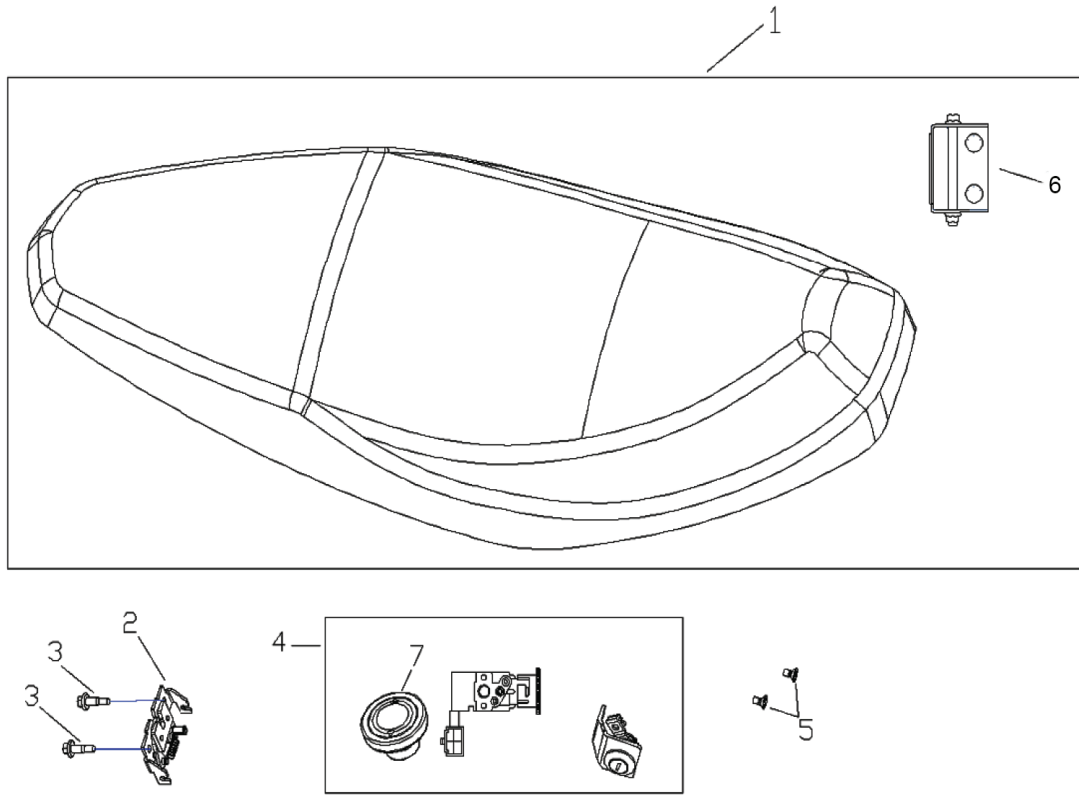
Ref. No.	Part No.	Description	Qty
			F
1	55008-H206-000002	SPROCKET BUSH	1
2	51220-H136-060066Q	REAR ALUMINUM WHEEL	1
3	35011-H206-000002	LEFT ADJUSTER CHAIN	1
4	35012-H206-000002	RIGHT ADJUSTER CHAIN	1
5	51218-0000-0100	REAR WHEEL DAMPING BLOCK	4
6	90101-10400000250	O-RING 40.4X2.5X3	1
7	51202-H206-000002	REAR WHEEL BUSH RIGHT	1
8	92102-0006301-2RS	BEARING 6301-2RS	2
9	51117-0000-49000C	INNER BUSH DIA.20X12X55.5 HUB	1
10	51108-0000-0200	FRONT WHEEL SUPPORTING RING	1
11	51281-H206-000002	REAR WHEEL AXLE	1
12	51201-H259-010002	REAR WHEEL BUSH LEFT	1
13	B061870212000061X	NUT M12X1.25	1
14	55009-H206-000001	ADJUSTING NUT INNER BUSH BUMPER	1
15	41009-519-0048	TYRE -ASSY-REAR	1

BUFFER ASSEMBLY



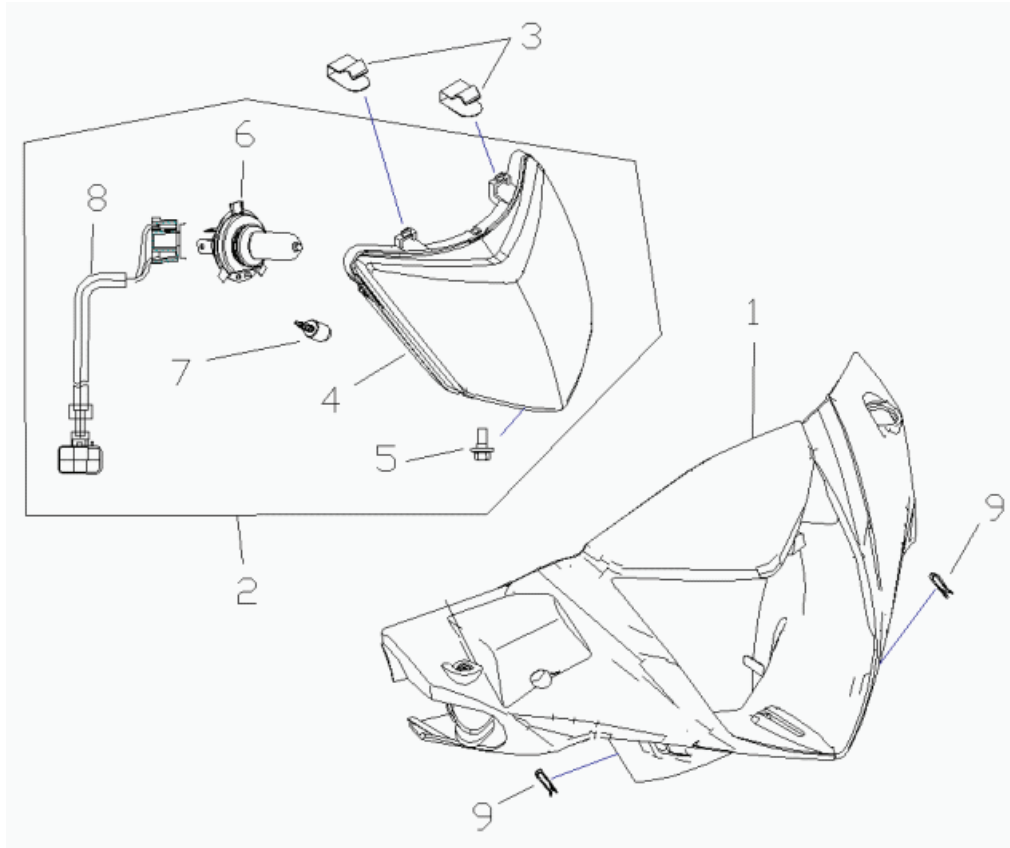
Ref. No.	Part No.	Description	Qty
			F
1	55001-H206-C00066	BUFFER SINGLE	1
2	55002-H206-000001	SPROCKET WHEEL 36T	1
3	B061700008000061C	NUT M8	4
4	B057820008003671C	BOLT M8X36	4
5	55007-H206-000001	LOCK PLATE	2
6	55005-0000-1500	OIL SEAL 26X40X6.5/11 BUFFER	1
7	92102-0006203-2RS	BEARING 6203-2RS	1
8	55000-H199-C20003	BUFFER ASSY 36T	1

SEAT



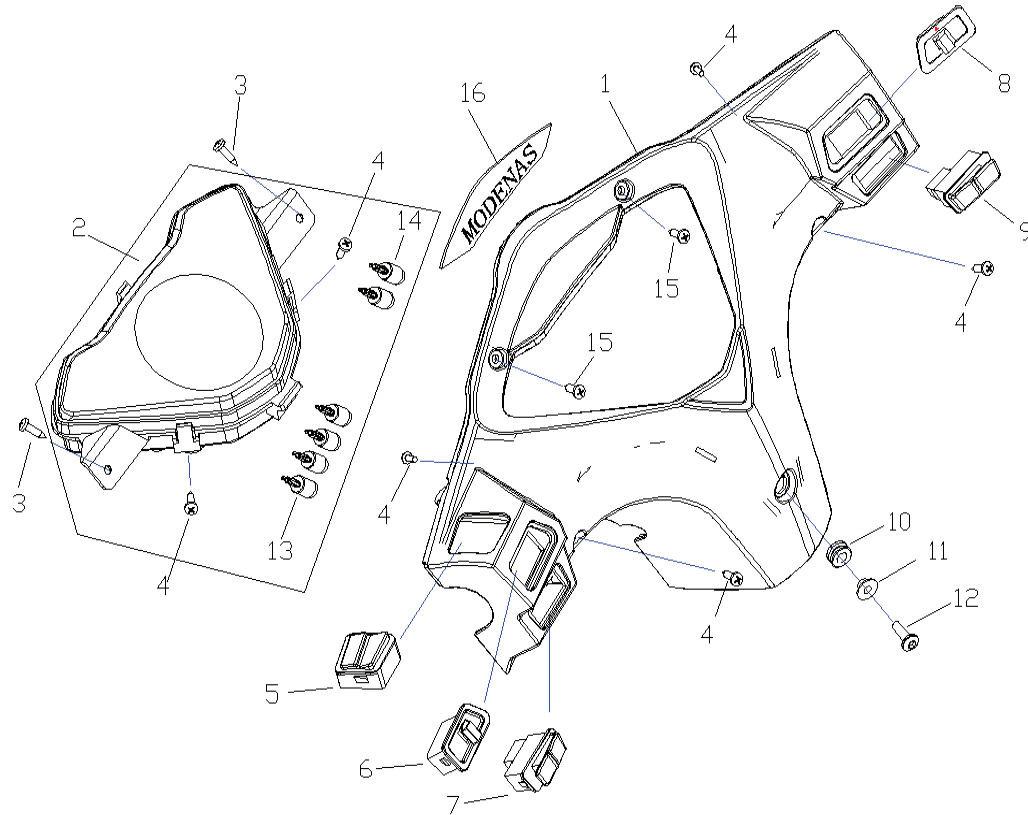
Ref. No.	Part No.	Description	Qty
			F
1	41100-H418-040008	SEATS FOR DOUBLE MEN	1
2	41490-H418-000002	LOCK SEAT	1
3	B057830005001270B	BOLT M5X12	2
4	07002-H418-C20004	VEHICLE LOCK	1
5	B008190106001021X	SCREW M6X10	3
6	41111-H418-000001	GEMEL SEAT CUSHION	2
7	61140-G129-00000C	CAP FUEL TANK	1

HEADLIGHT / FRONT COVER HANDLE



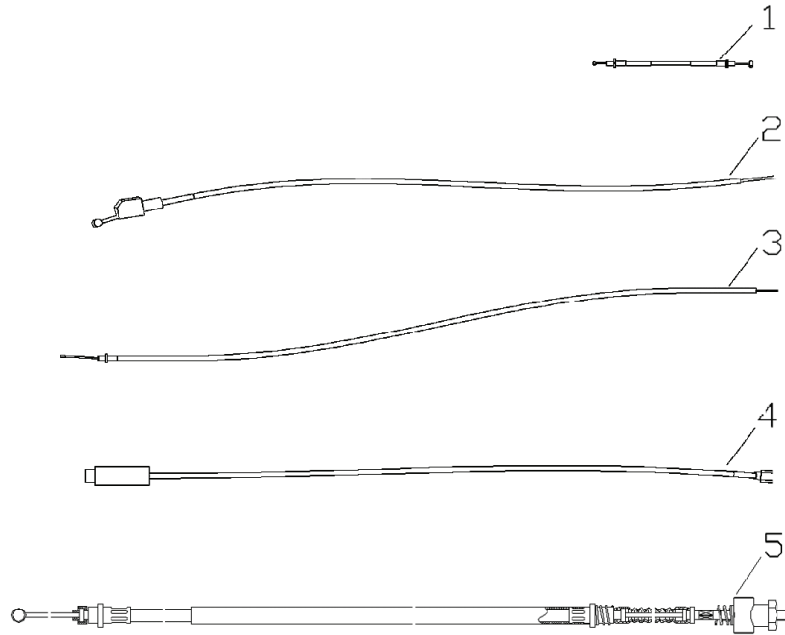
Ref. No.	Part No.	Description	Qty
			F
1	63501-H0E5-000085	SHELL, HEADLIGHT (BLACK)	1
	63501-H0E5-000086	SHELL, HEADLIGHT (BLUE)	1
	63501-H0E5-000084	SHELL, HEADLIGHT (YELLOW)	1
2	86100-H0E5-000001	HEADLIGHT	1
3	93319-0030-024U1X	CLIP 12X24 (R3)	2
4	8610Z-H0E5-0000	REFLECTOR AND LAMPSHADE ASSEMBLY	1
5	86146-H670-010001	ADJUSTING SCREW	1
6	86160-0000-C490	BULB FRONT LAMP (12V25/25W)	1
7	86112-0000-0000	BULB POSITION LAMP	1
8	86111-H0E5-0000	WIRE FRONT LAMP	1
9	91205-1042-017T1X	SELF TAPPING CLIP ST4.2X17	2

METER / REAR COVER HANDLE



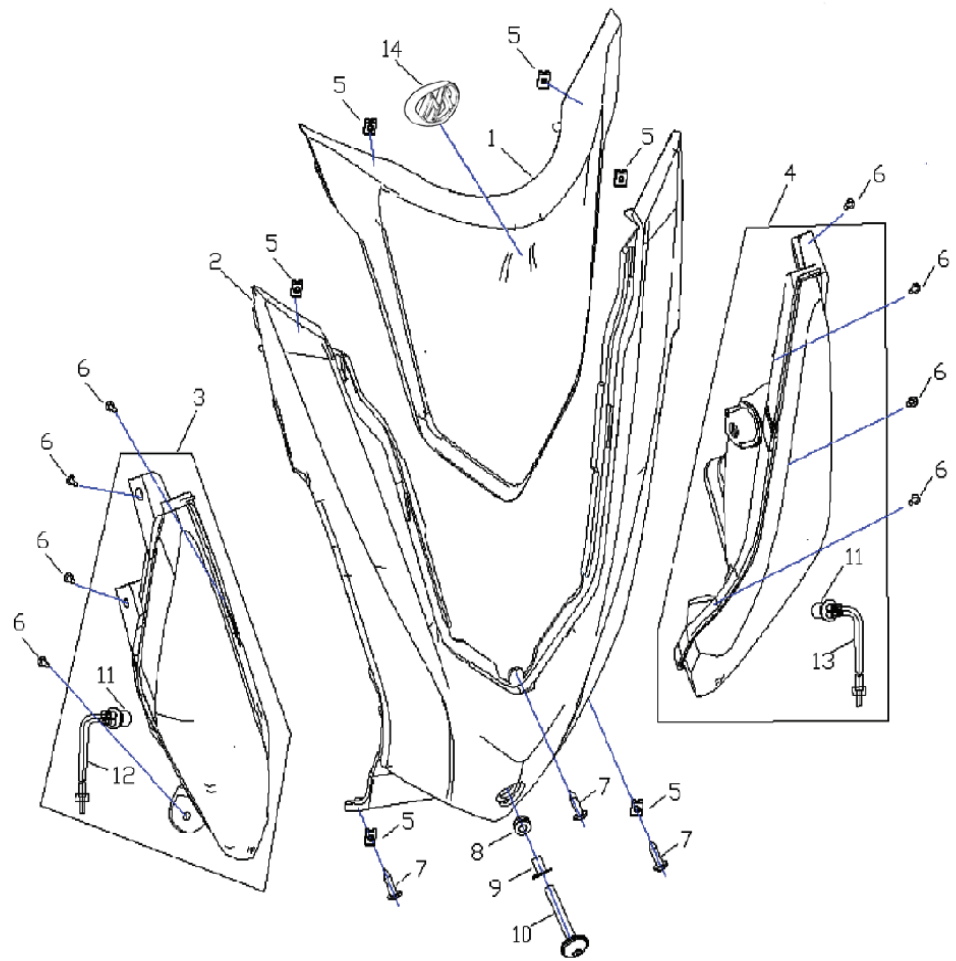
Ref. No.	Part No.	Description	Qty
			F
1	63505-H0E5-0000	SHELL, INSTRUMENT	1
2	87100-H0E5-000015	METER ASSY	1
3	9A133-1042-016X1X	SCREW ST4.2X16	2
4	9A133-1042-013X1X	SCREW DIA.9/ST4.2X13	6
5	72210-H206-020002	LIGHT SHIFT SWITCH	1
6	72220-H206-020002	SWITCH TURNING LAMP	1
7	72230-H206-030002	SWITCH HORN	1
8	72293-H418-000002	SWITCH ILLUMINATOR	1
9	72270-H206-030002	ELECTRIC STARTING SWITCH	1
10	6222B-0000-0300Q	H SHAPE RUBBER WASHER 7X9X14-2.1+2.8+2.1	1
11	91302-9050-15061X	FLANGED WASHER 5X15X6-1	1
12	9A131-1050-01671X	SCREW 11/M5X16	1
13	87123-0000-0300	BULB METER 12V/1.7W	4
14	87123-0000-0400	BULB METER 12V3W	2
15	9A133-1039-013X1X	SCREW ST3.9X13	2
16	63020-H0E5-000002	LABEL, FRONTWINDCOVER	1

CONTROL CABLE



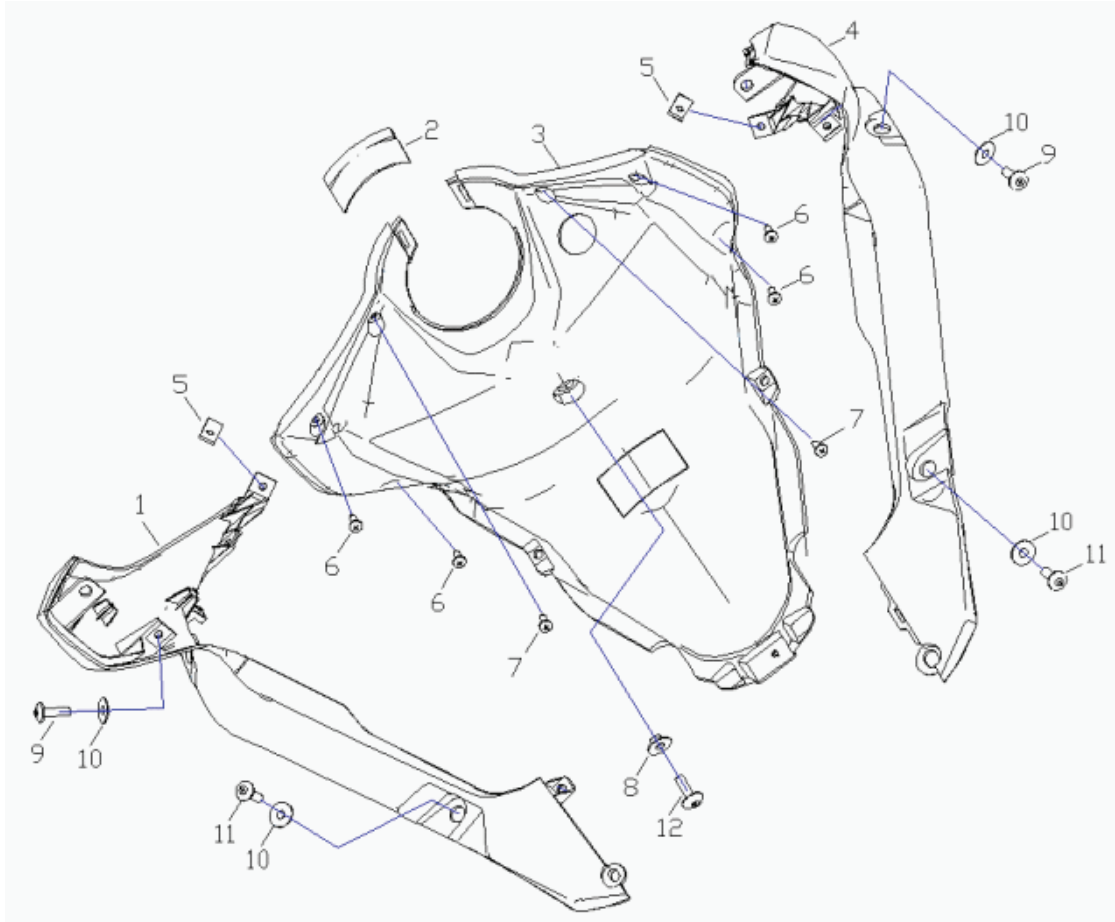
Ref. No.	Part No.	Description	Qty
			F
1	72900AZZ03501401CQ	CABLE SEAT LOCK	1
2	72700CZZ06206101CQ	CABLE CHOKE	1
3	72400DWZ09706451CQ	CABLE THROTTLE	1
4	87300AZZ02009601CQ	CABLE ODOMETER	1
5	72500AZZ07210801CQ	CABLE FRONT BRAKE	1

FRONT WIND COVER/FRONT TURNING LIGHT



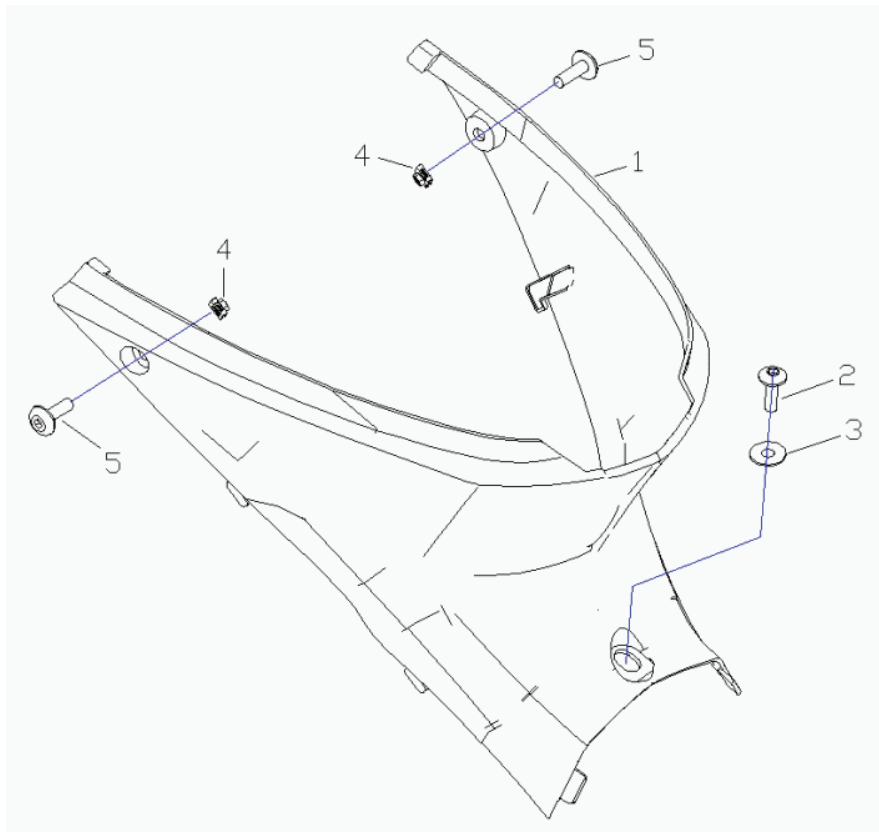
Ref. No.	Part No.	Description	Qty
			F
1	62307-H418-020205	DECORATION PARTS FRONT WIND COVER	1
2	62301-H418-000399	FRONT WIND COVER (BLACK)	1
	62301-H418-000400	FRONT WIND COVER (BLUE)	1
	62301-H418-000398	FRONT WIND COVER (YELLOW)	1
3	86400-H418-0000Q	RIGHT TURNING LAMP FRONT	1
4	86300-H418-0000Q	LEFT TURNING LAMP FRONT	1
5	91205-1042-017T1X	SELF TAPPING CLIP ST4.2X17	6
6	9A133-1042-010X0X	SCREW ST4.2X10	8
7	9A133-1042-013X1X	SCREW ST4.2X13	3
8	6222B-0000-1200Q	RUBBER WASHER DIA.8.5X12X17-2.5+3+2.5	1
9	91302-9060-18061X	FLANGED WASHER DIA.6X18-7	1
10	9A113-1060-01671X	SCREW M6X16	1
11	86340-0000-0300	BULB TURNING LAMP 12V10W	2
12	86450-H418-000001	CABLE ASSY FRONT RIGHT TURNING LAMP	1
13	86350-H418-000001	CABLE ASSY FRONT LEFT TURNING LAMP	1
14	62313-H0E5-010001	LABEL, FRONT WIND COVER	1

PROTECTING BOARD, CENTRAL FRONT



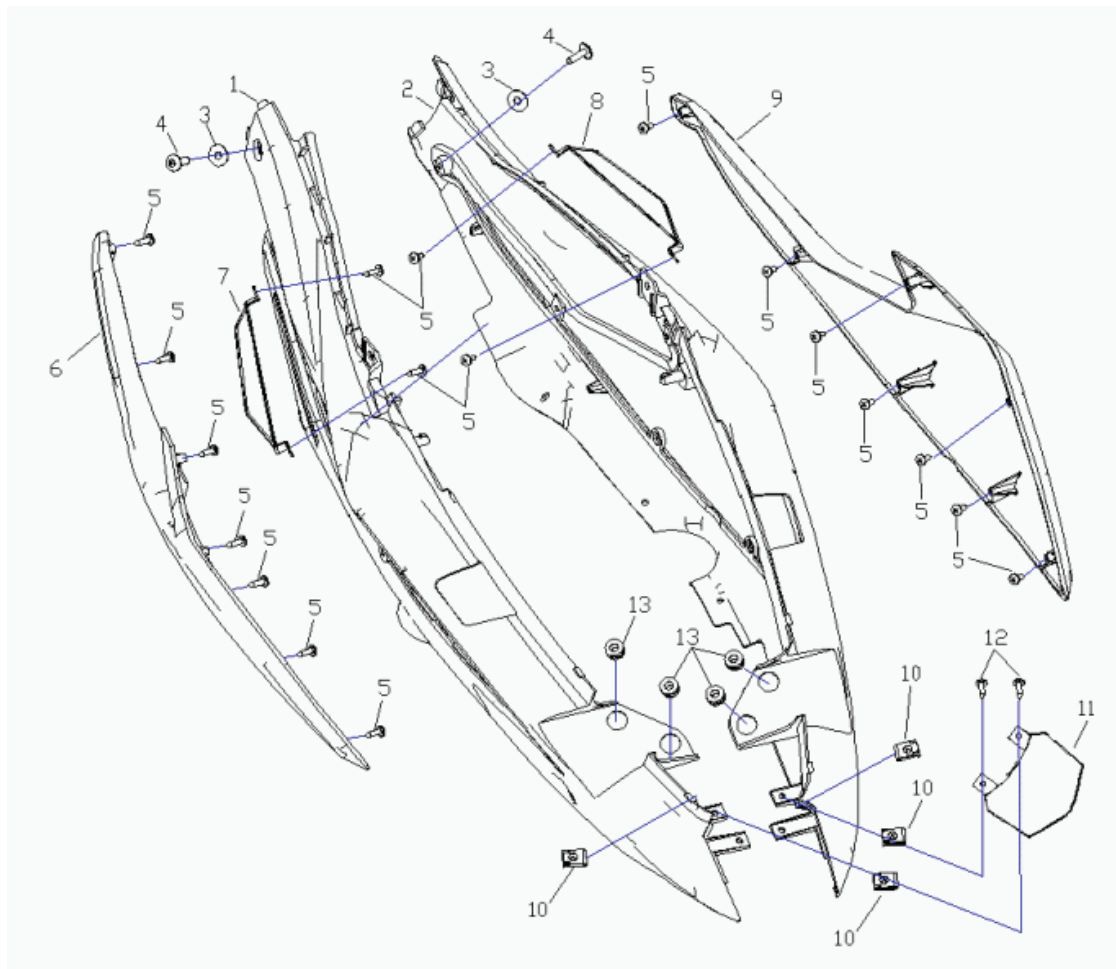
Ref. No.	Part No.	Description	Qty
			F
1	62402-H418-000533	EXTERNAL BOARD LH WIND BOARD (BLACK)	1
	62402-H418-000534	EXTERNAL BOARD LH WIND BOARD (BLUE)	1
	62402-H418-000532	EXTERNAL BOARD LH WIND BOARD (YELLOW)	1
2	62203-H418-0000	DEC. BLOCK CENTRALPROTECTING BOARD	1
3	62209-H418-0000	PROTECTING BOARD CENTRAL FRONT	1
4	62403-H418-000533	EXTERNAL BOARD RH WIND BOARD (BACK)	1
	62403-H418-000534	EXTERNAL BOARD RH WIND BOARD (BLUE)	1
	62403-H418-000532	EXTERNAL BOARD RH WIND BOARD (YELLOW)	1
5	91205-1042-017T1X	CLIP SELF TAPPING ST4.2X17	2
6	9A133-1042-013X1X	SCREW ST4.2X13	4
7	9A133-1042-016X1X	SCREW ST4.2X16	2
8	91302-9060-18061X	FLANGED WASHER DIA.6X18-7	1
9	9A113-1060-02571X	SCREW M6X25	2
10	B0009601060000K1X	WASHER 6	4
11	9A113-1060-02071X	SCREW M6X20	3
12	9A113-1060-01671X	SCREW M6X16	1

PROTECTING BOARD, CENTRAL REAR



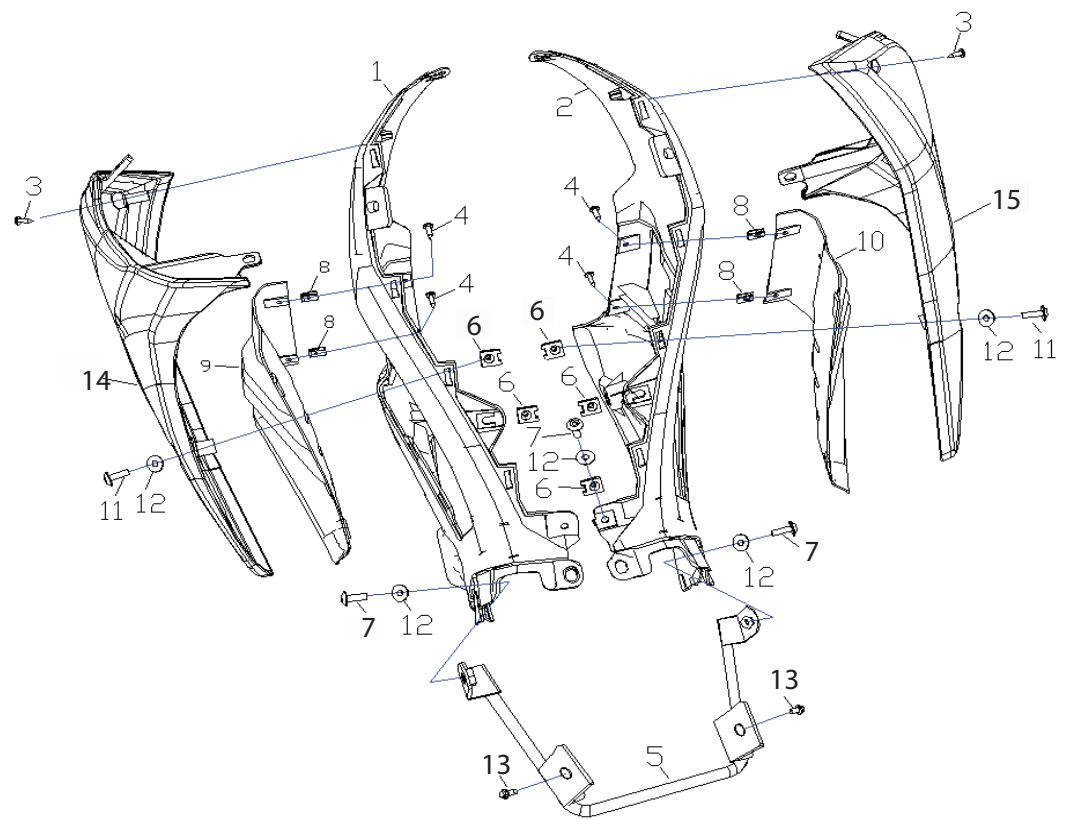
Ref. No.	Part No.	Description	Qty
			F
1	62218-H418-00087	PROTECTING BOARD CENTRAL REAR	1
2	9A113-1060-01671X	SCREW M6X16	1
3	B0009601060000K1X	WASHER 6	1
4	91218-1060-022T0U	CLIP M6X22.3X15	2
5	9A113-1060-01671X	SCREW M6X16	2

VEHICLE CAP



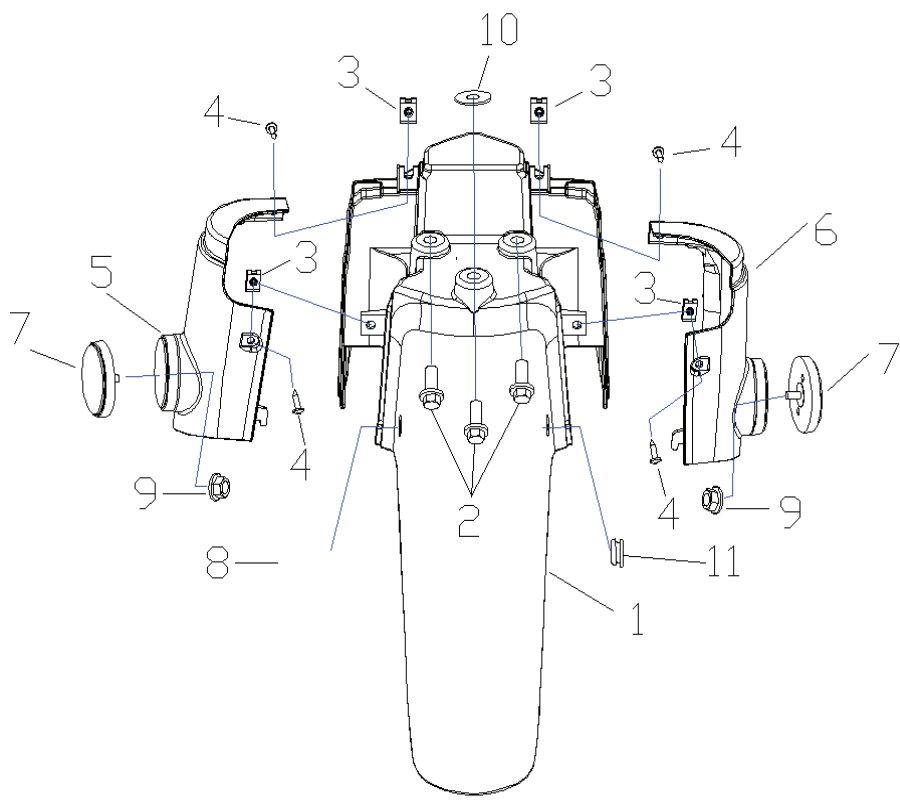
Ref. No.	Part No.	Description	Qty
			F
1	63341-H418-000420	CAP VEHICLE LH PART (BLACK)	1
	63341-H418-000421	CAP VEHICLE LH PART (BLUE)	1
	63341-H418-000419	CAP VEHICLE LH PART (YELLOW)	1
2	63352-H418-000420	CAP VEHICLE RH PART (BLACK)	1
	63352-H418-000421	CAP VEHICLE RH PART (BLUE)	1
	63352-H418-000419	CAP VEHICLE RH PART (YELLOW)	1
3	B0009601060000K1X	WASHER 6	2
4	9A113-1060-01671X	SCREW M6X16	2
5	9A133-1042-010X0X	SCREW ST4.2X10	18
6	63301-H418-000527	LEFT SIDE CAP (BLACK)	1
	63301-H418-000528	LEFT SIDE CAP (BLUE)	1
	63301-H418-000526	LEFT SIDE CAP (YELLOW)	1
7	6334A-H418-0000	DECORATION BLOCK LH VEHICLE CAP	1
8	6335A-H418-0000	DECORATION BLOCK RH VEHICLE CAP	1
9	63332-H418-000527	RIGHT SIDE CAP (BLACK)	1
	63332-H418-000528	RIGHT SIDE CAP (BLUE)	1
	63332-H418-000526	RIGHT SIDE CAP (YELLOW)	1
10	91205-1042-017T1X	CLIP ST4.2-17X11	4
11	63602-H418-000081	TAIL CAP (BLACK)	1
	63602-H418-000082	TAIL CAP (BLUE)	1
	63602-H418-000080	TAIL CAP (YELLOW)	1
12	9A133-1042-013X1X	SCREW ST4.2X13	2
13	6222B-0000-2200Q	RUBBER WASHER 13X17X26-3+4+3	4

WIND BOARD



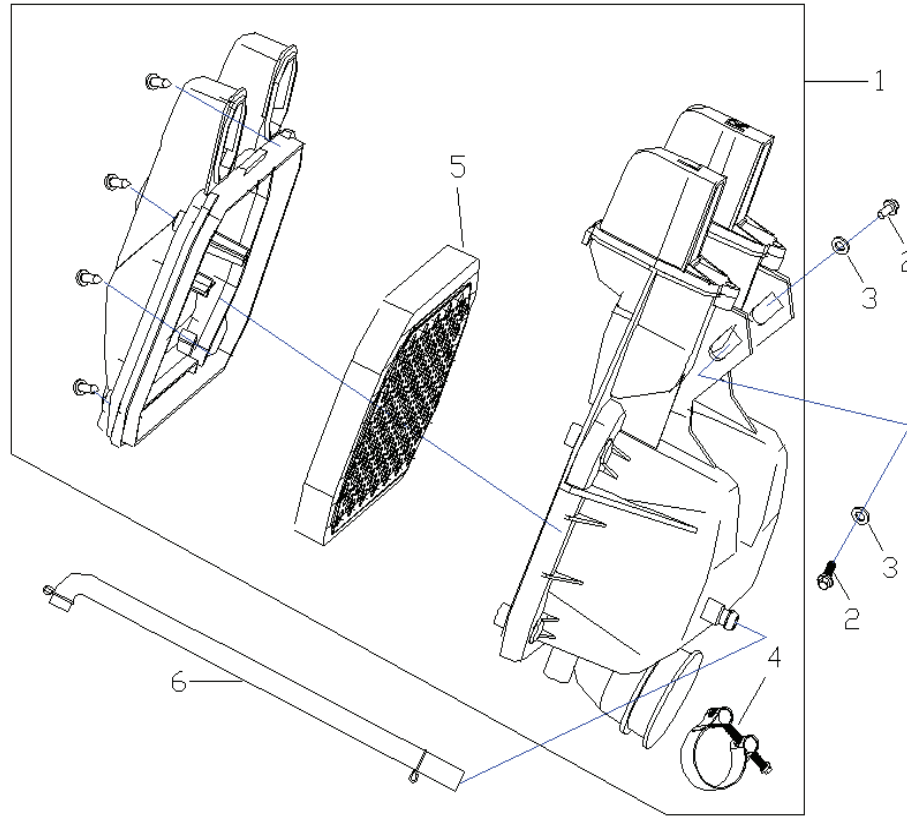
Ref. No.	Part No.	Description	Qty
			F
1	63401-H418-010020	LEFT WIND BOARD (BLACK)	1
	63401-H418-010021	LEFT WIND BOARD (BLUE)	1
	63401-H418-010019	LEFT WIND BOARD (YELLOW)	1
2	63406-H418-010020	RIGHT WIND BOARD (BLACK)	1
	63406-H418-010021	RIGHT WIND BOARD (BLUE)	1
	63406-H418-010019	RIGHT WIND BOARD (YELLOW)	1
3	9A133-1042-040X1X	SCREW ST4.2X40	2
4	9A133-1042-013X1X	SCREW ST4.2X13	4
5	63424-H418-010003	BRACKET WIND BOARD	1
6	91218-1060-022T0U	CLIP M6X22.3X15	5
7	9A113-1060-02571X	SCREW M6X25	3
8	91205-1042-017T1X	CLIP ST4.2X17X11	4
9	63412-H418-0000	DECORATION PARTS LH WIND BOARD	1
10	63413-H418-0000	DECORATION PARTS RH WIND BOARD	1
11	9A113-1060-04070H	SCREW M6X40	2
12	B0009601060000K1X	WASHER 6	5
13	B057890006002071X	BOLT M6X20	2
14	6312F-H418-000026	LEFT WIND DEFLECTOR OUTER PANEL (BLACK)	1
	6312F-H418-000027	LEFT WIND DEFLECTOR OUTER PANEL (BLUE)	1
	6312F-H418-000025	LEFT WIND DEFLECTOR OUTER PANEL (YELLOW)	1
15	6312E-H418-000026	OUTER PLATE OF RH WIND DEFLECTOR (BLACK)	1
	6312E-H418-000027	OUTER PLATE OF RH WIND DEFLECTOR (BLUE)	1
	6312E-H418-000025	OUTER PLATE OF RH WIND DEFLECTOR (YELLOW)	1

FRONT FENDER



Ref. No.	Part No.	Description	Qty
			F
1	63104-H670-000097	FRONT FENDER (BLACK)	1
	63104-H670-000096	FRONT FENDER (BLUE)	1
	63104-H670-000095	FRONT FENDER (YELLOW)	1
2	91112-1060-01771X	BOLT M6X17	3
3	91205-1042-017T1X	CLIP SELF TAPPING ST4.2-17X11	4
4	9A133-1042-013X1X	SELF TAPPING SCREW ST4.2X13	4
5	63127-H670-000076	LEFT DECO CAP FRONT FENDER (BLACK)	1
	63127-H670-0000KR	LEFT DECO CAP FRONT FENDER (BLUE)	1
	63127-H670-0000ML	LEFT DECO CAP FRONT FENDER (YELLOW)	1
6	63126-H670-000076	RIGHT DECO CAP FRONT FENDER (BLACK)	1
	63126-H670-0000KR	RIGHT DECO CAP FRONT FENDER (BLUE)	1
	63126-H670-0000ML	RIGHT DECO CAP FRONT FENDER (YELLOW)	1
7	85850-M154-010002	SIDE REFLECTOR	2
8	63111-H418-0000Q	WIRE PROTECTING RING	2
9	B061770106000061X	NUT M6	2
10	91301-0060-25021X	WASHER DIA.6X25X2	1
11	63143-H259-0000Q	RUBBER PLUG, REAR FENDER	1

AIR CLEANER

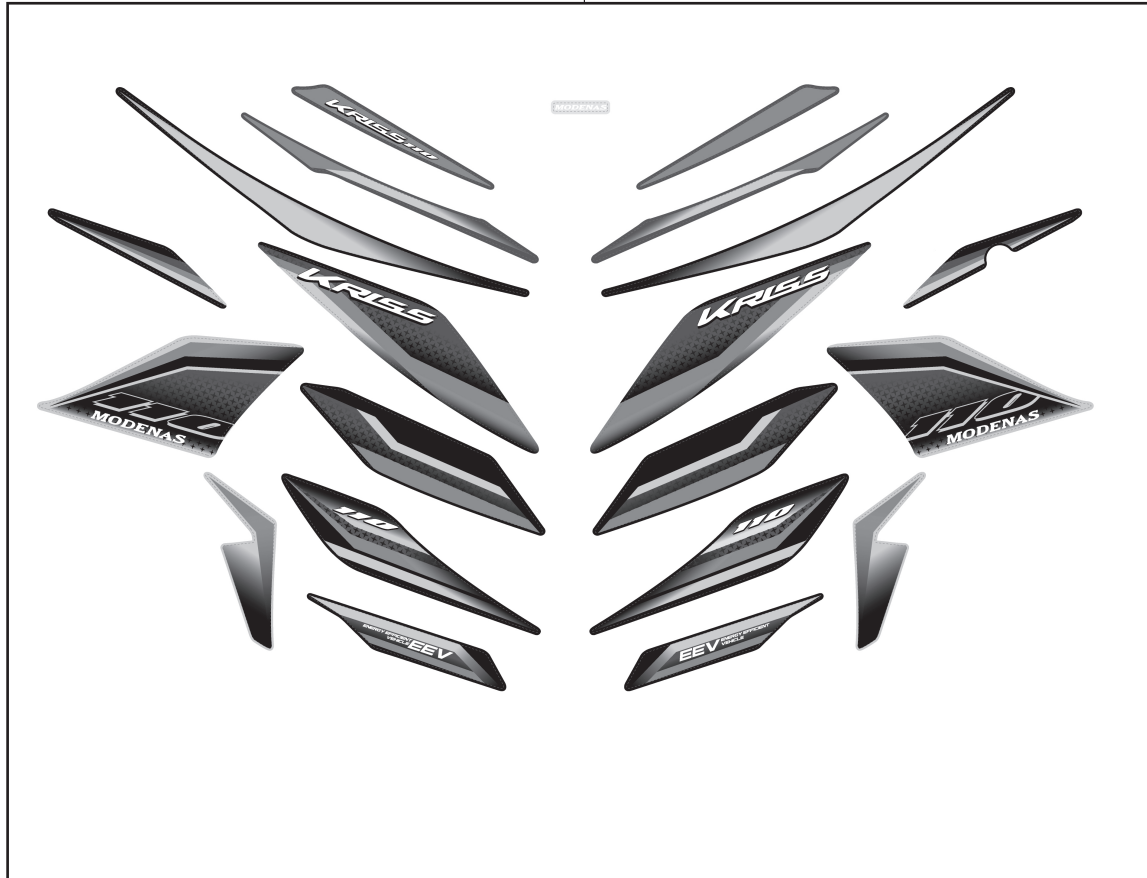


Ref. No.	Part No.	Description	Qty
			F
1	16100-H337-040005	AIR CLEANER	1
2	B057890006001271X	BOLT M6X12	2
3	B0009601060000K1X	WASHER 6	2
4	16123-I126-00000C	JOINT CLIP AIR CLEANER	1
5	16101-H337-040002	CORE AIR CLEANER	1
6	16156-0000-1600Q	RUBBER HOSE FOR SECONDARY WASTE GAS 1	

DECALS GROUP 5

PATTERNS

1 / 2 / 3



Ref. No.	Part-No	Description	Qty
1	63001-H418-V90000	PATTERN-SET COLOUR BLACK	1
2	63001-H418-W10000	PATTERN-SET COLOUR BLUE	1
3	63001-H418-W20000	PATTERN-SET COLOUR YELLOW	1

PART NO. GROUP 6

PART-NO AND DESCRIPTION

NO	PART-NO	DESCRIPTION	GRID NO.
1	100010074	O-RING DIA. 13.2X2.65	E07
2	100010667	BEARING 6001	E10
3	100010676	BEARING 6201	E11
4	100010678	BEARING 6203	E10
5	100010678	BEARING 6203	E11
6	100010685	BEARING 6304	E12
7	100011099	RETAINING RING 17	E13
8	100031594	O-RING DIA. 52.5X2	E17
9	100031604	O-RING DIA. 18X3	E06
10	100031716	BEARING 6000	E06
11	100032890	PIN DIA. 2.5X10	E09
12	100033003	RETAINING RING 11	E17
13	100051306	CLUTCH MANIPULATE ARM COMBINATION	E06
14	100054745	OIL RING ASSY	E20
15	100059272	WASHER	E06
16	100062531	SEAL VALVE STEM	E02
17	100066182	ROCKER ARM	E02
18	100068320	CRANKSHAFT CONNECTING ROD ASSY	E12
19	100091360	CLUTCH ASSY	E08
20	100100159	OIL PUMP COVER	E09
21	100100231	CYLINDER STUD BOLT A	E04
22	100100289	CYLINDER STUD BOLT B	E04
23	100100290	CYLINDER STUD BOLT B	E04
24	100100392	BOLT RETURN SPRING FIXING 8X11	E15
25	100100487	BOLT M5X12	E02
26	100100514	LOCK NUT CLUTCH	E08
27	100100528	LOCK NUT PRIMARY CLUTCH	E08
28	100100580	CHECK RING PISTON RING	E20
29	100100595	CIRCLIP DIA. 15.5X1.2XDIA. 19	E14
30	100100596	CIRCLIP DIA. 18.5X1.2XDIA. 21.1	E14
31	100100629	CHECK RING DIA. 18.5X1.2XDIA. 22	E13
32	100100637	PIN	E08
33	100100639	SEMICIRCULAR KEY	E12
34	100100867	DOWEL PIN DIA. 8X12XDIA. 6.3	E06
35	100100867	DOWEL PIN DIA. 8X12XDIA. 6.3	E07
36	100100888	PIN DIA. 3X9	E15
37	100100898	PIN DIA. 4X9	E15
38	100100901	PIN DIA. 4X13	E15
39	100101058	NEEDLE BEARING	E06
40	100101210	DOWEL PIN DIA. 8X12XDIA. 7	E04

NO	PART-NO	DESCRIPTION	GRID NO.
41	100101211	DOWEL PIN DIA. 8X14XDIA. 7	E04
42	100101356	PISTON	E20
43	100101506	PIN PISTON	E20
44	100101953	HUB DUMP CHAIN SPROCKET	E12
45	100102729	DOWEL PIN DIA. 10X14	E10
46	100102874	BUSH 9.5	E04
47	100103067	FIXING PLATE MAGNETO CABLE	E07
48	100103200	ASSY OVERRUNNING CLUTCH	E16
49	100103210	SPRING	E16
50	100103211	CLUTCH ROLLER	E16
51	100103213	CONE BLOCKAGE	E16
52	100103246	DISK INSULATOR	E17
53	100103247	PLATE START CLUTCH	E17
54	100103253	STARTING MOTOR DRIVE CHAIN	E17
55	100103272	ASSY CHAIN PROTECT PLATE	E17
56	100103278	ASSY GUIDE PLATE	E17
57	100103340	WASHER	E08
58	100103343	DISH WASHER CLUTCH	E08
59	100103344	DISH WASHER CLUTCH	E08
60	100103348	SPACER SLEEVE CLUTCH	E08
61	100103350	FIXING RING CLUTCH	E08
62	100103352	SLEEVE CLUTCH	E08
63	100103357	CENTER SLEEVE CLUTCH	E08
64	100103420	OUTER FRICTION DISK A	E08
65	100103450	CAM PLATE ASSY CLUTCH	E06
66	100103457	THRUST WASHER PRIMARY CLUTCH	E08
67	100103459	STOP WASHER PRIMARY CLUTCH	E08
68	100103460	COVER PRIMARY CLUTCH	E08
69	100103461	CIRCLIP PRIMARY CLUTCH	E08
70	100103462	CIRCLIP PRIMARY CLUTCH	E08
71	100103467	SPRING	E08
72	100103468	SHAKE ABSORBER	E08
73	100103471	INNER PLATE OVERRUNNING CLUTCH	E08
74	100103570	SLEEVE	E13
75	100103602	GEARM-2	E13
76	100103603	GEAR M-3	E13
77	100103604	GEAR M-4	E13
78	100103646	WASHER	E13
79	100103706	GEAR C-1	E13
80	100103707	GEAR C-2	E13

PART-NO AND DESCRIPTION

NO	PART-NO	DESCRIPTION	GRID NO.
81	100103708	GEAR C-3	E13
82	100103709	GEAR C-4	E13
83	100103776	COLLAR 20X9	E13
84	100103800	DRIVE SPROCKET	E13
85	100103891	GUIDE PIN	E15
86	100103892	CLIP SPRING	E15
87	100103980	SPRING LOCATING PLATE	E15
88	100103996	GEARSHIFT LEVER TENSION SPRING	E15
89	100104129	SPARK PLUG	E02
90	100104271	SPROCKET	E17
91	100104485	GEARSHIFT SWITCH PRESSING PLATE	E15
92	100104486	CONTACT GEARINDICATION	E15
93	100104512	RETANGLE RING 8X10.8X1.5	E04
94	100104513	RETANGLE RING 11.5X16X2.5	E04
95	100104601	GASKET OIL PUMP	E09
96	100104606	GASKET CARBURETOR	E02
97	100104647	OIL SEAL 11.6X24X10	E10
98	100104696	OILS SEAL 17X29X5	E10
99	100104729	OIL SEAL 13.8X24X5	E06
100	100104777	OIL SEAL 30X42X4.5	E17
101	100104785	OIL SEAL 19X30X5	E17
102	100104914	OIL PUMP SPROCKET SHAFT	E09
103	100104916	BUSH SPROCKET	E09
104	100104941	STRAINER OIL PUMP	E09
105	100104951	HUB DUMP CHAIN SPROCKET OIL PUMP	E09
106	100105029	TIMING DRIVEN SPROCKET	E02
107	100105089	SPROCKET CHAIN	E05
108	100105148	ROCKER SHAFT	E02
109	100105156	NUT VALVE CLEARANCE	E02
110	100105167	SCREW VALVE CLEARANCE	E02
111	100105204	SPRING	E05
112	100105207	AXLE TENSIONER LEVER	E05
113	100105239	PLUG OF TIGHTENER	E05
114	100105253	CAM CHAIN TENSIONER PUSH ROD	E05
115	100105256	CHAIN ADJUSTING SET	E05
116	100105305	SPRING SEAT	E02
117	100105313	OUTER VALVE SPRING RETAINER	E02
118	100105320	VALVE LOCKER	E02
119	100105737	SEAT SPRING KICK STARTING SHAFT	E14
120	100105767	GEAR KICK STARTER	E14

NO	PART-NO	DESCRIPTION	GRID NO.
121	100106337	WASHER DIA.6.2X2XDIA.13	E02
122	100106518	WASHER DIA.17.2X1XDIA.24	E14
123	100106520	WASHER DIA.17.2X1.2XDIA.26	E13
124	100106527	WASHER DIA.20.2X1XDIA.27	E14
125	100106533	WASHER DIA.29.5X0.8XDIA.38	E08
126	100106538	WASHER DIA.6.2X1.5XDIA.13	E05
127	100106540	WASHER DIA.6.5X1XDIA.12	E02
128	100106544	WASHER DIA.8X1.5XDIA.14	E04
129	100106548	WASHER DIA.12.1X2XDIA.20	E11
130	100106552	WASHER DIA.14X1.5XDIA.20	E05
131	100106565	WASHER DIA.6.2X2XDIA.13	E02
132	100107650	O-RING DIA.106.8X2	E17
133	100107728	O-RING DIA.25X2.4	E02
134	100107731	O-RING DIA.27.4X2.65	E07
135	100107742	O-RING DIA.29.6X3.2	E02
136	100107799	O-RING DIA.6.5X1.8	E17
137	100107836	O-RING DIA.8X1.8	E06
138	100108014	OUTER CASE PRIMARY CLUTCH	E08
139	100152950	PISTON ASSY	E20
140	100163808	GEARSHIFH DRUM COMP	E15
141	100200112	CAMP SHAFT COMP	E02
142	100200330	GUIDE CHAIN ROLLER PIN	E04
143	100200404	ROCKER ARM ASSY VALVE	E02
144	100200570	INTAKE VALVE	E02
145	100200615	EXHAUST VALVE	E02
146	100200667	VALVE OUTER SPRING	E02
147	100200681	VALVE INNER SPRING	E02
148	100200724	INNER SPRING ASSY	E02
149	100201126	GASKET INLET PIPE	E02
150	100201840	KICK STARTING SHAFT ASSY	E14
151	100201899	RETURN SPRING KICK STARTING SHAFT	E14
152	100201907	PIVOT KICK STARTING SHAFT	E14
153	100202618	STARTING CLUTCH BODY	E16
154	100202677	DISK INSULATOR	E17
155	100202694	PLATE GEAR ASSY	E17
156	100202720	PLATE GEAR ASSY	E17
157	100202781	CLUTCH ASSY	E08
158	100202930	OIL INSULATING CLUTCH	E08
159	100203183	CLUTCH TAPPET	E06
160	100203228	SPRING PRIMARY CLUTCH	E08

PART-NO AND DESCRIPTION

NO	PART-NO	DESCRIPTION	GRID NO.
161	100203271	TRANSMISSION MAIN COUNTER SHAFT	E13
162	100203420	MAIN SHAFT TRANSMISSION	E13
163	100203459	TRANSMISSION MAIN SHAFT	E13
164	100203475	WASHER	E13
165	100203476	WASHER	E13
166	100203526	COUNTERSHAFT TRANSMISSION	E13
167	100203588	TRANSMISSION COUNTERSHAFT	E13
168	100203631	DAMPING SPRING COUNTERSHAFT	E13
169	100203634	LIMIT PLATE GEARSHAFT	E13
170	100203657	FIXING PLATE DRIVE SPROCKET	E13
171	100203714	GEARSHIFT FORK	E15
172	100203779	GEARSHIFT DRUM COMP	E15
173	100203806	STOPPING PLATE	E15
174	100203822	GEARSHIFT DRUM	E15
175	100203912	GEARSHIFT SHAFT COMP	E15
176	100203925	RETURN SPRING	E15
177	100203947	LIMIT SCREW	E15
178	100203957	LOCATING PLATE ASSY	E15
179	100204455	OIL PUMP ASSY	E09
180	100204475	SHAFT OIL PUMP	E09
181	100204541	OIL PUMP BODY	E09
182	100204573	INNER ROTOR OIL PUMP	E09
183	100204600	OUTER ROTOR OIL PUMP	E09
184	100205538	LIMIT PLATE REDUCTING VALVE	E02
185	100206378	PISTON RING 1	E20
186	100206436	PISTON RING 2	E20
187	100207053	CONNECTING ROD COMP 3	E12
188	100208480	GASKET CYLINDER HEAD UPPER COVER	E02
189	100208489	GASKET L.CYLINDER HEAD COVER	E02
190	100208500	GASKET R.CYLINDER HEAD COVER	E02
191	100208510	GASKET L.CRANKCASE COVER	E07
192	100208557	GASKET ASSY CYLINDER BLOCK	E04
193	100208630	GASKET R. CRANKCASE	E06
194	100208679	GASKET CRANKCASE	E11
195	100208791	GASKET PRIMARY CLUTCH COVER	E08
196	100208816	GASKET ASSY CYLINDER HEAD	E04
197	100301310	CLUTCH ASSY	E08
198	100301347	END COVER CLUTCH	E08
199	100301355	PRESSURE PLATE CLUTCH	E08
200	100301379	SPRING CLUTCH	E08

NO	PART-NO	DESCRIPTION	GRID NO.
201	100301404	OUT CASE ASSY CLUTCH	E08
202	100301461	DRIVE FRICTION DISK	E08
203	100303082	PISTON RING COMP	E20
204	100303337	STARTING RATCHET	E14
205	100303348	SPRING KICK STARTING RATCHET WHEEL	E14
206	100303503	ASSY PRIMARY CLUTCH	E08
207	100303507	STOP WASHER PRIMARY CLUTCH	E08
208	100303529	DRIVE DISK ASSY PRIMARY CLUTCH	E08
209	100303533	DRIVE DISK PRIMARY CLUTCH	E08
210	100303537	COUNTER WEIGHT SET PRIMARY CLUTCH	E08
211	100733999	ROTOR ASSY MAGNETO	E16
212	100746947	ROTOR ASSY MAGNETO	E16
213	06000-1126-03000CQ	VEHICLE TOOLS	E18
214	07002-H418-C20004	VEHICLE LOCK	F20
215	100010845-0001	BOLT M8X15	E16
216	100010953-0001	SCREW M5X10	E09
217	100011168-0003	BOLT M5X12	E07
218	100011171-0002	BOLT M6X12	E17
219	100011173-0003	BOLT M6X16	E08
220	100011264-0003	BOLT M6X16	E15
221	100011267-0003	BOLT M6X22	E08
222	100011534-0002	BOLT M6X25	E02
223	100011534-0002	BOLT M6X25	E07
224	100011537-0002	BOLT M6X35	E07
225	100011538-0003	BOLT M6X40	E06
226	100011540-0007	BOLT M6X50	E10
227	100011540-0007	BOLT M6X50	E17
228	100011542-0001	BOLT M6X60	E10
229	100011543-0001	BOLT M6X65	E06
230	100011543-0001	BOLT M6X65	E10
231	100031847-0006	SCREW M5X8	E08
232	100031851-0004	SCREW M6X12	E15
233	100031852-0005	SCREW M6X16	E09
234	100031854-0002	SCREW M6X22	E09
235	100031911-0004	BOLT M6X10	E13
236	100031957-0007	BOLT M6X32	E07
237	100031959-0007	BOLT M6X70	E07
238	100031960-0007	BOLT M6X80	E06
239	100033087-0006	BOLT M6X42	E06
240	100033099-0006	BOLT M6X18	E05

PART-NO AND DESCRIPTION

NO	PART-NO	DESCRIPTION	GRID NO.
241	100055587-0006	BOLT M6X28	E07
242	100055589-0006	BOLT M6X16	E07
243	100091304-0005	FRONT PART L. CRANKCASE COVER PARTS	E07
244	100100331-0006	OIL DRAIN PLUG	E11
245	100100343-0007	SEALING PLUG M14X1.5	E05
246	100100372-0001	BOLT M8	E06
247	100100382-0007	BOLT M6X23	E04
248	100100438-0002	BOLT M6X32	E02
249	100100465-0002	SCREW	E15
250	100100492-0007	BOLT M6X110	E02
251	100100507-0004	NUT M6	E02
252	100100562-0002	NUT	E06
253	100102869-0045	COVER VALVE CHAMBER	E02
254	100102915-0005	CLIP OVERFLOW PIPE	E10
255	100102935-0014	LEFT CRANKCASE BLOCK	E10
256	100103015-0016	RIGHT CRANKCASE BLOCK	E11
257	100103059-0021	CAP SMALL VIEW HOLE	E07
258	100103062-0020	CAP BIG VIEW HOLE	E07
259	100105067-0006	GUIDE CHAIN ROLLER PIN	E04
260	100123471-0001	SCREW M6X16	E17
261	100132820-0004	CYLINDER HEAD ASSY	E02
262	100152951-0002	CYLINDER HEAD ASSY	E02
263	100200056-0002	OIL RULER ASSY	E06
264	100202220-0032	BACK PART L.CRANKCASE COVER	E07
265	100202572-0079	COVER COMP RIGHT CRANKCASE	E06
266	100203191-0001	CLUTCH TAPPET	E06
267	100203869-0001	GEAR SHIFT LEVER COMP	E15
268	100204662-0007	BOLT M6X30	E04
269	100204698-0001	NUT	E16
270	100204895-0005	FRONT PART L.CRANKCASE COVER	E07
271	100205313-0014	STARTING MOTOR ASSY	E17
272	100205587-0036	UPPER COVER CYLINDER HEAD	E02
273	100205635-0015	CYLINDER HEAD LEFT COVER	E02
274	100205661-0016	RIGHT COVER CYLINDER HEAD	E02
275	100207321-0007	CYLINDER BLOCK ASSY	E04
276	100208384-0002	GEARSHIFT SWITCH LAMP	E15
277	100302984-0003	COVER COMP RIGHT CRANKCASE	E06
278	100733998-0001	STATOR ASSY MAGNETO	E07
279	13183-519-0146	HOOK HELMET	F13
280	15800-H327-0000Q	INTAKE PIPE	E19

NO	PART-NO	DESCRIPTION	GRID NO.
281	16100-H337-040005	AIR CLEANER	F30
282	16101-H337-040002	CORE AIR CLEANER	F30
283	16123-I126-00000C	JOINT CLIP AIR CLEANER	F30
284	16156-0000-1600Q	RUBBER HOSE FOR SECONDARY WASTE GAS	F30
285	17010-H206-0100Q	FIXING SEAT, OILER	F08
286	17100-0000-030014	CARBURETOR	E19
287	18000-H418-210004	MUFFLER	E03
288	18030-H206-0000	SEAL PAD, EXHAUST MUFFLER	E03
289	18040-H0E5-000073	COVER REAR, EXHAUST MUFFLER	E03
290	18089-G011-0400Q	AIR SUPPLY PUMP BRACKET	E21
291	18090-G011-020002	AIR PUMP	E21
292	18092-0000-970002	PIPE 9X15X(30+140)	E21
293	18092-0000-A001Q	EXHAUST RUBBER PIPE	E21
294	1809B-G011-02000YQ	EXHAUST IRON PIPE ASSY	E21
295	1M01D0068	ENGINE	E01
296	21200-H0E5-000006	STARTING ARM	F05
297	21208-H259-0000	RUBBER BUSH STARTING ARM	F05
298	24400-G129-00000GQ	GEAR SHIFT FOOTPEG	F05
299	24425-I126-C000	RUBBER BUSH GEAR SHIFT FOOTPEG ROD	F05
300	26012-519-0022	BATTERY	E18
301	26400-4280-0100Q	CHAIN 428X100	F16
302	26411-0000-000000	CONNECTING END CHAIN (S)	F16
303	26411-0000-010000	CHAIN JOINT	F16
304	26412-0000-000000	CHAIN CLIP	F16
305	26413-0000-000000	CHAIN PRESSURE BOARD	F16
306	31100-H418-060001	FRAME	F01
307	31203-H418-020003	BRACKET FRONT COVER	F01
308	31221-H206-0100Q	FRONT SUSPENSION RUBBER PLUG	F01
309	32100-H261-000002	FRONT FOOTPEG ASSEMBLY	F03
310	32101-H0E5-0100	RUBBER BUSH FRONT FOOTPEG	F03
311	32102-H206-0000	SPRING SIDE BRACKET	F03
312	3210T-H0E5-000001	RIGHT REAR PEDAL	F06
313	3210U-H0E5-000001	LEFT REAR PEDAL	F06
314	32130-H261-000002	WELDING ASSY SIDE STAND	F03
315	32131-H206-00000B	BOLT SIDE BRACKET	F03
316	32147-H261-000001	WELDING COMPONENTS FRONT FOOTPEG	F03
317	32200-H0E5-010002	MAIN BRACKET	F04
318	32202-H206-000002	SPRING MAIN BRACKET	F04
319	32203-H206-000002	HOOK MAIN BRACKET	F04
320	32204-H206-0100Q	DAMPING PAD MAIN BRACKET	F04

PART-NO AND DESCRIPTION

NO	PART-NO	DESCRIPTION	GRID NO.
321	32281-H206-000001	SHAFT MAIN BRACKET	F04
322	32410-H0E5-050004	LEFT REAR PEDAL ASSY	F06
323	32415-H0E5-030002	BRACKET LEFT REAR PEDAL	F06
324	32420-H0E5-050003	RIGHT REAR PEDAL ASSY	F06
325	32425-H0E5-030002	BRACKET RIGHT REAR PEDAL	F06
326	32471-H870-C00001	PIN SHAFT	F06
327	33300-H670-C00072	REAR ABSORBER SHOCK	F02
328	34100-H670-030091	LEFT FRONT ABSORBER	F09
329	34102-H670-010000	FR DAMPING SPRING	F09
330	34103-H670-000000	FR SHOCK ABSORBER PISTON RING	F09
331	34105-H670-000000	FR SHOCK ABSORBER DUST COVER	F09
332	34107-H670-C000	FR DAMPING OIL SEAL	F09
333	34108-H670-010000	LH FR SHOCK ABSORBER BOTTOM CYL	F09
334	34109-H670-010000	RH FR SHOCK ABSORBER BOTTOM CYL	F09
335	34112-H670-000000	FR SHOCK ABSORBER LOCATING TUBE	F09
336	3411A-H670-010000	FR SHOCK ABSORBER FORK TUBE ASSY	F09
337	34120-H670-000000	FR SHOCK ABSORBER END CAP PLUG	F09
338	34121-H670-000000	FR S/ABSORBER END CAP PLUG O-RING	F09
339	34123-H670-000000	FR SHOCK ABSORBER BUFFER SPRING	F09
340	34127-H670-000000	FR SHOCK ABSORBER OIL SEAL RETAINER	F09
341	34200-H670-030091	RIGHT FRONT ABSORBER	F09
342	35001-H206-0000Q	PROTECTING CLIP CHAIN	F02
343	35011-H206-000002	LEFT ADJUSTER CHAIN	F18
344	35012-H206-000002	RIGHT ADJUSTER CHAIN	F18
345	35110-H670-0000	UPPER CHAIN CASE	F16
346	35200-H418-010003	FORK ASSEMBLY	F02
347	3520A-H418-010001	FORK WELDING ASSY	F02
348	3520B-H418-000000	SHAFT BUSH SUB ASSY	F02
349	35214-G124-000002	CONNECTING BOLT	F02
350	35215-G124-00006N	POSITIONING PIPE REAR BRAKE	F02
351	35281-H0E5-000001	SHAFT, FORK	F02
352	41009-519-0047	TYRE-ASSY-FRONT	F17
353	41009-519-0048	TYRE -ASSY-REAR	F18
354	41100-H418-040008	SEATS FOR DOUBLE MEN	F20
355	41111-H418-000001	GEMEL SEAT CUSHION	F20
356	41490-H418-000002	LOCK SEAT	F20
357	42200-H418-010002	GROUPWARE REAR ARMREST	F07
358	42359-H0E5-000001	U-SHAPED LIMIT BLOCK OF REAR PEDAL	F06
359	42424-H670-0000Q	LOWER RUBBER PAD, SUNDRIES BOX	F13
360	42600-H670-0000	MIDDLE GOODS CASE	F13

NO	PART-NO	DESCRIPTION	GRID NO.
361	42603-H0E5-000002	CAP MIDDLE GOOD CASE	F13
362	51102-H259-02001XQ	RIGHT BUSH FRONT WHEEL	F17
363	51108-0000-0200	FRONT WHEEL SUPPORTING RING	F18
364	51108-0000-0400	FRONT WHEEL SUPPORTING RING	F17
365	51116-0000-3400	OIL SEAL HUB 20X37X7	F17
366	51117-0000-49000C	INNER BUSH DIA.20X12X55.5 HUB	F18
367	51117-0000-80000B	INNER BUSH HUB DIA.18X12X42.2	F17
368	51120-H136-C00066Q	FRONT ALUMINIUM WHEEL 1.4X17	F17
369	51181-G134-000003	AXLE FRONT WHEEL	F17
370	51201-H259-010002	REAR WHEEL BUSH LEFT	F18
371	51202-H206-000002	REAR WHEEL BUSH RIGHT	F18
372	51218-0000-0100	REAR WHEEL DAMPING BLOCK	F18
373	51220-H136-060066Q	REAR ALIMINUM WHEEL	F18
374	51281-H206-000002	REAR WHEEL AXLE	F18
375	52100-H259-020002	REAR BRAKING LEVER	F05
376	52105-H0E5-000004	ETURNING SPRING, REAR BRAKER	F05
377	52200-H259-010002	PULL ROD REAR BRAKE	F05
378	54100-H206-050098	FRONT BRAKE	F11
379	54104-H206-0000	PULLSPRING, FRONTBRAKE	F11
380	54107-H206-000001	RETURNING SPRING FRONT BRAKE	F11
381	54112-H206-000001	CAM FRONT BRAKE	F11
382	54114-H206-0000	FRONT BRAKE TACHOMETER GEAR SHAFT	F11
383	54115-H206-000001	PULL ARM FRONT BRAKE	F11
384	54121-H206-000001	INDICATING BOARD FRONT BRAKE	F11
385	54140-H206-000090	COVER FRONT BRAKE	F11
386	54141-H206-0000	FELT FRONT BRAKE	F12
387	54150-H206-0000	PAD FRONTBRAKE ASSY	F11
388	54168-H206-020001	HELICAL GEAR COMBINATION	F11
389	54200-H206-060004	REAR BRAKE	F12
390	54201-H206-0000	PAD SPRING REAR BRAKE	F12
391	54205-H206-000001	CAP REAR BRAKE	F12
392	54207-H206-00001X	PULLING ARM REAR BRAKE	F12
393	54208-H206-00001X	INDICATINGBOARD REAR BRAKE	F12
394	54209-H206-00001X	CAM REAR BRAKE	F12
395	54220-H206-0200	PAD REAR BRAKE	F12
396	55000-H199-C20003	BUFFER ASSY 36T	F19
397	55001-H206-C00066	BUFFER SINGLE	F19
398	55002-H206-000001	SPROCKET WHEEL 36T	F19
399	55005-0000-1500	OIL SEAL 26X40X6.5/11 BUFFER	F19
400	55007-H206-000001	LOCK PLATE	F19

PART-NO AND DESCRIPTION

NO	PART-NO	DESCRIPTION	GRID NO.
401	55008-H206-000002	SPROCKET BUSH	F18
402	55009-H206-000001	ADJUSTING NUT INNER BUSH BUMPER	F18
403	61100-H670-020001	FUEL TANK	F10
404	61140-G129-00000C	CAP FUEL TANK	F20
405	61180-0000-050001	FUEL FILTER	F10
406	613140070ZGT0000XQ	OIL PIPE ASSY 4X8X70	E19
407	613140120ZGT0000XQ	OIL PIPE ASSY 4X8X120	E19
408	613140650ZGT0000XQ	COMPOUND FUEL PIPE DIA.4X8X650	F10
409	62203-H418-0000	DEC. BLOCK CENTRALPROTECTING BOARD	F25
410	62209-H418-0000	PROTECTING BOARD CENTRAL FRONT	F25
411	62218-H418-000087	PROTECTING BOARD CENTRAL REAR	F26
412	6222B-0000-0300Q	H SHAPE RUBBER WASHER 7X9X14-2.1+2.8+2.1	F22
413	6222B-0000-1200Q	RUBBER PAD DIA.8.5X12X17-2.5+3+2.5	F14
414	6222B-0000-1200Q	RUBBER WASHER DIA.8.5X12X17-2.5+3+2.5	F24
415	6222B-0000-2200Q	RUBBER WASHER 13X17X26-3+4+3	F27
416	6222D-0000-1200Q	RUBBER PAD	E03
417	62301-H418-000398	FRONT WIND COVER (YELLOW)	F24
418	62301-H418-000399	FRONT WIND COVER (BLACK)	F24
419	62301-H418-000400	FRONT WIND COVER (BLUE)	F24
420	62307-H418-020205	DECORATION PARTS FRONT WIND COVER	F24
421	62308-H670-0000	CAP FRAME NUMBER	F13
422	62313-H0E5-010001	LABEL, FRONT WIND COVER	F24
423	62402-H418-000532	EXTERNAL BOARD LH WIND BOARD (YELLOW)	F25
424	62402-H418-000533	EXTERNAL BOARD LH WIND BOARD (BLACK)	F25
425	62402-H418-000534	EXTERNAL BOARD LH WIND BOARD (BLUE)	F25
426	62403-H418-000532	EXTERNAL BOARD RH WIND BOARD (YELLOW)	F25
427	62403-H418-000533	EXTERNAL BOARD RH WIND BOARD (BACK)	F25
428	62403-H418-000534	EXTERNAL BOARD RH WIND BOARD (BLUE)	F25
429	63001-H418-V90000	PATTERN-SET COLOUR BLACK	D01
430	63001-H418-W10000	PATTERN-SET COLOUR BLUE	D01
431	63001-H418-W20000	PATTERN-SET COLOUR YELLOW	D01
432	63020-H0E5-000002	LABEL, FRONTWINDCOVER	F22
433	63104-H670-000095	FRONT FENDER (YELLOW)	F29
434	63104-H670-000096	FRONT FENDER (BLUE)	F29
435	63104-H670-000097	FRONT FENDER (BLACK)	F29
436	63111-H418-0000Q	WIRE PROTECTING RING	F29
437	63126-H670-000076	RIGHT DECO CAP FRONT FENDER (BLACK)	F29
438	63126-H670-0000KR	RIGHT DECO CAP FRONT FENDER (BLUE)	F29
439	63126-H670-0000ML	RIGHT DECO CAP FRONT FENDER (YELLOW)	F29
440	63127-H670-000076	LEFT DECO CAP FRONT FENDER (BLACK)	F29

NO	PART-NO	DESCRIPTION	GRID NO.
441	63127-H670-0000KR	LEFT DECO CAP FRONT FENDER (BLUE)	F29
442	63127-H670-0000ML	LEFT DECO CAP FRONT FENDER (YELLOW)	F29
443	6312E-H418-000025	OUTER PLATE OF RH WIND DEFLECTOR(YELLOW)	F28
444	6312E-H418-000026	OUTER PLATE OF RH WIND DEFLECTOR (BLACK)	F28
445	6312E-H418-000027	OUTER PLATE OF RH WIND DEFLECTOR (BLUE)	F28
446	6312F-H418-000025	LEFT WIND DEFLECTOR OUTER PANEL (YELLOW)	F28
447	6312F-H418-000026	LEFT WIND DEFLECTOR OUTER PANEL (BLACK)	F28
448	6312F-H418-000027	LEFT WIND DEFLECTOR OUTER PANEL (BLUE)	F28
449	63143-H259-0000Q	RUBBER PLUG, REAR FENDER	F29
450	63201-H418-0000	FRONT PART, REAR FENDER	F14
451	63202-H418-0000	REAR PART REAR FENDER	F15
452	63301-H418-000526	LEFT SIDE CAP (YELLOW)	F27
453	63301-H418-000527	LEFT SIDE CAP (BLACK)	F27
454	63301-H418-000528	LEFT SIDE CAP (BLUE)	F27
455	63332-H418-000526	RIGHT SIDE CAP (YELLOW)	F27
456	63332-H418-000527	RIGHT SIDE CAP (BLACK)	F27
457	63332-H418-000528	RIGHT SIDE CAP (BLUE)	F27
458	63341-H418-000419	CAP VEHICLE LH PART (YELLOW)	F27
459	63341-H418-000420	CAP VEHICLE LH PART (BLACK)	F27
460	63341-H418-000421	CAP VEHICLE LH PART (BLUE)	F27
461	63342-H206-0100Q	RUBBER PLUG VEHICLE	F01
462	6334A-H418-0000	DECORATION BLOCK LH VEHICLE CAP	F27
463	63352-H418-000419	CAP VEHICLE RH PART (YELLOW)	F27
464	63352-H418-000420	CAP VEHICLE RH PART (BLACK)	F27
465	63352-H418-000421	CAP VEHICLE RH PART (BLUE)	F27
466	6335A-H418-0000	DECORATION BLOCK RH VEHICLE CAP	F27
467	63401-H418-010019	LEFT WIND BOARD (YELLOW)	F28
468	63401-H418-010020	LEFT WIND BOARD (BLACK)	F28
469	63401-H418-010021	LEFT WIND BOARD (BLUE)	F28
470	63406-H418-010019	RIGHT WIND BOARD (YELLOW)	F28
471	63406-H418-010020	RIGHT WIND BOARD (BLACK)	F28
472	63406-H418-010021	RIGHT WIND BOARD (BLUE)	F28
473	63412-H418-0000	DECORATION PARTS LH WIND BOARD	F28
474	63413-H418-0000	DECORATION PARTS RH WIND BOARD	F28
475	63424-H418-010003	BRACKET WIND BOARD	F28
476	63437-H418-000003	BRACKET MAIN CABLE	F01
477	63501-H0E5-000084	SHELL, HEADLIGHT (YELLOW)	F21
478	63501-H0E5-000085	SHELL, HEADLIGHT (BLACK)	F21
479	63501-H0E5-000086	SHELL, HEADLIGHT (BLUE)	F21
480	63505-H0E5-0000	SHELL, INSTRUMENT	F22

PART-NO AND DESCRIPTION

NO	PART-NO	DESCRIPTION	GRID NO.
481	63602-H418-000080	TAIL CAP (YELLOW)	F27
482	63602-H418-000081	TAIL CAP (BLACK)	F27
483	63602-H418-000082	TAIL CAP (BLUE)	F27
484	69110-H0P8-000005	LEFT REAR VIEW MIRROR	F08
485	69120-H0P8-000005	RIGHT REAR VIEW MIRROR	F08
486	71105-H206-00001XQ	ADJUSTING NUT STEERING POST	F09
487	71106-H206-00001XQ	LOCK NUT STEERING POST	F09
488	7110A-H259-030002	STEERING POST ASSY	F09
489	71123-H206-00001XQ	PLANE WASHER STEERING POST	F09
490	71135-H206-00001XQ	CLIP RING STEERING ROD	F09
491	71201-G124-0000	UPPER CHECK RING BEARING 26	F09
492	71202-G124-0000	LOWER CHECK BEARING 34	F09
493	71203-G124-0000	UPPER SEAT RING BEARING 45	F09
494	71204-G124-0000	LOWER SEAT BEARING 54	F09
495	71208-H418-0000	UPPER RETAINING BRACKET	F09
496	71209-H418-0000	LOWER RETAINING BRACKET	F09
497	72010-H206-0100Q	RUBBER BUSH, LEFT HANDLEBAR	F08
498	72020-H206-0100Q	RUBBER BUSH ASSEMBLY RIGHT HANDLEBAR	F08
499	72032-H0E5-000004	DECORATION HEAD PART	F08
500	72100-H0E5-010001	TUBE, STEERING HANDLEBAR	F08
501	72118-0000-00001XQ	LOCKING BUSH, STEERING HANDLEBAR TUBE	F08
502	72207-H206-0100Q	BRACKET, CHOKE	F08
503	72208-H259-0100Q	HANDLEBAR, CHOKE	F08
504	72210-H206-020002	LIGHT SHIFT SWITCH	F22
505	72215-H206-0100Q	SKIDPROOF GASKET, CHOKE	F08
506	72220-H206-020002	SWITCH TURNING LAMP	F22
507	72230-H206-030002	SWITCH HORN	F22
508	72270-H206-030002	ELECTRIC STARTING SWITCH	F22
509	72293-H418-000002	SWITCH ILLUMINATOR	F22
510	72309-H259-000067	HANDLE FRONT BRAKE	F08
511	72400DWZ09706451CQ	CABLE THROTTLE	F23
512	72500AZZ07210801CQ	CABLE FRONT BRAKE	F23
513	72700CZZ06206101CQ	CABLE CHOKE	F23
514	72900AZZ03501401CQ	CABLE SEAT LOCK	F23
515	81100-H418-0000Q	IGNITION COIL	E18
516	81110-I357-0000	SPARK PLUG CAP	E18
517	81120-H418-0000	IGNITION COIN BUNDLE	E18
518	81200-H670-0000Q	IGNITOR	E18
519	82290-I258-000002	STARTING RELAY	E18
520	82400-0000-0200	USB INTERFACE	F13

NO	PART-NO	DESCRIPTION	GRID NO.
521	83100-H259-C000Q	RECTIFIER	E18
522	84600-H418-C000	SWITCH REAR BRAKING LAMP	E18
523	84602-H206-000002	SWITCH SPRING REAR BRAKING LAMP	F05
524	85100-H418-C00006	MAIN CABLE	E18
525	85171-0000-0000	FUSE 10A	E18
526	85500-H259-010001	HORN	E18
527	85600-I126-C10001Q	FLASHER	E18
528	85830-M154-000003	REFLECTOR REAR	F15
529	85850-M154-010002	SIDE REFLECTOR	F29
530	86100-H0E5-000001	HEADLIGHT	F21
531	8610Z-H0E5-0000	REFLECTOR AND LAMPSHADE ASSEMBLY	F21
532	86111-H0E5-0000	WIRE FRONT LAMP	F21
533	86112-0000-0000	BULB POSITION LAMP	F21
534	86146-H670-010001	ADJUSTING SCREW	F21
535	86160-0000-C490	BULB FRONT LAMP (12V25/25W)	F21
536	86200-H418-C10003	REAR LAMP ASSY	F15
537	86204-H418-000001	LAMPSHADE, REAR LAMP	F15
538	86260-0000-C270	BULB	F15
539	86300-H418-0000Q	LEFT TURNING LAMP FRONT	F24
540	86340-0000-0300	BULB TURNING LAMP 12V10W	F24
541	86350-H418-000001	CABLE ASSY FRONT LEFT TURNING LAMP	F24
542	86400-H418-0000Q	RIGHT TURNING LAMP FRONT	F24
543	86450-H418-000001	CABLE ASSY FRONT RIGHT TURNING LAMP	F24
544	86500-H0E5-010002	LEFT TURNING LAMP, REAR	F15
545	86600-H0E5-010002	RIGHT TRUNING LAMP, REAR	F15
546	86700-J0A2-000002	REAR LICENSE PLATE LAMP	F15
547	86720-0000-0200	BULB	F15
548	86800-B1P6-000002	TO LOCATE BLOCK	F15
549	87100-H0E5-000015	METER ASSY	F22
550	87123-0000-0300	BULB METER 12V/1.7W	F22
551	87123-0000-0400	BULB METER 12V3W	F22
552	87200-H670-0000	FUEL SENSOR	F10
553	87201-H418-000002	SEAL RING SENSOR	F10
554	87300AZZ02009601CQ	CABLE ODOMETER	F23
555	90101-10400000250	O-RING 40.4X2.5X3	F18
556	90268-DA80-0000	EXHAUST IRON PIPE SEAL PAD	E21
557	90275-I008-0000	SECONDARY AIR PUMP BRACKET	E21
558	91112-1060-01771X	BOLT M6X17	F29
559	91113-1080-13371X	BOLT M8X33(10X18)	F12
560	91202-1080-01831X	CAP NUT M8X17.5	E03

PART-NO AND DESCRIPTION

NO	PART-NO	DESCRIPTION	GRID NO.
561	91205-1042-017T1X	CLIP ST4.2X17X11	F13
562	91205-1042-017T1X	CLIP ST4.2-17X11	F14
563	91205-1042-017T1X	CLIP ST4.2X17	F15
564	91205-1042-017T1X	SELF TAPPING CLIP ST4.2X17	F21
565	91205-1042-017T1X	SELF TAPPING CLIP ST4.2X17	F24
566	91205-1042-017T1X	CLIP SELF TAPPING ST4.2X17	F25
567	91205-1042-017T1X	CLIP ST4.2-17X11	F27
568	91205-1042-017T1X	CLIP ST4.2X17X11	F28
569	91205-1042-017T1X	CLIP SELF TAPPING ST4.2-17X11	F29
570	91218-1060-022T0U	CLIP M6X22.3X15	F01
571	91218-1060-022T0U	CLIP M6X22.3X15	F26
572	91218-1060-022T0U	CLIP M6X22.3X15	F28
573	91301-0060-25021X	WASHER DIA.6X25X2	F29
574	91301-0100-25021X	PLANE WASHER 10XDIA.25-2	F02
575	91301-0170-23021X	WASHER DIA.17X23X1.5	F04
576	91301-9060-116K1X	WASHER DIA.6X16X1.2	F15
577	91301-9080-220K1X	WASHER 8X20X2	F12
578	91302-9050-15061X	FLANGED WASHER 5X15X6-1	F22
579	91302-9060-15061X	WASHER FLANGED	E03
580	91302-9060-18061X	FLANGED WASHER DIA.6X18-7	F14
581	91302-9060-18061X	FLANGED WASHER DIA.6X18-7	F24
582	91302-9060-18061X	FLANGED WASHER DIA.6X18-7	F25
583	91302-9060-20161X	FLANGED WASHER DIA.6.5XDIA.20X18	F13
584	91302-9080-24091X	FLANGED WASHER 8X24X9	F07
585	9131B-0000-0300Q	RUBBER PLANE PAD 10X21X4.5	F12
586	92102-0006203-2RS	BEARING 6203-2RS	F19
587	92102-0006300-2RS	BEARING 6300-2RS	F17
588	92102-0006301-2RS	BEARING 6301-2RS	F18
589	92160-519-0058	DAMPER BATTERY	E18
590	93319-0030-024U1X	CLIP 12X24 (R3)	F21
591	9A113-1050-01471X	SCREW M5X14	F10
592	9A113-1060-01671X	SCREW M6X16	E03
593	9A113-1060-01671X	BOLT M6X16	F15
594	9A113-1060-01671X	SCREW M6X16	F24
595	9A113-1060-01671X	SCREW M6X16	F25
596	9A113-1060-01671X	SCREW M6X16	F26
597	9A113-1060-01671X	SCREW M6X16	F26
598	9A113-1060-01671X	SCREW M6X16	F27
599	9A113-1060-02071X	SCREW M6X20	F25
600	9A113-1060-02571X	SCREW M6X25	F25

NO	PART-NO	DESCRIPTION	GRID NO.
601	9A113-1060-02571X	SCREW M6X25	F28
602	9A113-1060-04070H	SCREW M6X40	F28
603	9A131-1050-01671X	SCREW 11/M5X16	F22
604	9A133-1039-013X1X	SCREW ST3.9X13	F22
605	9A133-1042-010X0X	SCREW ST4.2X10	F24
606	9A133-1042-010X0X	SCREW ST4.2X10	F27
607	9A133-1042-013X1X	SELF TAPPING SCREW ST4.2X13	F02
608	9A133-1042-013X1X	SCREW ST4.2X13	F13
609	9A133-1042-013X1X	SCREW ST4.2X13	F14
610	9A133-1042-013X1X	SCREW ST4.2X13	F15
611	9A133-1042-013X1X	SCREW DIA.9/ST4.2X13	F22
612	9A133-1042-013X1X	SCREW ST4.2X13	F24
613	9A133-1042-013X1X	SCREW ST4.2X13	F25
614	9A133-1042-013X1X	SCREW ST4.2X13	F27
615	9A133-1042-013X1X	SCREW ST4.2X13	F28
616	9A133-1042-013X1X	SELF TAPPING SCREW ST4.2X13	F29
617	9A133-1042-016X1X	SCREW ST4.2X16	F15
618	9A133-1042-016X1X	SCREW ST4.2X16	F22
619	9A133-1042-016X1X	SCREW ST4.2X16	F25
620	9A133-1042-040X1X	SCREW ST4.2X40	F28
621	B000910002001601X	OPENING PIN 2X16	F02
622	B000910002001601X	OPENING PIN 2X16	F05
623	B000910002001601X	OPEN PIN 2X16	F06
624	B000910002001601X	OPENING PIN 2X16	F12
625	B000930005000001X	SPRING WASHER 5	F08
626	B000930008000001X	SPRING WASHER 10	F02
627	B000930008000001X	SPRING WASHER 8	F03
628	B000930008000001X	SPRING WASHER 8	F12
629	B0009601050000K1X	PLANE PAD 5	F08
630	B0009601060000K1X	WASHER 6	F13
631	B0009601060000K1X	WASHER 6	F15
632	B0009601060000K1X	WASHER 6	F16
633	B0009601060000K1X	WASHER 6	F25
634	B0009601060000K1X	WASHER 6	F26
635	B0009601060000K1X	WASHER 6	F27
636	B0009601060000K1X	WASHER 6	F28
637	B0009601060000K1X	WASHER 6	F30
638	B0009601080000K1X	WASHER 8	E03
639	B0009601080000K1X	WASHER 8	F01
640	B0009701060000K1X	PLANE PAD 6	F05

PART-NO AND DESCRIPTION

NO	PART-NO	DESCRIPTION	GRID NO.
641	B0009701060000K1X	WASHER 6	F06
642	B0009701060000K1X	WASHER 6	F11
643	B0009701060000K1X	WASHER 6	F12
644	B0009701080000K1X	PLANE PAD	F03
645	B0009701080000K1X	WASHER 8	F07
646	B0009701100000K1X	PLANE WASHER 10	F02
647	B008180005001221X	SCREW M5X12	F08
648	B008180005001621X	SCREW M5X16	F08
649	B008190106001021X	SCREW M6X10	F20
650	B008940117000001X	CLIP SHAFT	F04
651	B009230010000061X	CAP NUT M10X1.25	F02
652	B057820006002571X	BOLT M6X25	F11
653	B057820006003571X	BOLT M6X35	F12
654	B057820008003671C	BOLT M8X36	F19
655	B057830005001270B	BOLT M5X12	F20
656	B057830005001671X	M5X16	E18
657	B057830006002071X	BOLT M6X20	F05
658	B057830006002571X	BOLT M6X25	F05
659	B057890006000871X	BOLT M6X8	E18
660	B057890006001271X	BOLT M6X12	E18
661	B057890006001271X	BOLT M6X12	F15
662	B057890006001271X	BOLT M6X12	F16
663	B057890006001271X	BOLT M6X12	F30
664	B057890006001671X	BOLT M6X16	F13
665	B057890006002071X	BOLT M6X20	F28
666	B057890008002071X	BOLT M8X20	F03
667	B057890008002071X	BOLT M8X20	F06
668	B0578900080040T1X	BOLT M8X40	E03
669	B0578900080040T1X	BOLT M8X40	F07
670	B0578900080100T1X	BOLT M8X100	F01
671	B0578900080115T1X	BOLT M8X115	F01
672	B057892010003771X	BOLT M10X1.25X37	F02
673	B057892010004571X	BOLT 10X1.25X45	F09
674	B057892010005071X	BOLT M10X1.25X50	F08
675	B061700008000061C	NUT M8	F19
676	B061700008000061X	NUT M8	F12
677	B061710010000061X	NUT M10X1.25	F02
678	B061710010000061X	NUT M10X1.25	F03
679	B061770106000061X	NUT M6	F01
680	B061770106000061X	NUT M6	F11

NO	PART-NO	DESCRIPTION	GRID NO.
681	B061770106000061X	NUT M6	F12
682	B061770106000061X	NUT M6	F15
683	B061770106000061X	NUT M6	F29
684	B061800008000061X	NUT M8	F02
685	B061870108000061X	NUT M8	E03
686	B061870108000061X	NUT M8	F01
687	B061870210000061X	NUT M10X1.25	F02
688	B061870210000061X	NUT M10X1.25	F08
689	B061870210000061X	NUT M10X1.25	F17
690	B061870212000061X	NUT M12X1.25	F18
691	B166740106001671X	BOLT M6X16	E21
692	B166740106001671X	BOLT M6X16	F14
693	B166740106001671X	BOLT M6X16	F15
694	B166740106002571X	BOLT M6X25	E19
695	B166740106002571X	BOLT M6X25	E21
696	B166740106003071X	BOLT M6X30	F13
697	B166740106005571X	BOLT M6X55	F01
698			
699			
700			
701			
702			
703			
704			
705			
706			
707			
708			
709			
710			
711			
712			
713			
714			
715			
716			
717			
718			
719			
720			



Motosikal dan Enjin Nasional Sdn Bhd
Kawasan Gurun Perusahaan Gurun, 08300 Gurun, Kedah Darul Aman, Malaysia
Tel : 604-466 8000 Fax : 604-466 8300

Pusat Panggilan Pelanggan **1 800 880 181** www.modenas.com.my

WhatsApp Talian Khidmat Pelanggan **+6019-570 8135**

Edaran MODENAS Sales & Marketing Office
EON Head Office Complex, No. 2 Level 2 Persiaran Kerjaya, Taman Perindustrian Glenmerie ,
Section U1 40150, Shah Alam, Selangor Darul Ehsan
Tel : 03-7880 2775 Fax : 03-7880 2290

MODENAS Service Centres in Malaysia

● Kedah	Kawasan Perindustrian Gurun, 08300 Kedah.	Tel : 04-466 8236 : 04-466 8238	Fax: 04-466 8109
● Perak	No. 123, Jalan Raja Musa Aziz, 30300 Ipoh, Perak	Tel : 05-249 8961 : 04-466 8117	Fax: 05-249 8965
● Selangor	No. 62 & 64 Jalan Pluto AY, U5/AY, Seksyen U5 40150 Shah Alam, Selangor.	Tel : 04-466 8160	Fax: 03-784 50972
● Pahang	No. A 149, Lorong Seri Teruntum 8, Jalan Dato Wong Ah Jang, Taman Tunas Maju, 25200 Kuantan, Pahang.	Tel : 09-512 3380 : 04-466 8199	Fax: 09-512 3383
● Johor	No. 1, Jalan Kempas 2, Taman Tanah Tampoi 81200 Johor Bahru, Johor.	Tel : 07-236 1695 : 04-466 8148	Fax: 07-235 2693

A Member Of :



[JILID-01/2023]
99924-L077-00

Distributor :

