



MODENAS

(Company No: 354613-V)

PARTS CATALOGUE

Elegant EX
250 SN250K-A3MY



A Member of

DRB-HICOM

ABOUT THIS PARTS LIST

- This parts list is compiled all service parts for model P411 | SN250K-A3MY | KS50BM(MY).
- Any difference between color chart and motorcycle will be revised according to motorcycle.
- The Mark:
 1. Marking "***" must add color code in the end before ordering parts.
 2. Marking "#" are parts with modification, Please find the details from e-Parts system.
- When modification or additions to this parts list are made a revised edition at an appropriate time.

CONTENTS

● ABOUT THIS PARTS LIST	1
● COLOR CHART OF KS50BM(MY)	3
● CONTENTS-ENGINE GROUP	7
● CONTENTS-FRAME GROUP	8
● ENGINE PARTS LIST	11
● FRAME PARTS LIST	37
● PART NO. INDEX	103

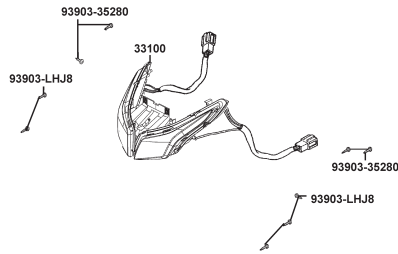
NO	MODEL			COLOR CHART OF KS50BM(MY)			
	PHOTO NO			NO. 1	NO. 2		
	BASIC COLOR			Mat Silver Crystal	Petroleum Blue		
	CODE			Mat Silver Crystal	Petroleum Blue		
	PARTS NAME	PARTS NO.	VERSION	NH263FAB	CG411MA		
1	PROTECTOR.MUFFLER	18318-ACD5-E00	1	D1C			
2	COVER LEFT	11341-ABD2-C00	0	HJA			
3	BAR ASSY R	5070A-ALD9-E10	0				
4	BAR ASSY L	5070B-ALD9-E10	0	J2P			UZP
5	COVER FR	64301-ABD2-C00	0				
6	SKIRT A R SIDE	64305-ABD2-C00	0				
7	SKIRT A. L SIDE	64306-ABD2-C00	0				
8	SKIRT B. R SIDE	64307-ABD2-C00	0				
9	SKIRT B. L SIDE	64308-ABD2-C00	0	HJP			
10	COVER A KEY	81151-ABD2-C00	0				
11	CARRIER RR	81200-ABD2-C00	0	HJS			
12	"PROTECTOR,EXHAUST	18325-ABD2-C00-HJS	0	M3A			
13	LEVER R STRG HANDLE	53175-LKF5-C00	0				
14	LEVER L STRG HANDLE	53178-LKF5-C00	0	N1R			
15	"ELEMENT COMP., L	11350-LHG7-C00	0				
16	"COVER,RADIATOR"	19025-ABD2-C01	0				
17	COVER BATTERY	50326-ABD2-C00	0				
18	COVER ASSY BATTERY	50327-ABD2-C01	0				
19	"ASSY., UNDER COVER"	5061A-ABD2-C00	0				
20	"COVER, HANDLE UP"	53205-ABD2-C00	0				
21	COVER HANDLE RR	53206-ABD2-C00	0				
22	"ASSY.,FR.METER	5320A-ABD2-C00	0				
23	"COVER ,METER"	5320B-ABD2-C01	0				
24	"INNER FENDER,	61110-ABD2-C00	0				
25	"COLLAR,WIND	64223-LEA7-C00	0				
DATE OF STARTING-SALES							
DATE OF END-SALES							

NO	MODEL			COLOR CHART OF KS50BM(MY)							
	PHOTO NO			NO. 1	NO. 2						
	BASIC COLOR			Mat Silver Crystal	Petroleum Blue						
	CODE			Mat Silver Crystal	Petroleum Blue						
	PARTS NAME	PARTS NO.	VERSION	NH263FAB	CG411MA						
26	"ASSY., PANEL R	6431A-ABD2-C00	0	N1R							
27	"MAT ,R FLOOR"	64320-ABD2-C00	0								
28	"ASSY., PANEL L	6433A-ABD2-C00	0								
29	"MAT ,L FLOOR"	64340-ABD2-C00	0								
30	"MAT ,R LEG SHIELD"	64350-ABD2-C00	0								
31	"MAT ,L LEG SHIELD"	64360-ABD2-C00	0								
32	"COWL, UNDER"	64400-ABD2-C00	0								
33	"FENDER,RR INNER"	80101-ABD2-C00	0								
34	"FENDER, REAR"	80105-ABD2-C00	0								
35	COVER LICENSE LIGHT	80107-ABD2-C00	0								
36	FENDER ASSY RR	8010A-ABD2-C00	0								
37	"COVER, CENTER"	80151-ABD2-C00	0								
38	"LID, FUEL CAP MAINT."	80152-ABD2-C00	0								
39	"LID, RESERVE TANK"	81122-ABD2-C00	0								
40	"ASSY., LEG SHIELD"	8113A-ABD2-C00	0								
41	"BOX ASSY.,L FRONT"	8113B-ABD2-C00	0								
42	"COVER,CARRIER	81201-ABD2-C00	0								
43	"COVER, P.D.A MAINT."	81252-ABD2-C00	0								
44	"ASSY., BOX LUGGAGE"	81260-ABD2-C00	0								
45	"BOARD B, R SIDE"	83532-ABD2-C00	0								
46	"BOARD B, L SIDE"	83534-ABD2-C00	0								
47	COVER COMP R CRANK	11331-LLJ3-C00	0					NEA			
48	COVER ASSY WATER	1922A-KHE7-C00	0								
49	CALIPER ASSYRR	43100-LGE5-C01	0								
50	"CALIPER ASSY, FR R"	45200-LKG7-C01	0								
DATE OF STARTING-SALES											
DATE OF END-SALES											

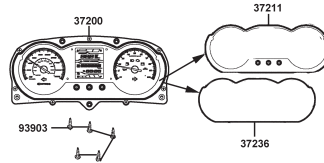
NO	MODEL			COLOR CHART OF KS50BM(MY)			
	PHOTO NO			NO. 1	NO. 2		
	BASIC COLOR			Mat Silver Crystal	Petroleum Blue		
	CODE			Mat Silver Crystal	Petroleum Blue		
	PARTS NAME	PARTS NO.	VERSION	NH263FAB	CG411MA		
51	FORK ASSY RH FR	51400-ABD2-E00	0	NEA			
52	BOTTOM CASE R	51420-ABD2-C00	0				
53	FORK ASSY LH FR	51500-ABD2-E00	0				
54	BOTTOM CASE L	51520-ABD2-C00	0				
55	CAP ACG	90084-4H28-C00	0				
56	CAP ASSY R COVER	9008A-KHE7-C00	0				
57	CUSHION ASSY REAR	52400-ABD2-E00	0	NES			
58	SEAT ASSY.	77200-ABD2-C00	0	T01			
59	EMB DMA STRIDER	86020-ACJ2-BJ0	0				
60	STRIPE R FR FENDER	86561-ACJ1-E30	0				
61	STRIPE L FR FENDER	86571-ACJ1-E30	0				
62	MARK KYMCO	87206-ACJ2-BJ0	0				
63	STRIPE MARK ABS	87311-ABD2-C00	0				
64	FRONT FENDER	61100-ABD2-C00	0	J2P			UZP
65	"FRONT MOLD, R"	64302-ABD2-C00	0				
66	"FRONT MOLD, L"	64303-ABD2-C00	0				
67	"COVER, R BODY"	83500-ABD2-C00	0				
68	BOARD A R SIDE	83530-ABD2-C00	0				
69	COVER L BODY	83600-ABD2-C00	0				
70	"BOARD A ,L SIDE"	83630-ABD2-C00	0	J2P			UZP
71	COVER RR CENTER	83750-ABD2-C00	0				
72	WHEEL RR CAST	42601-ABD2-E30	0				
73	WHEEL FR CAST	44601-ABD2-E30	0	YYA			
DATE OF STARTING-SALES							
DATE OF END-SALES							

CONTENTS - FRAME GROUP

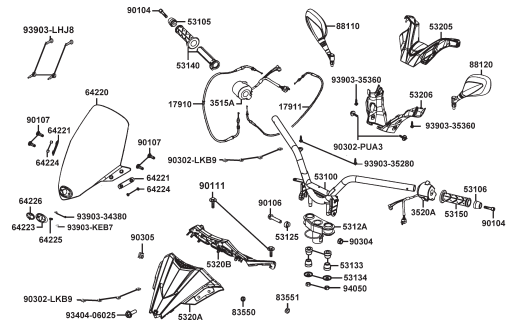
F01 Head Light



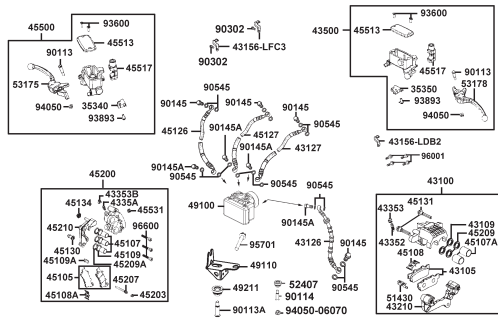
F02 Speedometer



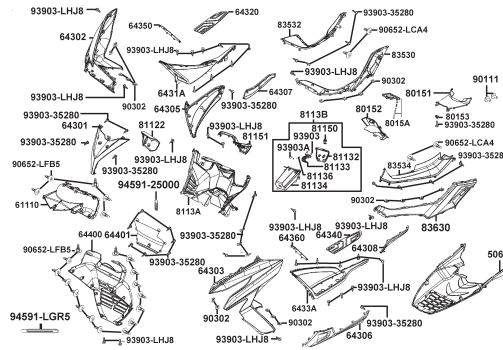
F03 Handle Steering Handle Cover



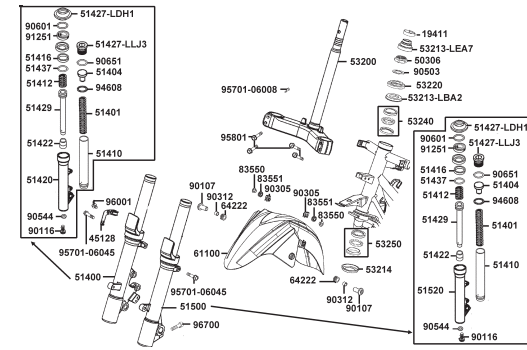
F04 Brake Master Cylinder



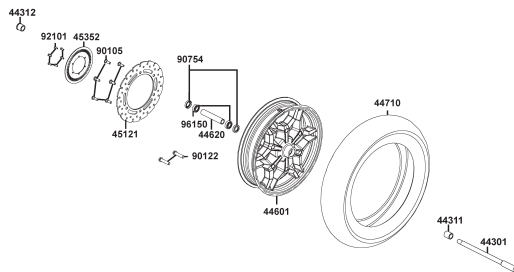
F05 Front Cover Front Fender



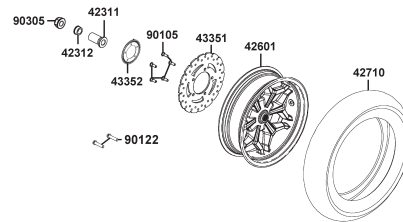
F06 Stem Steering Front Cushion



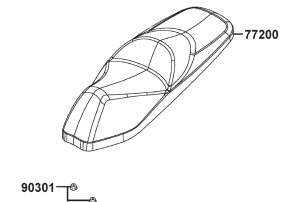
F07 Front Wheel



F08 Rear Wheel

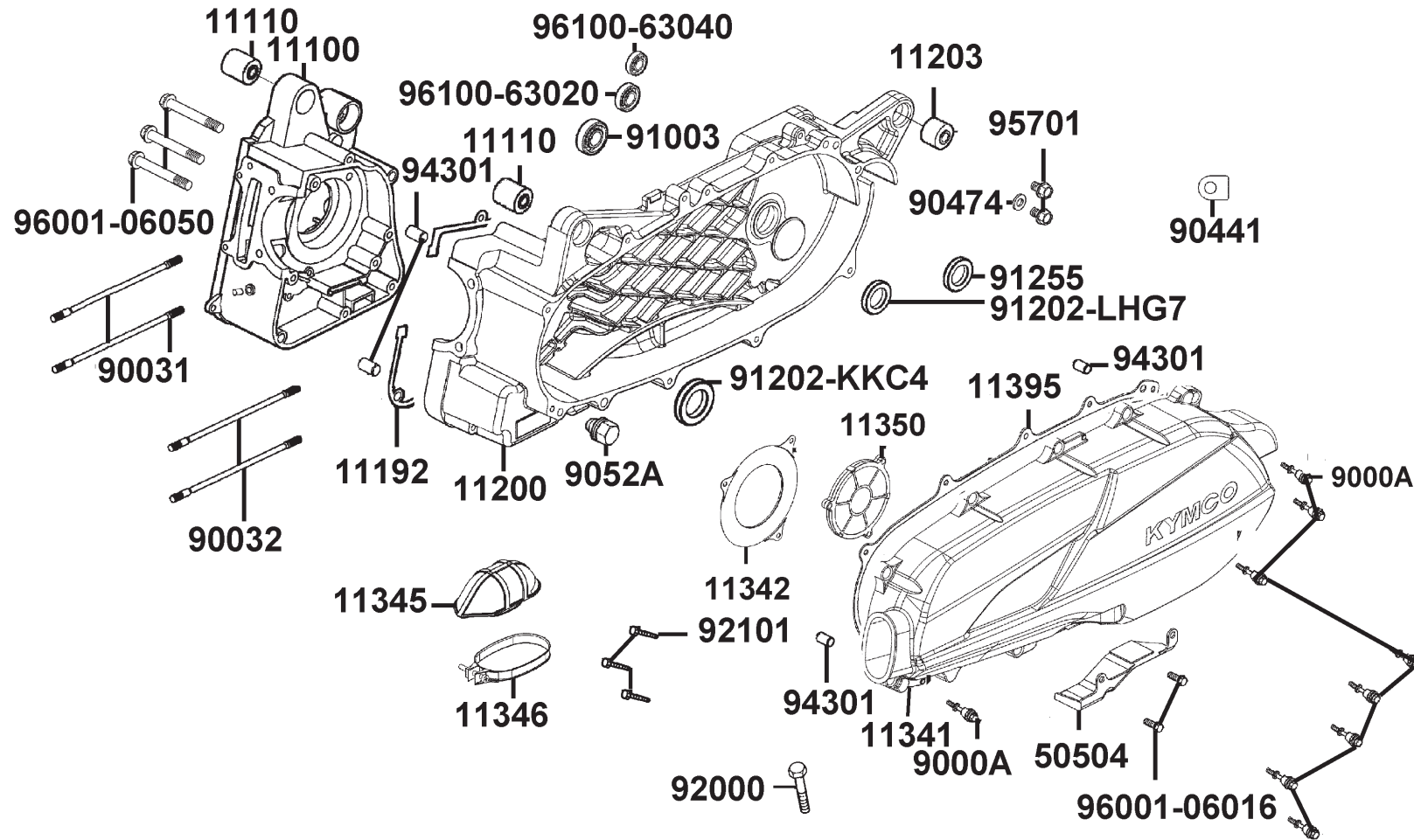


F09 Seat



E01

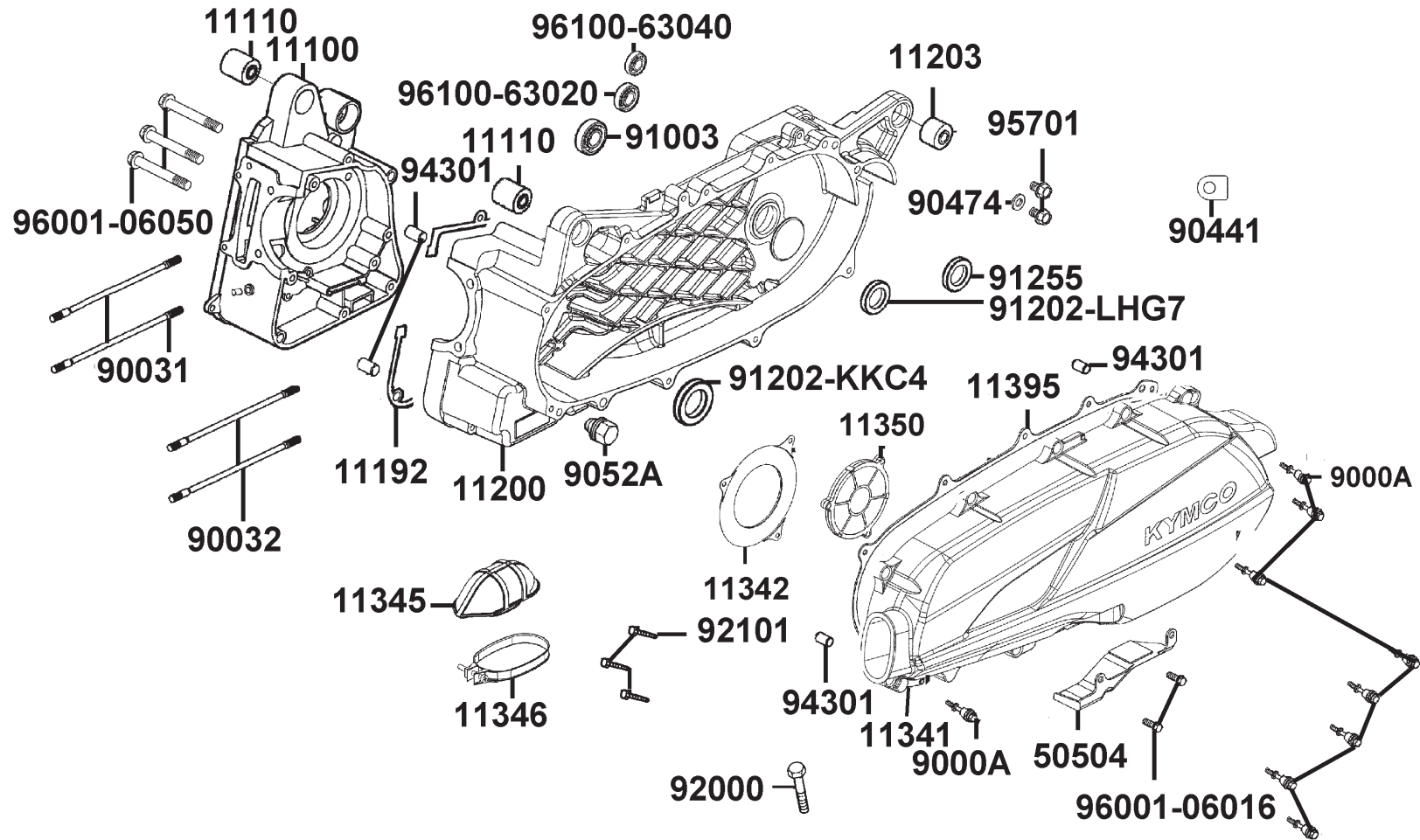
Crank Case



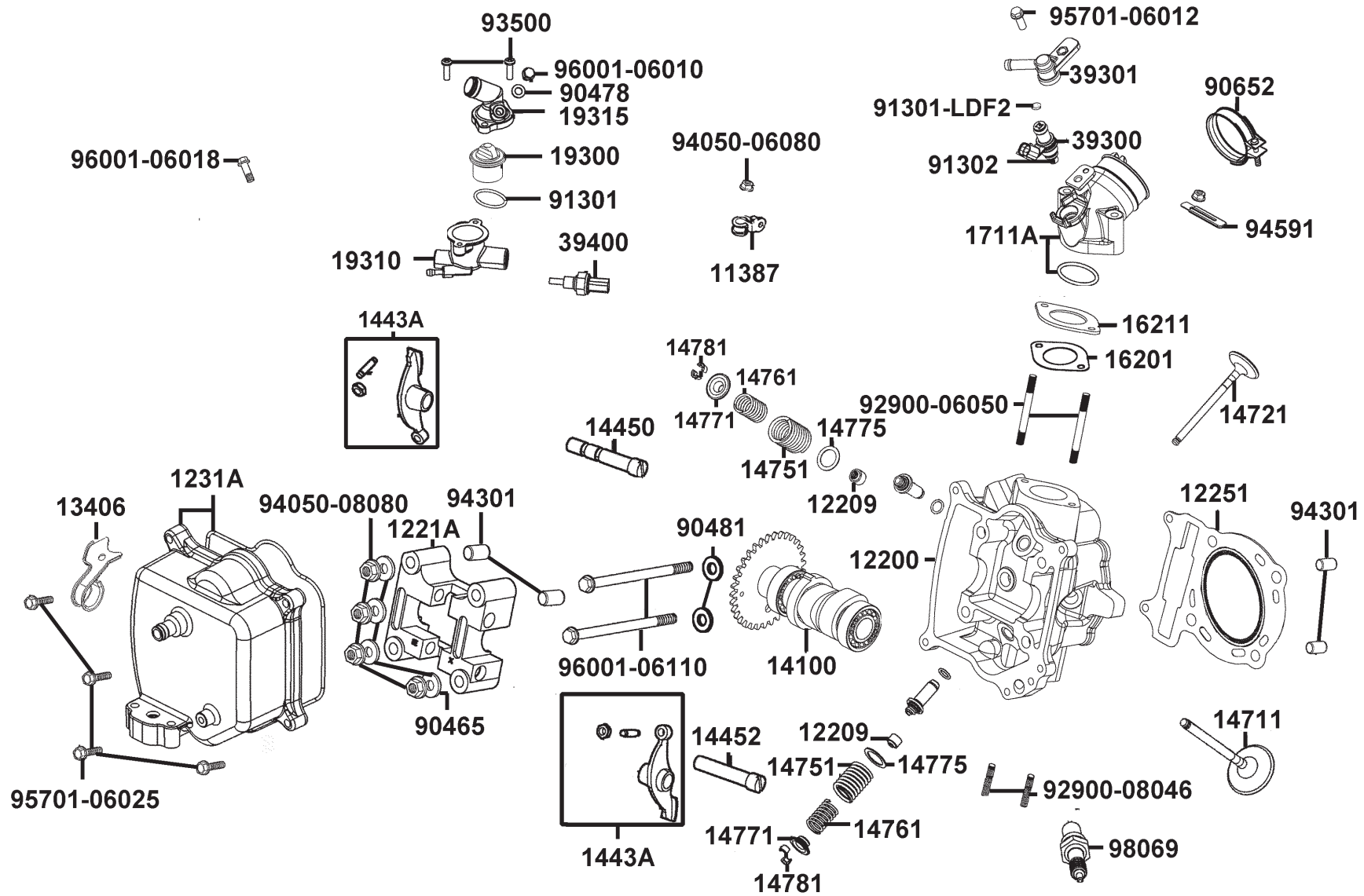
Sales mark	Ref no	Part no	Description	Regd no
	11100	11100-LDB2-C00	CRANK CASE COMP R	1
	11110	11110-LLJ3-C00	BUSH ASSY ENG HANGER	2
	11192	11192-KHE7-980	GASKET CRANK CASE @A	1
	11200	11200-ABD2-C00	CRANK CASE COMPL	1
	11203	11203-LBA2-C00	RUB BUSH L CASE	1
**	11341	11341-ABD2-C00	"COVER. LEFT"	1
	11342	11342-LDF2-C00	PLATE. L. COVER	1
	11345	11345-LEA7-C00	DUCT L COVER	1
	11346	11346-GFY6-C00	BAND L COVER DUCT	1
**	11350	11350-LHG7-C00	ELEMENT COMP. L COVER	1
	11395	11395-LLJ3-C00	GASKET L COVER	1
	50504	50504-ACJ2-C00	STAY MAIN STAND COMP	1
	9000A	9000A-KTDT-C03	BOLT ASSY SPECIAL 6*29.5(G)	9
	90031	90031-KHD6-C01	BOLT A STUD 8*218	1
	90032	90032-KHD6-C01	BOLT B STUD 8*208.5	1
	90441	90441-KDY4-C00	PLATE BRG HOLD	1
	90474	90474-3C33-C00	WASHER 8MM (T*2)	2
	9052A	9052A-LEB1-C01	BOLT ASSY DRAIN PLUG 12*15(C)	1
	91003	91003-KHE7-90A	BRG BALL RADIAL TMB2/22CCS15	1
	91202-KKC4	91202-KKC4-C00	OIL SEAL 27X42X7	1

E01

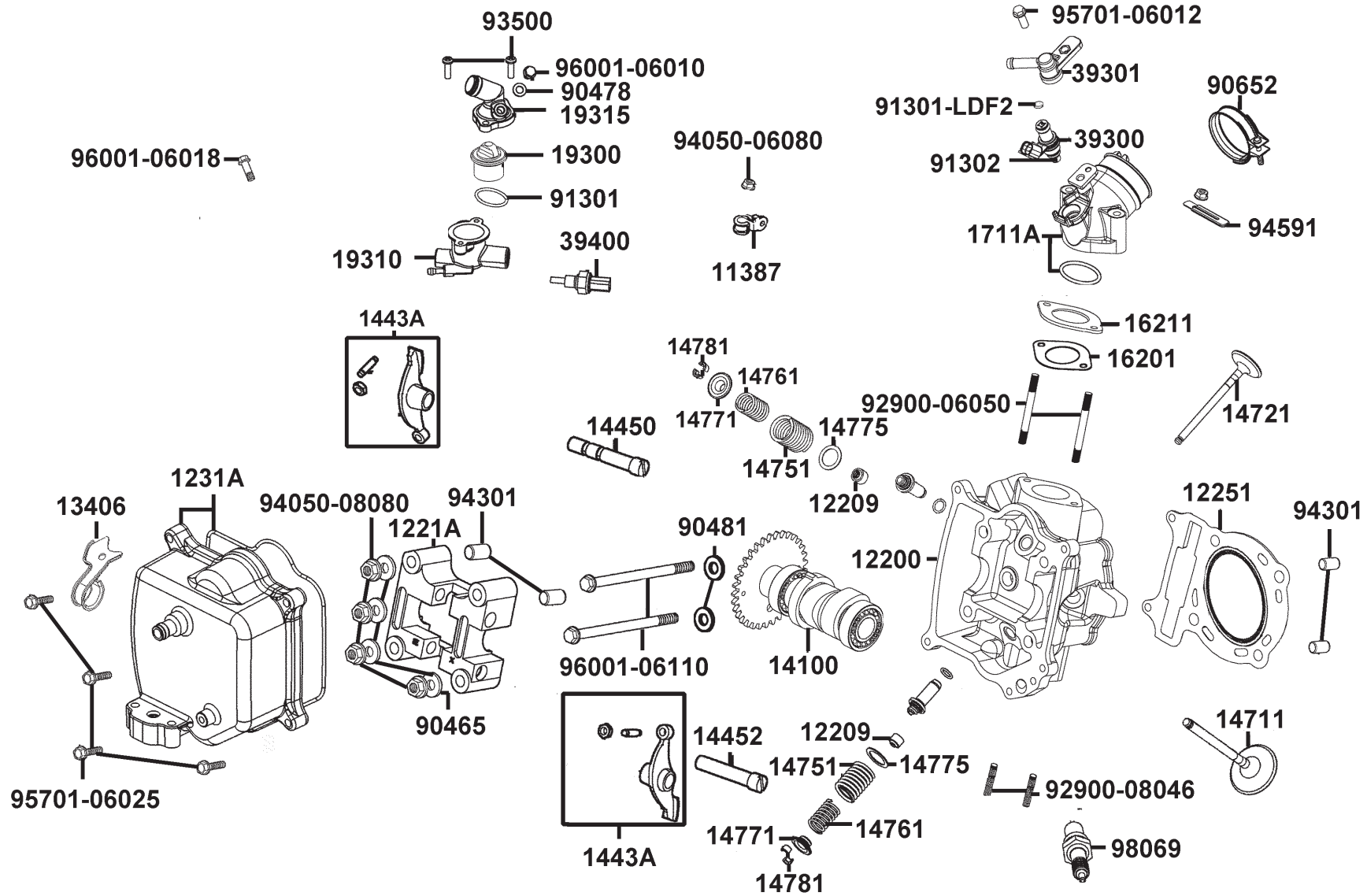
Crank Case



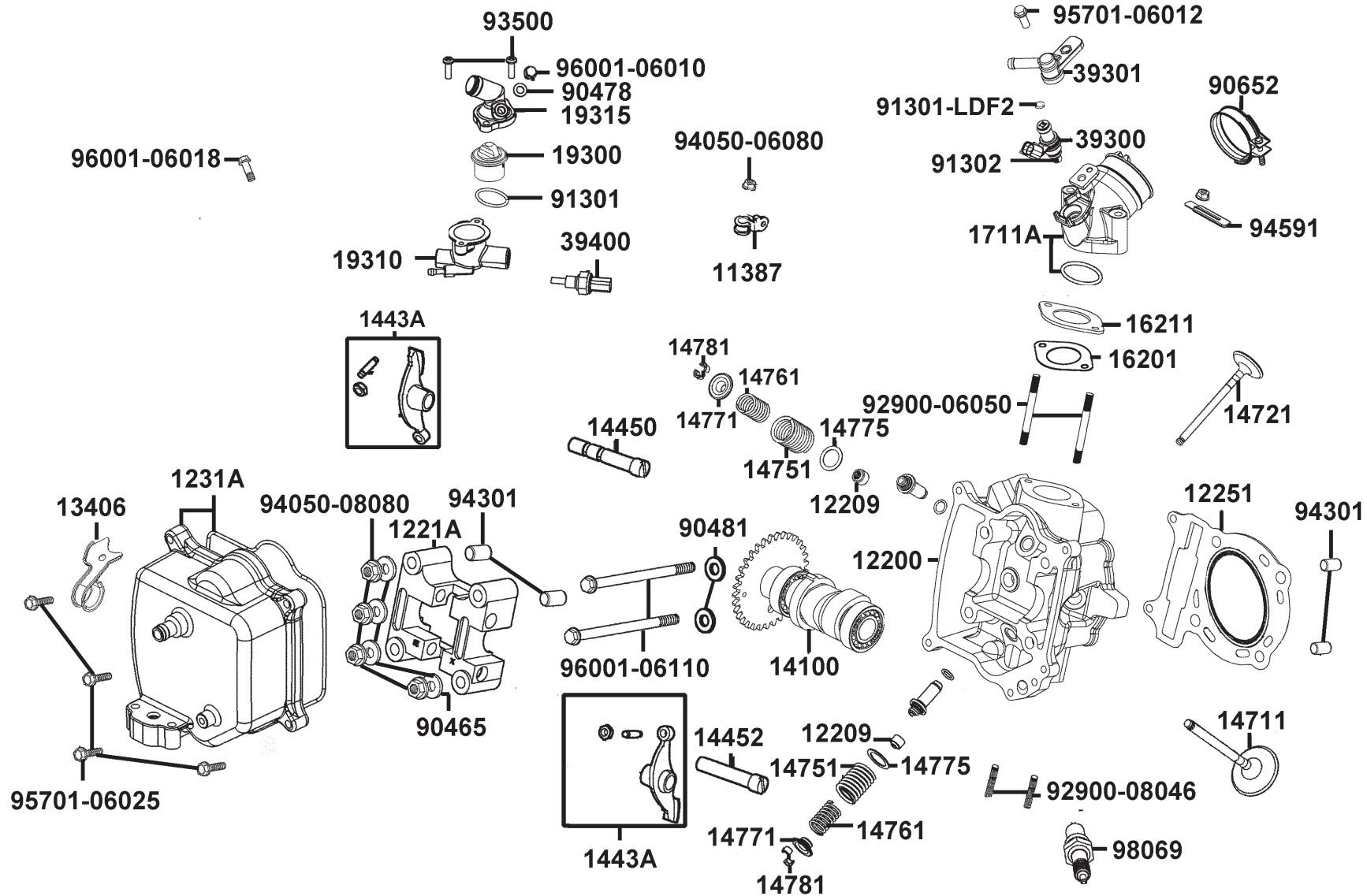
Sales mark	Ref no	Part no	Description	Regd no	E01
	91202-LHG7	91202-LHG7-C00	"OIL SEAL.22X34X6"	1	
	91255	91255-KHE7-90A	OIL SEAL 34*52*7	1	
	92000	92000-06012-0HG	BOLT HEX 6*12 (C)	1	
	92101	92101-05012-0HG	BOLT HEX 5*12	3	
	94301	94301-10160	DOWEL PIN 10*16	4	
	95701	95701-08012-08G	BOLT FLANGE 8X12(C)	2	
	96001-06016	96001-06016-08G	BOLT FLANGE SH 6X16 (C)	2	
	96001-06050	96001-06050-08G	BOLT FLANGE SH 6*50 (C)	3	
	96100-63020	96100-63020-00	BRG BALL RADIAL 6302	1	
	96100-63040	96100-63040-00	BRG BALL RADIAL 6304	1	



Sales mark	Ref no	Part no	Description	Regd no
	11387	11387-ABD2-C00	"CLAMPER. BREATHER TUBE"	1
	12200	12200-ABD2-C00	HEAD COMP CYLINDER	1
	12209	12209-GDB4-C00	SEAL VALVE STEM	2
	1221A	1221A-ABD2-C00	HOLDER COMP CAM SHAFT	1
	12251	12251-KHE7-901	GASKET CYLINDER HEAD	1
	1231A	1231A-LDE9-C00	COVER ASSY CYLINDER HEAD	1
	13406	13406-ABD2-C00	PLATE EX AIR INJECTOR	1
	14100	14100-ABD2-900	SHAFT COMP CAM	1
	1443A	1443A-ABD2-C00	ARM ASSY.. VALVE ROCKER"	2
	14450	14450-KEBE-900	SHAFT COMP IN ROCKER ARM	1
	14452	14452-LDB2-E00	SHAFT EXH ROCKER ARM	1
	14711	14711-LFG2-C00	VALVE INLET	1
	14721	14721-LFG2-C00	VALVE EXHAUST	1
	14751	14751-ABD2-C00	SPG VALVE OUTER	2
	14761	14761-ABD2-C00	SPG VALVE INNER	2
	14771	14771-GDB4-C00	RETAINER VALVE SPRING	2
	14775	14775-MFA6-C00	SEAT VALVE SPG OUTER	2
	14781	14781-MFA6-C00	COTTER VALVE	4
	16201	16201-LHG7-C00	"GASKET.INSULATOR"	1
	16211	16211-LDF2-C00	INSULATOR CARB	1

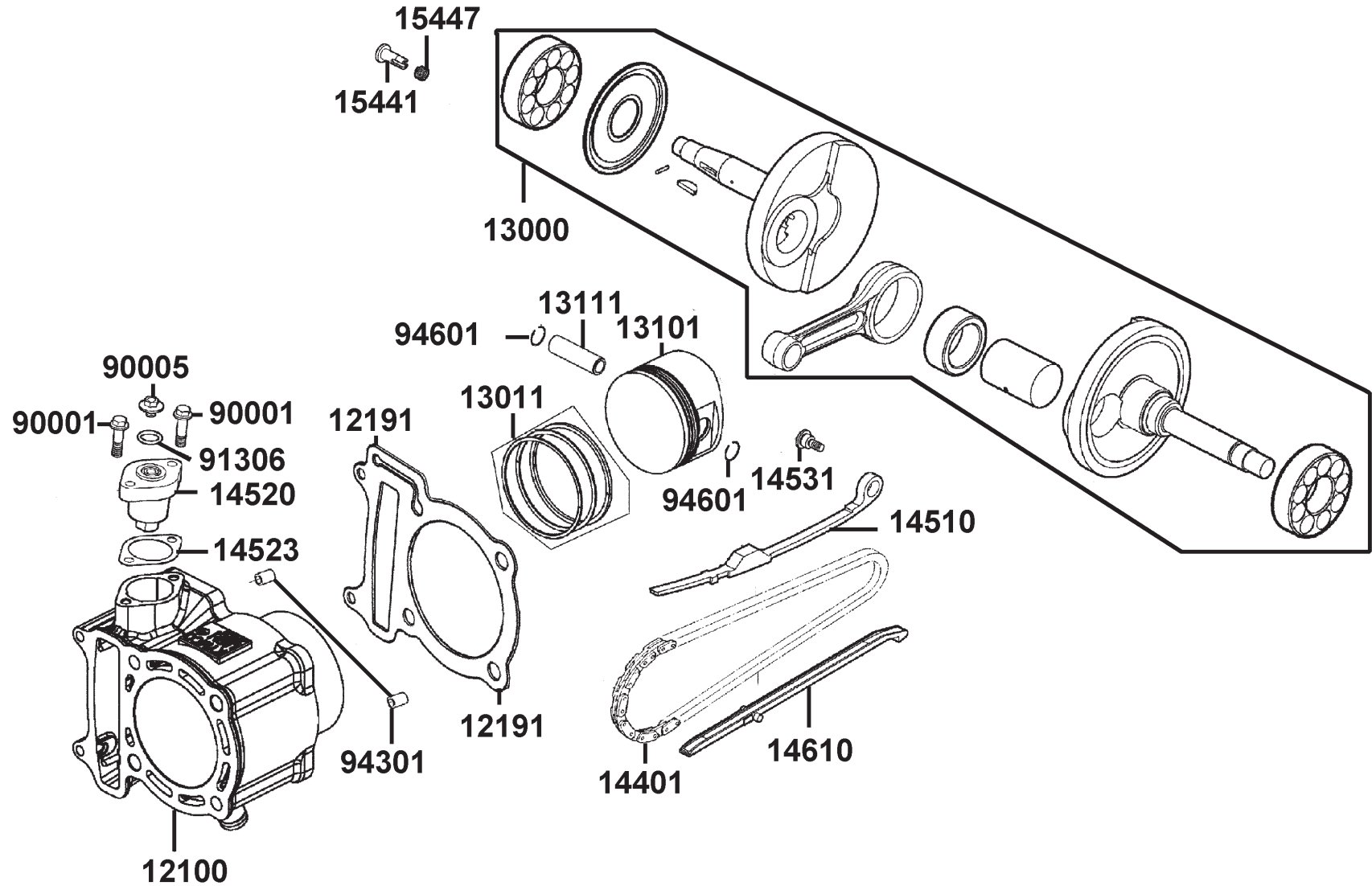


Sales mark	Ref no	Part no	Description	Regd no	E02
	1711A	1711A-LDF2-C00	PIPE ASSY INLET	1	
	19300	19300-KAE1-004	THERMOSTAT ASSY	1	
	19310	19310-ABD2-E00	CASE COMP THERRMO	1	
	19315	19315-LHG7-E00	COVER THERMOSTAT	1	
	39300	39300-LHG7-E00	INJECTOR FUEL	1	
	39301	39301-LDF2-C00	CUP COMP FUEL INJECTOR	1	
	39400	39400-LDF2-800	WATER TEMP SENSOR	1	
	90465	90465-MDC4-C01	WASHER 8MM	1	
	90478	90478-7L00-C00	WASHER A 6MM	1	
	90481	90481-GGS7-C00	WASHER	2	
	90652	90652-GFY6-C00	BAND 49 AIR/C CONNECTING TUBE	1	
	91301	91301-KHE7-900	O-RING 17.8*1.9	1	
	91301-LDF2	91301-LDF2-M90	O-RING 7.3*2.2 (BLACK)	1	
	91302	91302-LDF2-M90	SEAL RING	1	
	92900-06050	92900-06050-08G	SANG TOU LUO MU	2	
	92900-08046	92900-08046-0BG	BOLT, STUD 8*46	2	
	93500	93500-05016-0H	SCREW PAN 5*16	1	
	94050-06080	94050-06080-G	NUT FLANGE 6MM	2	
	94050-08080	94050-08080-G	NUT FLANGE 8MM	4	
	94301	94301-10160	DOWEL PIN 10*16	4	



Sales mark	Ref no	Part no	Description	Regd no
	94591	94591-KFBF-C00	CLIP 2*71	1
	95701-06012	95701-06012-08G	BOLT FLANGE 6*12	1
	95701-06025	95701-06025-07G	BOLT FLANGE 6*25 (C)	4
	96001-06010	96001-06010-00	BOLT FLANGE SH 6X10	1
	96001-06018	96001-06018-08G	BOLT FLANGE SH 6*18 (C)	1
	96001-06110	96001-06110-08G	BOLT FLANGE SH 6*110 (B)	2
	98069	98069-5691R-00	SPARK PLUG (DPR6EA-9)	1

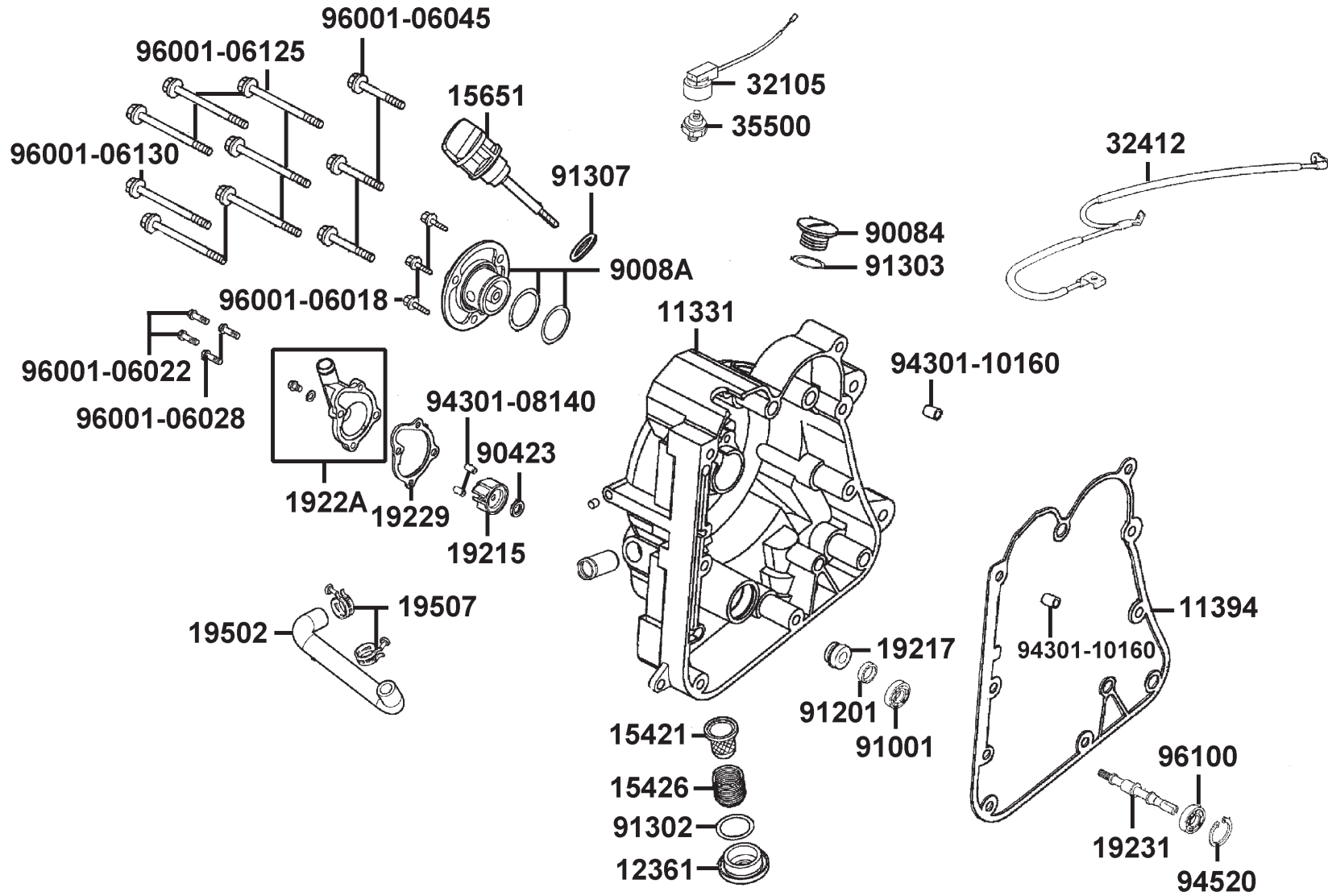
E02



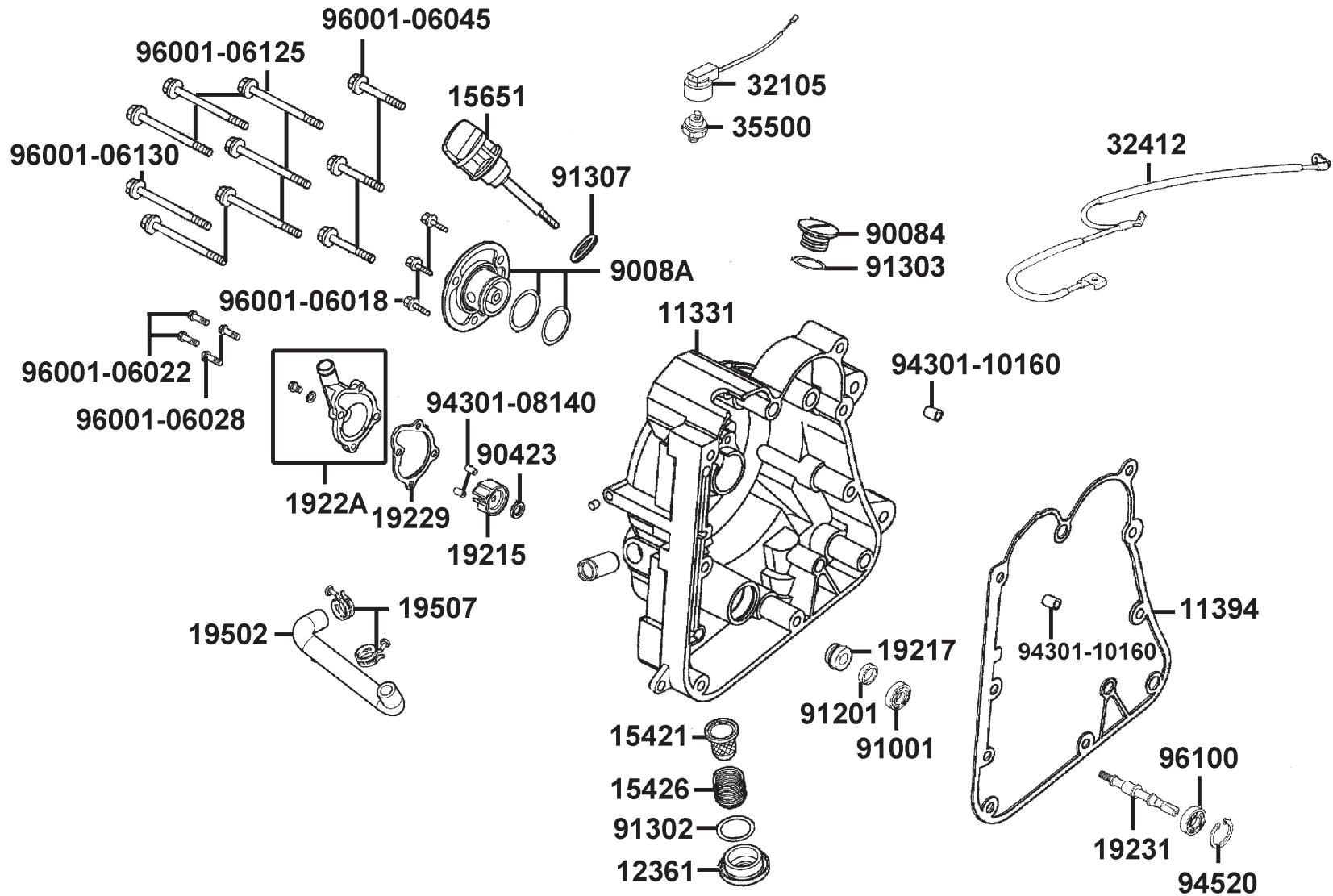
Sales mark	Ref no	Part no	Description	Regd no	E03
	12100	12100-KHE7-C00	CYLINDER COMP	1	
	12191	12191-KHE7-910	GASKET CYLINDER	1	
	13000	13000-KHE7-C00	CRANK SHAFT COMP	1	
	13011	13011-LFG2-C00	"RING SET.PISTON"	1	
	13101	13101-LHG7-C00	PISTON	1	
	13111	13111-LDB2-C00	PIN PISTON	1	
	14401	14401-KHE7-90A	CHAIN CAM (92RH2005-98)	1	
	14510	14510-KHE7-900	TENSIONER CAM CHAIN	1	
	14520	14520-GFY6-90C	LIFTER ASSY.. TENSIONER	1	
	14523	14523-KED9-C00	GASKET TENSIONER LIFTER @A	1	
	14531	14531-KHE7-900	PIVOT CAM CHAIN TENSIONER	1	
	14610	14610-KHE7-900	GUIDE COMP CAM CHAIN	1	
	15441	15441-1K49-001	OIL THROUGH	1	
	15447	15447-1K49-C00	SPG OIL THROUGH	1	
	90001	90001-GBHB-C05	BOLT FLANGE SHF 6*22 (B)	2	
	90005	90005-KAW1-C00	SCREW PAN 6*6(G)	1	
	91306	91306-1E05-C00	O-RING 1.5*9.5	1	
	94301	94301-10160	DOWEL PIN 10*16	2	
	94601	94601-17000	CLIP PISTON PIN 17MM	2	

E04

Right Crankcase Cover

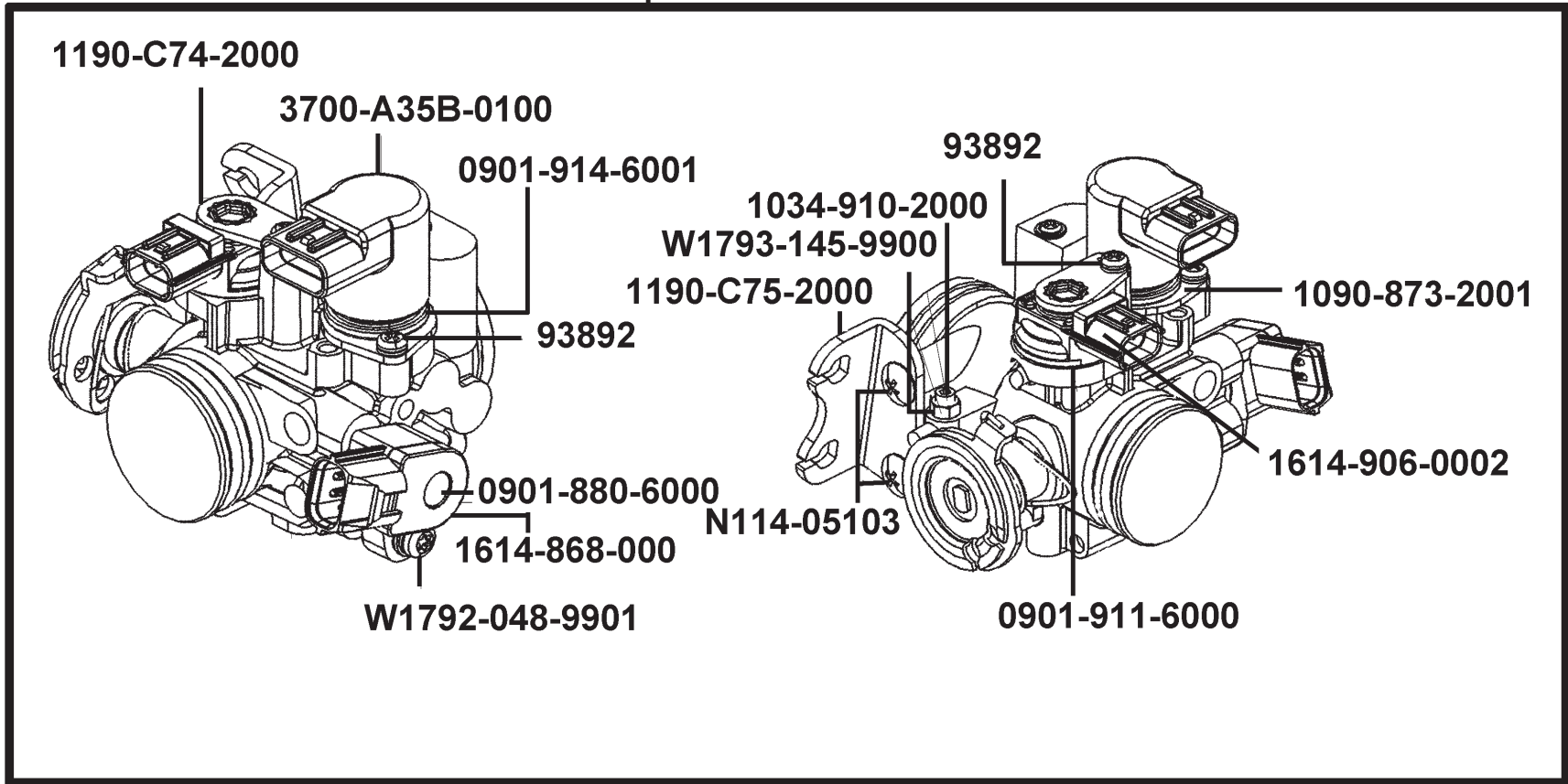


Sales mark	Ref no	Part no	Description	Regd no
**	11331	11331-LLJ3-C00	COVER R CRANK CASE	1
	11394	11394-KHE7-980	GASKET R COVER @A	1
	12361	12361-LHD1-C00	"HOLE CAP. TAPPET ADJUSTING"	1
	15421	15421-1G07-C00	SCREEN OIL FILTER	1
	15426	15426-GAE1-C00	SPG OIL FILTER SCREEN	1
	15651	15651-KEBE-C00	GAUGE OIL LEVEL	1
	19215	19215-KHE7-C00	IMPELLER WATER PUMP	1
	19217	19217-ZPA3-E00	SEAL MECHANICAL	1
	19229	19229-LBA7-C00	GASKET WATER OUMP	1
**	1922A	1922A-KHE7-C00	COVER ASSY WATER PUMP	1
	19231	19231-KKJ9-C00	SHAFT WATER PUMP	1
	19502	19502-KHE7-C00	HOSE B WATER	1
	19507	19507-ABD6-C00	"CLAMP. D28"	2
	32105	32105-LLJ3-C00	SUB HARNESS	1
	32412	32412-ABD2-C00	CABLE EARTH	1
	35500	35500-KED9-900	SW ASSY OIL PRESSURE	1
**	90084	90084-4H28-C00	CAP ACG	1
**	9008A	9008A-KHE7-C00	CAP ASSY R COVER	1
	90423	90423-KKJ9-C00	WASHER 7.2*13*1.2	1
	91001	91001-KKJ9-C00	BRG BALL RADIAL 6901	1

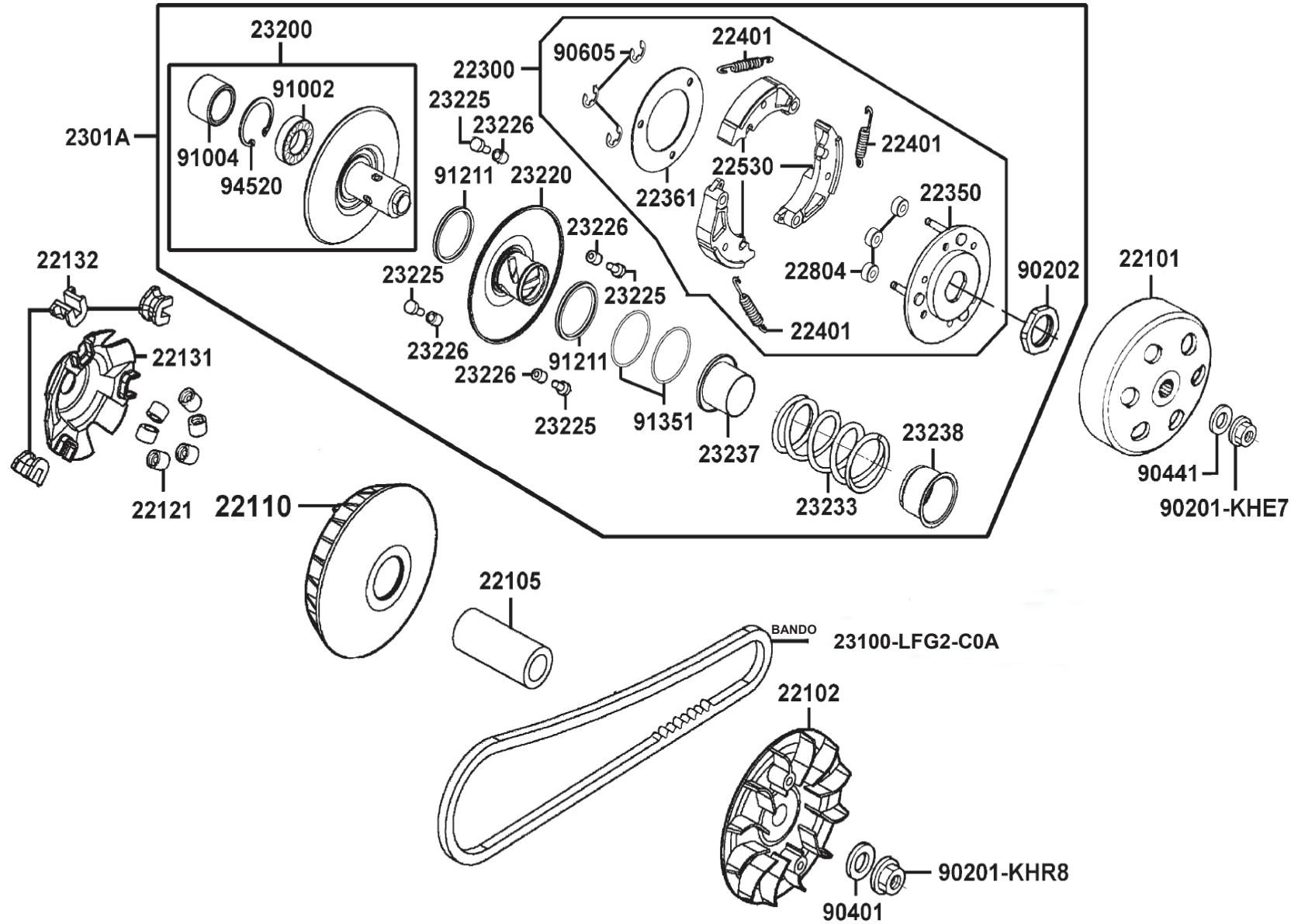


Sales mark	Ref no	Part no	Description	Regd no	E04
	91201	91201-ABD6-C00	OIL SEAL 12*20*4	1	
	91302	91302-0A01-C00	O-RING 30.8MM	1	
	91303	91303-3G77-C00	O-RING 13.8*2.5	1	
	91307	91307-0E35-W10	O-RING 18*3	1	
	94301-08140	94301-08140	DOWEL PIN 8*14	2	
	94301-10160	94301-10160	DOWEL PIN 10*16	2	
	94520	94520-26000	CIR CLIP INTERAL 26MM	1	
	96001-06018	96001-06018-02	BOLT FLANGE SH 6*18	3	
	96001-06022	96001-06022-07G	BOLT FLANGE SH 6*22 (KC)	1	
	96001-06028	96001-06028-07G	BOLT FLANGE SH 6*28 (G)	1	
	96001-06045	96001-06045-07G	BOLT FLANGE SH 6*45 (G)	3	
	96001-06125	96001-06125-07G	BOLT FLANGE SH 6*125 (C)	1	
	96001-06130	96001-06130-07G	BOLT FLANGE SH 6*130 (C)	1	
	96100	96100-60000-00	BEARING BALL RADIAL 6000	1	

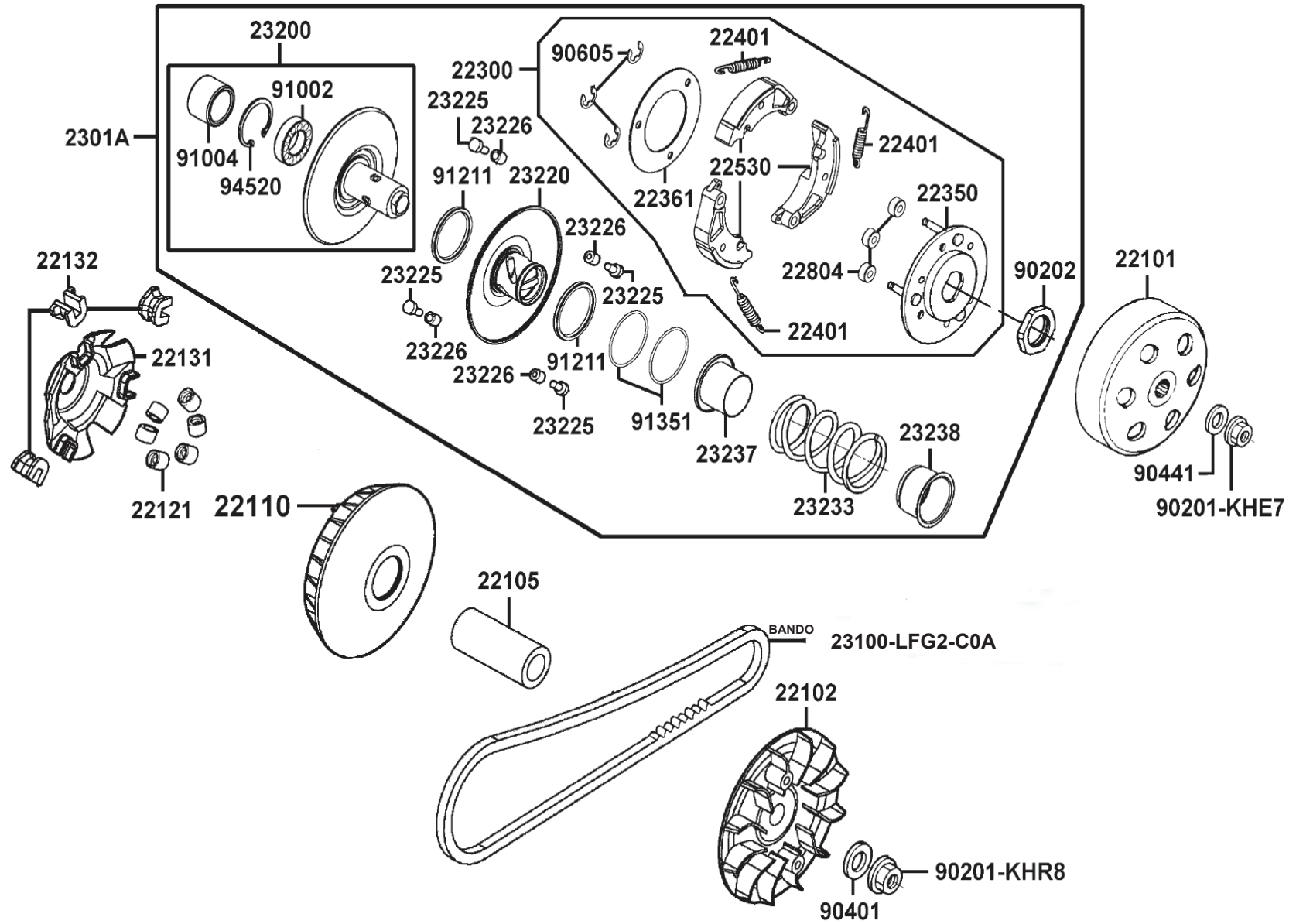
1610K



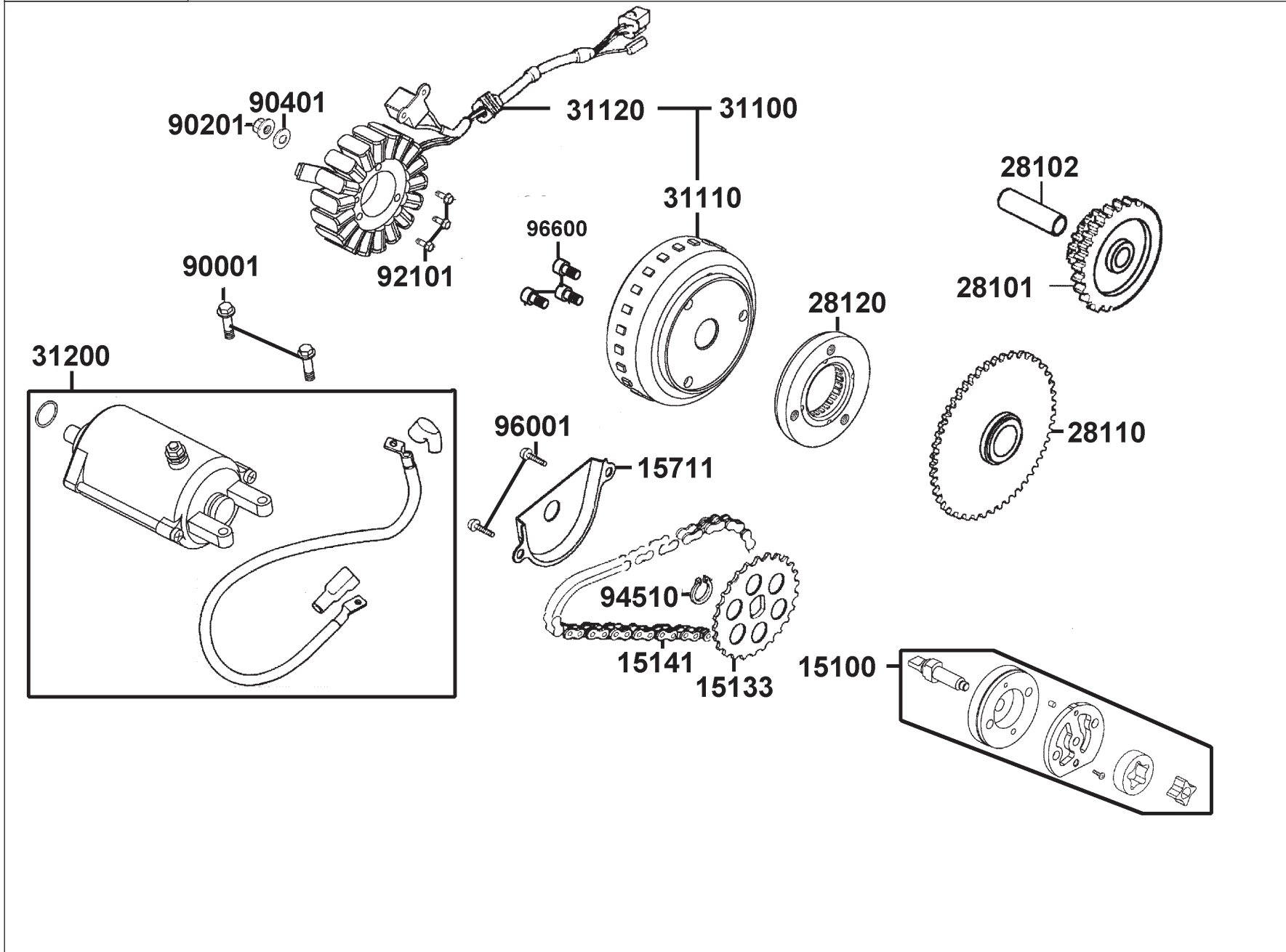
Sales mark	Ref no	Part no	Description	Reg description	Regd no
	0901-880-6000	0901-880-6000	O-RING/TPS	O-RING/TPS	1
	0901-911-6000	0901-911-6000	O-RING	O-RING	1
	0901-914-6001	0901-914-6001	O-RING	O-RING	1
	1090-873-2001	1090-873-2001	SET PLATE	SET PLATE	1
	1190-C74-2000	1190-C74-2000	STAY PLATE	STAY PLATE	1
	1190-C75-2000	1190-C75-2000	BRACKET / THROTTLE CABLE	BRACKET / THROTTLE CABLE	1
	1610K	1610K-LHG7-900	THROTTLE BODY ASS'Y	THROTTLE BODY ASS'Y	1
	1614-868-0000	1614-868-0000-S	THROTTLE POSITION SENSER	THROTTLE POSITION SENSER	1
	1614-906-0002	1614-906-0002	MAP SENSOR	MAP SENSOR	1
#	3700-A35B-0100	3700-A35B-0110	ISC VALVE	ISC VALVE	1
	93892	93892-04008-16	SCREW WASHER 4X8	SCREW WASHER 4X8	1
	K536-174-0200	K536-174-0200	SCREW SET	SCREW SET	1
	N114-05103	N114-05103-3	SCREW WASHER	SCREW WASHER	1
	W1792-048-9901	W1792-048-9901	SCREW TORX M5*0.8/TPS	SCREW TORX M5*0.8/TPS	1



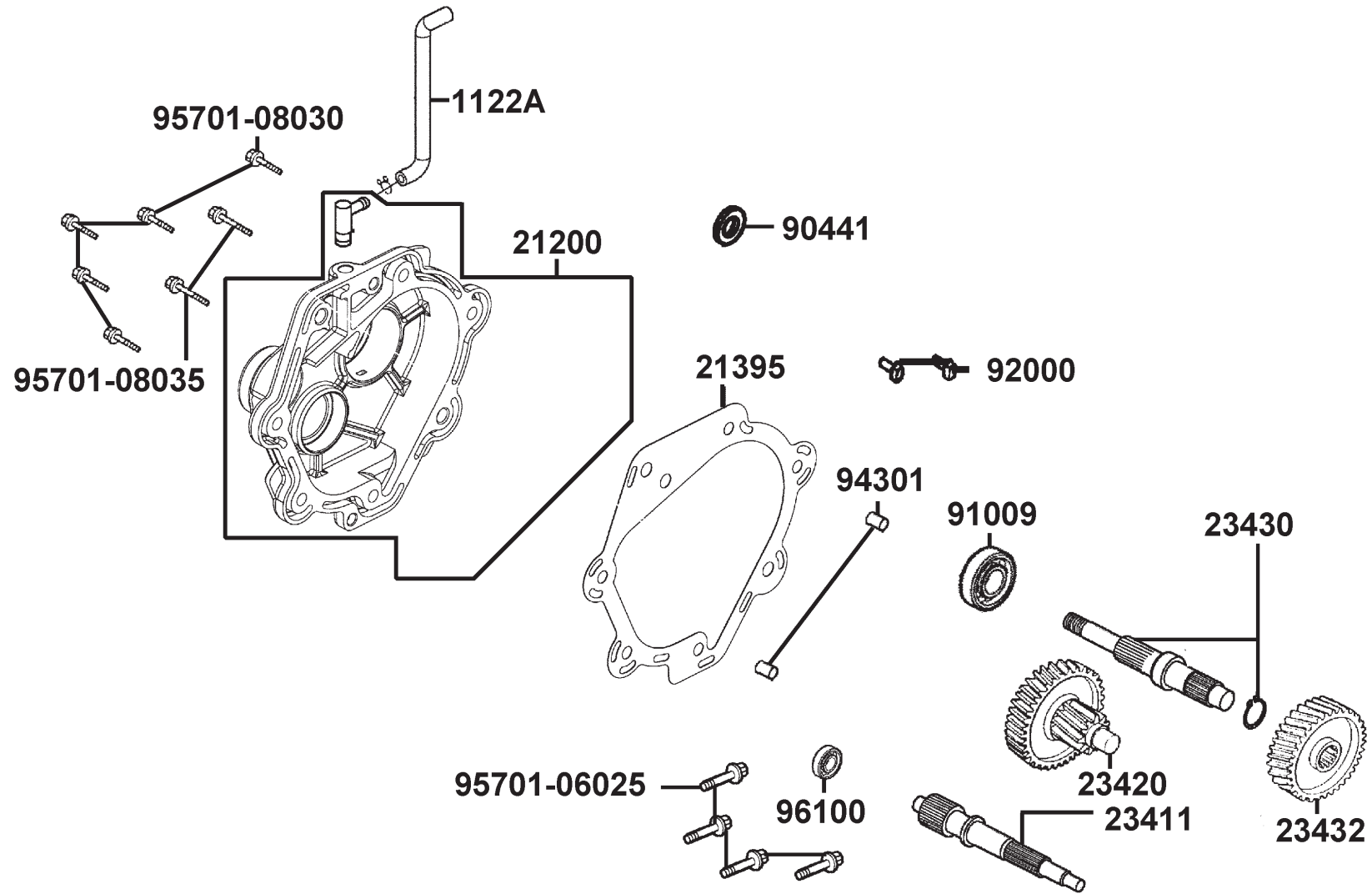
Sales mark	Ref no	Part no	Description	Regd no
	22101	22101-LBA7-C00	OUTER CLUTCH	1
	22102	22102-KHE7-C00	FACE DRIVE	1
	22105	22105-LBA7-C00	BOSS DRIVE FACE	1
	22110	22110-LFG1-C00	FACE COMP MOVABLE DRIVE	1
	22121	22121-LFG2-315	ROLLER SET WEIGHT (1SET:6PCS)	1
	22131	22131-LBA7-C00	PLATE RAMP	1
	22132	22132-KHE7-305	PIECE SLIDE SET (1SET:3PCS)	1
	22300	22300-LFG2-C00	PLATE ASSY DRIVE	1
	22350	22350-KHE7-C00	PLATE COMP DRIVE	3
	22361	22361-LEA7-C00	PLAT CLUCTH SIDE	1
	22401	22401-LFG2-C00	SPRING CLUTCH	3
	22530	22530-KHE7-C00	WEIGHT CLUTCH	3
	22804	22804-GBB2-C00	RUBBER CLUTCH DAMPER	3
	2301A	2301A-LFG2-C00	PULLEY SUB ASSY	1
	23100-LFG2-C0A	23100-LFG2-C0A	BELT DRIVE	1
	23200	23200-KHE7-C00	FACE ASSY DRIVEN	1
	23220	23220-LFG2-C00	FACE RR MOVABLE DRIVEN	1
	23225	23225-KHE7-C00	PIN ROLLER GUIDE	1
	23226	23226-GHC8-C00	ROLLER GUIDE	1



Sales mark	Ref no	Part no	Description	Regd no
	23233	23233-KHE7-C00	SPG DRIVEN FACE	1
	23237	23237-KHE7-C00	COLLAR SEAL	1
	23238	23238-KHE7-C00	COLLAR SPG	1
	90201-KHE7	90201-KHE7-C01	NUT C FLANGE M12 (C)	1
	90201-KHR8	90201-KHR8-C01	NUT FLANGE 14MM(C)	1
	90202	90202-1G87-C00	NUT SPECIAL 28MM	1
	90401	90401-KKJ9-001	WASHER THRUST 14*28*2	1
	90441	90441-GFY6-C01	WASHER 12.2*29*2.5	1
	90605	90605-1F66-C00	CIR CLIP 7MM	3
	91002	91002-GGA7-C00	BRG BALL RADIAL 6902U	1
	91004	91004-KHE7-C00	BRG NDL 22*29*18	1
	91211	91211-KHE7-C00	SEAL DRIVEN FACE 40*47*4	1
	91351	91351-KHE7-C00	O-RING PINION CAP	1
	94520	94520-28000	CIR CLIP IN 28	1



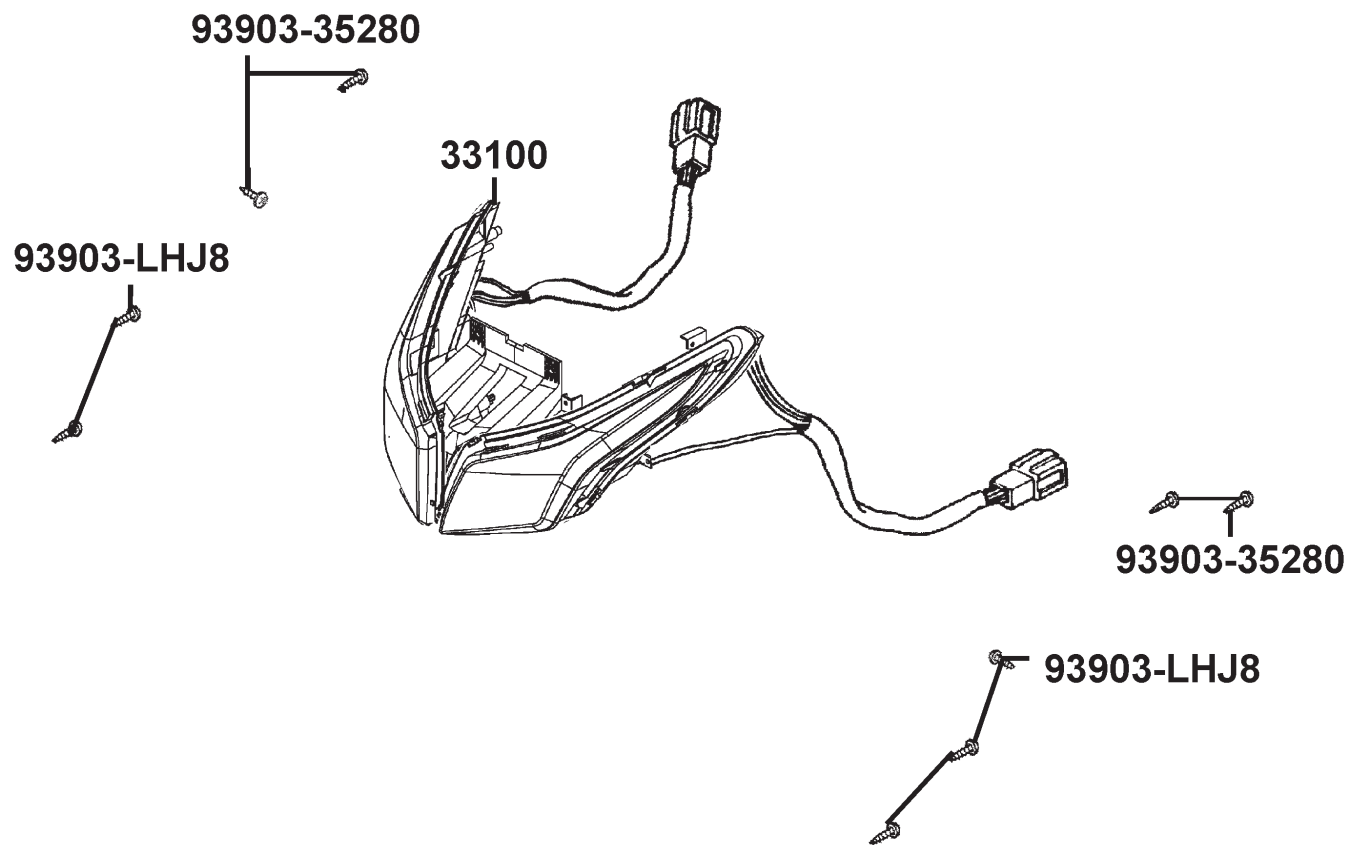
Sales mark	Ref no	Part no	Description	Regd no
	15100	15100-KKC3-C00	PUMP ASSY OIL	1
	15133	15133-KAM1-C00	SPROCKET OIL PUMP DRIVE	1
	15141	15141-KKJ9-C00	CHAIN OIL PUMP	1
	15711	15711-KHE7-C00	SEPARATER OIL	1
	28101	28101-KHE7-C00	GEAR STARTER REDUCTION	1
	28102	28102-KHE7-C00	SHAFT STARTER REDUCTION	1
	28110	28110-LDB2-C00	GEAR COMP STARTING CLUTCH	1
	28120	28120-LDB2-C00	ONE WAY CLUTCH	1
	31100	31100-ABD2-C00	AC GEN ASS'Y	1
	31110	31110-ABD2-C00	FLYWHEEL COMP.	1
	31120	31120-ABD2-C00	STATOR COMP.	1
	31200	31200-ABD2-C00	"MOTOR ASSY.STARTER"	1
	90001	90001-GBHB-C05	BOLT FLANGE SHF 6*22 (B)	2
	90201	90201-KHR8-C01	NUT FLANGE 14MM(C)	1
	90401	90401-KKJ9-001	WASHER THRUST 14*28*2	1
	92101	92101-05032-0HG	BOLT HEX 5*32 (C)	3
	94510	94510-10000	CIR CLIP EX 10MM	1
	96001	96001-06012-08G	BOLT FLANGE SH 6x12 (C)	2
	96600	96600-08018-08G	SOCKET BOLT 8*18 (B)	3



Sales mark	Ref no	Part no	Description	Regd no	E08
	1122A	1122A-ABD2-C00	"TUBE ASSY. MISSION BREATHER"	1	
	21200	21200-LDB2-C00	CASE COMP MISSION	1	
	21395	21395-LDF2-900	GASKET MISSION COVER @A	1	
	23411	23411-ABD2-C00	SHAFT DRIVE	1	
	23420	23420-ABD2-C00	SHAFT COMP COUNTER	1	
	23430	23430-LDB2-C00	SHAFT COMP FINAL	1	
	23432	23432-ABD2-C00	GEAR FINAL	1	
	90441	90441-KKC4-C00	WASHER PLAIN 15.5*23*0.5	1	
	91009	91009-KHE7-C00	BRG BALL RADIAL 6205LLU	1	
	92000	92000-05016-07G	BOLT HEX 5*16 (G)	2	
	94301	94301-10160	DOWEL PIN 10*16	2	
	95701-06025	95701-06025-07G	BOLT FLANGE 6*25 (C)	4	
	95701-08030	95701-08030-07G	BOLT FLANGE 8*30 (G)	5	
	95701-08035	95701-08035-07G	BOLT FLANGE 8*35	2	
	96100	96100-63020-00	BRG BALL RADIAL 6302	2	

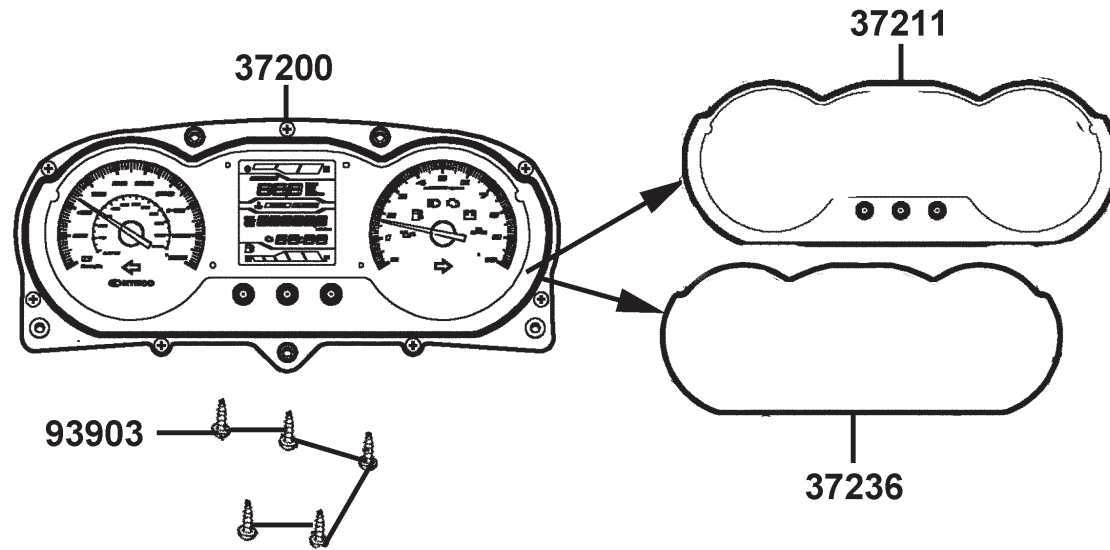
F01

Head Light



Sales mark	Ref no	Part no	Description	Regd no
	33100	33100-ABD2-EZ5	LIGHT ASSY HEAD	1
	93903-35280	93903-35280-G	SCREW TAPPING 5*12 (K)	2
	93903-LHJ8	93903-LHJ8-C01	SCREW,TAPPING 5X14	4

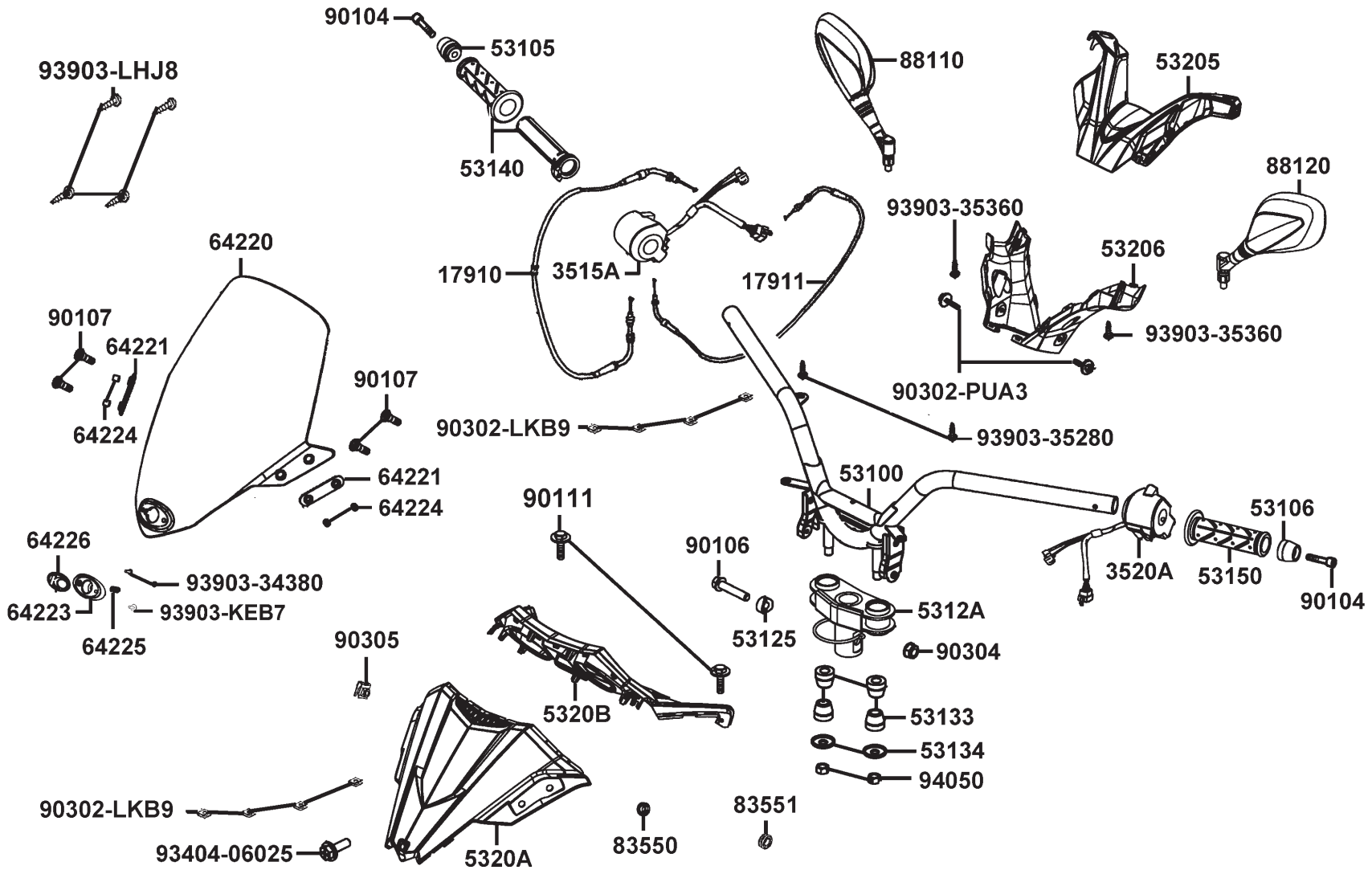
F01



Sales mark	Ref no	Part no	Description	Regd no	F02
	37200	37200-ACJ2-BJ2	METER ASSY SPEED	1	
	37211	37211-ABD2-C00	LENS ASSY	1	
	37236	37236-ABD2-E00	METER GASKET	1	
	93903	93903-25480	SCREW TAPPING 5*20 (K)	1	

F03

Handle Steering Handle Cover

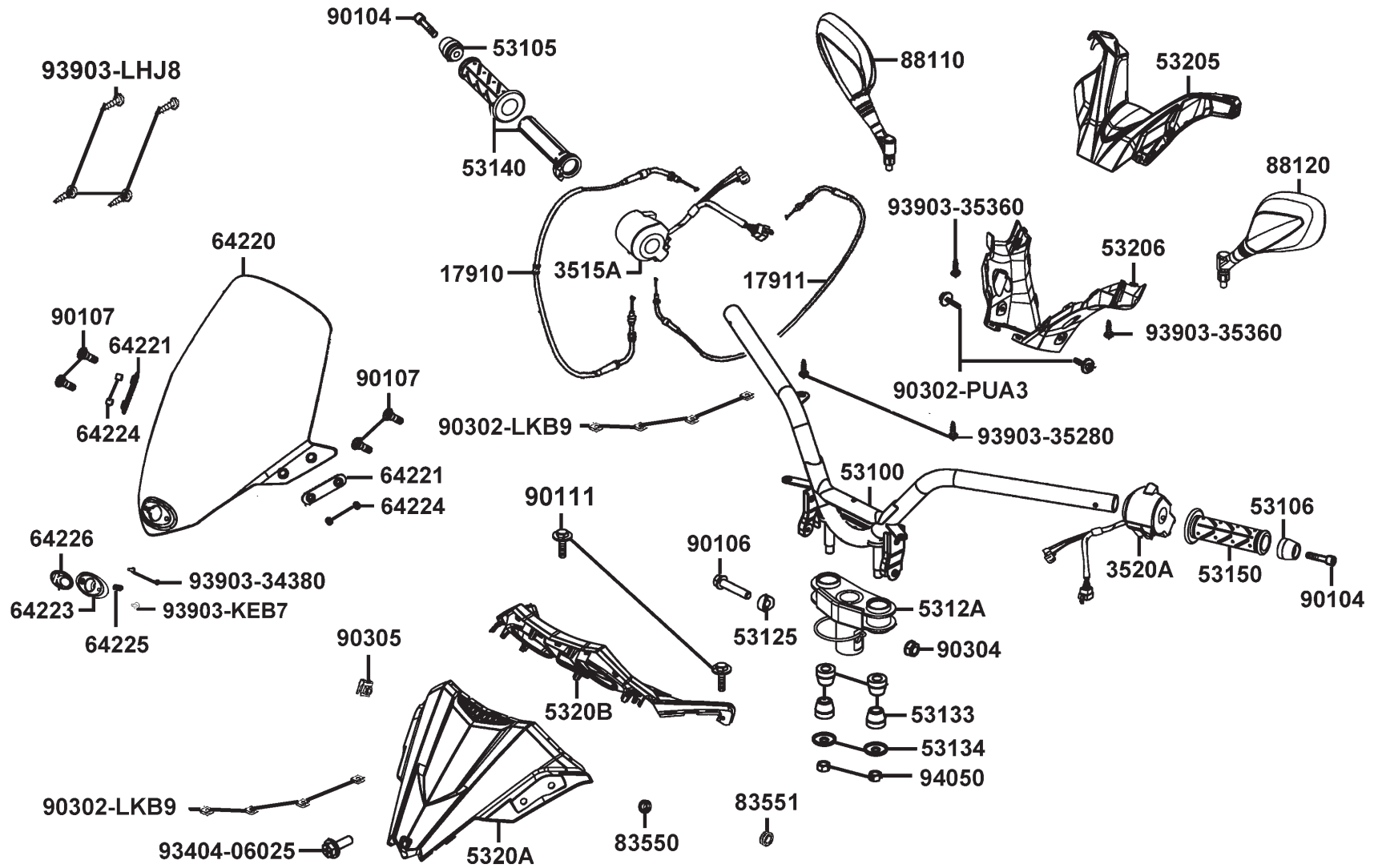


F03

Sales mark	Ref no	Part no	Description	Regd no
	17910	17910-LEA7-C00	"CABLE A COMP..THROT"	1
	17911	17911-LEA7-C00	"CABLE B COMP. .THROT"	1
	3515A	3515A-ACJ1-E00	SW ASSY RH HNDL COMP	1
	3520A	3520A-ABD2-C00	SW ASSY LH HANDLE COMP	1
	53100	53100-ABD2-E00	HANDLE PIPE COMP.	1
	53105	53105-LEA7-C00	END R.HANDLE	1
	53106	53106-LEA7-C00	"END L.HANDLE"	1
	53125	53125-LEA7-C00	BOLT FLANGE	1
	5312A	5312A-ABD2-E00	HOLDER COMP HANDLE	1
	53133	53133-3H98-C00	RUBBER HANDLE CUSHION	4
	53134	53134-2C83-C01	HANDLE CUSHION WASHER	2
**	53205	53205-ABD2-C00	"COVER. HANDLE UP"	1
**	53206	53206-ABD2-C00	COVER HANDLE RR	1
**	5320A	5320A-ABD2-C00	"ASSY..FR.METER COVER"	1
**	5320B	5320B-ABD2-C01	"ASSY..METER COVER"	1
	64220	64220-ABD2-C00	WIND SCREEN	1
	64221	64221-LEA7-C00	RUBBER WIND SCREEN	2
**	64223	64223-LEA7-C00	"PLUG. WIND SCREEN"	1
	64224	64224-LEA7-C00	COLLAR WIND SCREEN	4
	64225	64225-LEA7-E00	SPRING COSMETIC K-LOGO	1

F03

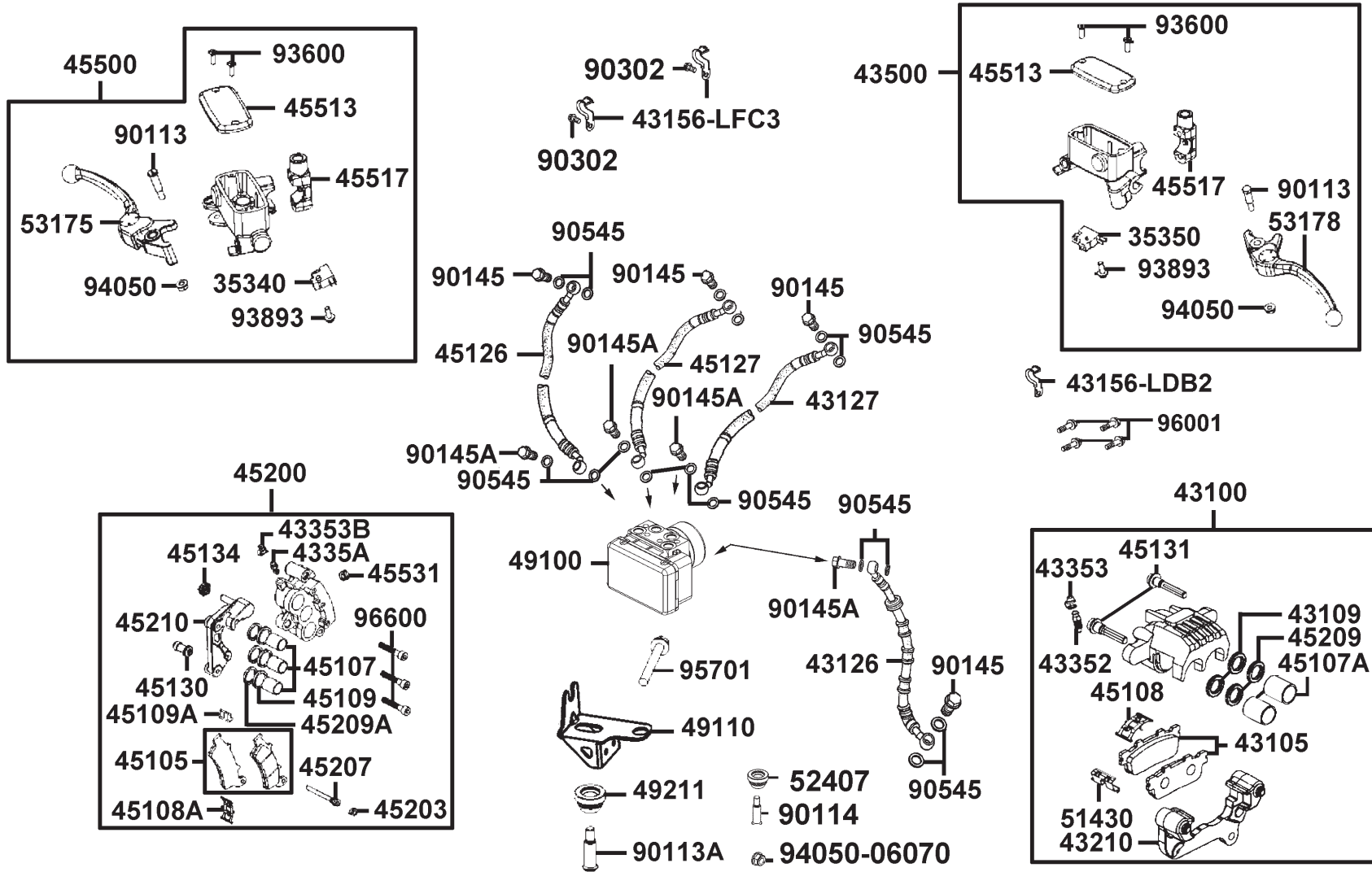
Handle Steering Handle Cover



Sales mark	Ref no	Part no	Description	Regd no
	64226	64226-ACJ2-BJ0	COSMETIC M-LOGO	1
	83550	83550-ABD2-C00	COLLAR	1
	83551	83551-KEC8-C10	GROMMET COVER	1
	88110	88110-ACJ2-BJ0	MIRROR ASSY R BACK	1
	88120	88120-ACJ2-BJ0	MIRROR ASSY L BACK	1
	90104	90104-LEA7-C01	"BOLT WASH.,M8*60"	2
	90106	90106-PUA3-B50	BOLT FLANGE 10*50	1
	90107	90107-LEA7-C01	BOLT SPECIAL 8*26	4
	90111	90111-06016-07G	BOLT FLANGE 6*16 (K)	2
	90302-LKB9	90302-LKB9-C00	NUT SPRING 5MM	8
	90302-PUA3	90302-PUA3-B51	BOLT-WASH 5*12	2
	90304	90304-PUA3-B50	NUT U 10MM (C)	1
	90305	90305-LBA2-C00	"NUT.CLIP 6MM"	1
	93404-06025	93404-06025-07G	BOLT WASHER 6*25 (G)	1
	93903-34380	93903-34380-G	SCREW TAPPING 4x12	2
	93903-35280	93903-35280-G	SCREW TAPPING 5*12 (K)	2
	93903-35360	93903-35380-G	SCREW TAPPING 5*16 (K)	2
	93903-KEB7	93903-KEB7-C01	SCREW WASHER 4MM	1
	93903-LHJ8	93903-LHJ8-C01	SCREW, TAPPING 5X14	4
	94050	94050-ALD7-C11	NUT FLANGE 10MM	2

F04

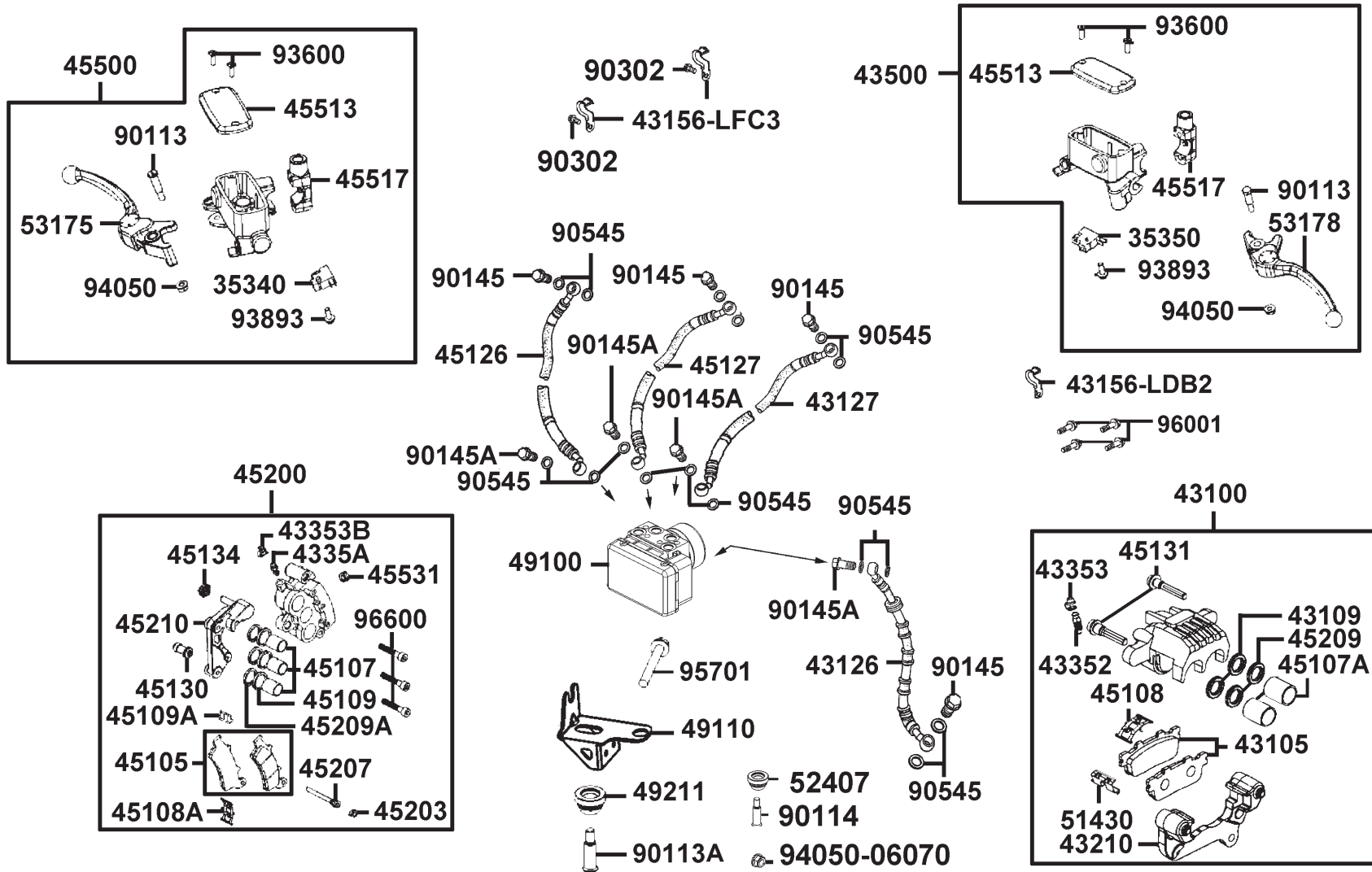
Brake Master Cylinder



Sales mark	Ref no	Part no	Description	Regd no	F04
	35340	35340-AEF6-C00	SW ASSY ,FR STOP	1	
	35350	35350-AEF6-C00	SW ASSY ,RR STOP	1	
**	43100	43100-LGE5-C01	CALIPER ASSYRR	1	
	43105	43105-LGE5-406	PAD SET	1	
	43109	43109-MCA3-C00	SEAL PISTON	2	
	43126	43126-ABD2-C01	"HOSE ASSY. RR BRK(ABS)"	1	
	43127	43127-ABD2-C01	"HOSE ASSY. M/C BRK. RH"	1	
	43156-LDB2	43156-LDB2-C00	CLAMPER HOSE RR	2	
	43156-LFC3	43156-LFC3-E10	CLAMPER HOSE RR	1	
	43210	43210-LGE5-C00	BRACKET FR CALIPER	1	
	43352	43352-KKD6-C00	BLEEDER ASSY	1	
	43353	43353-4A61-C00	CAP BLEEDER	1	
	43353B	43353-KED9-C00	CAP BLEEDER	1	
	4335A	4335A-LBA2-C01	SCREW BLEEDER	1	
	43500	43500-LKG5-C00	M/C ASSY RR	1	
	45105	45105-LKG5-305	PAD SET	1	
	45107A	45107-KED9-C00	PISTON	2	
	45107	45107-LGE5-C00	PISTON C/P	1	
	45108	45108-LDH1-C00	PAD SPRING	1	
	45108A	45108-LGE5-C00	SPRING PAD	1	

F04

Brake Master Cylinder

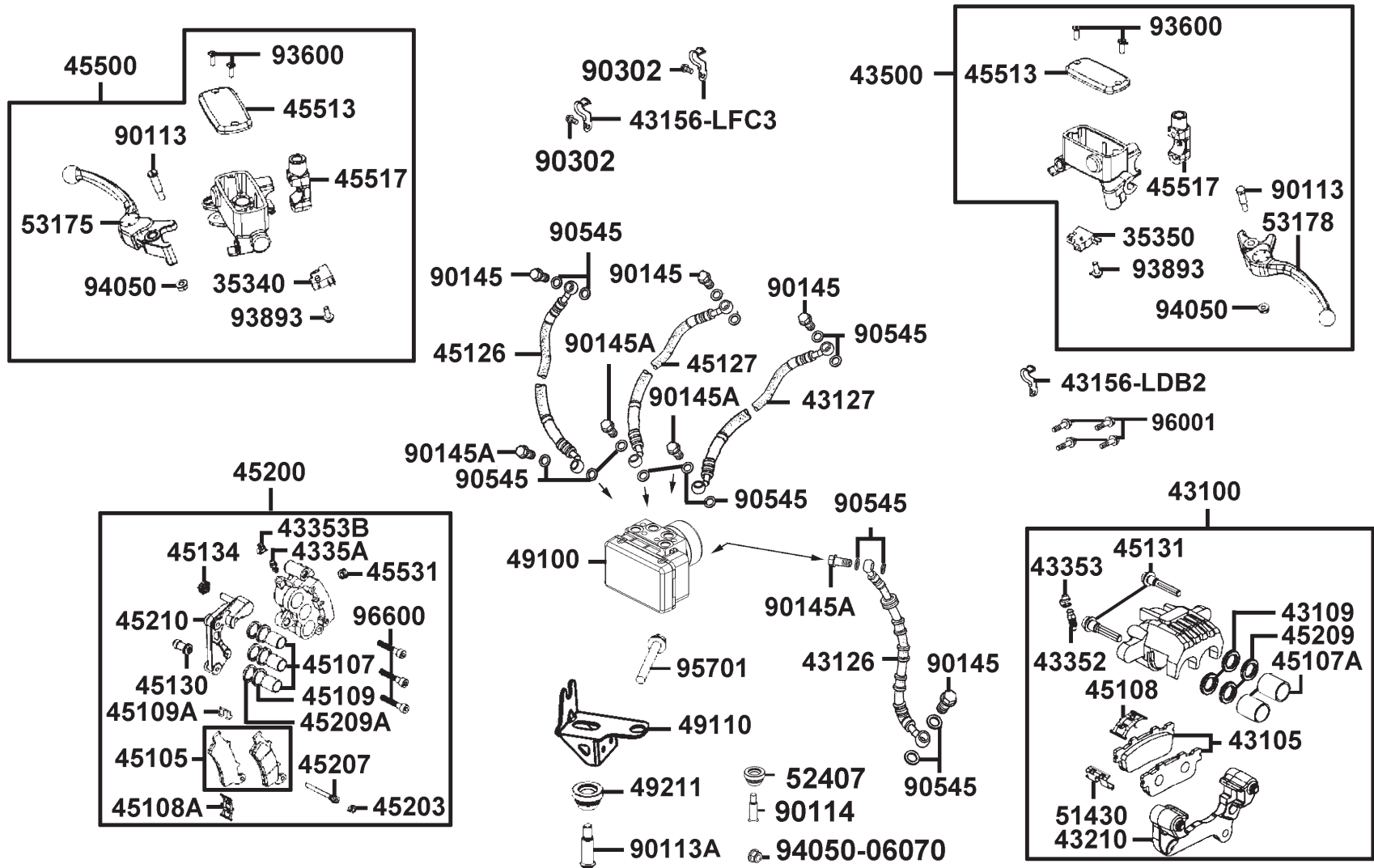


Sales mark	Ref no	Part no	Description	Regd no
	45109	45109-GBE2-C00	DUST SEAL	1
	45109A	45109-LGE5-C00	SLIDE PAD	1
	45126	45126-ABD2-C01	HOSE ASSY FR BRK	1
	45127	45127-ABD2-C01	"HOSE ASSY. M/C BRK. LH"	1
	45130	45130-LGE-C00	PUSH BOOT PIN	1
	45131	45131-LGE5-C00	PIN BOLT	1
	45134	45134-KED9-C00	BOOT B	1
	45200	45200-LKG7-C01	CALIPER ASSY FR BRK	1
	45203	45203-KED9-C00	PLUG PIN	1
	45207	45207-LGE5-C00	PIN HANGER	1
	45209A	45209-GBE2-C00	SEAL PISTON	1
	45209	45209-KED9-C00	SEAL PISTON	1
	45210	45210-LKG7-C00	BRACKET ASSY FR	1
	45500	45500-LKG7-C00	M/C ASSY FR BRK	1
	45513	45513-LEA7-C00	CAP M/C	1
	45517	45517-LBA2-C00	HOLDER M/C	2
	45531	45531-KED9-C00	PLUG	1
	49100	49100-ACD5-E01	MODULATOR ASSY ABS	1
	49110	49110-LGE5-C01	STAY ABS	1
	49211	49211-LFH1-C00	RUBBER RUSH	1

F04

F04

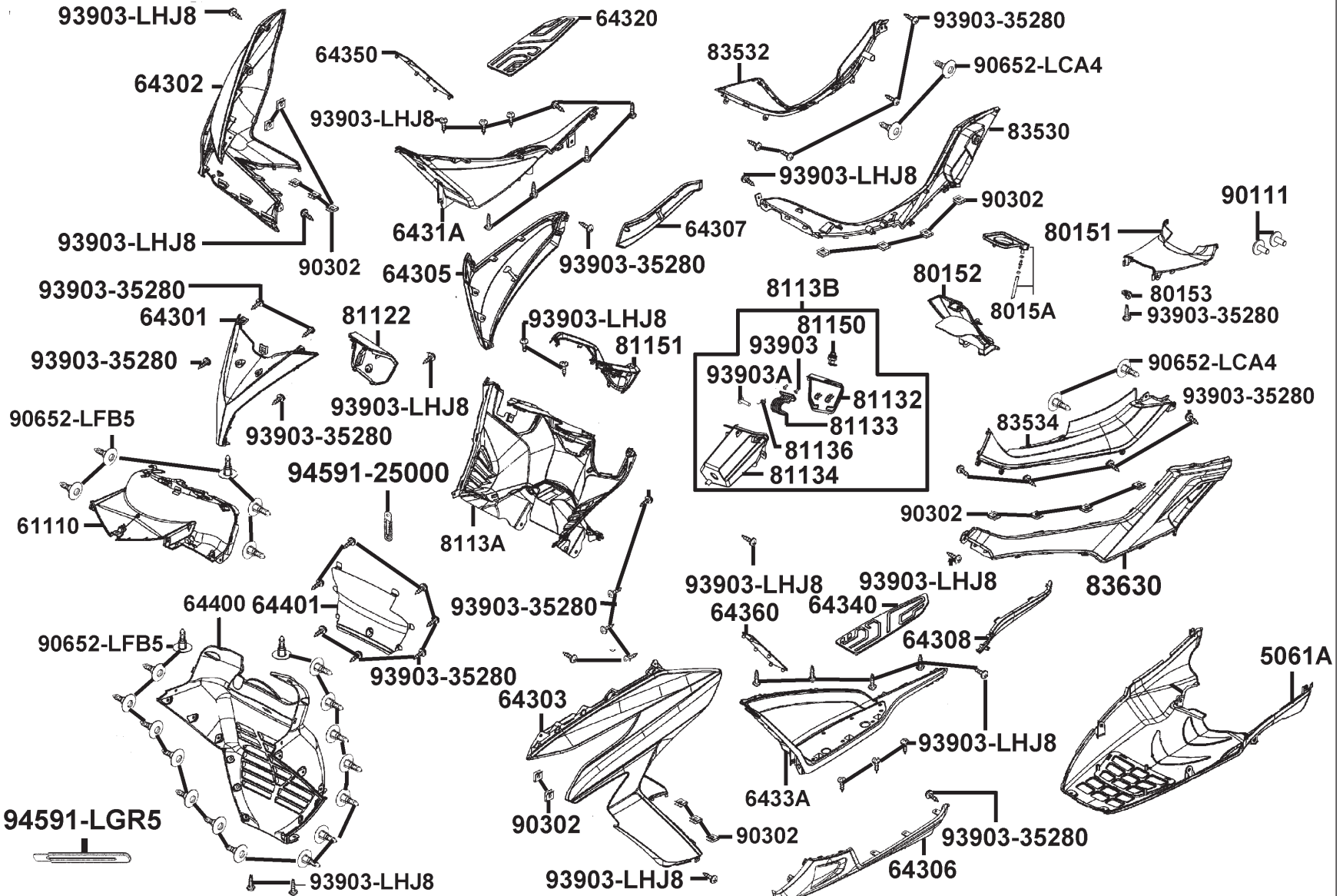
Brake Master Cylinder



Sales mark	Ref no	Part no	Description	Regd no	F04
	51430	51430-LGE5-C00	SLIDE PAD	1	
	52407	52407-LLB1-C00	RUBBER BUSH	1	
**	53175	53175-LKF5-C00	LEVER R STRG HANDLE	1	
**	53178	53178-LKF5-C00	LEVER L STRG HANDLE	1	
	90113	90113-KKA8-C00	BOLT HANDLE LEVER	2	
	90113A	90113-LGE5-C01	BOLT FLANGE 6X20	1	
	90114	90114-LGE5-C01	BOLT FLANGE 6X30.5 ABS	1	
	90145	90145-LFH1-E00	OIL BOLT 10X22	1	
	90145A	90145-MKS9-C00	OIL BOLT 10*22(G)	1	
	90302	90302-LLB1-C01	BOLT-WASH 5*12	1	
	90545	90545-3L00-C00	WASHER OIL BOLT	1	
	93600	93600-04012-1G	SCREW FLAT 4X12	1	
	93893	93893-04012-18	SCREW WASHER 4*12	1	
	94050	94050-06060	NUT FLANGE 6MM	1	
	94050-06070	94050-06070-G	NUT FLANGE 6MM (KG)	3	
	95701	95701-06050-07G	BOLT FLANGE 6*50 (G)	1	
	96001	96001-06012-07G	BOLT FLANGE 6*12(G)	4	
	96600	96600-LGE5-C00	SOCKET BOLT	1	

F05

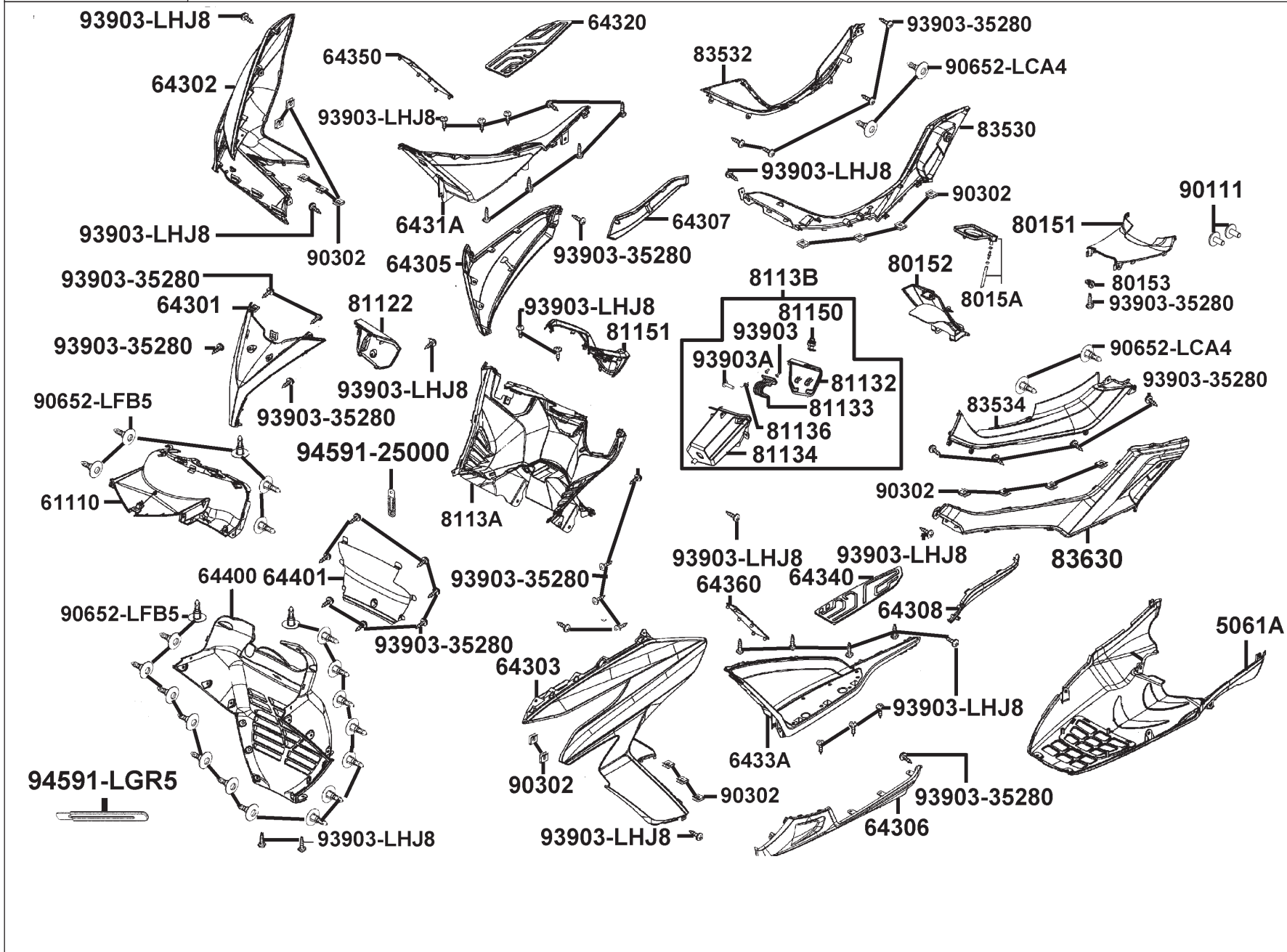
Front Cover Front Fender



Sales mark	Ref no	Part no	Description	Regd no
**	5061A	5061A-ABD2-C00	"ASSY.. UNDER COVER"	1
**	61110	61110-ABD2-C00	"INNER FENDER. FRONT"	1
**	64301	64301-ABD2-C00	"COVER. FRONT"	1
**	64302	64302-ABD2-C00	"FRONT MOLD, R"	1
**	64303	64303-ABD2-C00	"FRONT MOLD, L"	1
**	64305	64305-ABD2-C00	SKIRT R SIDE	1
**	64306	64306-ABD2-C00	"SKIRT A. L SIDE"	1
**	64307	64307-ABD2-C00	COVER R SIDE MOLD	1
**	64308	64308-ABD2-C00	COVER L SIDE MOLD	1
**	6431A	6431A-ABD2-C00	"ASSY.. PANEL R FLOOR"	1
**	64320	64320-ABD2-C00	MAT ,R FLOOR	1
**	6433A	6433A-ABD2-C00	"ASSY.. PANEL L FLOOR"	1
**	64340	64340-ABD2-C00	"MAT .L FLOOR"	1
**	64350	64350-ABD2-C00	"MAT .R LEG SHIELD"	1
**	64360	64360-ABD2-C00	"MAT .L LEG SHIELD"	1
**	64400	64400-ABD2-C00	"COWL. UNDER"	1
	64401	64401-ABD2-C00	"MESH.UNDER COWL"	1
**	80151	80151-ABD2-C00	"COVER. CENTER"	1
**	80152	80152-ABD2-C00	"LID. FUEL CAP MAINT."	1
	80153	80153-ABD2-C00	"STAY.FUEL COVER"	1

F05

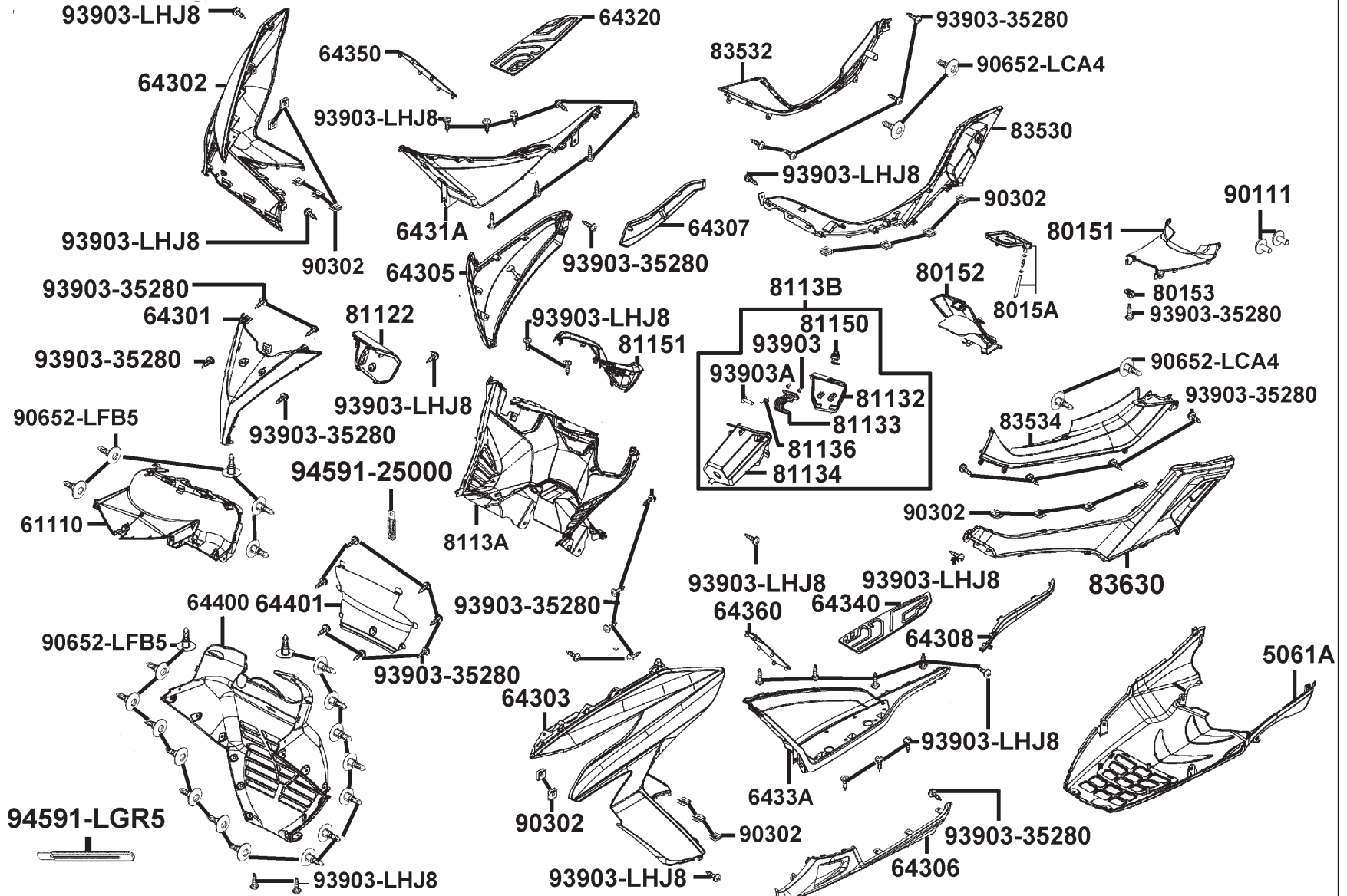
Front Cover Front Fender



Sales mark	Ref no	Part no	Description	Regd no
	8015A	8015A-ABD2-C00	"TRAY ASSY..FUEL CAP"	1
**	81122	81122-ABD2-C00	"LID. RESERVE TANK"	1
	81132	81132-ABD2-C00	LID L FR INNER BOX	1
	81133	81133-ABD2-C00	HINGE LID L FR INNR BOX	1
	81134	81134-ABD2-C00	BOX L FR INNER BOX	1
	81136	81136-LEA7-E00	SPRING FR INNER BOX L	1
**	8113A	8113A-ABD2-C00	"ASSY.. LEG SHIELD"	1
**	8113B	8113B-ABD2-C00	"BOX ASSY..L FRONT"	1
	81150	81150-ZZA6-E00	LOCKLESS ASSY	1
**	81151	81151-ABD2-C00	"COVER.KEYNDLE"	1
**	83530	83530-ABD2-C00	BOARD A. R SIDE	1
**	83532	83532-ABD2-C00	"BOARD B. R SIDE"	1
**	83534	83534-ABD2-C00	"BOARD B. L SIDE"	1
**	83630	83630-ABD2-C00	BOARD A. L SIDE	1
	90111	90111-06016-07G	BOLT FLANGE 6*16 (K)	14
	90302	90302-LKB9-C00	NUT SPRING 5MM	48
	90652-LCA4	90652-LCA4-C10	CLIP MUDGUARD	4
	90652-LFB5	90652-LFB5-C00	"CLIP, MUDGUARD"	18
	93903	93903-25260	SCREW TAPPING 5X12	2
	93903A	93903-34760	SCREW TAPPING 4*30	1

F05

Front Cover Front Fender

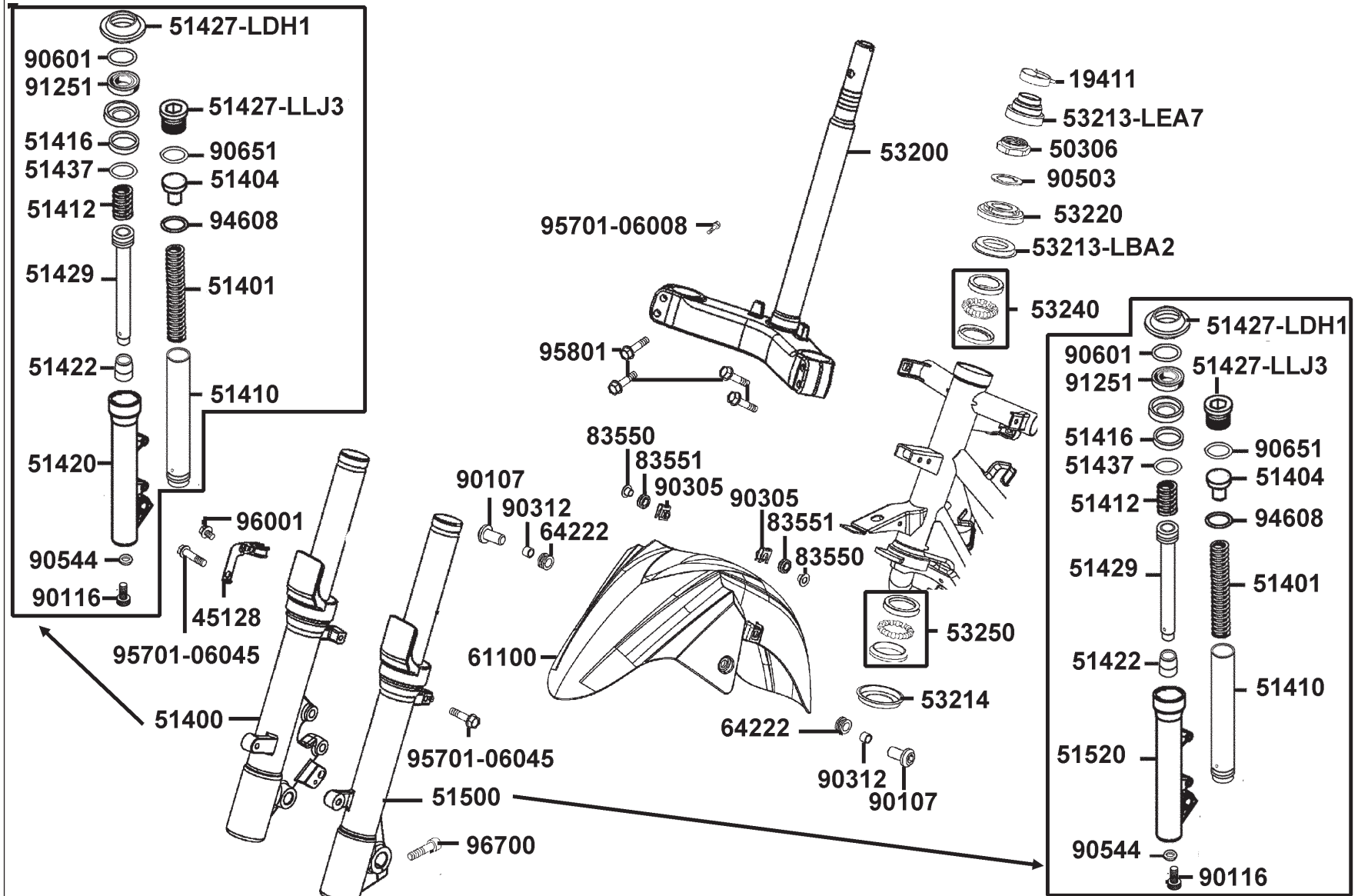


Sales mark	Ref no	Part no	Description	Regd no
	93903-35280	93903-35280-G	SCREW TAPPING 5*12 (K)	1
	93903-LHJ8	93903-LHJ8-C01	SCREW,TAPPING 5X14	45
	94591-25000	94591-25000	CLIP BIND	1
	94591-LGR5	94591-LGR5-E10	CLIP 1*100	1

F05

F06

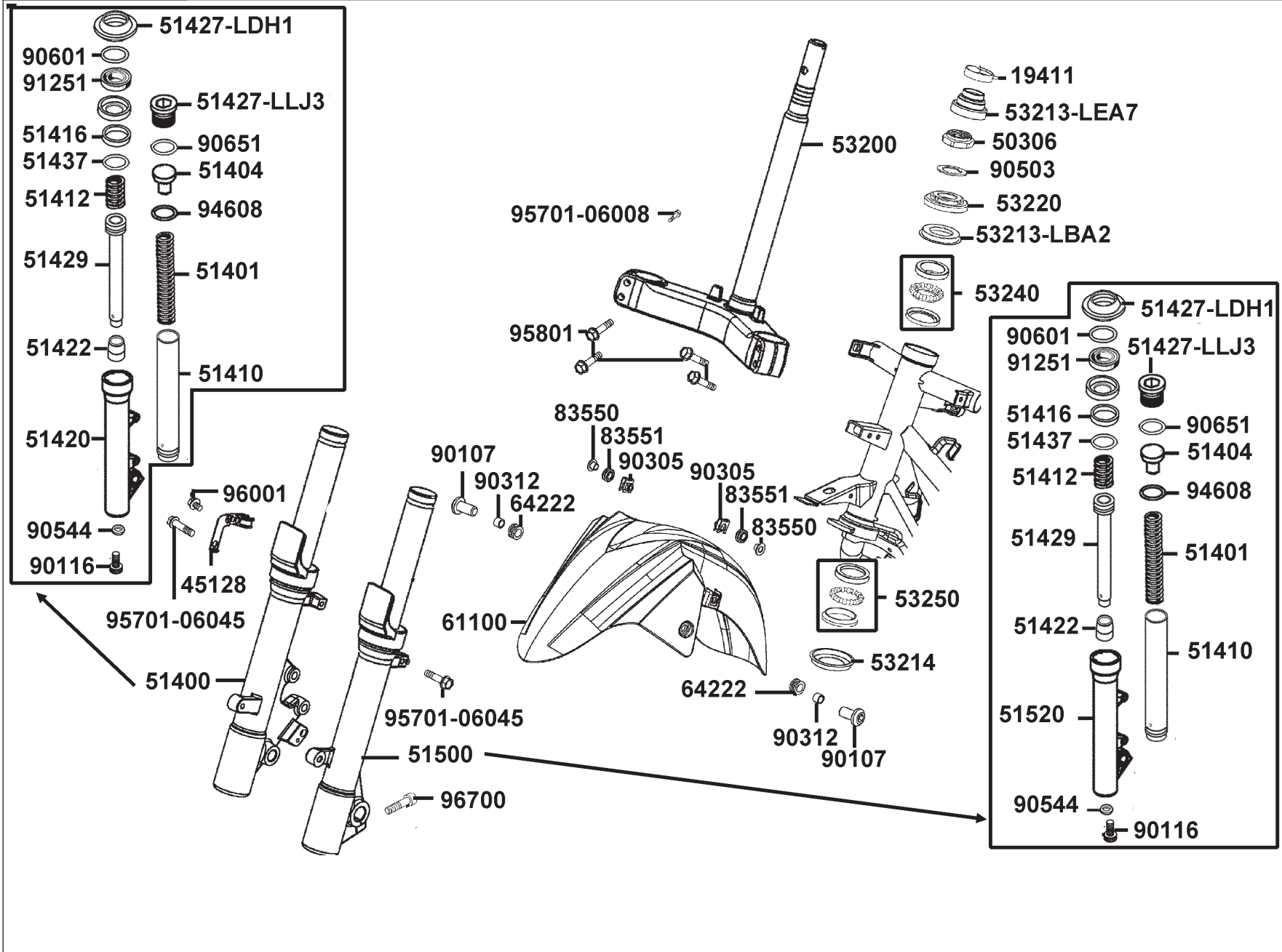
Stem Steering Front Cushion



Sales mark	Ref no	Part no	Description	Regd no
	19411	19411-LFG2-C00	"CLIP. HOSE"	1
	45128	45128-ABD2-C00	CLAMPER FR BRK HOSE	1
	50306	50306-1F96-C00	NUT STRG STEM LOCK	1
**	51400	51400-ABD2-E00	FORK ASSY RH FR	1
	51401	51401-ABD2-E00	SPRING	2
	51404	51404-LDH1-C00	SPRING COLLAR	2
	51410	51410-LEA7-C00	FORK PIPE COMP	1
	51412	51412-LLJ3-C00	REBOUND SPRING	2
	51416	51416-LDH1-C00	GUIDE BUSH	1
**	51420	51420-ABD2-C00	BOTTOM CASE R	1
	51422	51422-KED9-C00	OIL LOCK PIECE	1
	51427-LDH1	51427-LDH1-C00	DUST SEAL	1
	51427-LLJ3	51427-LLJ3-C00	FORK BOLT CAP	1
	51429	51429-ABD2-E00	PIPE SEAT COMP	2
	51437	51437-LDH1-C00	PISTON RING	2
**	51500	51500-ABD2-E00	FORK ASSY LH FR	1
**	51520	51520-ABD2-C00	BOTTOM CASE L	1
	53200	53200-ACD5-C00	"STEM COMP.. STRG"	1
	53213-LBA2	53213-LBA2-C00	DUST SEAL STRG HEAD TOP	1
	53213-LEA7	53213-LEA7-C00	"DUST SEAL. STRG"	1

F06

Stem Steering Front Cushion



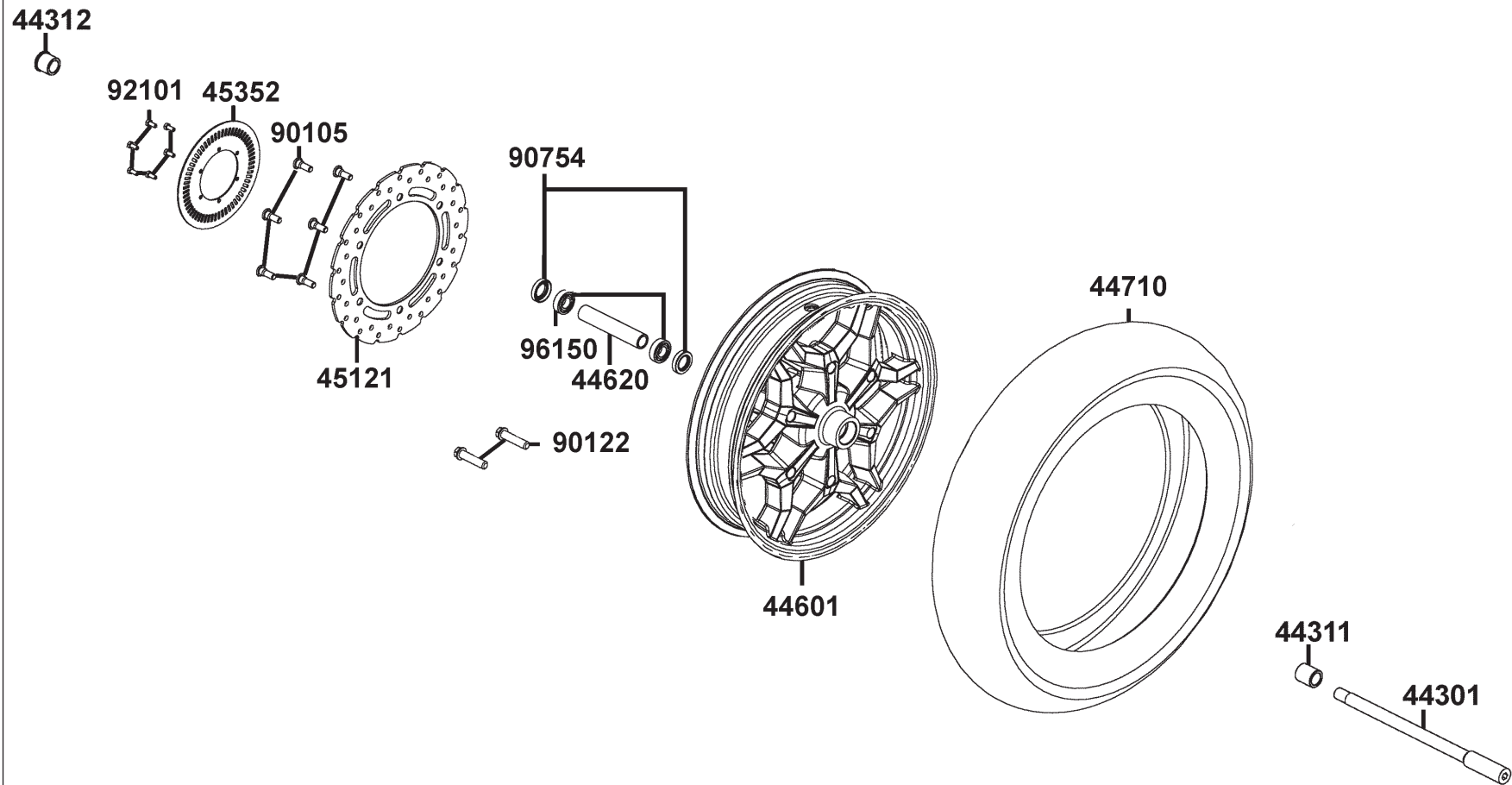
Sales mark	Ref no	Part no	Description	Regd no
	53214	53214-LBA2-C00	DUST SEAL STRG HEAD BOT	1
	53220	53220-LBA2-E00	THREAD COMP STRG HEAD TOP	1
	53240	53240-LEA7-90A	BEARING TOP STRG (mark:TP1)	1
	53250	53250-LEA7-90A	BEARING BOT STRG (mark:TP1)	1
**	61100	61100-ABD2-C00	FRONT FENDER	1
	64222	64222-LLJ3-C00	RUBBER WIND SCREEN	2
	83550	83550-KEC8-C00	COLLAR SET METER	2
	83551	83551-KEC8-C10	GROMMET COVER	2
	90107	90107-LEA7-C01	BOLT SPECIAL 8*26	1
	90116	90116-KEC8-C00	SOCKET BOLT	2
	90305	90305-LBA2-C00	"NUT.CLIP 6MM"	2
	90312	90312-LLJ3-C00	COLLAR WIND SCREEN	2
	90503	90503-LEA7-C00	WASHER STRG STEM NUT	1
	90544	90544-KEC8-C00	PACKING	2
	90601	90601-LLJ3-C00	OIL SEAL STOPPER RING	2
	90651	90651-LLJ3-C00	STOPPER RING	2
	91251	91251-LLJ3-C00	OIL SEAL	2
	94608	94608-LLJ3-C00	O-RING	2
	95701-06008	95701-06008-07G	BOLT FLANGE 6*12(G)	1
	95701-06045	95701-06045-06	BOLT FLANGE 6*45	2

Sales mark	Ref no	Part no	Description	Regd no
	95801	95801-08040-08G	BOLT FLANGE 8*40	1
	96001	96001-06012-07G	BOLT FLANGE 6*12(G)	1
	96700	96700-KED9-C01	SOCKET BOLT 8*30 (G)	1

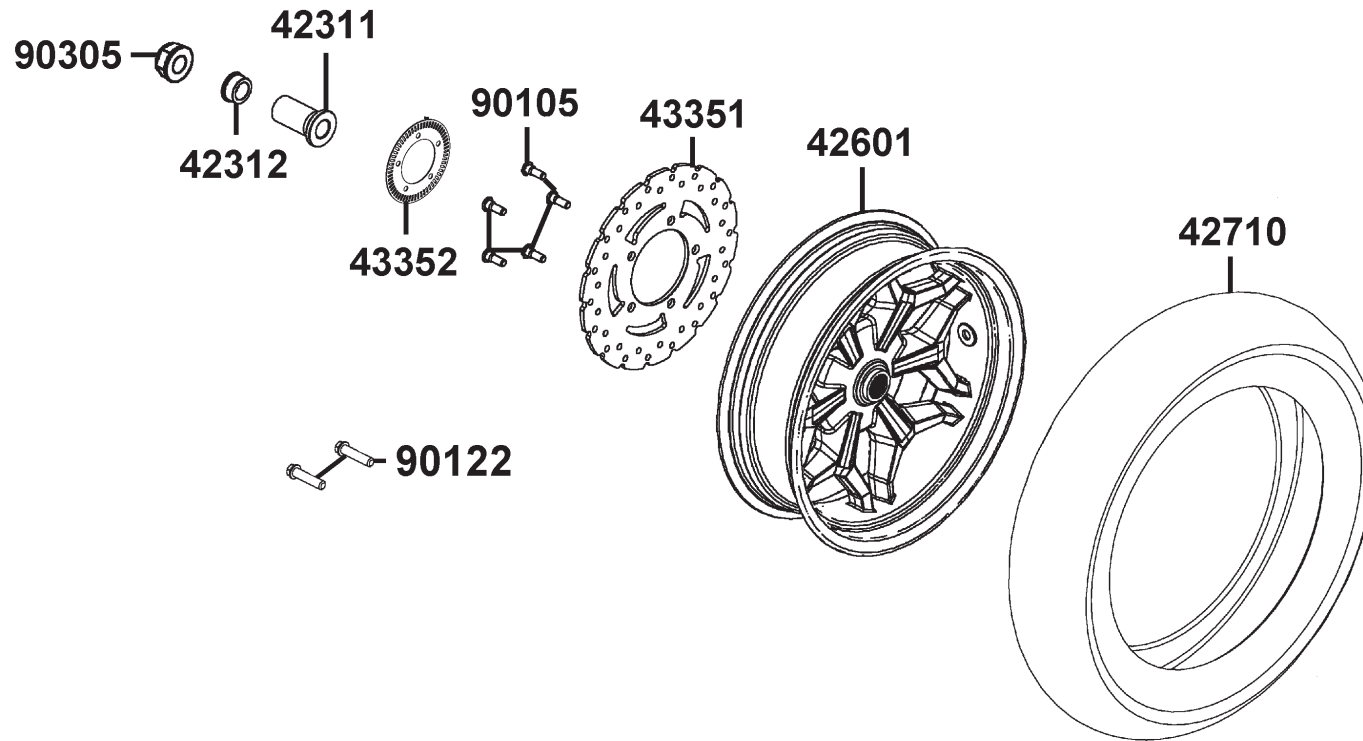
F06

F07

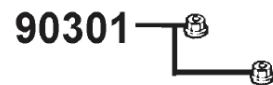
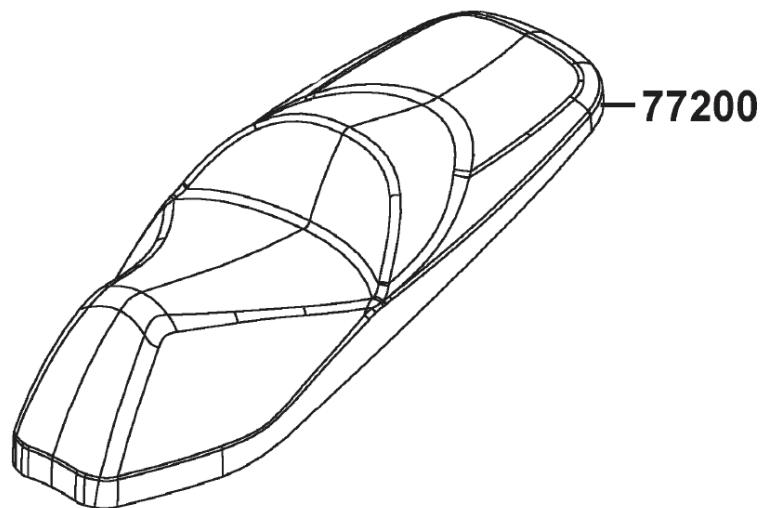
Front Wheel



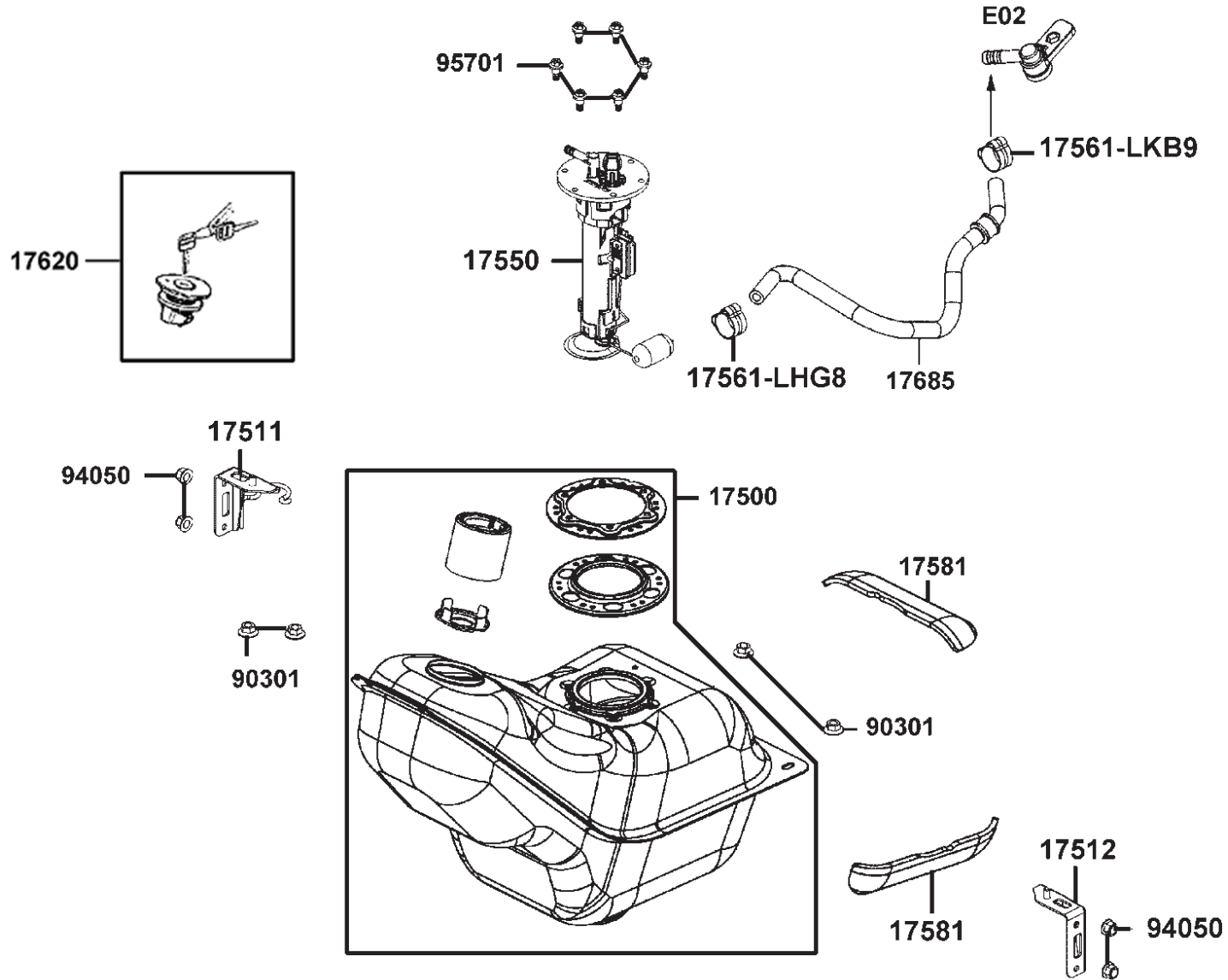
Sales mark	Ref no	Part no	Description	Regd no	F07
	44301	44301-LEA7-E00	AXLE FR WHEEL M14*282MM	2	
	44311	44311-LEA7-C00	COLLAR FR AXLE SIDE	1	
	44312	44312-LEA7-C00	COLLAR FR AXLE SIDE A	1	
	44601	44601-ABD2-E30	WHEEL FR CAST	1	
**	44620	44620-LEA7-C00	COLLAR FR DIST	1	
	44710	44710-ABD2-C00	"TIRE ASSY. FR"	1	
	45121	45121-ABD2-C00	"DISK. FR BRAKE"	1	
	45352	45352-ABD2-900	TOOTHED RING SENSOR	1	
	90105	90105-KCR3-C02	BOLT FR DISK 8*24	5	
	90122	90122-LEA7-C01	BOLT FLANGE 8*32	2	
	90754	90754-LLJ3-C00	DUST SEAL 22X32X7	2	
	92101	92101-05012-0HG	BOLT HEX 5*12	1	
	96150	96150-60020-10	BEARING BALL RADIAL 6002	2	



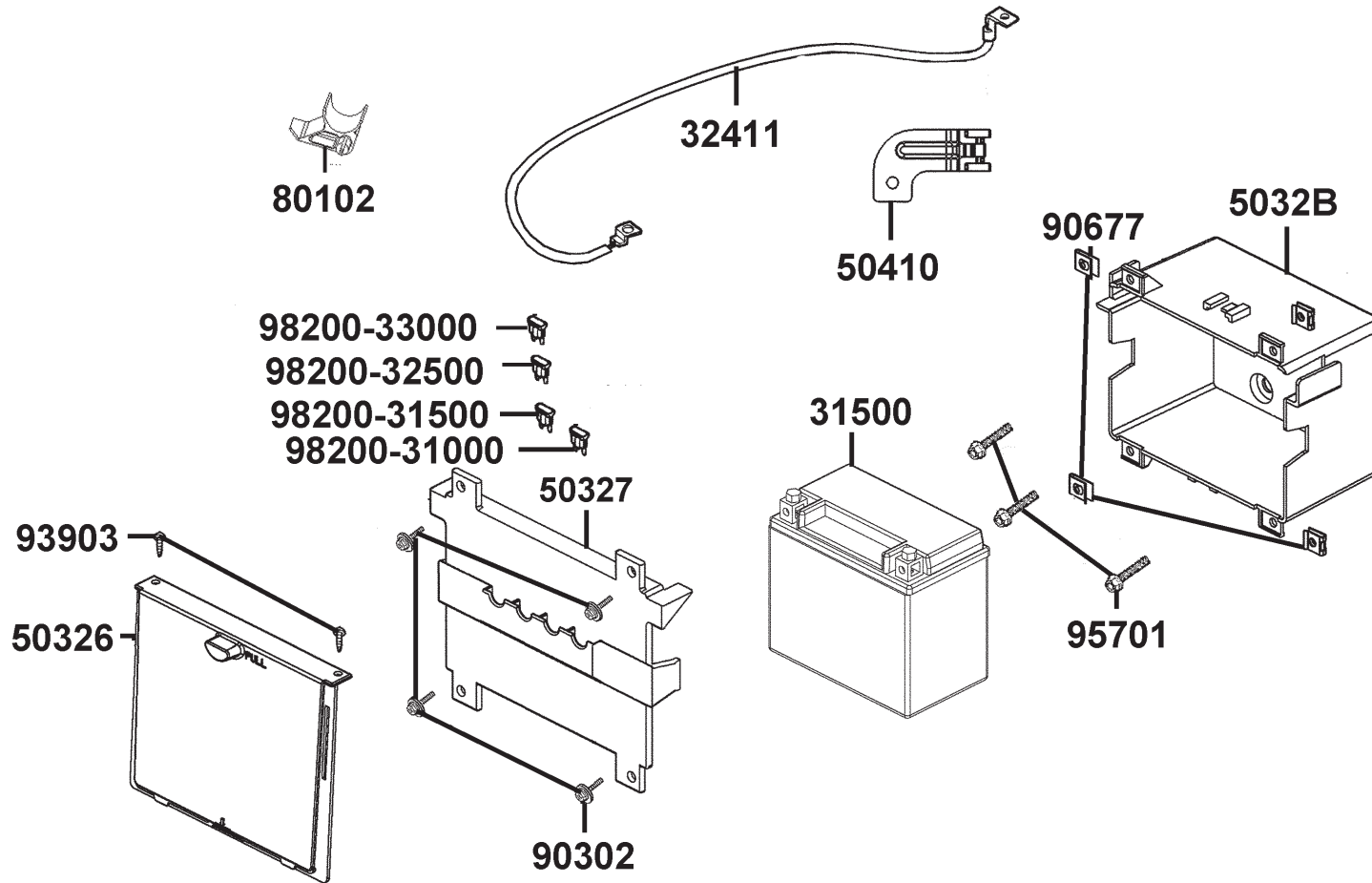
Sales mark	Ref no	Part no	Description	Regd no	F08
	42311	42311-ABD2-C00	COLLAR RR PANDL SIDE	1	
	42312	42312-LEA7-C00	"COLLAR. RR AXLE SIDE"	1	
**	42601	42601-ABD2-E30	WHEEL RR CAST	1	
	42710	42710-ABD2-C00	"TIRE ASSY. RR"	1	
	43351	43351-ABD2-C00	"DISK. RR BRK"	1	
	43352	43352-LEA7-E01	TOOTHED RING SENSOR	1	
	90105	90105-KCR3-C02	BOLT FR DISK 8*24	1	
	90122	90122-LEA7-C01	BOLT FLANGE 8*32	2	
	90305	90305-KKAK-C00	NUT U FLANGE 16MM	1	



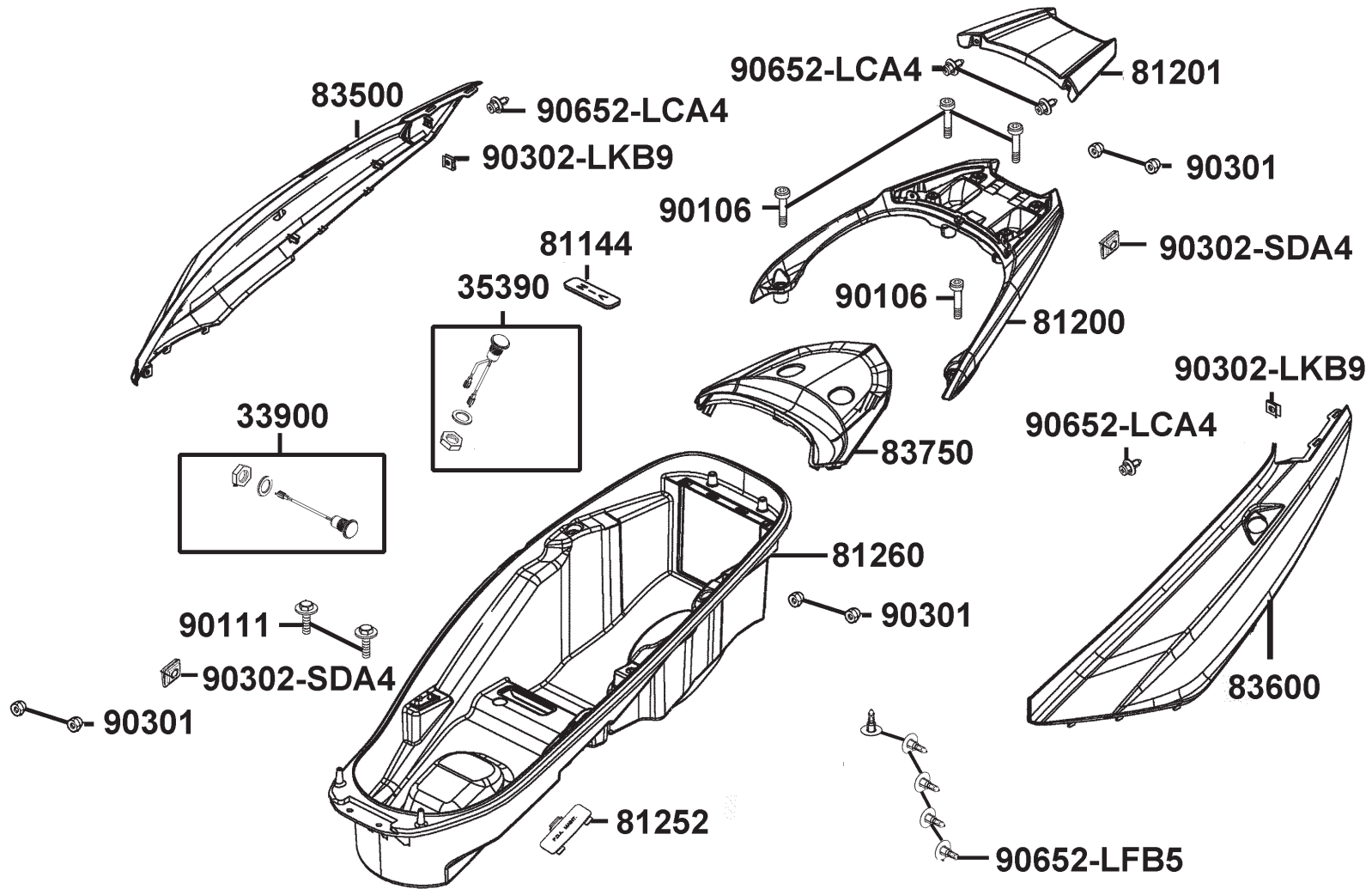
Sales mark	Ref no	Part no	Description	Regd no	F09
**	77200	77200-ABD2-C00	SEAT ASSY.	1	
	90301	90301-6C93-C01	NUT 6MM OPENSTAY	1	



Sales mark	Ref no	Part no	Description	Regd no	F10
	17500	17500-ABD2-C00	TANK COMP FUEL	1	
	17511	17511-ABD2-C00	"STAY R.FUEL TANK"	1	
	17512	17512-ABD2-C00	"STAY L.FUEL TANK"	1	
	17550	17550-LEA7-800	FUEL PUMP MODULE ASSY	1	
	17561-LHG8	17561-LHG8-E00	CLIP 13.0	1	
	17561-LKB9	17561-LKB9-900	CLIP 12.5	1	
	17581	17581-LEA7-C00	"SPONGE.FUEL TANK"	2	
	17685	17685-ABD2-C00	"TUBE. FUEL COMP"	1	
	17620	17620-ACJ2-BJ0	CAP COMP FUEL FILLER	1	
	90301	90301-6D34-C01	NUT FLANGE 6MM(C)	4	
	94050	94050-06070-G	NUT FLANGE 6MM (KG)	4	
	95701	95701-LDF2-800	BOLT FLANGE 5*6.5	1	



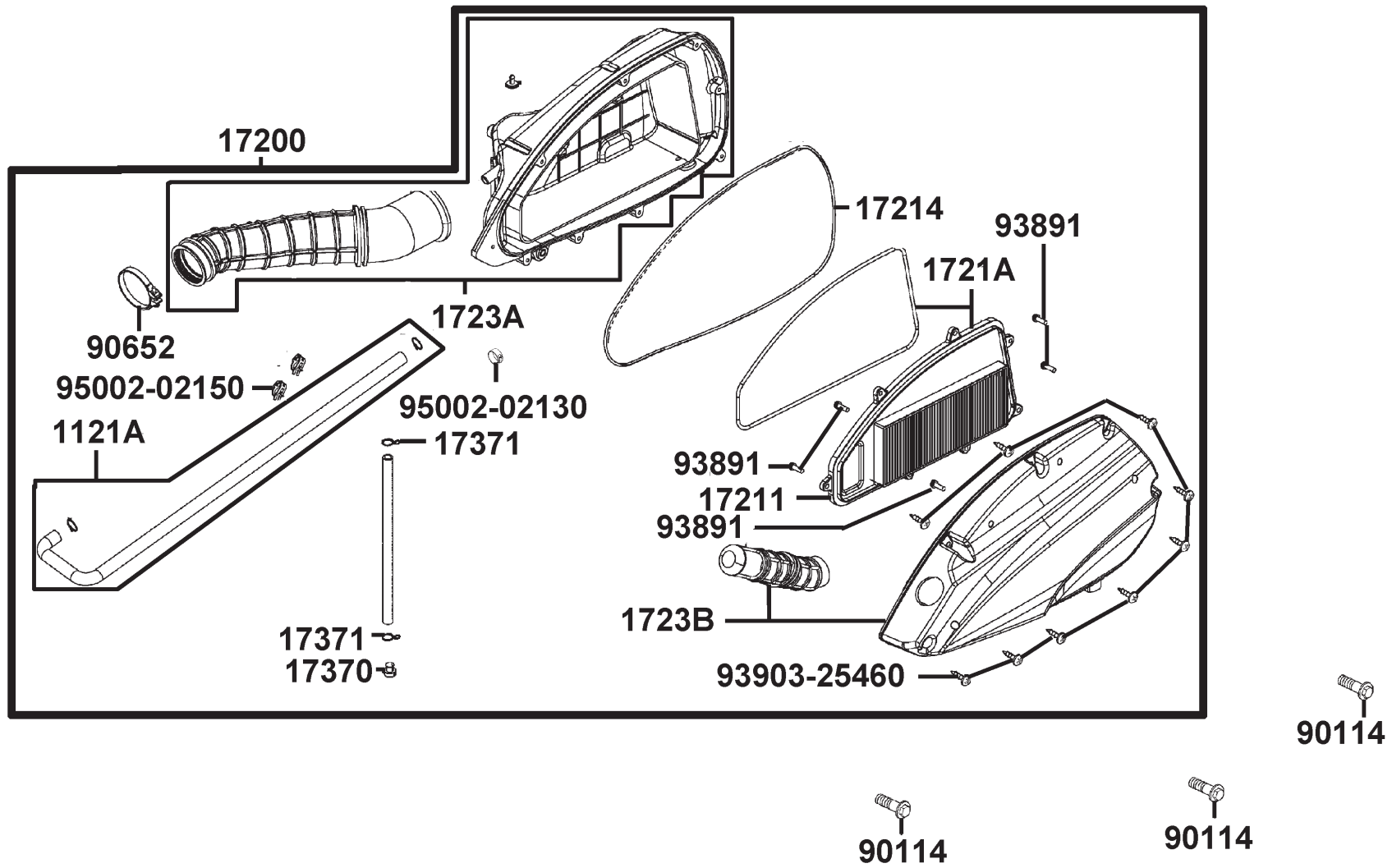
Sales mark	Ref no	Part no	Description	Regd no	F11
	31500	31500-KHE7-EZ0	BATTERY YT12-4	1	
	32411	32411-ABD2-C00	"CABEL. BATTERY"	1	
**	50326	50326-ABD2-C00	COVER BATTERY	1	
**	50327	50327-ABD2-C01	COVER ASSY BATTERY	1	
	5032B	5032B-ABD2-C01	CASE BATTERY (12AH)	1	
	50410	50410-ABD2-C01	"STAY.FUSE BOX"	1	
	80102	80102-ABD2-C00	PLATE SPLASH BOARD	1	
	90302	90302-GFY6-C11	BOLT-WASH 5*16	4	
	90677	90677-GAR1-C01	NUT CLIP 5MM	1	
	93903	93903-34380-G	SCREW TAPPING 4x12	2	
	95701	95701-06012-07G	BOLT FLANGE 6X12 (KG)	3	
	98200-31000	98200-31000	BLADE FUSE 10A **(0) C.2005.03.01	1	
	98200-31500	98200-31500	FUSE A15	3	
	98200-32500	98200-32500	BLADE FUSE 25A	3	
	98200-33000	98200-33000	BLADE FUSE 30A	2	



Sales mark	Ref no	Part no	Description	Regd no
	33900	33900-LHG7-E00	LIGHT ASSY LUGGAGE BOX	1
	35390	35390-LHG7-E00	SENSOR .LUGGAGE BOX LIGHT	1
	81144	81144-ALJ8-E10	LID LEG SHIELD	1
**	81200	81200-ABD2-C00	CARRIER RR	1
**	81201	81201-ABD2-C00	"COVER.CARRIER REAR"	1
**	81252	81252-ABD2-C00	"COVER. P.D.A MAINT."	1
**	81260	81260-ABD2-C00	ASSY.. BOX LUGGAGE	1
**	83500	83500-ABD2-C00	"COVER, R BODY"	1
**	83600	83600-ABD2-C00	COVER L BODY	1
**	83750	83750-ABD2-C00	COVER RR.CENTER	1
	90106	90106-KFC2-900	BOLT SPECIAL 8MM	1
	90111	90111-06016-07G	BOLT FLANGE 6*16 (K)	2
	90301	90301-6C93-C01	NUT 6MM OPENSTAY	6
	90302-LKB9	90302-LKB9-C00	NUT SPRING 5MM	2
	90302-SDA4	90302-SDA4-C01	"NUT ,SPRING 4MM"	2
	90652-LCA4	90652-LCA4-C10	CLIP MUDGUARD	4
	90652-LFB5	90652-LFB5-C00	"CLIP,MUDGUARD"	5

F13

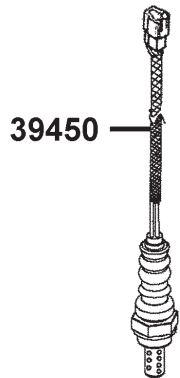
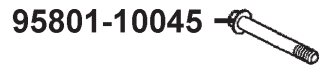
Air Cleaner



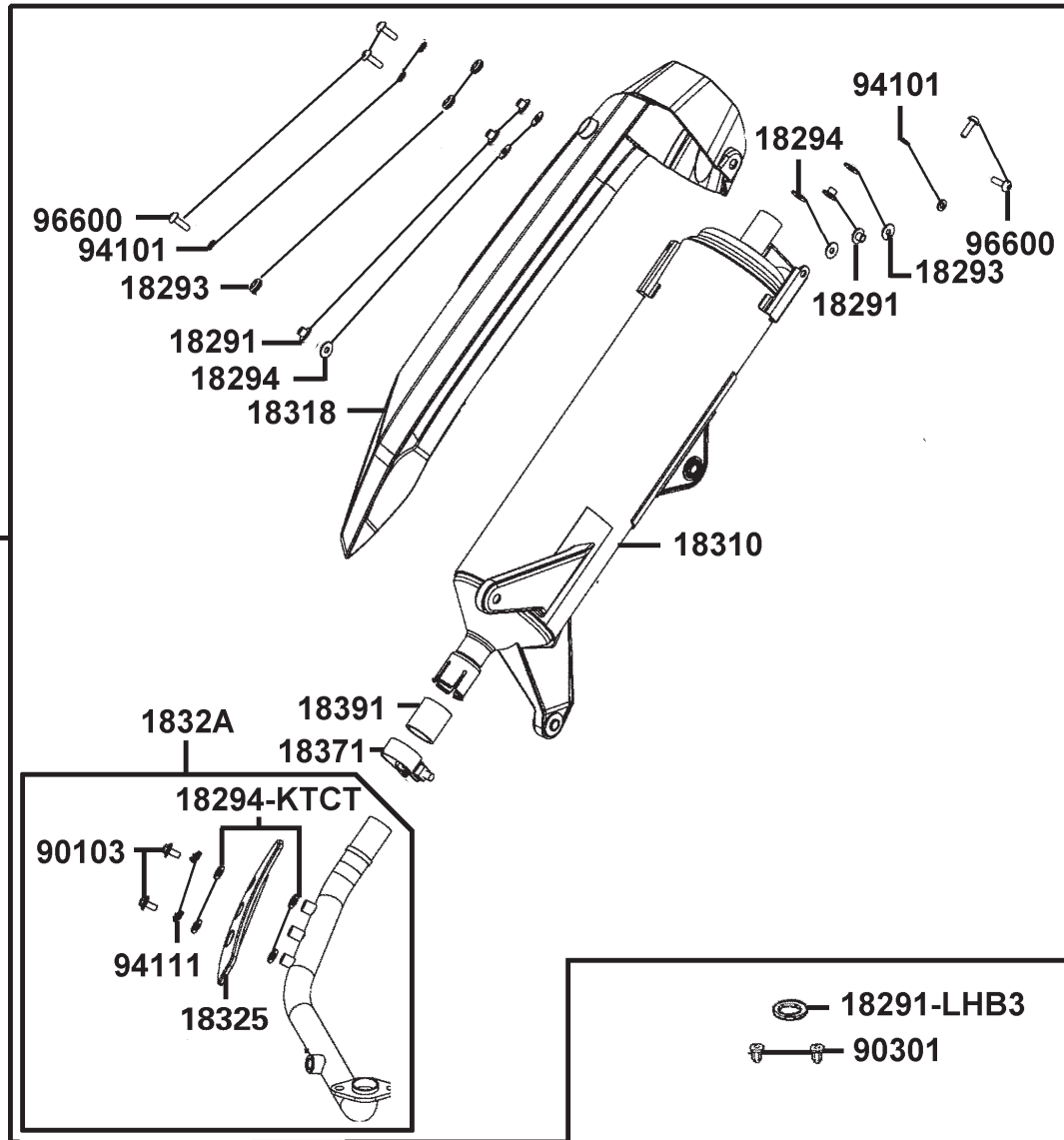
Sales mark	Ref no	Part no	Description	Regd no
	1121A	1121A-ABD2-C00	TUBE BREATHER	1
	17200	17200-ACJ2-C00	AIR/C ASSY	1
	17211	17211-ABD2-C00	"ELEMENT.AIR/C"	1
	17214	17214-ABD2-C00	SEAL AIR/C CASE	1
	1721A	1721A-ABD2-C00	ELEMENTASSY AIR/C	1
	1723A	1723A-ACJ2-BJ0	CASE ASSY.,AIR/C	1
	1723B	1723B-ABD2-C00	COVER ASSY AIR/C	1
	17370	17370-4K19-C00	PLUG BREATHER TUBE	1
	17371	17371-1D74-671	CLIP BREATHER TUBE	2
	90114	90114-GDM4-C01	BOLT FLANGE SH 6*28	3
	90652	90652-KHE7-900	BAND CONNECTING TUBE	1
	93891	93891-05016-06	SCREW WASH 5*16	5
	93903-25460	93903-25460	SCREW TAPPING 5*20 **93903-25480	9
	95002-02130	95002-02130	CLIP B12.5 TUBE	1
	95002-02150	95002-02150	CLIP B14.5 TUBE	2

F14

Exhaust Muffler



1830A

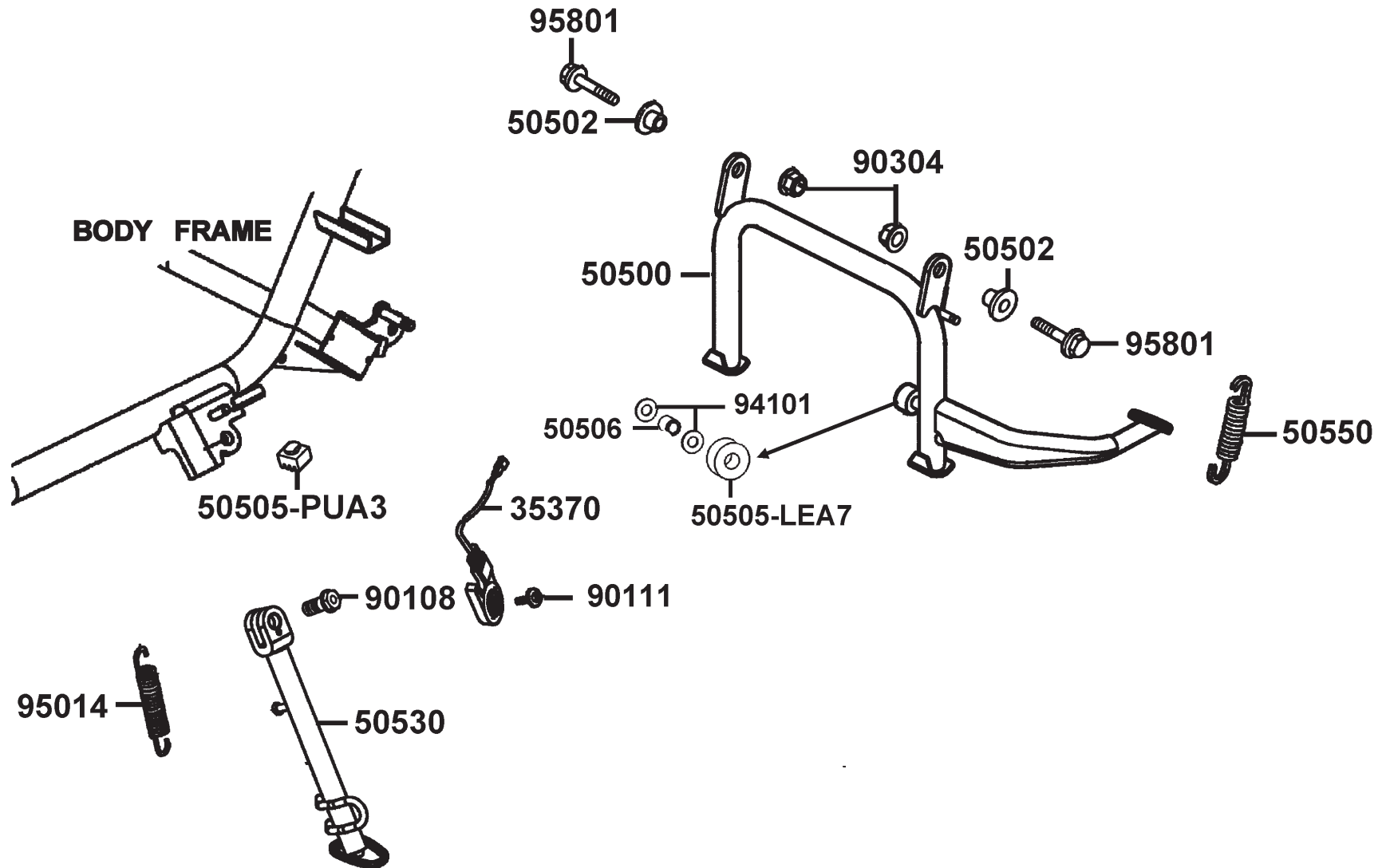


Sales mark	Ref no	Part no	Description	Reg description	Regd no
	18291-LHB3	18291-LHB3-E11	GASKET EXH PIPE	GASKET EXH PIPE	1
	18291	18291-LKG2-C00	COLLAR	COLLAR	5
	18293	18293-KEBE-C00	RUBBER PKG PROTR	RUBBER PKG PROTR	1
	18294-KTCT	18294-KTCT-C00	PACKING PROTECTOR	PACKING PROTECTOR	4
	18294	18294-PUA3-B50	PACKING PTOTECTOR	PACKING PTOTECTOR	5
	1830A	1830A-ACJ2-B90	MUFFLER ASSY EXH	MUFFLER ASSY EXH	1
	18310	18310-ACJ2-B90	MUFFLER COMP EXH	MUFFLER COMP EXH	1
**	18318	18318-ACD5-E00	PROTECTOR.MUFFLER	PROTECTOR.MUFFLER	1
**	18325	18325-ABD2-C00-HJS	PROTECTOR.EXHAUST	PROTECTOR.EXHAUST	1
	1832A	1832A-ACJ2-B90			1
	18371	18371-ABD2-C00	BAND MUFFLER	BAND MUFFLER	1
	18391	18391-LDB2-C00	GASKET	GASKET	1
	39450	39450-LEA6-800	O2 SENSOR	O2 SENSOR	1
	90103	90103-LEA7-E00	BOLT FLANGE 6*16	BOLT FLANGE 6*16	1
	90301	90301-GFY6-C01	NUT (HEX) CAP 8MM	NUT (HEX) CAP 8MM	2
	94101	94101-LEA2-C00	"WASHER PLAIN.6.5X18X1.5"	"WASHER PLAIN.6.5X18X1.5"	5
	94111	94111-06800	WASHER SPRING 6MM	WASHER SPRING 6MM	2
	95801-10045	95801-10045-07G	BOLT FLANGE 10*45 (G)	BOLT FLANGE 10*45 (G)	2
	95801-10057	95801-10057-07G	BOLT FLANGE 10*57 (G)	BOLT FLANGE 10*57 (G)	1
	96600	96600-LEA7-C00	SOCKET BOLT 6X20	SOCKET BOLT 6X20	5

F14

F15

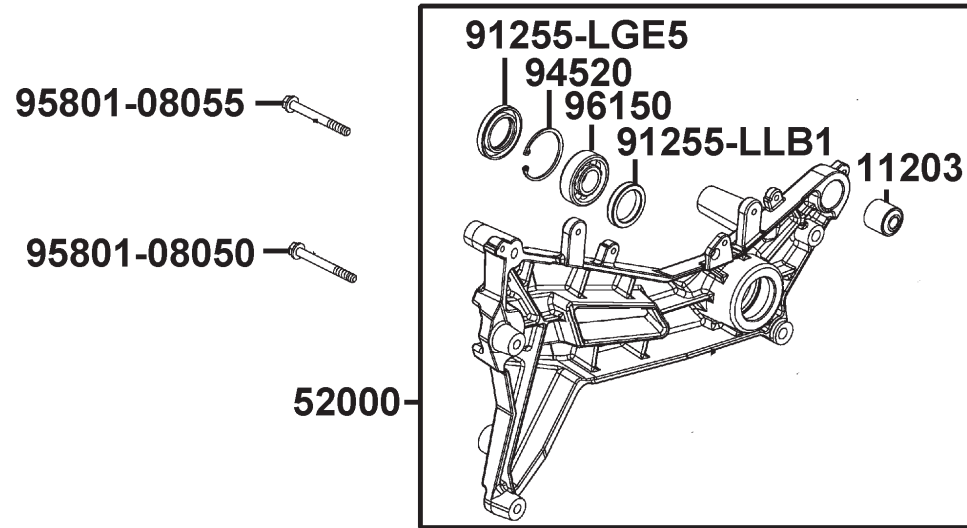
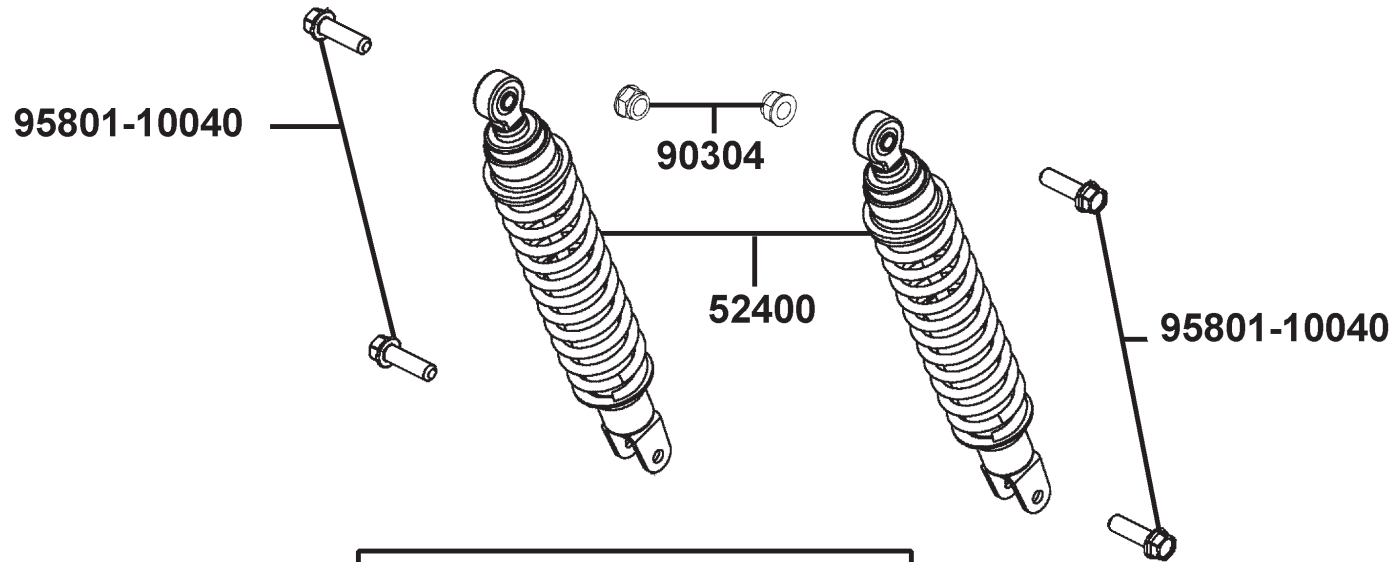
Stand Kick Starter Arm



Sales mark	Ref no	Part no	Description	Regd no	F15
	35370	35370-LLJ3-E00	SW UNIT SIDE STAND	1	
	50500	50500-ABD2-C00	"STAND COMP.. MAIN"	1	
	50502	50502-LDF7-C00	COLLAR,MAIN STAND	1	
	50505-LEA7	50505-LEA7-E00	STOPPER RUBBER	1	
	50505-PUA3	50505-PUA3-B50	STOPPER RUBBER	1	
	50506	50506-KHE7-E00	COLLAR STOPPER RUBBER	1	
	50530	50530-ABD2-C00	BAR SIDE STAND	1	
	50550	50550-KKC2-C00	SPG ASSY MAIN STAND	1	
	90108	90108-KKC4-900	SCREW SIDE STAND PIVOT	1	
	90111	90111-06016-07G	BOLT FLANGE 6*16 (K)	1	
	90304	90304-LEA1-C01	NUT U FLANGE 10MM (G)	2	
	94101	94101-08600	WASHER PLAIN 8MM	2	
	95014	95014-72204-G	"SPG B1,SIDE STAND (G)"	1	
	95801	95801-10030-07G	BOLT FLANGE 10*30 (G)	2	

F16

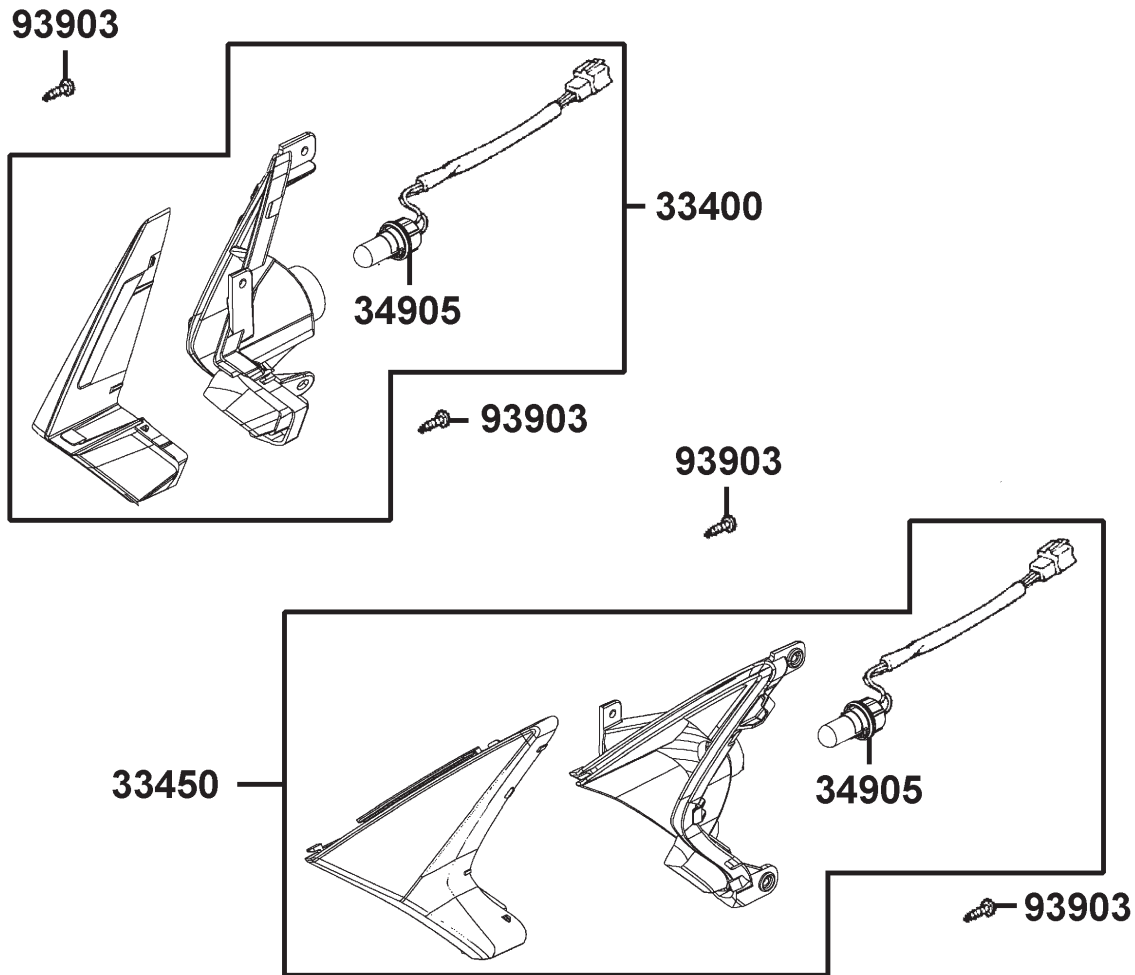
Rear Cushion



Sales mark	Ref no	Part no	Description	Regd no
	11203	11203-LBA2-C00	RUB BUSH L CASE	1
	52000	52000-ABD2-C00	FORK ASSY RR	1
**	52400	52400-ABD2-E00	CUSHION ASSY REAR	1
	90304	90304-PUA3-B50	NUT U 10MM (C)	2
	91255-LGE5	91255-LGE5-C00	OIL SEAL 30X48X7	1
	91255-LLB1	91255-LLB1-C00	OIL SEAL 30*40*7	1
	94520	94520-47000	CIR CLIP IN 47	1
	95801-08050	95801-08050-07G	BOLT FLANGE 8*50(G)	1
	95801-08055	95801-08055-07G	BOLT FLANGE 8*55	2
	95801-10040	95801-10040-08G	BOLT FLANGE 10*40	1
	96150	96150-62040-10	BEARING BALL RADIAL 6204	1

F17

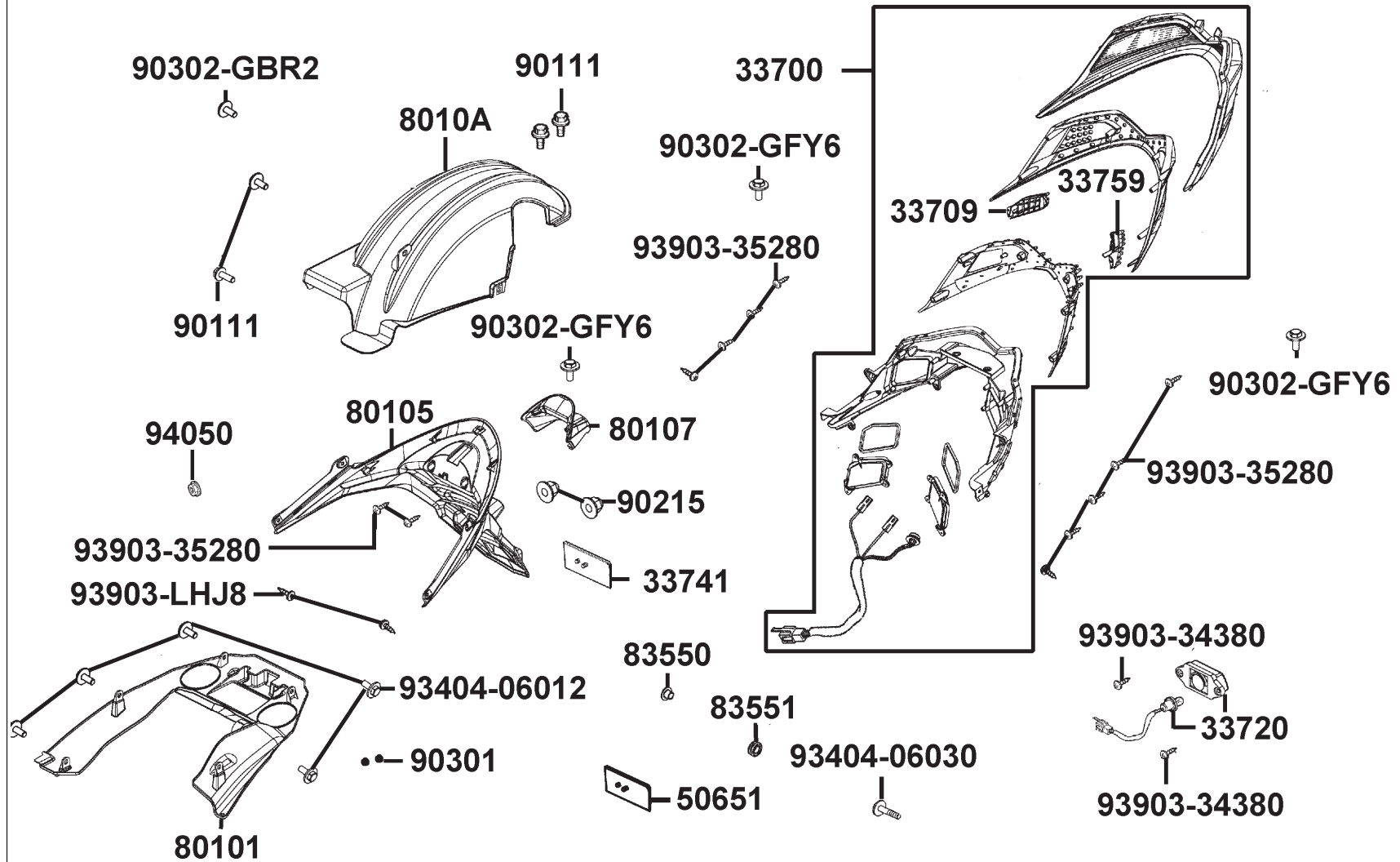
Front Winker



Sales mark	Ref no	Part no	Description	Reg description	Regd no	F17
	33400	33400-ABD2-C00	"WINKER ASSY..RH FR"	"WINKER ASSY..RH FR"	1	
	33450	33450-ABD2-C00	"WINKER ASSY..LH FR."	"WINKER ASSY..LH FR."	1	
	34905	34905-LBA7-E00	BULB WINKER	BULB WINKER	2	
	93903	93903-35280-G	SCREW TAPPING 5*12 (KG)	SCREW TAPPING 5*12 (KG)	6	

F18

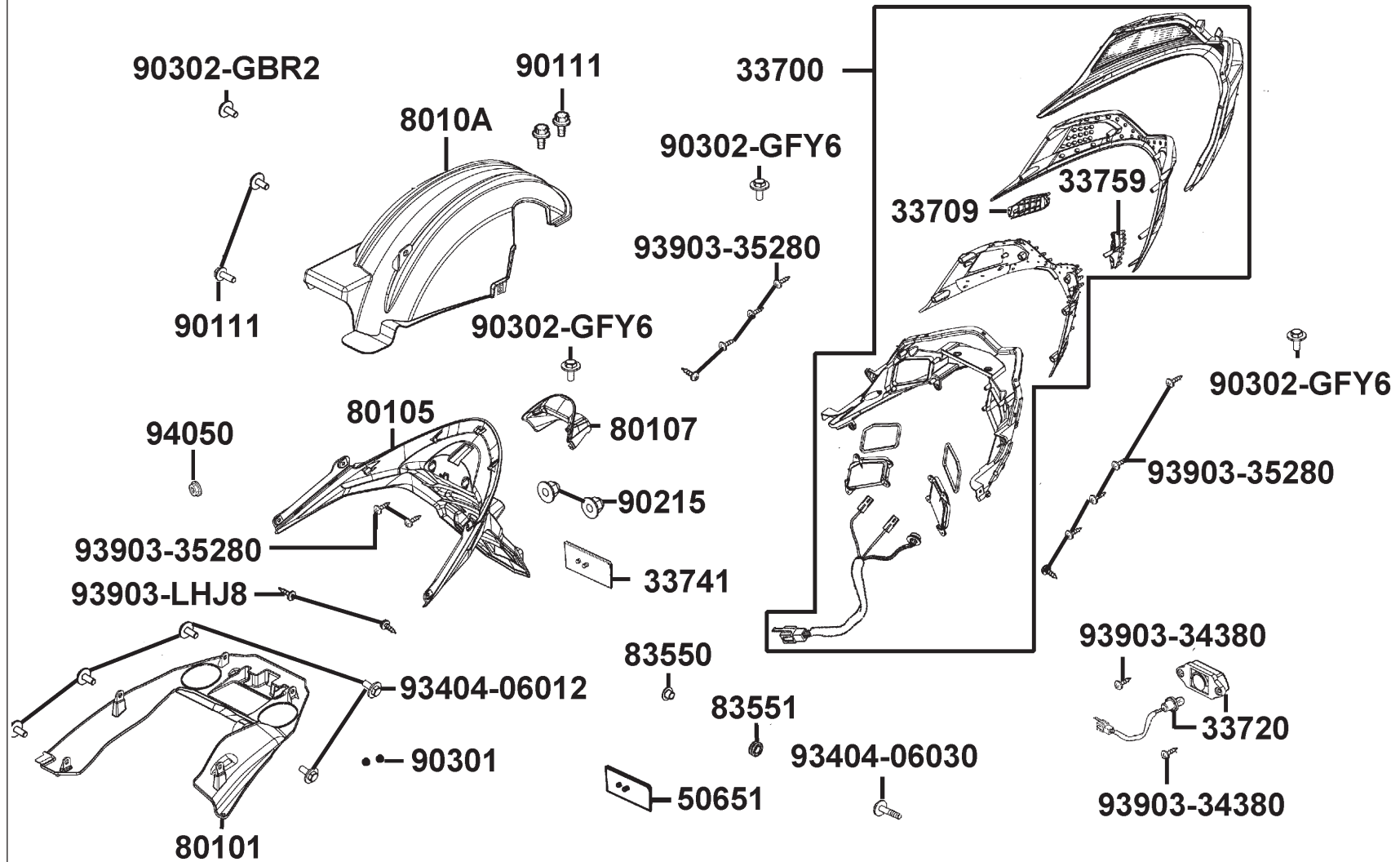
Tail Light



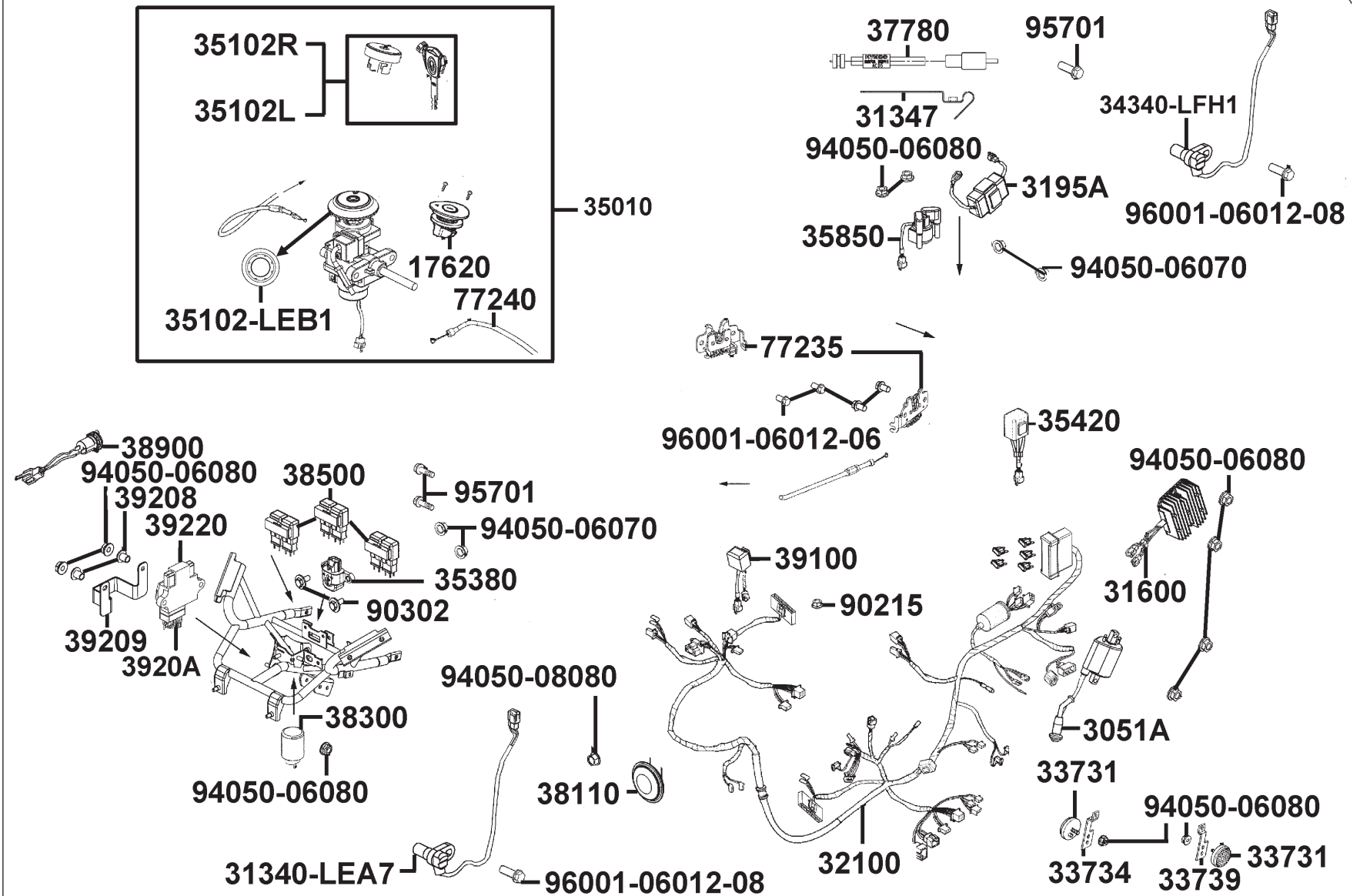
Sales mark	Ref no	Part no	Description	Regd no
	33700	33700-ABD2-C00	LIGHT ASS'Y.,RR. COMB.	1
	33709	33709-ABD2-C00	PCB TAIL LIGHT	1
	33720	33720-LGB5-E10	LIGHT ASSY LICENSE	1
	33741	33741-LEH3-EZ0	REFLEX REFLECTOR	1
	33759	33759-ABD2-C00	LED PCB RR L	1
	50651	50651-LFC4-E10	STAY RR FENDER BALANCE	1
**	80101	80101-ABD2-C00	"FENDER.RR INNER"	1
**	80105	80105-ABD2-C00	"FENDER. REAR"	1
**	80107	80107-ABD2-C00	COVER LICENSE LIGHT	1
**	8010A	8010A-ABD2-C00	FENDER ASSY RR	1
	83550	83550-KEC8-C00	COLLAR SET METER	1
	83551	83551-KEC8-C10	GROMMET COVER	1
	90111	90111-06016-07G	BOLT FLANGE 6*16 (K)	4
	90215	90215-KKC4-C00	NUT CAP 6MM	2
	90301	90301-6D34-C01	NUT FLANGE 6MM(C)	2
	90302-GBR2	90302-GBR2-C01	BOLT-WASH 5*16	1
	90302-GFY6	90302-GFY6-C11	BOLT-WASH 5*16	3
	93404-06012	93404-06012-07G	BOLT WASHER 6*12 (K)	5
	93404-06030	93404-06016-08G	BOLT WASHER 6*16	1
	93903-34380	93903-34380-G	SCREW TAPPING 4x12	2

F18

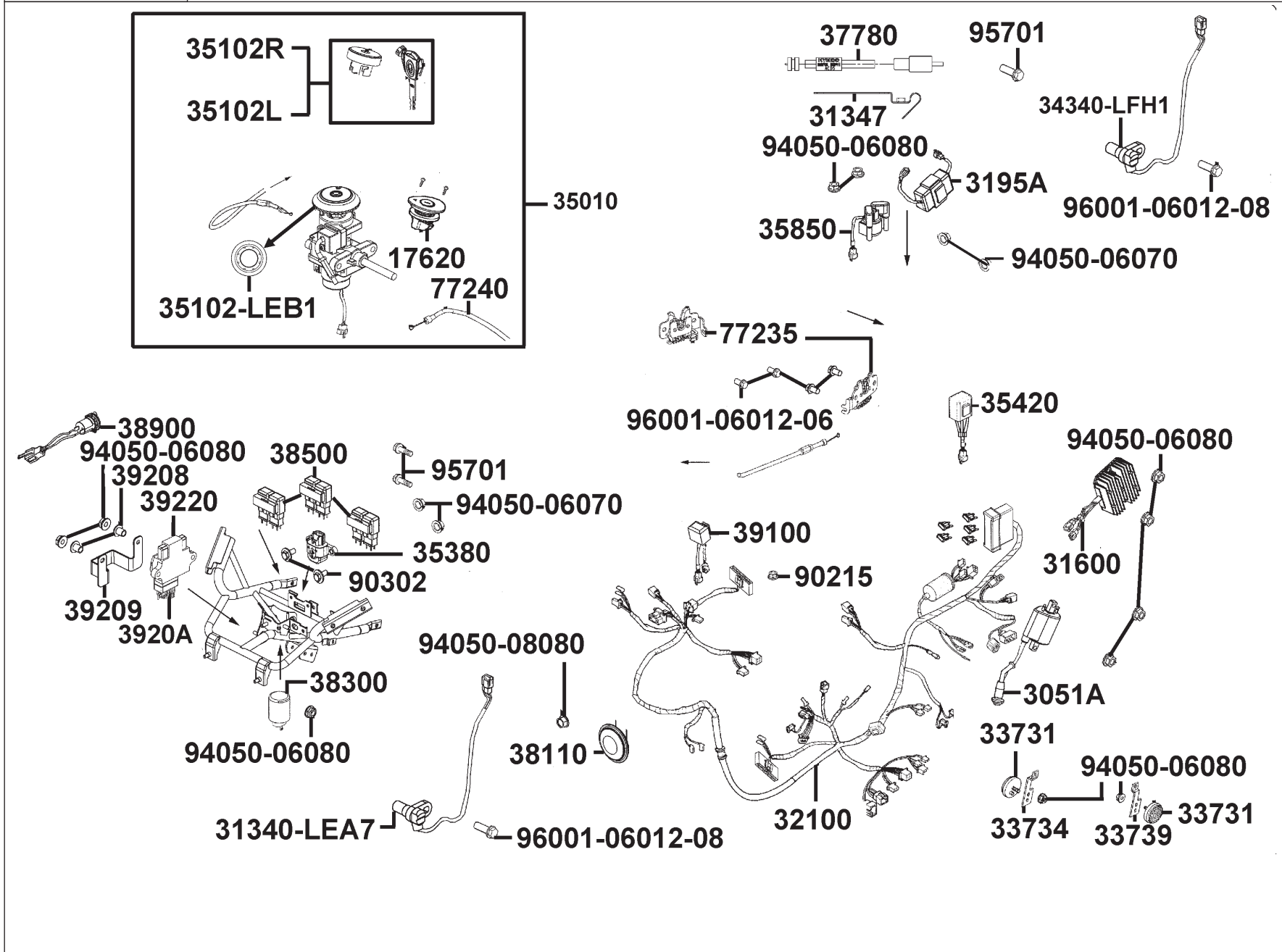
Tail Light



Sales mark	Ref no	Part no	Description	Regd no	F18
	93903-35280	93903-35280-G	SCREW TAPPING 5*12 (K)	11	
	93903-LHJ8	93903-LHJ8-C01	SCREW, TAPPING 5X14	2	
	94050	94050-05080-G	NUT FLANGE 5MM	1	



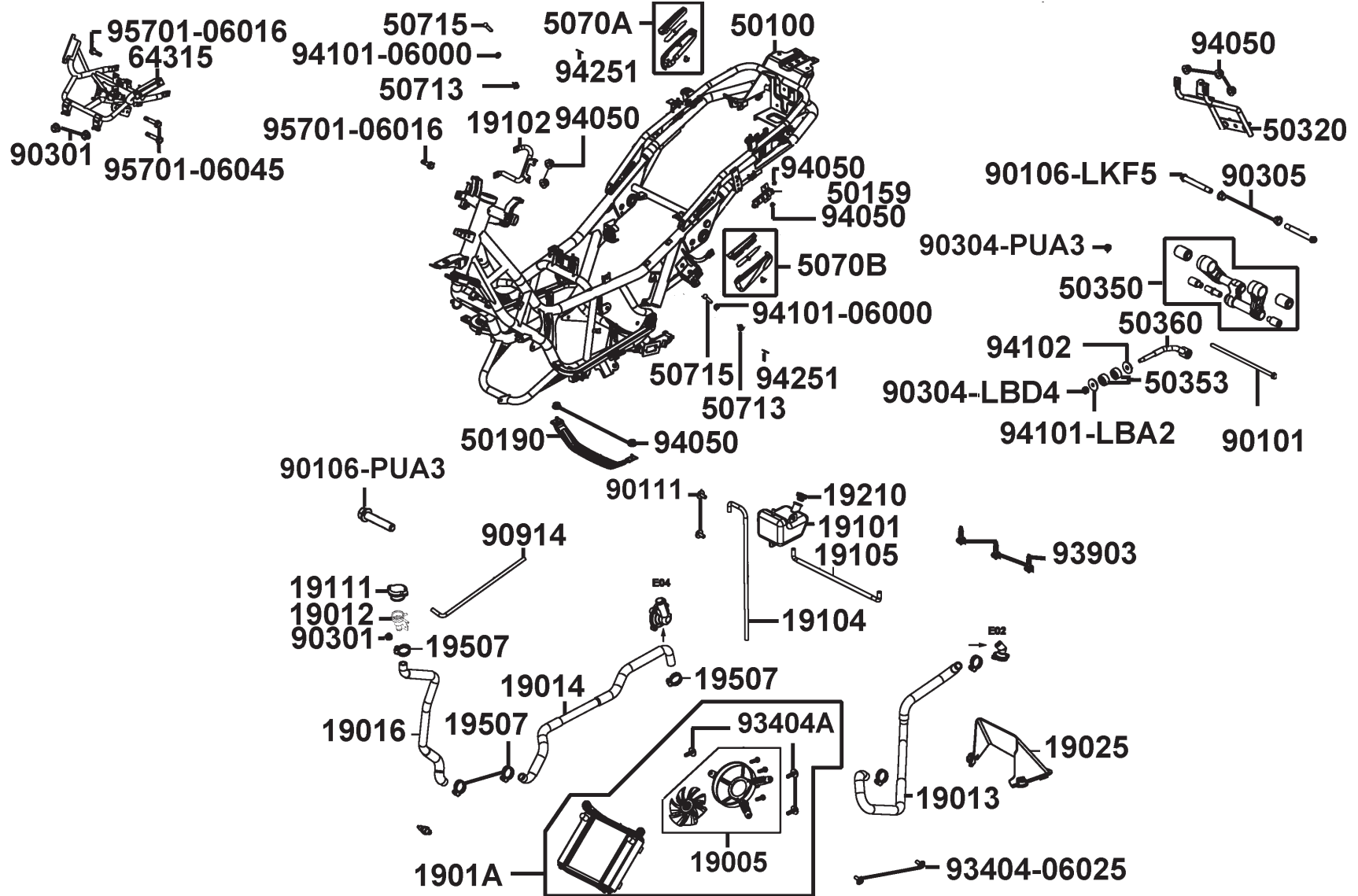
Sales mark	Ref no	Part no	Description	Regd no
	17620	17620-ACJ2-BJ0	CAP COMP FUEL FILLER	1
	3051A	3051A-LKF5-E01	COIL ASSY IGN	1
	31340-LEA7	31340-LEA7-E00	SENSOR FR WHEEL SPEED	1
	34340-LFH1	31340-LFH1-E00	SENSOR RR WHEEL SPEED	1
	31347	31347-ABD2-C00	CLAMPER. SPEED SENSOR	1
	31600	31600-ABD2-C00	REG REC COMP	1
	3195A	3195A-ABD2-C00	HAZARD CONTROL ASSY	1
	32100	32100-ABD2-E00	HARNES WIRE	1
	33731	33731-GFY6-EZ0	REFLEX REFLECTOR SIDE	1
	33734	33734-ABD2-C00	STAY RH.REFELX REFLECTOR	1
	33739	33739-ABD2-C00	STAY LH. REFELX REFLECTOR	1
	35010	35010-ACJ2-BJ0	KEY SET	1
	35102L	35102-ABD2-C00-L	SHUTTER MAGNETIC LOCK	1
	35102R	35102-ABD2-C00-R	SHUTTER MAGNETIC LOCK	1
	35102-LEB1	35102-LEB1-90A	COLLAR MAIN SW	1
	35380	35380-ABE1-C00	SENSOR ANGLE	1
	35420	35420-LFH1-E00	CONTROLLER OIL LAMP	1
	35850	35850-LCA3-B50	SET START MAG	1
	37780	37780-ACD5-E00	SENSOR ASSY. ROOM TEMP	1
	38110	38110-KFAF-90B	HORN COMP	1



Sales mark	Ref no	Part no	Description	Regd no	F19
	38300	38300-ALH1-E60	RELAY ASSY WINKERF	1	
	38500	38500-AAD2-C00	RELAY ASSY LIGHT	3	
	38900	38900-ACD5-E00	CONTROLLER USB CHARGER	1	
	39100	39100-ABD6-C00	EMI FILTER FAN MOTOR	1	
	39208	39208-ABD2-C00	COLLAR ECU	2	
	39209	39209-ABD2-C00	STAY ECU	1	
	3920A	3920A-ACJ2-B90	ASSY ECU	1	
	39220	39220-LKG2-C00	CUSHION ECU	1	
	77235	77235-ZZA6-C00	SEAT CATCH COMP	1	
	77240	77240-ABD2-C00	CABLE ASSY.. SEAT LOCK	1	
	90215	90215-KKC4-C00	NUT CAP 6MM	1	
	90302	90302-GFY6-C11	BOLT-WASH 5*16	2	
	94050-06070	94050-06070-G	NUT FLANGE 6MM (KG)	8	
	94050-06080	94050-06080-G	NUT FLANGE 6MM	9	
	94050-08080	94050-08080-G	NUT FLANGE 8MM	1	
	95701	95701-KEC8-E01	BOLT FLANGE 8*19	2	
	96001-06012-06	96001-06012-07G	BOLT FLANGE 6*12(G)	2	
	96001-06012-08	96001-06012-08G	BOLT FLANGE SH 6x12 (C)	1	

F20

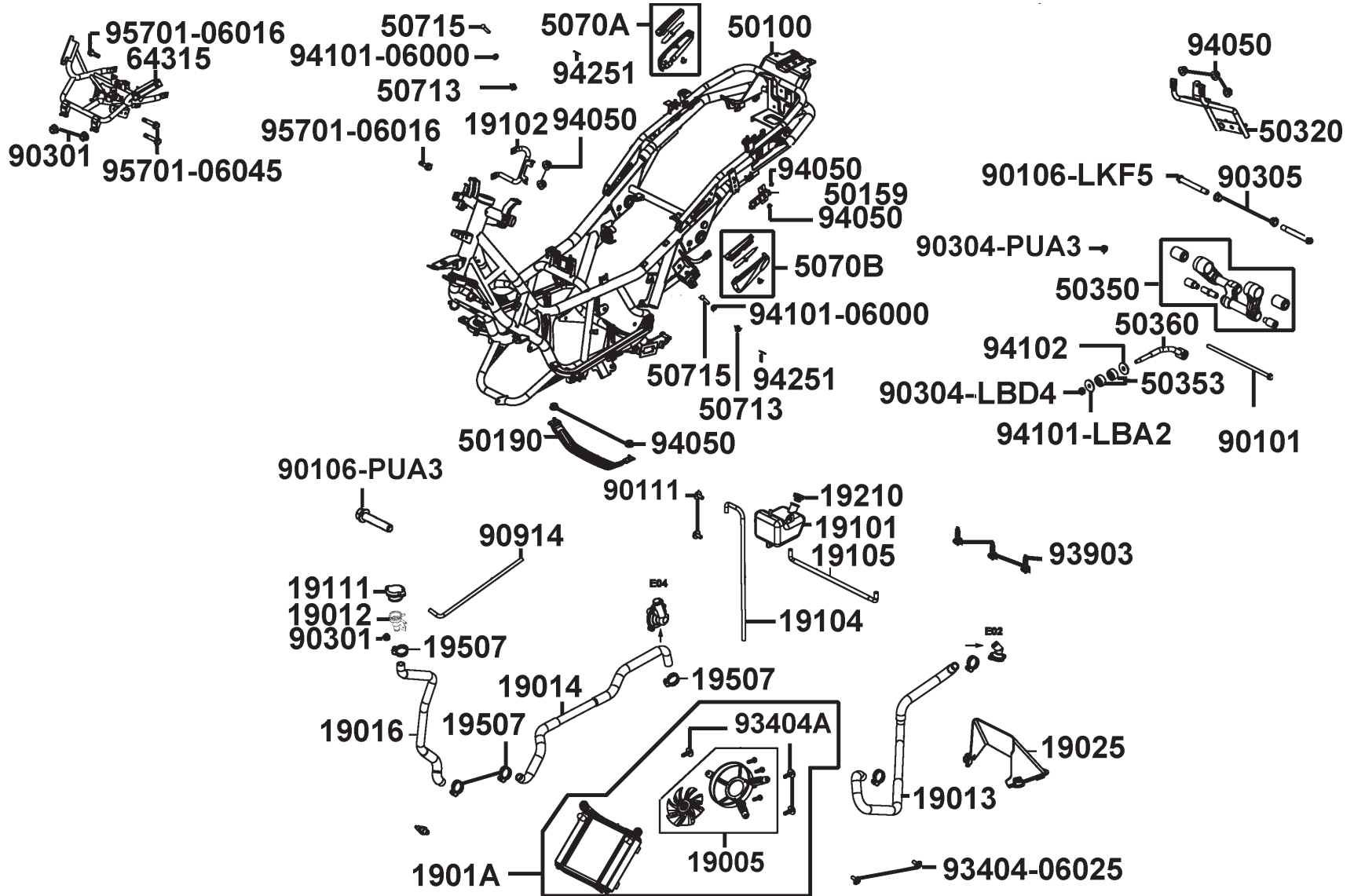
Frame Body



Sales mark	Ref no	Part no	Description	Regd no
	19005	19005-ABD2-C00	SHROUD ASSY	1
	19012	19012-KHD8-C00	UNIT RADIATOR	1
	19013	19013-ABD2-C00	"HOSE WATER. INLET"	1
	19014	19014-ABD2-C00	"HOSE WATER. OUTLET"	1
	19016	19016-LEA7-C00	"HOSE.WATER UNIT CAP"	1
	1901A	1901A-ABD2-C00	RADIATOR ASSY.	1
**	19025	19025-ABD2-C01	COVER,RADIATOR	1
	19101	19101-ABD2-C00	"TANK. RESERVE"	1
	19102	19102-ABD2-C00	"STAY. TANK REVERSE"	1
	19104	19104-ABD2-C00	HOSE ASSY DRAIN	1
	19105	19105-ABD2-C00	"HOSE ASSY.RESERVE TANK-	1
	19111	19111-PRB3-C00	SUPT FILLER NECK	1
	19210	19210-ABD6-C00	CAP RESERVE TANK	1
	19507	19507-ABD6-C00	"CLAMP. D28"	6
	50100	50100-ABD2-C00	"BODY COMP.. FRAME"	1
	50159	50159-ABD2-C00	"STAY. REG REC"	1
	50190	50190-LEA7-C00	"PROTECTOR,UNDER COVER"	1
	50320	50320-ABD2-C00	"STAY. RR FENDER"	1
	50350	50350-ABD2-C01	ENG HANGER COMP	1
	50353	50353-LEA7-E00	RUBBER STOPPER	2

F20

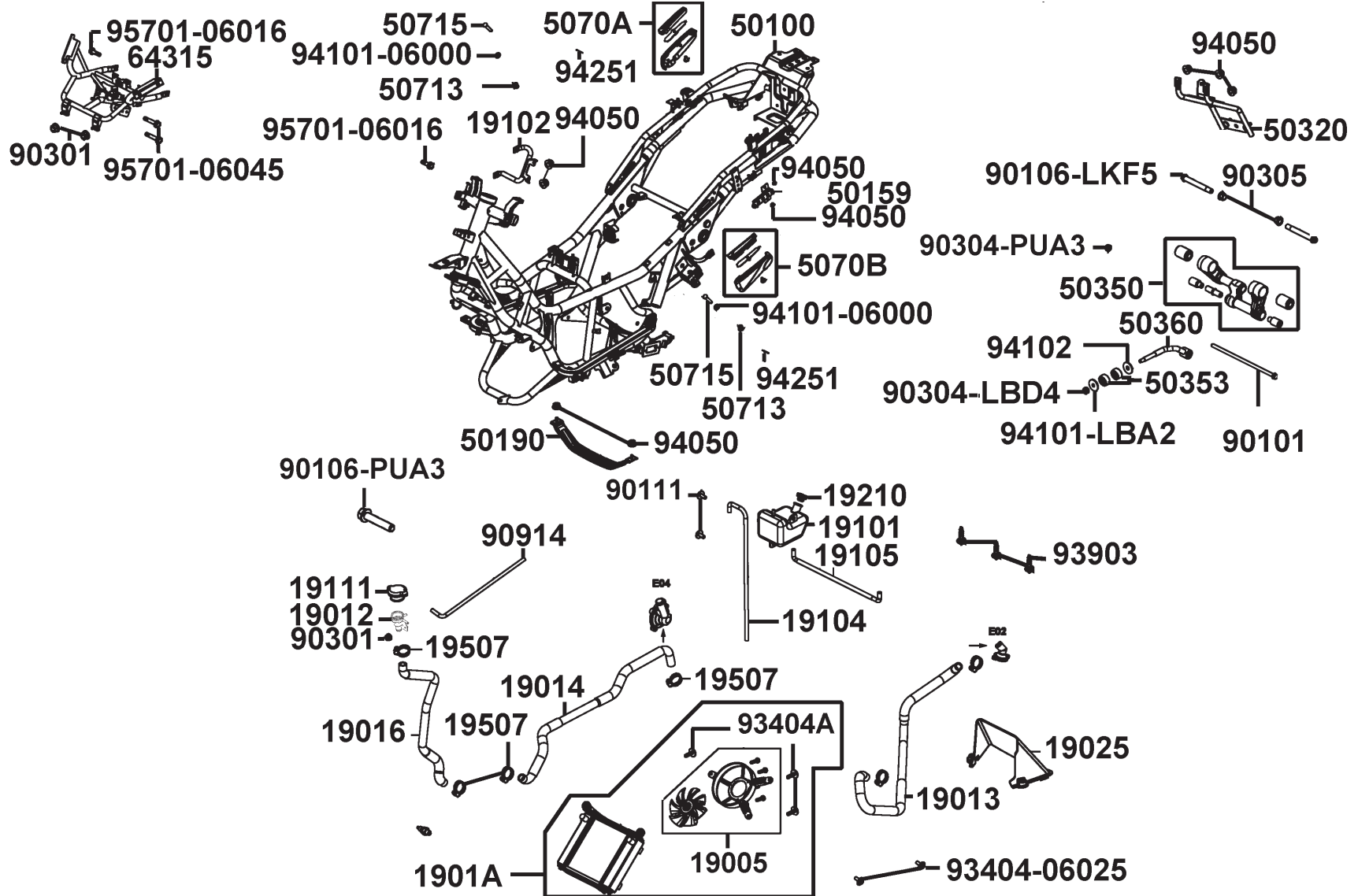
Frame Body



Sales mark	Ref no	Part no	Description	Regd no
	50360	50360-ABD2-C01	TIE-ROD ASSY, ENG HANGER	1
**	5070A	5070A-ALD9-E10	BAR ASSY R	1
**	5070B	5070B-ALD9-E10	BAR ASSY L	1
	50713	50713-KEB7-C00	SPRING	1
	50715	50715-KEB7-C00	PIN RR STEP	2
	64315	64315-ABD2-C00	"BRKT.. FR. COVER"	1
	90101	90101-LKF5-C01	SCREW FLAT 10*275	1
	90106-LKF5	90106-LKF5-C01	DAMPING ENG HANGER	2
	90106-PUA3	90106-PUA3-B50	BOLT FLANGE 10*50	1
	90111	90111-06016-07G	BOLT FLANGE 6*16 (K)	4
	90301	90301-6D34-C01	NUT FLANGE 6MM(C)	2
	90304-LBD4	90304-LBD4-C01	NUT U FLANGE 10MM	1
	90304-PUA3	90304-PUA3-B50	NUT U 10MM (C)	1
	90305	90305-MAA1-C01	U NUT FLANGE 14MM	1
	90914	90914-ABD2-C00	"TUBE ASSY. WATER"	1
	93404A	93404-06016-06	BOLT WASHER 6*16	3
	93404-06025	93404-06025-07G	BOLT WASHER 6*25 (G)	2
	93903	93903-35280-G	SCREW TAPPING 5*12 (K)	3
	94050	94050-06000-G	NUT FLANGE 6MM (KG)	9
	94101-06000	94101-06000-G	WASHER PLAIN 6.5*18*1	4

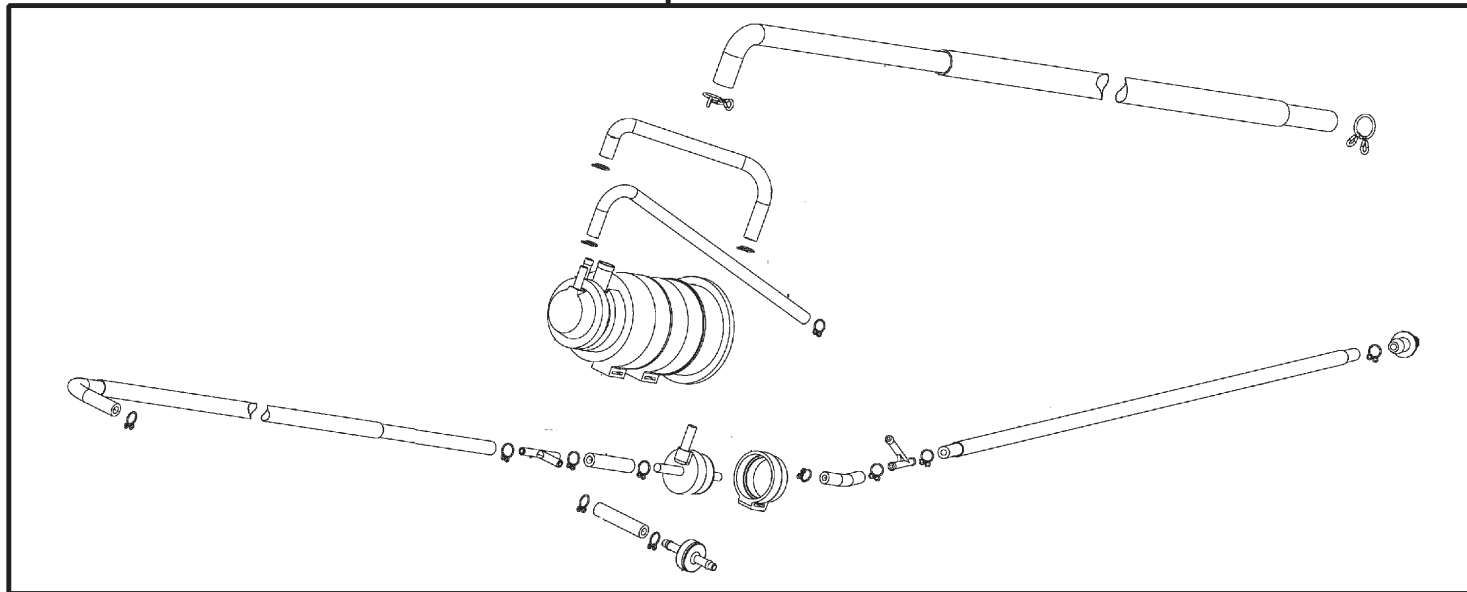
F20

Frame Body



Sales mark	Ref no	Part no	Description	Regd no	F20
	94101-LBA2	94101-LBA2-C01	WASHER PLAIN 10.5*38*3	1	
	94102	94102-LBA2-E00	WASHER PLAIN 38*12.5*3	1	
	94251	94251-08400-G	PIN LOCK 8MM	2	
	95701-06016	95701-06016-07G	BOLT FLANGE SH 6*16 (KG)	1	
	95701-06045	95701-06045-07G	BOLT FLANGE 6*45(G)	2	

17300



Sales mark	Ref no	Part no	Description	Regd no
	17300	17300-ABD2-C00	CANISTER-PCV ASSY	1

F21



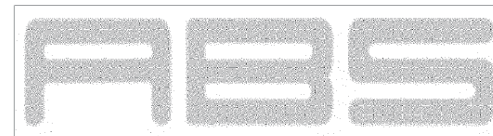
86020



86561



86571



87311



87206



56051-0024



56051-0025

Sales mark	Ref no	Part no	Description	Regd no
**	86020	86020-ACJ2-BJ0	EMB DMA STRIDER	1
**	86561	86561-ACJ1-E30	STRIPE R FR FENDER TYPE A	1
**	86571	86571-ACJ1-E30	STRIPE L FR FENDER TYPE A	1
**	56051	56051-0024	MARK VITRO-ELEGEN EX	1
**	56051	56051-0025	MARK VITRO-250	1
**	87206	87206-ACJ2-BJ0	MARK KYMCO	1
**	87311	87311-ABD2-C00	STRIPE MARK ABS	1

PART NO. INDEX

PART NO.	VERSION	PAGE	PART NO.	VERSION	PAGE	PART NO.	VERSION	PAGE
0000			11203-LBA2-C00	0	F16			
			1121A-ABD2-C00	0	F13	13000		
			1122A-ABD2-C00	0	E08			
0901-880-6000	1	E05	11331-LLJ3-C00	0	E04	13000-KHE7-C00	0	E03
0901-911-6000	1	E05	11341-ABD2-C00	0	E01	13011-LFG2-C00	0	E03
0901-914-6001	1	E05	11342-LDF2-C00	0	E01	13101-LHG7-C00	0	E03
			11345-LEA7-C00	1	E01	13111-LDB2-C00	0	E03
1000			11346-GFY6-C00	1	E01	13406-ABD2-C00	0	E02
			11350-LHG7-C00	0	E01			
1090-873-2001	1	E05	11387-ABD2-C00	0	E02	14000		
1190-C74-2000	1	E05	11394-KHE7-980	0	E04			
1190-C75-2000	1	E05	11395-LLJ3-C00	0	E01	14100-ABD2-900	0	E02
1614-868-0000-S	0	E05				14401-KHE7-90A	0	E03
1614-906-0002	1	E05	12000			1443A-ABD2-C00	0	E02
						14450-KEBE-900	0	E02
3000			12100-KHE7-C00	1	E03	14452-LDB2-E00	0	E02
			12191-KHE7-910	0	E03	14510-KHE7-900	0	E03
3700-A35B-0110	0	E05	12200-ABD2-C00	0	E02	14520-GFY6-90C	2	E03
			12209-GDB4-C00	2	E02	14523-KED9-C00	1	E03
11000			1221A-ABD2-C00	0	E02	14531-KHE7-900	1	E03
			12251-KHE7-901	0	E02	14610-KHE7-900	0	E03
11100-LDB2-C00	0	E01	1231A-LDE9-C00	0	E02	14711-LFG2-C00	0	E02
11110-LLJ3-C00	0	E01	12361-LHD1-C00	0	E04	14721-LFG2-C00	0	E02
11192-KHE7-980	0	E01				14751-ABD2-C00	0	E02
11200-ABD2-C00	0	E01				14761-ABD2-C00	0	E02
11203-LBA2-C00	0	E01				14771-GDB4-C00	2	E02

PART NO. INDEX

PART NO.	VERSION	PAGE	PART NO.	VERSION	PAGE	PART NO.	VERSION	PAGE
14775-MFA6-C00	5	E02	17214-ABD2-C00	0	F13	1830A-ACJ2-B90	0	F14
14781-MFA6-C00	4	E02	1721A-ABD2-C00	0	F13	18310-ACJ2-B90	0	F14
			1723A-ACJ2-BJ0	0	F13	18318-ACD5-E00	1	F14
15000			1723B-ABD2-C00	0	F13	18325-ABD2-C00-HJS	0	F14
			17300-ABD2-C00	0	F21	1832A-ACJ2-B90	0	F14
15100-KKC3-C00	0	E07	17370-4K19-C00	0	F13	18371-ABD2-C00	0	F14
15133-KAM1-C00	0	E07	17371-1D74-671	0	F13	18391-LDB2-C00	0	F14
15141-KKJ9-C00	0	E07	17500-ABD2-C00	0	F10			
15421-1G07-C00	1	E04	17511-ABD2-C00	0	F10	19000		
15426-GAE1-C00	1	E04	17512-ABD2-C00	0	F10			
15441-1K49-001	0	E03	17550-LEA7-800	0	F10	19005-ABD2-C00	0	F20
15447-1K49-C00	0	E03	17561-LHG8-E00	0	F10	19012-KHD8-C00	0	F20
15651-KEBE-C00	0	E04	17561-LKB9-900	1	F10	19013-ABD2-C00	0	F20
15711-KHE7-C00	0	E07	17581-LEA7-C00	0	F10	19014-ABD2-C00	0	F20
			17620-ACJ2-BJ0	0	F19	19016-LEA7-C00	0	F20
16000			17620-ACJ2-BJ0	0	F10	1901A-ABD2-C00	0	F20
			17685-ABD2-C00	0	F10	19025-ABD2-C01	0	F20
1610K-LHG7-900	0	E05	17910-LEA7-C00	0	F03	19101-ABD2-C00	0	F20
16201-LHG7-C00	0	E02	17911-LEA7-C00	0	F03	19102-ABD2-C00	0	F20
16211-LDF2-C00	0	E02	18000			19104-ABD2-C00	0	F20
			18291-LHB3-E11	0	F14	19105-ABD2-C00	0	F20
17000			18291-LKG2-C00	0	F14	19111-PRB3-C00	0	F20
			18293-KEBE-C00	1	F14	19210-ABD6-C00	0	F20
1711A-LDF2-C00	0	E02	18294-KTCT-C00	0	F14	19215-KHE7-C00	0	E04
17200-ACJ2-C00	1	F13	18294-PUA3-B50	1	F14	19217-ZPA3-E00	0	E04
17211-ABD2-C00	0	F13				19229-LBA7-C00	0	E04

PART NO. INDEX

PART NO.	VERSION	PAGE	PART NO.	VERSION	PAGE	PART NO.	VERSION	PAGE
1922A-KHE7-C00	0	E04	22361-LEA7-C00	1	E06	28110-LDB2-C00	0	E07
19231-KKJ9-C00	0	E04	22401-LFG2-C00	1	E06	28120-LDB2-C00	0	E07
19300-KAE1-004	0	E02	22530-KHE7-C00	0	E06			
19310-ABD2-E00	0	E02	22804-GBB2-C00	0	E06	30000		
19315-LHG7-E00	0	E02						
19411-LFG2-C00	0	F06	23000			3051A-LKF5-E01	0	F19
19502-KHE7-C00	0	E04						
19507-ABD6-C00	0	E04	2301A-LFG2-C00	1	E06	31000		
19507-ABD6-C00	0	F20	23100-LFG2-C0A	0	E06			
21000			23200-KHE7-C00	1	E06	31100-ABD2-C00	0	E07
			23220-LFG2-C00	1	E06	31110-ABD2-C00	0	E07
			23225-KHE7-C00	1	E06	31120-ABD2-C00	0	E07
21200-LDB2-C00	0	E08	23226-GHC8-C00	1	E06	31200-ABD2-C00	0	E07
21395-LDF2-900	0	E08	23233-KHE7-C00	1	E06	31340-LEA7-E00	3	F19
22000			23237-KHE7-C00	1	E06	31340-LFH1-E00	1	F19
			23238-KHE7-C00	1	E06	31347-ABD2-C00	0	F19
			23411-ABD2-C00	0	E08	31500-KHE7-EZ0	1	F11
22101-LBA7-C00	1	E06	23420-ABD2-C00	0	E08	31600-ABD2-C00	1	F19
22102-KHE7-C00	0	E06	23430-LDB2-C00	0	E08	3195A-ABD2-C00	0	F19
22105-LBA7-C00	0	E06	23432-ABD2-C00	0	E08			
22110-LFG1-C00	0	E06				32000		
22121-LFG2-315	0	E06						
22131-LBA7-C00	0	E06	28000			32100-ABD2-E00	0	F19
22132-KHE7-305	0	E06				32105-LLJ3-C00	0	E04
22300-LFG2-C00	0	E06	28101-KHE7-C00	0	E07	32411-ABD2-C00	0	F11
22350-KHE7-C00	1	E06	28102-KHE7-C00	1	E07	32412-ABD2-C00	0	E04

10 Aug 2020

PART NO. INDEX

PART NO.	VERSION	PAGE	PART NO.	VERSION	PAGE	PART NO.	VERSION	PAGE
33000			35370-LLJ3-E00	3	F15	3920A-ACJ2-B90	0	F19
33100-ABD2-EZ5	0	F01	35380-ABE1-C00	0	F19	39220-LKG2-C00	0	F19
33400-ABD2-C00	0	F17	35390-LHG7-E00	4	F12	39300-LHG7-E00	0	E02
33450-ABD2-C00	0	F17	35420-LFH1-E00	0	F19	39301-LDF2-C00	0	E02
33700-ABD2-C00	0	F18	35500-KED9-900	6	E04	39400-LDF2-800	2	E02
33709-ABD2-C00	0	F18	35850-LCA3-B50	0	F19	39450-LEA6-800	2	F14
33720-LGB5-E10	1	F18						
33731-GFY6-EZ0	0	F19	37000			42000		
33734-ABD2-C00	0	F19	37200-ACJ2-BJ2	0	F02	42311-ABD2-C00	0	F08
33739-ABD2-C00	0	F19	37211-ABD2-C00	0	F02	42312-LEA7-C00	0	F08
33741-LEH3-EZ0	1	F18	37236-ABD2-E00	0	F02	42601-ABD2-E30	0	F08
33759-ABD2-C00	0	F18	37780-ACD5-E00	1	F19	42710-ABD2-C00	0	F08
33900-LHG7-E00	0	F12						
34000			38000			43000		
34905-LBA7-E00	0	F17	38110-KFAF-90B	2	F19	43100-LGE5-C01	0	F04
35000			38300-ALH1-E60	0	F19	43105-LGE5-406	0	F04
35010-ACJ2-BJ0	0	F19	38500-AAD2-C00	5	F19	43109-MCA3-C00	0	F04
35102-ABD2-C00-L	0	F19	38900-ACD5-E00	7	F19	43126-ABD2-C01	0	F04
35102-ABD2-C00-R	0	F19				43127-ABD2-C01	0	F04
35102-LEB1-90A	0	F19	39000			43156-LDB2-C00	0	F04
3515A-ACJ1-E00	1	F03	39100-ABD6-C00	0	F19	43156-LFC3-E10	2	F04
3520A-ABD2-C00	0	F03	39208-ABD2-C00	0	F19	43210-LGE5-C00	0	F04
35340-AEF6-C00	0	F04	39209-ABD2-C00	0	F19	43351-ABD2-C00	0	F08
35350-AEF6-C00	0	F04				43352-KKD6-C00	0	F04

PART NO. INDEX

PART NO.	VERSION	PAGE	PART NO.	VERSION	PAGE	PART NO.	VERSION	PAGE
43352-LEA7-E01	0	F08	45127-ABD2-C01	0	F04	50159-ABD2-C00	0	F20
43353-4A61-C00	0	F04	45128-ABD2-C00	0	F06	50190-LEA7-C00	0	F20
43353-KED9-C00	0	F04	45130-LGE5-C00	0	F04	50306-1F96-C00	1	F06
4335A-LBA2-C01	0	F04	45131-LGE5-C00	0	F04	50320-ABD2-C00	0	F20
43500-LKG5-C00	0	F04	45134-KED9-C00	0	F04	50326-ABD2-C00	0	F11
			45200-LKG7-C01	0	F04	50327-ABD2-C01	0	F11
44000			45203-KED9-C00	0	F04	5032B-ABD2-C01	0	F11
			45207-LGE5-C00	0	F04	50350-ABD2-C01	0	F20
44301-LEA7-E00	0	F07	45209-GBE2-C00	0	F04	50353-LEA7-E00	0	F20
44311-LEA7-C00	0	F07	45209-KED9-C00	0	F04	50360-ABD2-C01	1	F20
44312-LEA7-C00	0	F07	45210-LKG7-C00	0	F04	50410-ABD2-C01	0	F11
44601-ABD2-E30	0	F07	45352-ABD2-900	0	F07	50500-ABD2-C00	0	F15
44620-LEA7-C00	0	F07	45500-LKG7-C00	0	F04	50502-LDF7-C00	1	F15
44710-ABD2-C00	0	F07	45513-LEA7-C00	0	F04	50504-ACJ2-C00	0	E01
			45517-LBA2-C00	0	F04	50505-LEA7-E00	1	F15
45000			45531-KED9-C00	0	F04	50505-PUA3-B50	2	F15
						50506-KHE7-E00	0	F15
45105-LGE5-305	0	F04	49000			50530-ABD2-C00	0	F15
45107-KED9-C00	0	F04				50550-KKC2-C00	0	F15
45107-LGE5-C00	0	F04	49100-ACD5-E01	0	F04	5061A-ABD2-C00	0	F05
45108-LDH1-C00	0	F04	49110-LGE5-C01	0	F04	50651-LFC4-E10	1	F18
45108-LGE5-C00	0	F04	49211-LFH1-C00	0	F04	5070A-ALD9-E10	0	F20
45109-GBE2-C00	0	F04				5070B-ALD9-E10	0	F20
45109-LGE5-C00	0	F04	50000			50713-KEB7-C00	0	F20
45121-ABD2-C00	0	F07				50715-KEB7-C00	0	F20
45126-ABD2-C01	0	F04	50100-ABD2-C00	0	F20			

PART NO. INDEX

PART NO.	VERSION	PAGE	PART NO.	VERSION	PAGE	PART NO.	VERSION	PAGE
51000			53000			56000		
51400-ABD2-E00	0	F06	53100-ABD2-E00	0	F03	56051-0024	0	F22
51401-ABD2-E00	0	F06	53105-LEA7-C00	0	F03	56051-0025	0	F22
51404-LDH1-C00	0	F06	53106-LEA7-C00	0	F03	61000		
51410-LEA7-C00	0	F06	53125-LEA7-C00	1	F03	61100-ABD2-C00	0	F06
51412-LLJ3-C00	0	F06	5312A-ABD2-E00	0	F03	61110-ABD2-C00	0	F05
51416-LDH1-C00	0	F06	53133-3H98-C00	0	F03	64000		
51420-ABD2-C00	0	F06	53134-2C83-C01	1	F03	64220-ABD2-C00	0	F03
51422-KED9-C00	0	F06	53140-LHJ3-900	0	F03	64221-LEA7-C00	0	F03
51427-LDH1-C00	0	F06	53150-LEA6-900	0	F03	64222-LLJ3-C00	0	F06
51427-LLJ3-C00	0	F06	53175-LKF5-C00	0	F04	64223-LEA7-C00	0	F03
51429-ABD2-E00	0	F06	53178-LKF5-C00	0	F04	64224-LEA7-C00	0	F03
51430-LGE5-C00	0	F04	53200-ACD5-C00	0	F06	64225-LEA7-E00	1	F03
51437-LDH1-C00	0	F06	53205-ABD2-C00	0	F03	64226-ACJ2-BJ0	0	F03
51500-ABD2-E00	0	F06	53206-ABD2-C00	0	F03	64301-ABD2-C00	0	F05
51520-ABD2-C00	0	F06	5320A-ABD2-C00	0	F03	64302-ABD2-C00	0	F05
			5320B-ABD2-C01	0	F03	64303-ABD2-C00	0	F05
52000			53213-LBA2-C00	0	F06	64305-ABD2-C00	0	F05
52000-ABD2-C00	0	F16	53213-LEA7-C00	0	F06	64306-ABD2-C00	0	F05
52400-ABD2-E00	0	F16	53214-LBA2-C00	0	F06	64307-ABD2-C00	0	F05
52407-LLB1-C00	0	F04	53220-LBA2-E00	0	F06	64308-ABD2-C00	0	F05
			53240-LEA7-90A	2	F06	64315-ABD2-C00	0	F20
			53250-LEA7-90A	2	F06	6431A-ABD2-C00	0	F05
						64320-ABD2-C00	0	F05
						6433A-ABD2-C00	0	F05

PART NO. INDEX

PART NO.	VERSION	PAGE	PART NO.	VERSION	PAGE	PART NO.	VERSION	PAGE
64340-ABD2-C00	0	F05				83550-KEC8-C00	4	F18
64350-ABD2-C00	0	F05	81000			83551-KEC8-C10	4	F03
64360-ABD2-C00	0	F05				83551-KEC8-C10	4	F06
64400-ABD2-C00	0	F05	81122-ABD2-C00	0	F05	83551-KEC8-C10	4	F18
64401-ABD2-C00	0	F05	81132-ABD2-C00	0	F05	83600-ABD2-C00	0	F12
			81133-ABD2-C00	0	F05	83630-ABD2-C00	0	F05
77000			81134-ABD2-C00	0	F05	83750-ABD2-C00	0	F12
			81136-LEA7-E00	2	F05			
77200-ABD2-C00	0	F09	8113A-ABD2-C00	0	F05	86000		
77235-ZZA6-C00	0	F19	8113B-ABD2-C00	0	F05			
77240-ABD2-C00	0	F19	81144-ALJ8-E10	2	F12	86020-ACJ2-BJ0	0	F22
			81150-ZZA6-E00	0	F05	86561-ACJ1-E30	0	F22
80000			81151-ABD2-C00	0	F05	86561-ACJ1-E30	1	F22
			81200-ABD2-C00	0	F12	86571-ACJ1-E30	0	F22
80101-ABD2-C00	0	F18	81201-ABD2-C00	0	F12	86571-ACJ1-E30	1	F22
80102-ABD2-C00	1	F11	81252-ABD2-C00	0	F12			
80105-ABD2-C00	0	F18	81260-ABD2-C00	0	F12			
80107-ABD2-C00	0	F18						
8010A-ABD2-C00	0	F18	83000			87000		
80151-ABD2-C00	0	F05						
80152-ABD2-C00	0	F05	83500-ABD2-C00	0	F12	87206-ACJ2-BJ0	0	F22
80153-ABD2-C00	0	F05	83530-ABD2-C00	0	F05	87311-ABD2-C00	0	F22
8015A-ABD2-C00	0	F05	83532-ABD2-C00	0	F05			
			83534-ABD2-C00	0	F05			
			83550-ABD2-C00	0	F03			
			83550-KEC8-C00	4	F06			

PART NO. INDEX

PART NO.	VERSION	PAGE	PART NO.	VERSION	PAGE	PART NO.	VERSION	PAGE			
88000	0	F03	90106-LKF5-C01	0	F20	90215-KKC4-C00	1	F19			
			90106-PUA3-B50	0	F03	90301-6C93-C01	1	F09			
			90106-PUA3-B50	0	F20	90301-6C93-C01	1	F12			
			88110-ACJ2-BJ0	0	F03	90107-LEA7-C01	1	F03	90301-6D34-C01	1	F10
			88120-ACJ2-BJ0	0	F03	90107-LEA7-C01	1	F06	90301-6D34-C01	1	F18
						90108-KKC4-900	0	F15	90301-6D34-C01	1	F20
						90111-06016-07G	0	F03	90301-GFY6-C01	0	F14
						90111-06016-07G	0	F05	90302-GBR2-C01	1	F18
						90111-06016-07G	0	F12	90302-GFY6-C11	1	F11
						90111-06016-07G	0	F15	90302-GFY6-C11	1	F18
90000	0	E03	90111-06016-07G	0	F18	90302-GFY6-C11	1	F19			
			90111-06016-07G	0	F20	90302-LKB9-C00	0	F03			
			90113-KKA8-C00	0	F04	90302-LKB9-C00	0	F05			
			90001-GBHB-C05	0	E03	90113-LGE5-C01	0	F04	90302-LKB9-C00	0	F12
			90001-GBHB-C05	0	E07	90114-GDM4-C01	1	F13	90302-LLB1-C01	1	F04
			90005-KAW1-C00	0	E03	90114-LGE5-C01	0	F04	90302-PUA3-B51	1	F03
			9000A-KTDT-C03	0	E01	90116-KEC8-C00	0	F06	90302-SDA4-C01	0	F12
			90031-KHD6-C01	0	E01	90122-LEA7-C01	0	F07	90304-LBD4-C01	1	F20
			90032-KHD6-C01	1	E01	90122-LEA7-C01	0	F08	90304-LEA1-C01	1	F15
			90084-4H28-C00	0	E04	90145-LFH1-E00	1	F04	90304-PUA3-B50	0	F03
9008A-KHE7-C00	0	E04	90145-MKS9-C00	0	F04	90304-PUA3-B50	0	F16			
90101-LKF5-C01	0	F20	90201-KHE7-C01	0	E06	90304-PUA3-B50	0	F20			
90104-LEA7-C01	0	F03	90201-KHR8-C01	1	E06	90305-KKAK-C00	0	F08			
90105-KCR3-C02	1	F07	90201-KHR8-C01	1	E07	90305-LBA2-C00	0	F03			
90105-KCR3-C02	1	F08	90202-1G87-C00	1	E06	90305-LBA2-C00	0	F06			
90106-KFC2-900	2	F12	90215-KKC4-C00	1	F18	90305-MAA1-C01	0	F20			

PART NO. INDEX

PART NO.	VERSION	PAGE	PART NO.	VERSION	PAGE	PART NO.	VERSION	PAGE	
90312-LLJ3-C00	0	F06	90914-ABD2-C00	0	F20	92000			
90401-KKJ9-001	0	E06							
90401-KKJ9-001	0	E07	91000						
90423-KKJ9-C00	0	E04			92000-05016-07G		0	E08	
90441-GFY6-C01	1	E06	91001-KKJ9-C00	0	E04		92000-06012-0HG	0	E01
90441-KDY4-C00	0	E01	91002-GGA7-C00	0	E06		92101-05012-0HG	1	E01
90441-KKC4-C00	0	E08	91003-KHE7-90A	0	E01		92101-05012-0HG	1	F07
90465-MDC4-C01	0	E02	91004-KHE7-C00	0	E06		92101-05032-0HG	1	E07
90474-3C33-C00	1	E01	91009-KHE7-C00	0	E08		92900-06050-08G	1	E02
90478-7L00-C00	0	E02	91201-ABD6-C00	0	E04		92900-08046-0BG	1	E02
90481-GGS7-C00	0	E02	91202-KKC4-C00	0	E01	93000			
90503-LEA7-C00	0	F06	91202-LHG7-C00	0	E01				
9052A-LEB1-C01	0	E01	91211-KHE7-C00	1	E06				
90544-KEC8-C00	0	F06	91251-LLJ3-C00	0	F06		93404-06012-07G	0	F18
90545-3L00-C00	2	F04	91255-KHE7-90A	1	E01		93404-06016-06	1	F20
90601-LLJ3-C00	0	F06	91255-LGE5-C00	0	F16		93404-06016-08G	0	F18
90605-1F66-C00	0	E06	91255-LLB1-C00	0	F16		93404-06025-07G	1	F03
90651-LLJ3-C00	0	F06	91301-KHE7-900	0	E02		93404-06025-07G	1	F20
90652-GFY6-C00	1	E02	91301-LDF2-M90	0	E02		93500-05016-0H	0	E02
90652-KHE7-900	0	F13	91302-0A01-C00	10	E04		93600-04012-1G	1	F04
90652-LCA4-C10	6	F05	91302-LDF2-M90	2	E02	93891-05016-06	0	F13	
90652-LCA4-C10	6	F12	91303-3G77-C00	0	E04	93892-04008-16	1	E05	
90652-LFB5-C00	1	F05	91306-1E05-C00	1	E03	93893-04012-18	0	F04	
90652-LFB5-C00	1	F12	91307-0E35-W10	1	E04	93903-25260	1	F05	
90677-GAR1-C01	1	F11	91351-KHE7-C00	1	E06	93903-25460	0	F13	
90754-LLJ3-C00	0	F07				93903-25480	1	F02	

PART NO. INDEX

PART NO.	VERSION	PAGE	PART NO.	VERSION	PAGE	PART NO.	VERSION	PAGE	
93903-34380-G	0	F03	94050-06080-G	1	F19	95000			
93903-34380-G	0	F11	94050-08080-G	1	E02				
93903-34380-G	0	F18	94050-08080-G	1	F19				
93903-34760	0	F05	94050-ALD7-C11	0	F03		95002-02130	0	F13
93903-35280-G	1	F01	94101-06000-G	0	F20		95002-02150	0	F13
93903-35280-G	1	F03	94101-08600	0	F15		95014-72204-G	0	F15
93903-35280-G	1	F05	94101-LBA2-C01	1	F20		95701-06008-07G	1	F06
93903-35280-G	1	F17	94101-LEA2-C00	0	F14		95701-06012-07G	1	F11
93903-35280-G	1	F18	94102-LBA2-E00	0	F20		95701-06012-08G	1	E02
93903-35280-G	1	F20	94251-08400-G	1	F20		95701-06016-07G	1	F20
93903-35380-G	1	F03	94301-08140	4	E04		95701-06025-07G	1	E02
93903-KEB7-C01	1	F03	94301-10160	4	E01		95701-06025-07G	1	E08
93903-LHJ8-C01	1	F01	94301-10160	4	E02		95701-06045-06	0	F06
93903-LHJ8-C01	1	F03	94301-10160	4	E03		95701-06045-07G	1	F20
93903-LHJ8-C01	1	F05	94301-10160	4	E04		95701-06050-07G	1	F04
93903-LHJ8-C01	1	F18	94301-10160	4	E08	95701-08012-08G	1	E01	
94000			94510-10000	0	E07	95701-08030-07G	0	E08	
			94520-26000	0	E04	95701-08035-07G	1	E08	
			94520-28000	1	E06	95701-KEC8-E01	0	F19	
94050-05080-G	1	F18	94520-47000	0	F16	95701-LDF2-800	2	F10	
94050-06060	1	F04	94591-25000	1	F05	95801-08040-08G	1	F06	
94050-06070-G	0	F04	94591-KFBF-C00	1	E02	95801-08050-07G	1	F16	
94050-06070-G	0	F10	94591-LGR5-E10	1	F05	95801-08055-07G	1	F16	
94050-06070-G	0	F19	94601-17000	0	E03	95801-10030-07G	1	F15	
94050-06070-G	0	F20	94608-LLJ3-C00	0	F06	95801-10040-08G	1	F16	
94050-06080-G	1	E02				95801-10045-07G	1	F14	

PART NO. INDEX

PART NO.	VERSION	PAGE	PART NO.	VERSION	PAGE	PART NO.	VERSION	PAGE
95801-10057-07G	1	F14	96600-08018-08G	1	E07			
			96600-LEA7-C00	0	F14			
96000			96600-LGE5-C00	0	F04			
			96700-KED9-C01	1	F06			
96001-06010-00	0	E02						
96001-06012-07G	1	F04	98000					
96001-06012-07G	1	F06						
96001-06012-07G	1	F19	98069-5691R-00	0	E02			
96001-06012-08G	1	E07	98200-31000	1	F11			
96001-06012-08G	1	F19	98200-31500	1	F11			
96001-06016-08G	1	E01	98200-32500	0	F11			
96001-06018-02	0	E04	98200-33000	0	F11			
96001-06018-08G	1	E02						
96001-06022-07G	1	E04	K					
96001-06028-07G	1	E04						
96001-06045-07G	1	E04	K536-174-0200	1	E05			
96001-06050-08G	1	E01						
96001-06110-08G	1	E02	N					
96001-06125-07G	0	E04						
96001-06130-07G	0	E04	N114-05103-3	1	E05			
96100-60000-00	0	E04						
96100-63020-00	0	E01	W					
96100-63020-00	0	E08						
96100-63040-00	1	E01	W1792-048-9901	1	E05			
96150-60020-10	0	F07						
96150-62040-10	0	F16						



Motosikal dan Enjin Nasional Sdn Bhd
Kawasan Gurun Perusahaan Gurun, 08300 Gurun, Kedah Darul Aman, Malaysia
Tel : 604-466 8000 Fax : 604-466 8300

Pusat Panggilan Pelanggan **1 800 880 181** www.modenas.com.my

WhatsApp Talian Khidmat Pelanggan **+6019-570 8135**

Edaran MODENAS Sales & Marketing Office
EON Head Office Complex, No. 2 Level 2 Persiaran Kerjaya, Taman Perindustrian Glenmerie ,
Section U1 40150, Shah Alam, Selangor Darul Ehsan
Tel : 03-7880 2775 Fax : 03-7880 2290

MODENAS Service Centres in Malaysia

● Kedah	Kawasan Perindustrian Gurun, 08300 Kedah.	Tel : 04-466 8236 : 04-466 8238	Fax: 04-466 8109
● Perak	No. 123, Jalan Raja Musa Aziz, 30300 Ipoh, Perak	Tel : 05-249 8961 : 04-466 8117	Fax: 05-249 8965
● Selangor	No. 62 & 64 Jalan Pluto AY, U5/AY, Seksyen U5 40150 Shah Alam, Selangor.	Tel : 04-466 8160	Fax: 03-784 50972
● Pahang	No. A 149, Lorong Seri Teruntum 8, Jalan Dato Wong Ah Jang, Taman Tunas Maju, 25200 Kuantan, Pahang.	Tel : 09-512 3380 : 04-466 8199	Fax: 09-512 3383
● Johor	No. 1, Jalan Kempas 2, Taman Tanah Tampoi 81200 Johor Bahru, Johor.	Tel : 07-236 1695 : 04-466 8148	Fax: 07-235 2693

A Member Of :



[JILID-1 1/2023]
99924-L076-00

Distributor :

