

SN125Z-A1MY



MODENAS

MINYAK ENJIN YANG DISYORKAN

EMOS OIL

KARISMA
125S

SN125Z-A1MY



SPARE PARTS CATALOGUE

SPARE PARTS CATALOGUE



MODENAS

GENUINE PARTS

INTRODUCTION

1

PICTORIAL INDEX

2

ENGINE GROUP

3

FRAME GROUP

4

DECALS GROUP

5

PART NO. GROUP

6



INTRODUCTION 1

CONTENTS

1 INTRODUCTION

- INTRODUCTION TO PARTS CATALOGUE
- COLOR CHART

2 PICTORIAL INDEX

ENGINE INDEX

- E01 ~ E06
- E07 ~ E12
- E13 ~ E18
- E19 ~ E24

FRAME INDEX

- F01 ~ F06
- F07 ~ F12
- F13 ~ F18
- F19 ~ F24
- F25 ~ F30

3 ENGINE GROUP

4 FRAME GROUP

5 DECALS GROUP

- D01 ~ D06

6 PART NUMBER INDEX (ENGINE)

100010556 ~ 100146181

100146254 ~ 100011281-0001

100011282-0001 ~ 95310-06000-03

PART NUMBER INDEX (FRAME)

01-4008-000 ~ 31-3007-000

31-3008-000 ~ 40181-412-0149KRQ

40181-412-0150KCQ ~ 95801-12025-03

INTRODUCTION TO PARTS CATALOGUE

This parts catalogue is meant for type of model:

1. SN125Z-A1MY

This part catalogue is based on the latest specification on 30 December 2021 from ZS. Please refer to the nearest service centre to obtain the latest information on the part catalogue.

1. How to order parts.

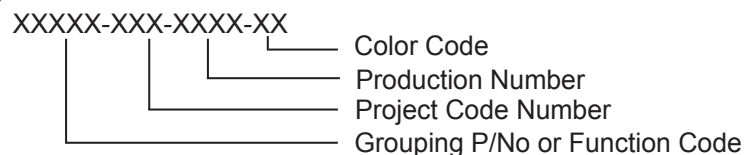
In ordering spare parts for the replacement market, it is compulsory to include the following items:

Part Number, Description and Color Code.

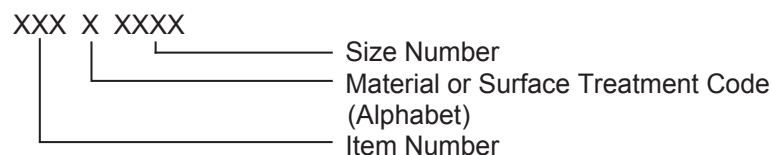
2. Explanation of Parts Catalogue

A. Part Number Structure

(i) Part number



(ii) Standard hardware number



B. Quantity

Indicates the volume quantity needed as specified in the column stated under "Quantity".

Note: Final quantity shall be specified in the quantity column and not always as depicted in diagram.

3. List of Abbreviations

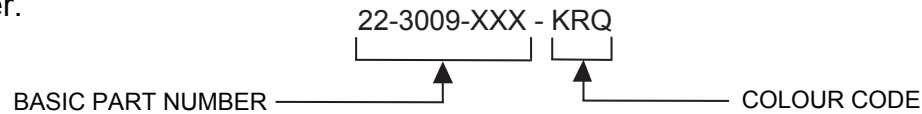
Describes the abbreviations used in this parts catalog.

(+)	Plus	MM	Millimeter
(-)	Minus	MPH	Miles Per Hour
&	And	NA	Not Available
2 nd	Second	O/S	Over Size
3 rd	Third	OD	Outside Diameter
4 th	Fourth	PR	Ply Rating
AR	As Required	REF	Reference
ASSY	Assembly	RH	Right Hand
CA	Cut Away	RPM	Revolutions Per Minute
CNT	Center	RR	Rear
COMP	Complete	STD	Standard
D	Degree	T	Teeth
FR	Front	T=	Thickness
G	Gram	U/S	Under Size
HEX	Hexagonal	UPP	Upper
ID=	Inside Diameter	V	Volt
KPH	Kilometers Per Hour	W	Watt
L	Link	W/	With
L=	Length	WD	With Decal
L/	Less	WOD	Without Decal
LH	Left Hand		

ALWAYS USE MODENAS GENUINE PARTS

COLOUR CHART 1

1. When ordering a coloured part/s, refer to the chart below and add the colour code at the end of the basic part number.



A) BODY COLOUR CODE (PAINT COLOUR CODE)

NO	COLOUR NAME	CODE FOR PART	COLOUR LOCATION		CODE FOR PRODUCT
			COLOUR 1	COLOUR 2	
1	MYSTIQUE RED (1530)	RQ	RQ	FZ	KRQ
2	ACQUA CYAN	CQ	CQ	FZ	KCQ
3	DUCHESS GOLD	GD	GD	FZ	KGD
4	METALLIC BLACK	FZ	FZ	-	KRQ/KCQ/KGD
5	SATIN BLACK	SX	SX	-	KRQ/KCQ/KGD
6	FLAT BLACK	FB	FB	-	KRQ/KCQ/KGD

B) COLOUR CODE FOR ABS PARTS (PAINT CODE)

NO	PART NAME	PART NO.	COLOUR CODE		
			KRQ	KCQ	KGD
1	HANDLE REAR COVER	22-3009-000	FB	FB	FB
2	HANDLE FRONT COVER	31-3007-000	↑	↑	↑
3	HANDLE UPPER COVER	31-3008-000	FZ	FZ	FZ
4	INSTRUMENT UPPER COVER	31-3010-000	RQ	CQ	GD
5	FRONT PANEL	31-3004-000	↑	↑	↑
6	FRONT RIGHT COVER	31-3023-000			
7	FRONT LEFT COVER	31-3022-000			
8	HEADLAMP LOWER COV.CONN.PART	31-3044-000			
9	FRONT PANEL DECORATION PANEL	31-3041-000			
10	FRONT RIGHT VENTILATION GRID	31-3043-000	FZ	FZ	FZ
11	FRONT LEFT VENTILATION GRID	31-3042-000	↑	↑	↑
12	FRONT UPPER COVER	31-3005-000	SX	SX	SX
13	FRONT UPPER COVER DECO PARTS	31-3040-000	FZ	FZ	FZ
14	RIGHT BODY COVER	22-3001-000	↑	↑	↑
15	LEFT BODY COVER	22-3000-000			
16	REAR CENTER COVER	22-3003-000			
17	REAR TAIL LAMP COVER	31-3045-000			
18	FRONT MUDGUARD	22-3002-000	RQ	CQ	GD
19	STORAGE BOX DECORATION COVER	22-3006-000	↑	↑	↑

AMENDMENT SHEET

Page no.	Fig. no.	Old part no.	New part no.	Description	Updation date	Remarks

Page no.	Fig. no.	Old part no.	New part no.	Description	Updation date	Remarks



PICTORIAL INDEX 2

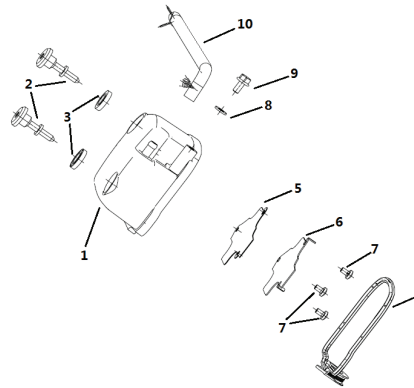
PICTORIAL INDEX

ENGINE



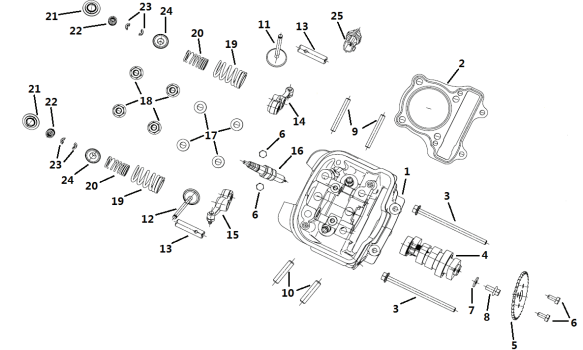
E 1

UPPER COVER CYLINDER HEAD



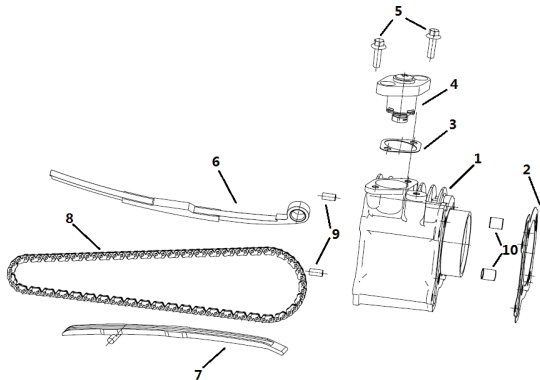
E 2

CYLINDER HEAD



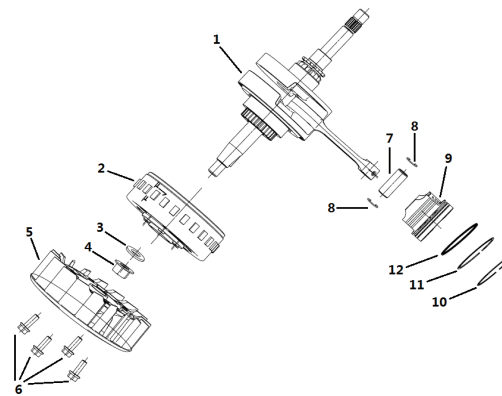
E 3

CYLINDER BLOCK



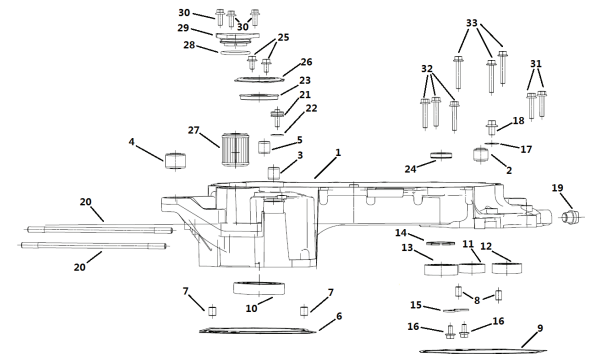
E 4

CRANKSHAFT ASSY/PISTON



E 5

CRANKCASE LEFT SIDE

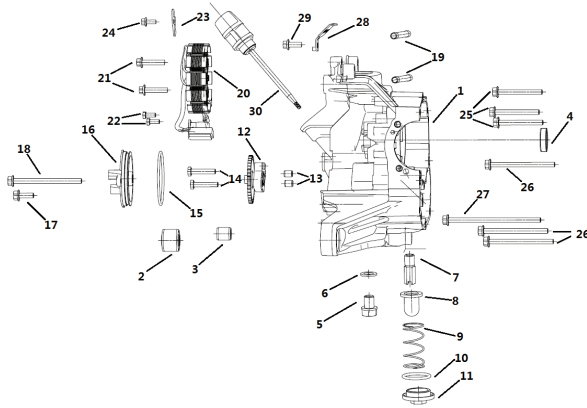


E 6

PICTORIAL INDEX

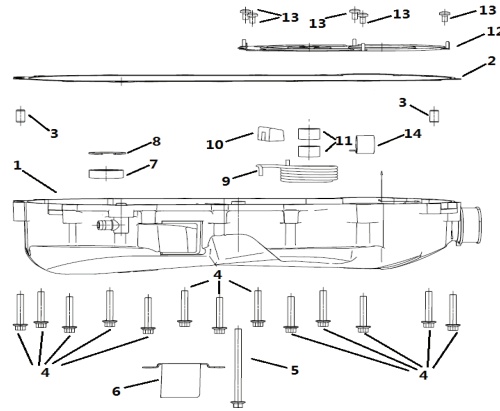
CRANKCASE RIGHT SIDE

E7



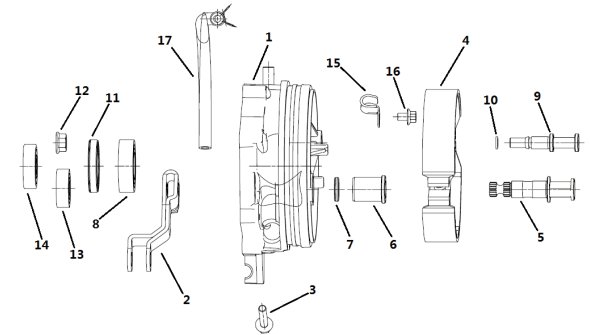
LEFT CRANKCASE COVER

E8



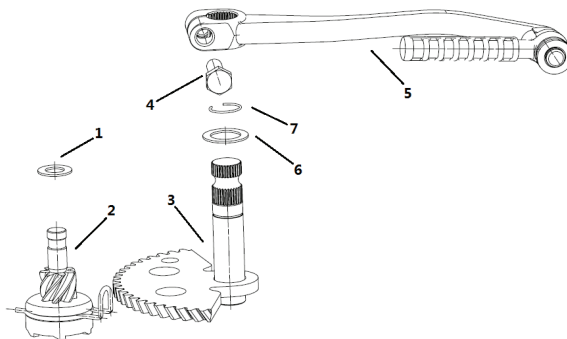
GEARBOX COVER

E9



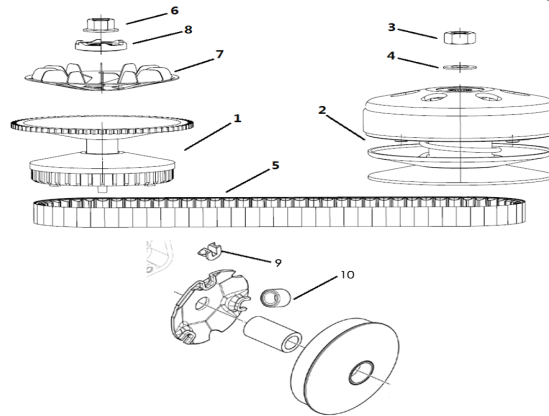
KICK STARTER MECHANISM

E10



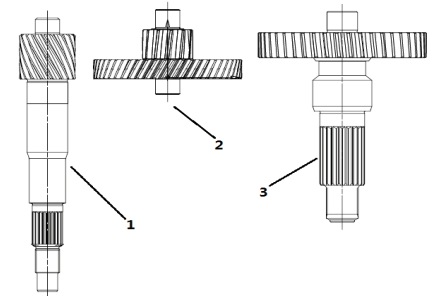
CVT TRANSMISSION MECHANISM

E11



CRANKSHAFT CONNECTING-ROD ASSY

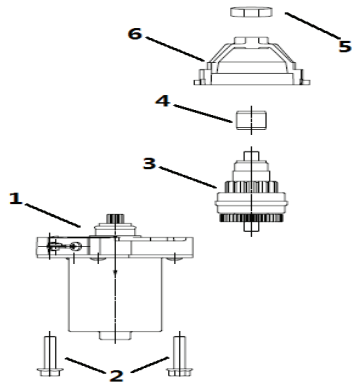
E12



PICTORIAL INDEX

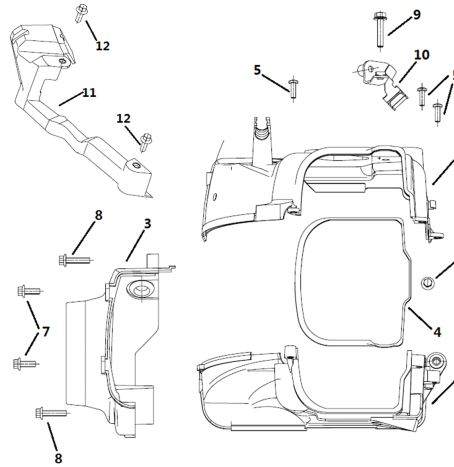
ELECTRICAL STARTING MECHANISM

E13



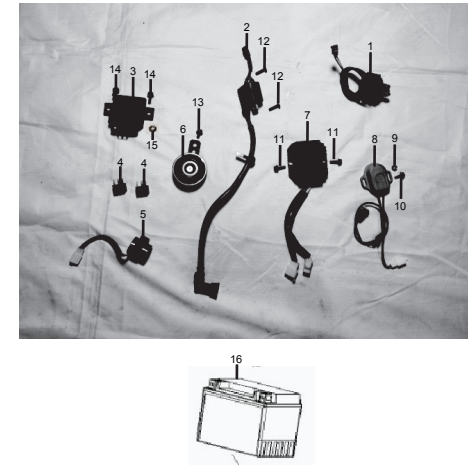
COOLING SYSTEM

E14



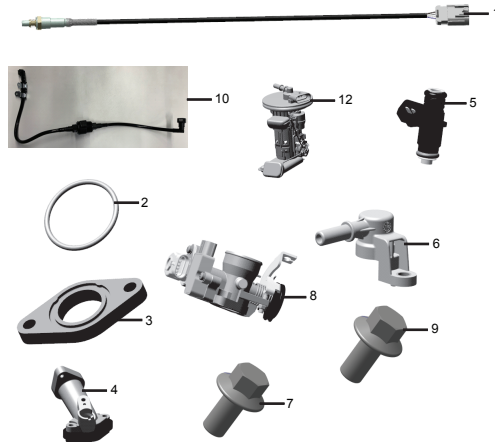
ELECTRICAL COMPONENTS

E15



EFI ACCESSORIES

E16



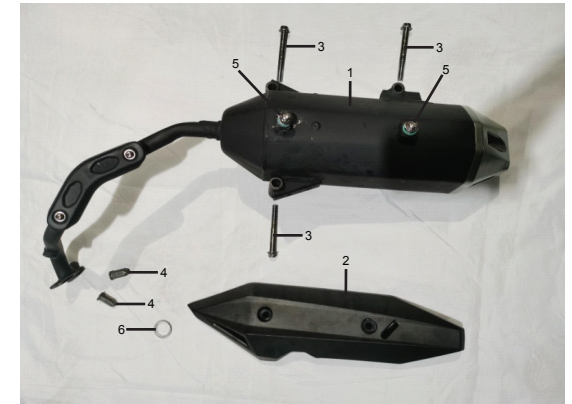
THROTTLE ASSY

E17

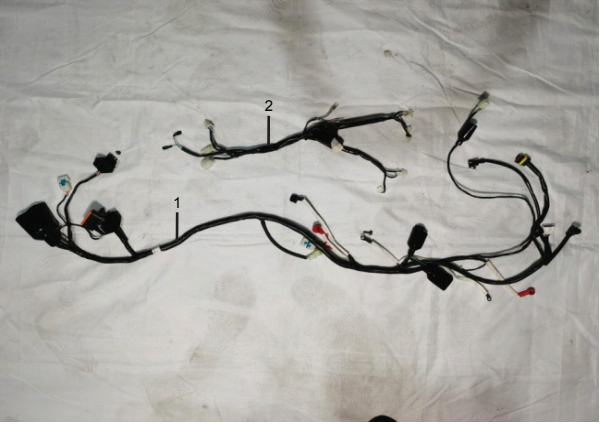


MUFFLER ASSY

E18

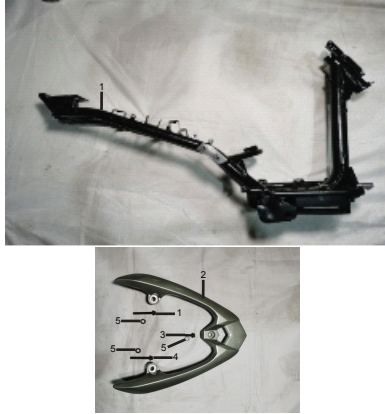


PICTORIAL INDEX

<p>MAIN HARNESS</p> <p>E19</p> 	<p>N/A</p> <p>E20</p>	<p>N/A</p> <p>E21</p>
<p>N/A</p> <p>E22</p>	<p>N/A</p> <p>E23</p>	<p>N/A</p> <p>E24</p>

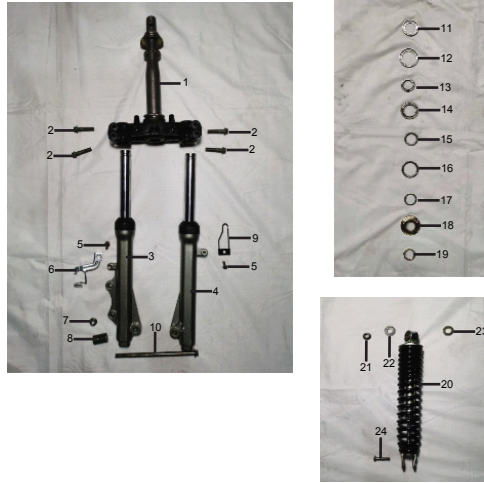
PICTORIAL INDEX

FRAME



F 1

ABSORBER & STEERING PARTS



F 2

ENGINE HANGER



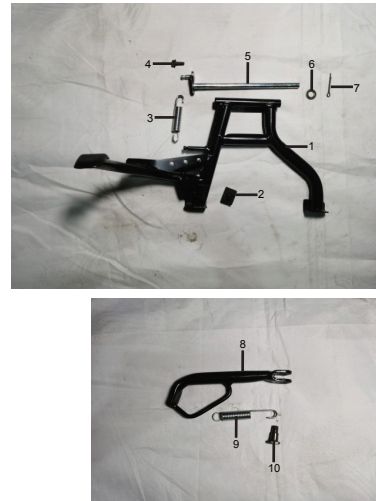
F 3

STEP PEDAL



F 4

MAIN TRIPOD / SIDE STAND



F 5

CONNECTING PLATE



F 6

PICTORIAL INDEX

FRONT PANEL BRACKET

F 7



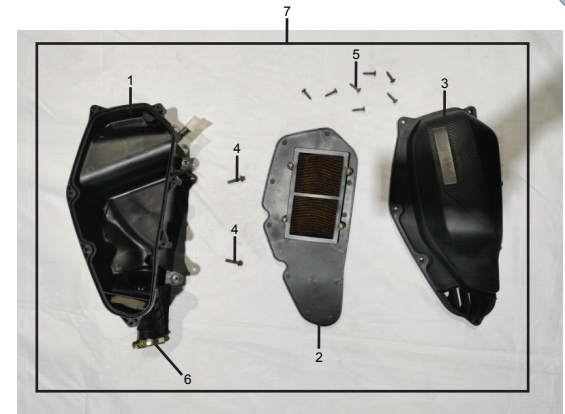
HANDLEBAR & REAR VIEW MIRROR

F 8



AIR FILTER ASSY

F 9



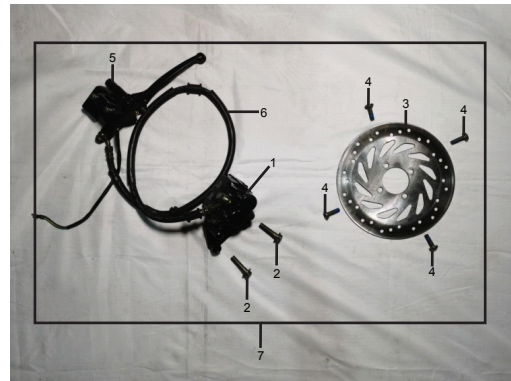
TANK ASSY

F10



FRONT BRAKE & REAR BRAKE PAD

F11



SEAT LOCK ASSY

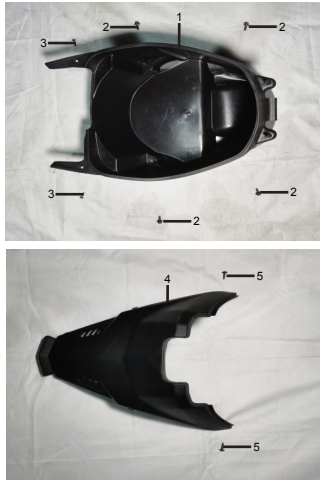
F12



PICTORIAL INDEX

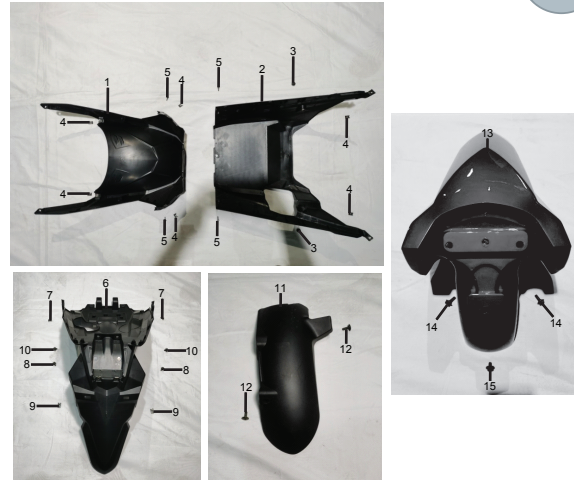
MIDDLE GOODS CASE

F13



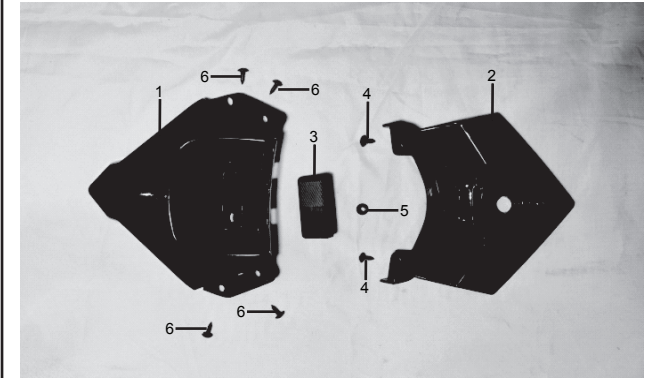
FENDER FRONT & REAR

F14



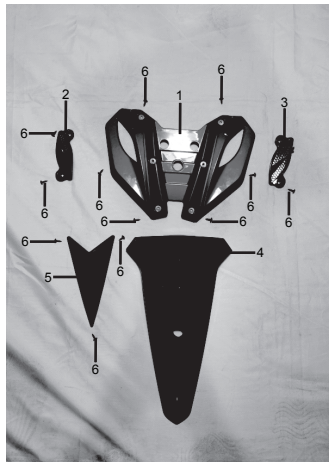
CENTER COVER REAR

F15



FRONT PANEL DECORATION

F16



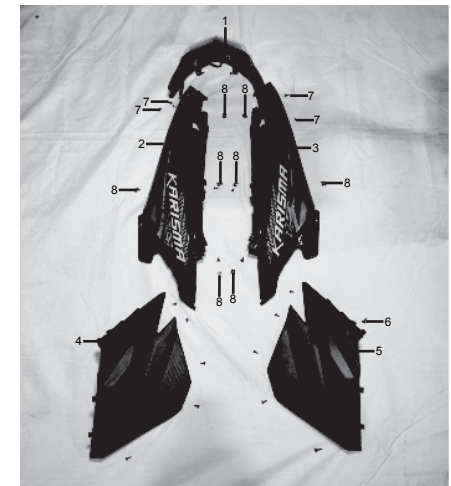
FRONT WALL ASSY

F17



BODY COVER

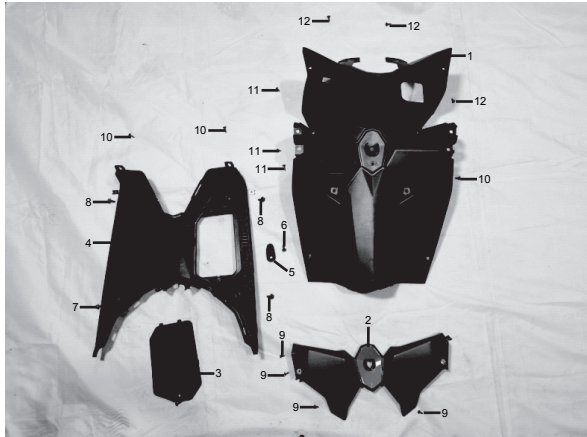
F18



PICTORIAL INDEX

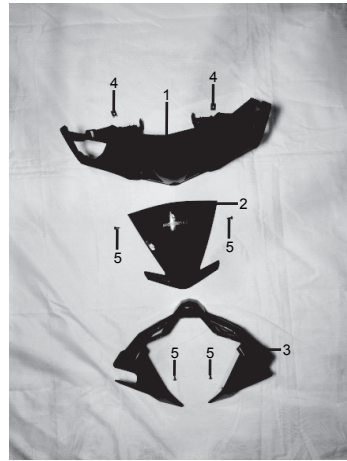
STORAGE BOX / FOOT PEDAL

F19



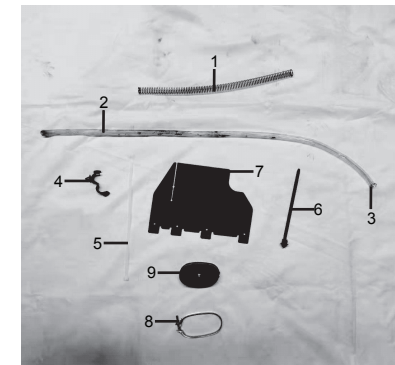
HANDLE COVER FRONT

F20



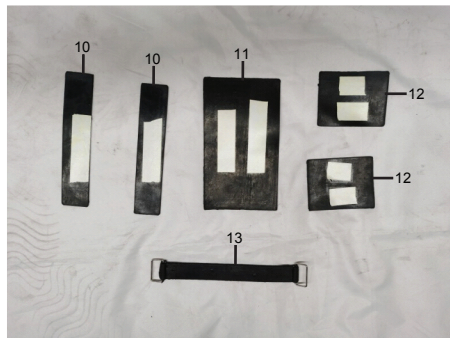
ATTACHMENT 1

F21



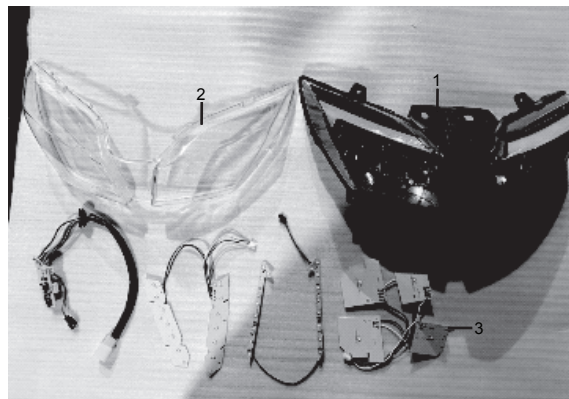
ATTACHMENT 2

F22



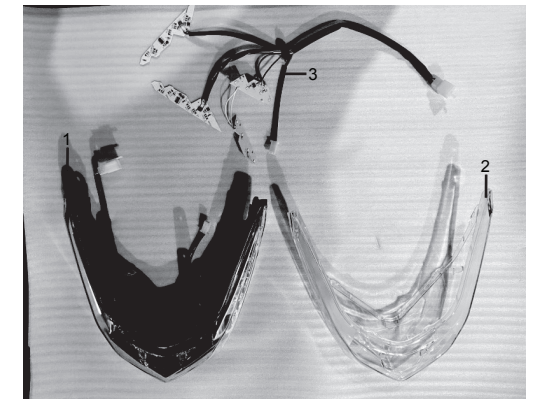
HEADLIGHT ASSY

F23




REAR LAMP ASSY

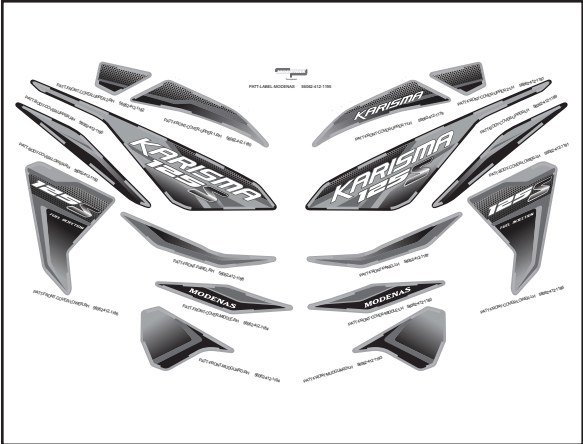
F24



PICTORIAL INDEX

<p>CONTROL CABLE</p> <p>F25</p> 	<p>RIM FRONT / REAR</p> <p>F26</p> 	<p>METER / REAR HANDLE COVER</p> <p>F27</p> 
<p>LICENSE LAMP & SIDE REFLECTOR</p> <p>F28</p> 	<p>N/A</p> <p>F29</p>	<p>N/A</p> <p>F30</p>

PICTORIAL INDEX

<p>PATTERNS</p> <p>1/2/3</p>  <p>D01</p>	<p>N/A</p> <p>D02</p>	<p>N/A</p> <p>D03</p>
<p>N/A</p> <p>D04</p>	<p>N/A</p> <p>D05</p>	<p>N/A</p> <p>D06</p>

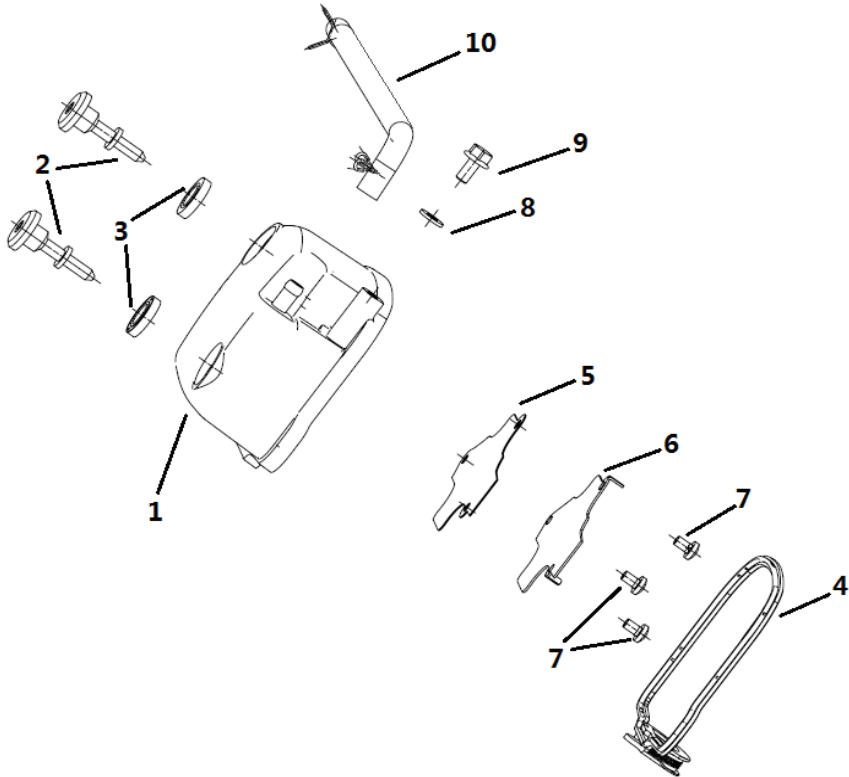


ENGINE

Ref. No.	Part No.	Description	Quantity	
			V1	
1	39-1000-000	ENGINE ASSEMBLY	1	
2	39-1006-000	CYL. HEAD TEMP. SENSOR	1	

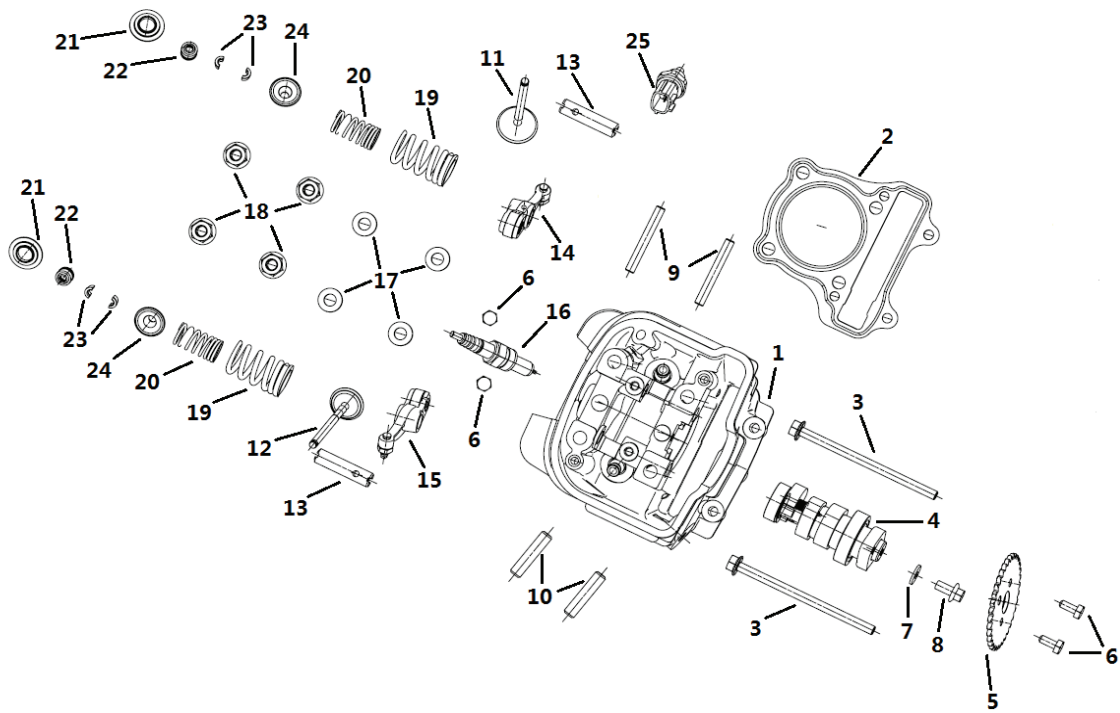


UPPER COVER CYLINDER HEAD



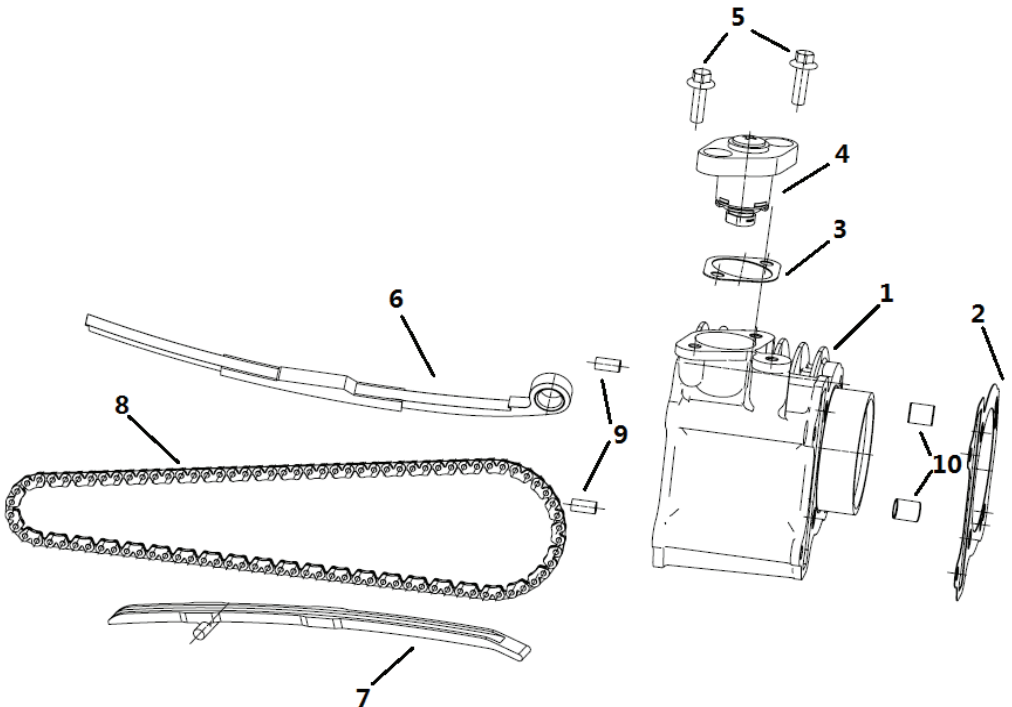
Ref. No.	Part No.	Description	Quantity		
			V1		
1	100145959-0002	HEAD COVER ASSEMBLY	1		
2	100100408-0002	BOLT	2		
3	100208911	GASKET	2		
4	100146181	SEAL RING OF UPPER CYL. HEAD	1		
5	100146254	PAPER GASKET	1		
6	100146258	INN. CVR PLATE CYL. HEAD COVER	1		
7	100010952-0001	SCREW M5X8	3		
8	100106538	WASHER 6.2X1.5X13	1		
9	100011261-0004	BOLT M6X12	1		
10	100205985	PIPE ASSY	1		

CYLINDER HEAD



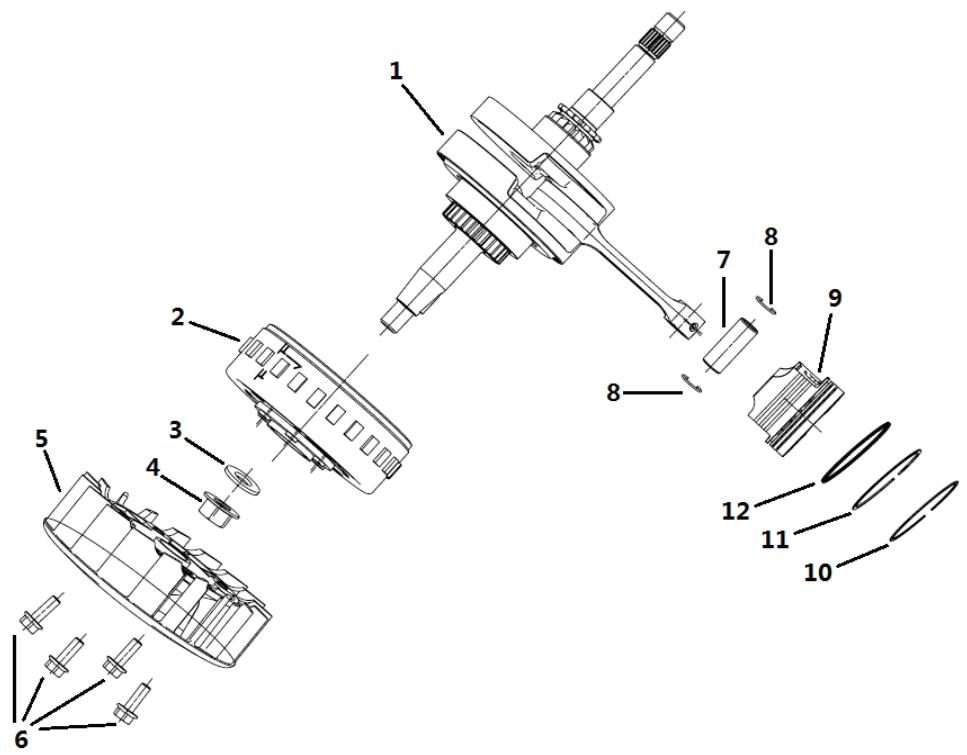
Ref. No.	Part No.	Description	Quantity		
			V1		
1	100143332-0002	CYL.HEAD ASSEMBLY			1
2	100148435	GASKET ASSY CYL.HEAD			1
3	100011284-0003	BOLT M6X100			2
4	100146072	GAM SHAFT COMP			1
5	100070779	TIMING DRIVEN SPROCKET			1
6	100100487	BOLT M5X12			4
7	100106374	WASHER 6.2X1X18			1
8	100055591-0006	BOLT M6X12			1
9	100100564-0001	BOLT M6X50			2
10	100087291-0001	BOLT M6X35			2
11	100143975	INTAKE VALVE			1
12	100143983	EXHAUST VALVE			1
13	100146021	ROCKER SHAFT			2
14	100146032	ROCKER ARM			1
15	100146031	ROCKER ARM			1
16	100104154	SPARK PLUG			1
17	100074895	WASHER			4
18	100011453-0003	NUT M8			4
19	100146016	OUTER VALVE SPRING			2
20	100146014	INNER VALVE SPRING			2
21	100146017	VALVE SPRING LOWER SEAT RING			2
22	100105334	SEAL VALVE STEM			2
23	100105320	VALVE LOCKER			4
24	100105305	SPRING SEAT			2
25	100102806	TEMPERATURE SENSOR			1

CYLINDER BLOCK



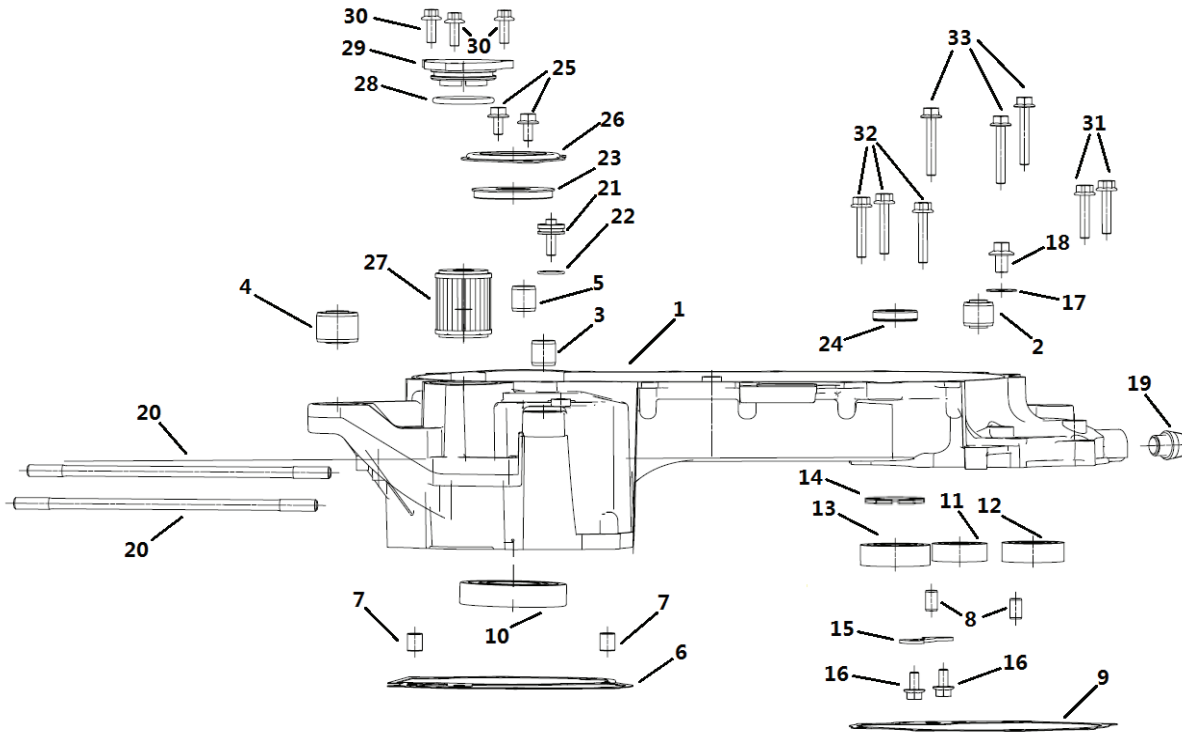
Ref. No.	Part No.	Description	Quantity	
			V1	
1	100143328-0002	CYL.HEAD BLOCK ASSEMBLY	1	
2	100147309	CYL.HEAD BLOCK GASKET	1	
3	100208741	GASKET TENSIONER	1	
4	100108552-0002	CHAIN TENSIONER WHEEL	1	
5	100055588-0006	BOLT M6X20	2	
6	100146136	TENSION PLATE ASSY	1	
7	100146178	SLIDING BLOCK	1	
8	100105107	SPROKET CHAIN	1	
9	100108526	PIN 6X12	2	
10	100010556	PIN 10X12	2	

CRANKSHAFT ASSY/PISTON



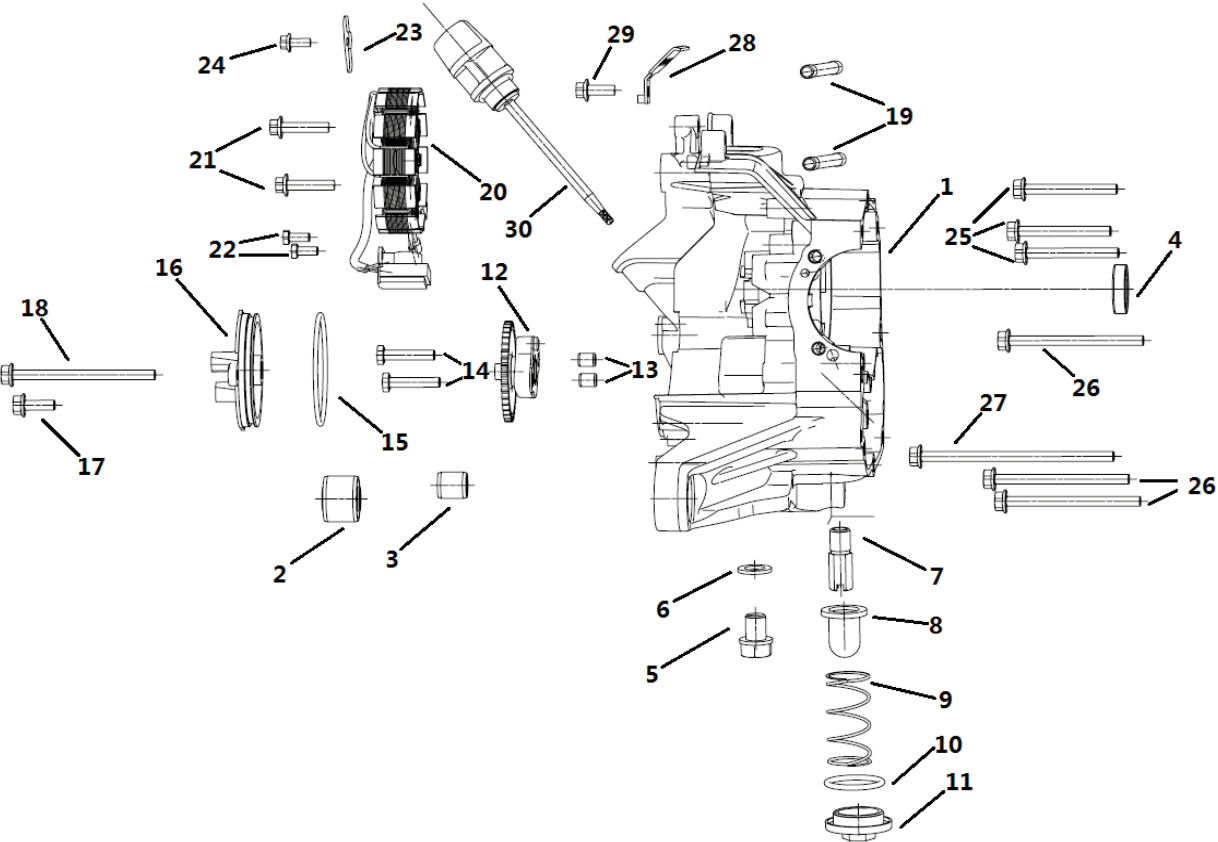
Ref. No.	Part No.	Description	Quantity		
			V1		
1	100143859	CRANKSHAFT CONN-ROD ASSY	1		
2	100129381	ROTOR ASSY MAGNETO	1		
3	100106320	WASHER 12.2X2.5X24	1		
4	100100515-0002	LOCK NUT CLUTCH	1		
5	100720811	COOLING FAN ASSY	1		
6	100011265-0003	BOLT M6X18	4		
7	100144126	PIN PISTON	1		
8	100100580	CHECK RING PISTON PIN	2		
9	100144125	PISTON	1		
10	100149914	PISTON RING I	1		
11	100149913	PISTON RING II	1		
12	100149912	OIL RING ASSY	1		

CRANKCASE LEFT SIDE



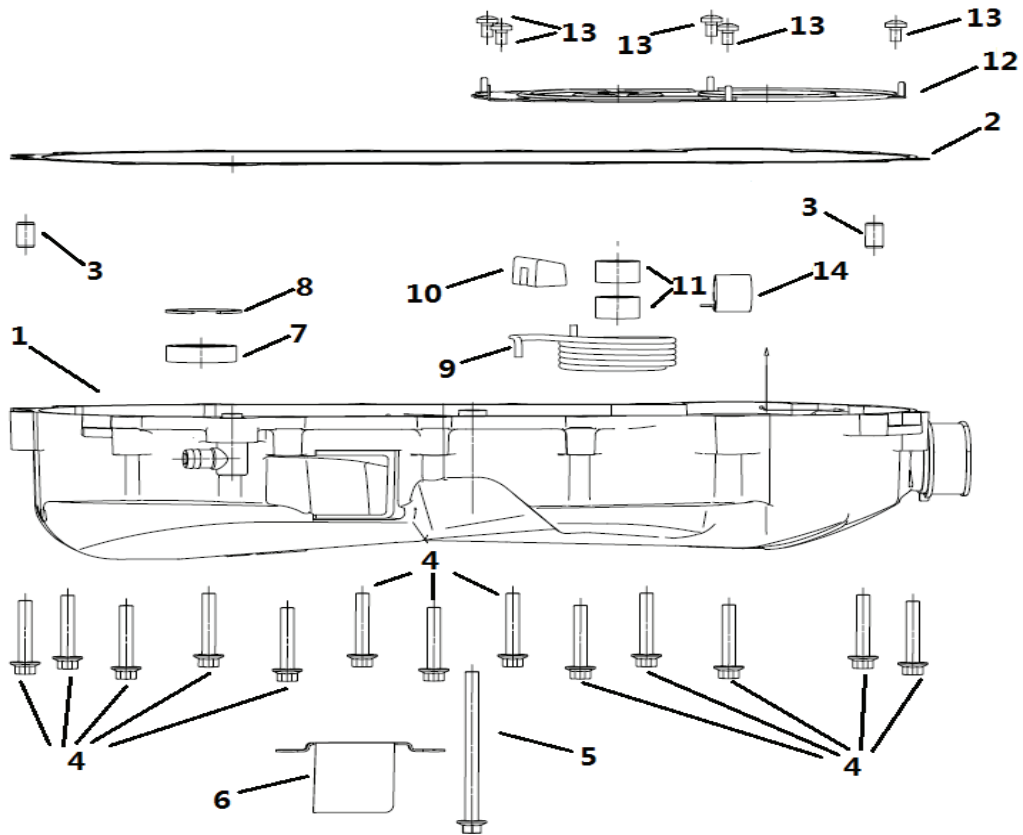
Ref. No.	Part No.	Description	Quantity	
			V1	
1	10043331-0002	LEFT CRANKCASE ASSY	1	
2	100103009	BOTTOM BUSH RR DAMPER	1	
3	100147314	SUPPORT FRAME SLEEVE	1	
4	100206035	RUBBER BUSH ENGINE HANGER	1	
5	100103241	REDUCTION SHAFT SLEEVE	1	
6	100147310	GASKET CRANKCASE	1	
7	100010556	PIN 10X12	2	
8	100100868	DOWEL PIN 8X14X6.3	2	
9	100148281	GASKET TRANSMISSION CASE	1	
10	100143861	BEARING	1	
11	100071526	BEARING 6301 P6	1	
12	100100954	BEARING 6302 C3	1	
13	100100951	BEARING 6304 C3	1	
14	100100601	ELASTIC CHECK RING DIA.20	1	
15	100147342	BEARING PRESSURE PLATE	1	
16	100011261-0004	BOLT M6X12	2	
17	100106545	WASHER 5.2X1.8X16	1	
18	100033101-0002	BOLT M8X12	1	
19	100051009	OIL PLUG ASSY	1	
20	100087294	CYLINDER STUD BOLT A	2	
21	100147348	TENSION PLATE BOLT	1	
22	100721376	O-RING 15.2X1.5	1	
23	100147908	GASKET	1	
24	100104795	OIL SEAL	1	
25	100011261-0004	BOLT M6X12	2	
26	100147486	OIL SEAL BAFFLES	1	
27	100104853	OIL FILTER	1	
28	100300384	O-RING 38.6X2.6	1	
29	100146217-0002	CAP OIL FILTER	1	
30	100055589-0006	BOLT M6X16	3	
31	10011270-0002	BOLT M6X30	2	
32	100011271-0003	BOLT M6X35	3	
33	100011273-0003	BOLT M6X40	3	

CRANKCASE RIGHT SIDE



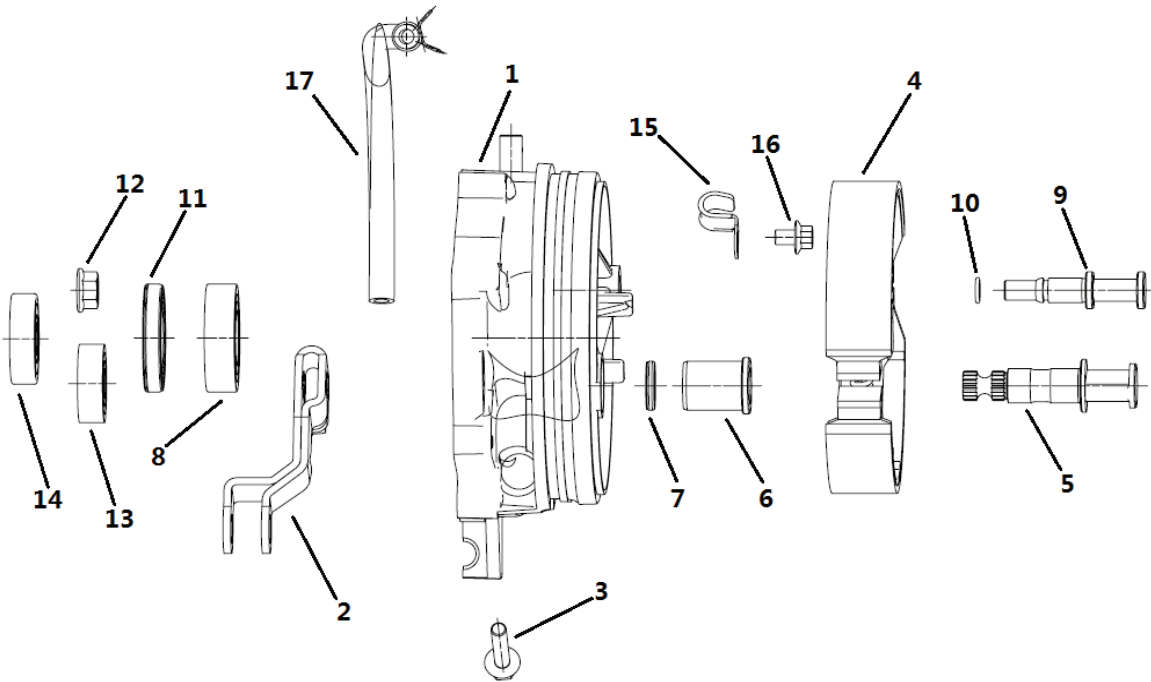
Ref. No.	Part No.	Description	Quantity		
			V1		
1	10043330-0002	RIGHT CRANKCASE ASSY	1		
2	100206035	RUBBER BUSH ENGINE HANGER	1		
3	100147314	SUPPORT FRAME SLEEVE	1		
4	100160368	OIL SEAL 19.8X30X7	1		
5	100100331-0006	OIL DRAIN PLUG	1		
6	100106548	WASHER 12.1X2X20	1		
7	100068731	OIL GUIDING PIPE	1		
8	100104943	STRINER OIL FILTER	1		
9	100100040	SPRING OIL FILTER STRAINER	1		
10	100107742	O-RING 29.6X3.2	1		
11	100102869-0003	COVER VALVE CHAMBER	1		
12	100146951	OIL PUMP ASSY	1		
13	100100866	DOWEL PIN 8X106.3	2		
14	100011176-0001	BOLT M6X30	2		
15	100147341	O-RING 64X2..65	1		
16	100146953	OIL PUMP COVER	1		
17	100011265-0003	BOLT M6X18	1		
18	100011282-0001	BOLT M6X85	1		
19	100100304	CYLINDER STUD BOLT B	2		
20	100129380-0003	STATOR ASSY MAGNETO	1		
21	100055587-0006	BOLT M6X28	2		
22	100011168-0003	BOLT M5X12	2		
23	100104984	STOP PLATE CAMSHAFT	1		
24	100011518-0001	BOLT M5X12	1		
25	100011276-0003	BOLT M6X55	3		
26	100011281-0001	BOLT M6X80	3		
27	100011288-0002	BOLT M6X120	1		
28	100716789	WIRE KEEP BOARD	1		
29	100031956-0002	BOLT M6X15	1		
30	100147011	OIL RULER ASSY	1		

LEFT CRANKCASE COVER



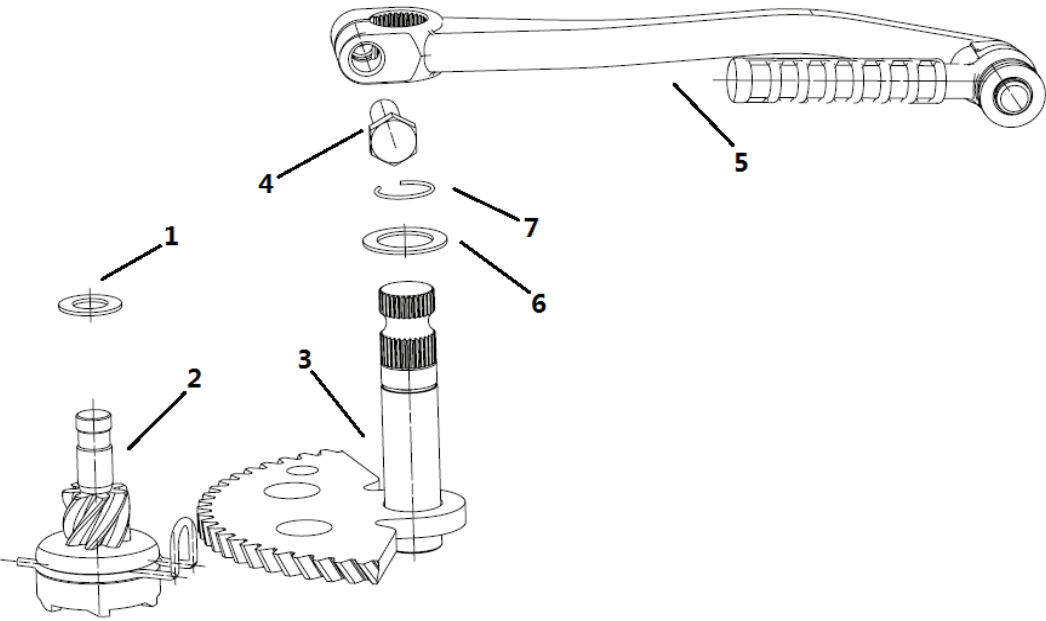
Ref. No.	Part No.	Description	Quantity	
			V1	
1	100734976-0002	FRONT PART L.CRANKCASE CVR	1	
2	100147308	GASKET FRONT PART /CRANKC CVR	1	
3	100100868	DOWEL PIN 8X14X6.3	2	
4	100011537-0002	BOLT M6X35	13	
5	100033088-0005	BOLT M6X85	1	
6	100147345	AIR VENT COVER	1	
7	100149911	BEARING	1	
8	100011080	RETAINING RING 32	1	
9	100201898	RETURN SPRING, KICK ST.SHAFT	1	
10	100301783	BUFFER	1	
11	1007290048	BEARING	2	
12	100145930	STOP PLATE DEFLECTOR	1	
13	100010952-0001	SCREW M5X8	5	
14	100716790	CLAMP BRAKE WIRE	1	
15	100747318	CLAMP BRAKE WIRE	1	

GEAR BOX COVER



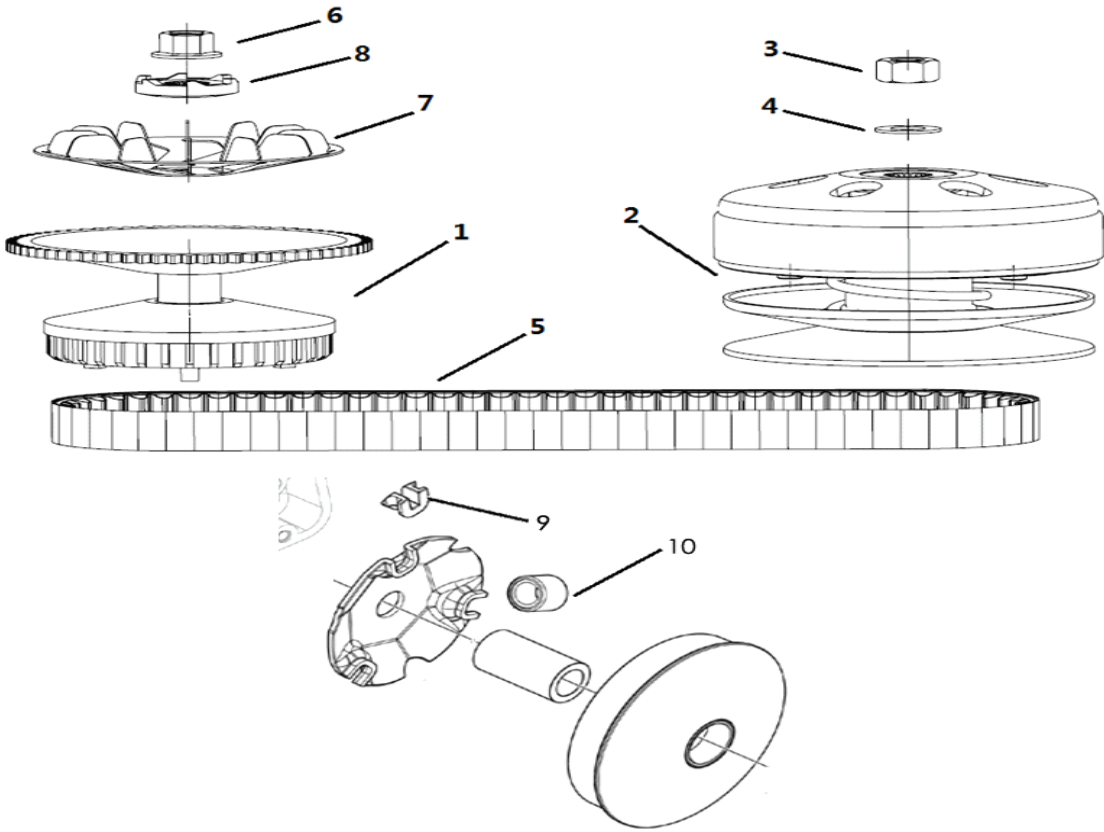
Ref. No.	Part No.	Description	Quantity	
			V1	
1	100145735-0001	TRANSMISSION CASE ASSY	1	
2	100148050	DRAW ARM	1	
3	100033038-0002	BOLT M6X32	1	
4	100071062	REAR BRAKE PAD	1	
5	100147333	BRAKE PARKING LEVER	1	
6	100071064	LEVER BRAKE CAM SLEEVE	1	
7	100148228	BRAKE SHAFT OIL SEAL	1	
8	100149749	RIGHT CRANK	1	
9	100087807	PIN FOR JAWS FULCRUM	1	
10	100087806	O-RING 7.5X1.5	1	
11	100148312	FINAL SHAFT OIL SEAL	1	
12	100011453-0003	NUT M8	1	
13	100010676	BEARING 6201	1	
14	100162704	BEARING 6301X2	1	
15	100722792	PIPE CLAMP	1	
16	100011527-0001	BOLT M6X8	1	
17	100722791	PIPE ASSY	1	

KICK-START MECHANISM



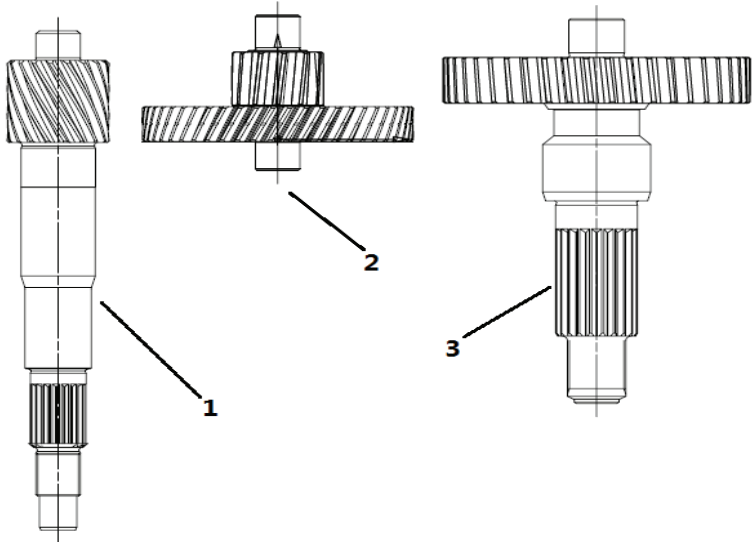
Ref. No.	Part No.	Description	Quantity	
			V1	
1	100072827	WASHER 10.2X1X18	1	
2	100145912	STARTING RATCHET	1	
3	100146461	KICK STARTING SHAFT ASSY	1	
4	100011569-0001	BOLT M8X25	1	
5	100147743	START UP BAR COMP	1	
6	100106425	WASHER 16.1X1X24	1	
7	100100594	CIRCLIP	1	

CVT TRANSMISSION MECHANISM



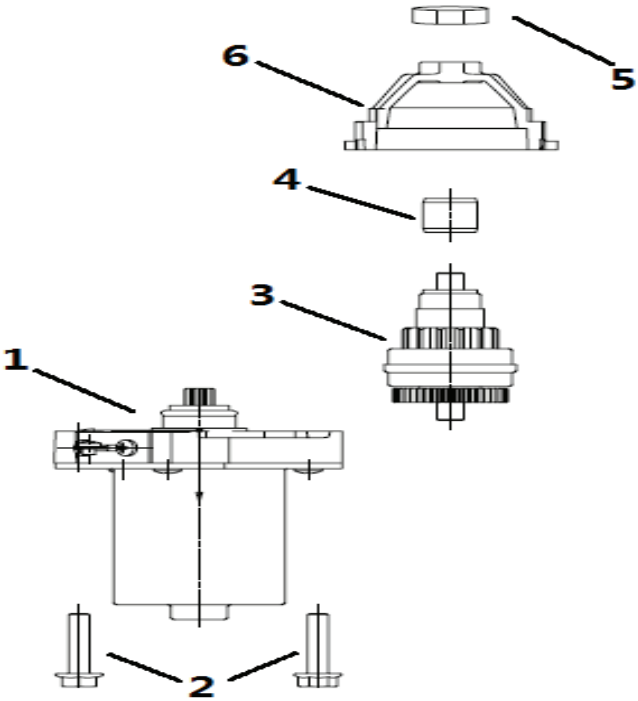
Ref. No.	Part No.	Description	Quantity	
			V1	
1	100724986	MOVING BELT WHEEL COMBINATION	1	
2	100149908	DRIVE PULLEY COMPONENTS	1	
3	100100518	LOCK NUT CLUTCH	1	
4	100106320	WASHER 12.2X2.5X24	1	
5	100149909	DRIVE TRIANGLE BELT COMBINATION	1	
6	100100546-0001	NUT M14X1.5	1	
7	100147078	COOLING FAN ASSY	1	
8	100144124	START DISH	1	
9	100144099	EFI BUFFER BLOCK	3	
10	100751852	EFI CENTRIFUGAL ROLLER(weight 12g)	6	

TRANSMISSION GEAR



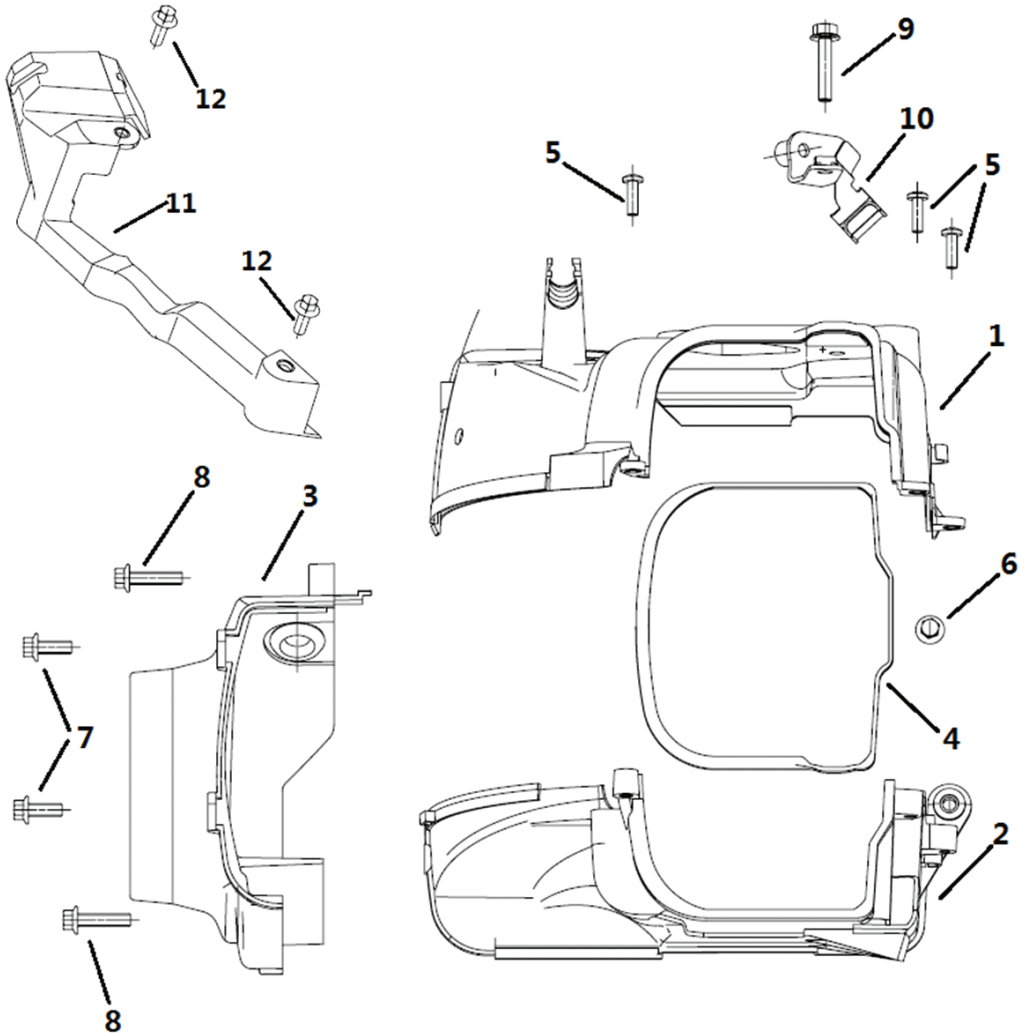
Ref. No.	Part No.	Description	Quantity	
			V1	
1	100145674	DRIVEN PULLEY SHAFT	1	
2	100145675	COUNTER SHAFT ASSY	1	
3	100727707	FINAL SHAFT	1	

ELECTRIC STARTING MECHANISM



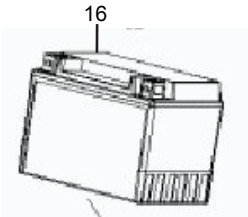
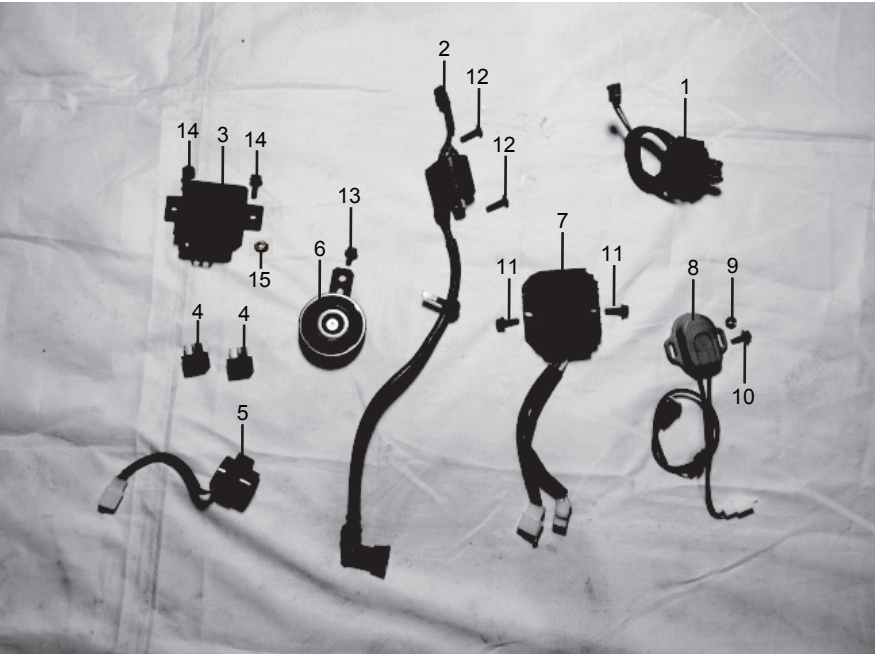
Ref. No.	Part No.	Description	Quantity	
			V1	
1	100147013-0002	STARTING MOTOR ASSY	1	
2	100011270-0002	BOLT M6X30	1	
3	100148757	ASSEMBLY OVERRUNNING CLUTCH	1	
4	100103241	REDUCTION SHAFT SLEEVE	1	
5	100148095	DAMPING RUBBER LINING	1	
6	100146080	OVERRUNNING CLUTCH COVER	1	

COOLING SYSTEM



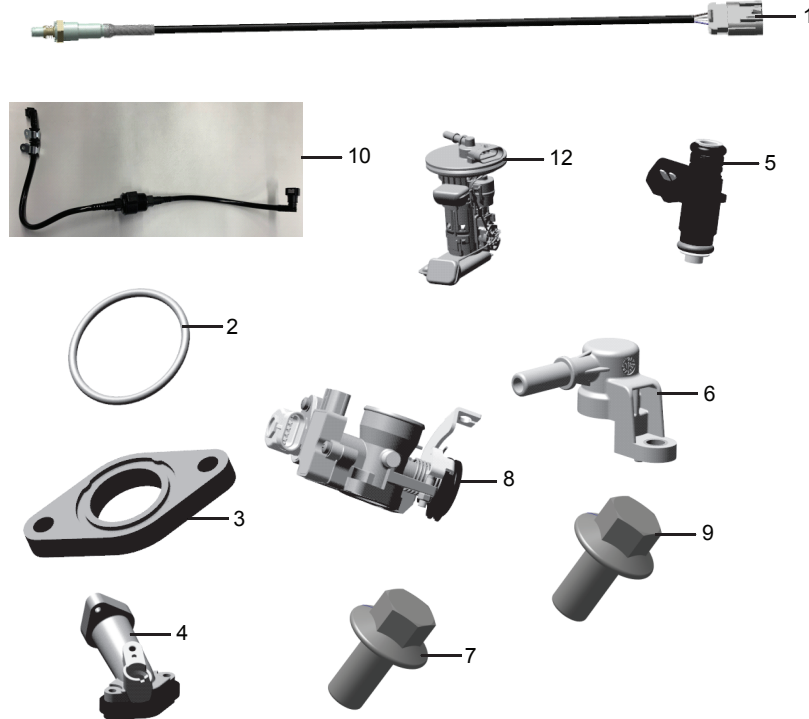
Ref. No.	Part No.	Description	Quantity	
			V1	
1	100144507	SHROUD COMP TOP	1	
2	100144508	SHROUD COMP BOTTOM	1	
3	100144509	FAN COVER ASSY	1	
4	100145602	CYLINDER HEAD SEALING RING	1	
5	100031848-0002	SCRE M5X16	3	
6	100055588-0006	BOLT M6X20	1	
7	100055589-0006	BOLT M6X16	2	
8	100011534-0002	BOLT M6X25	2	
9	100011270-0002	BOLT M6X30	1	
10	100148021	CLIP ASSY	1	
11	100146760	SPEED SENSOR HOUSING	1	
12	100055589-0006	BOLT M6X16	2	

ELECTRICAL PARTS



Ref. No.	Part No.	Description	Quantity	
			V1	
1	01-5015-000	START MAGNETIC SWITCH	1	
2	39-1010-000	HIGH PRESSURE BAG	1	
3	39-1005-000	ECU	1	
4	32-5010-000	EFI RELAY	2	
5	01-5017-000	FLASHER	1	
6	39-5012-000	HORN	1	
7	39-5013-000	PRESSURE REGULATOR	1	
8	24-5030-000	USB CHARGER INTERFACE	1	
9	93201-05016-03	CROSSING PAN HEAD CUSHION M5X16	1	
10	95201-05000-03	M5 FLANGE BOLT	1	
11	92101-06016-03	FLANGE BOLT M6X16	4	
12	93201-05020-02	CROSSING PAN HEAD M6X20	2	
13	92101-06012-03	FLANGE BOLT M6X12	1	
14	92101-06016-03	BOLT PAN HEAD	1	
15	95201-06000-03	NUT FLANGE	4	
16	26012-412-0023	BATTERY	1	

EFI ACCESSORIES



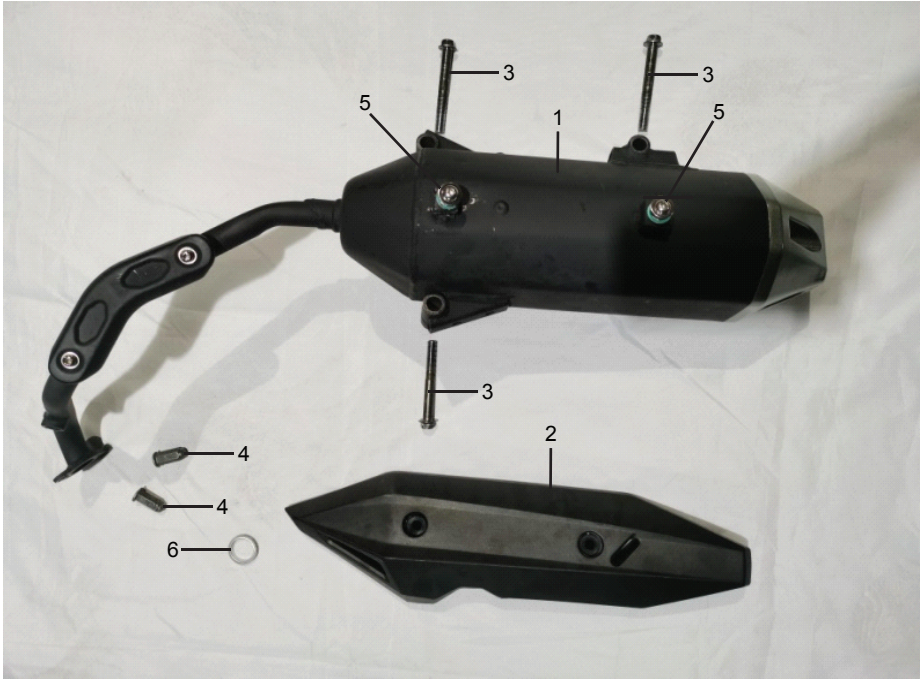
Ref. No.	Part No.	Description	Quantity	
			V1	
1	100712696-0001	OXYGEN SENSOR	1	
2	100081654	O-RING	2	
3	100145956	GASKET OF INLET PIPE	1	
4	100726391	INLET PIPE	1	
5	100719484	FUEL INJECTION	1	
6	100133143	PRESSURE CAP OF FUEL INJECTION	1	
7	100055591-0006	SCREW M6X12	1	
8	100732097	THROTTLE BODY	1	
9	100055589-0006	SCREW M6X16	2	
10	100730334	OIL PIPE ASSY	1	
11	100124000-0001	IGNITION COIL	1	
12	100712360	OIL PUMP ASSY	1	

THROTTLE ASSY



Ref. No.	Part No.	Description	Quantity	
			V1	
1	39-1008-000	THROTTLE ASSY	1	
2	32-1011-000	PRESSURE OIL PIPE ASSY 2-A / 2-B	1	
3	39-1015-000	GASOLINE FILTER (FUEL FILTER)	1	
4	95201-06000-03	FLANGE NUT M6	2	
5	92101-06012-03	FLANGE BOLT M6X12	2	

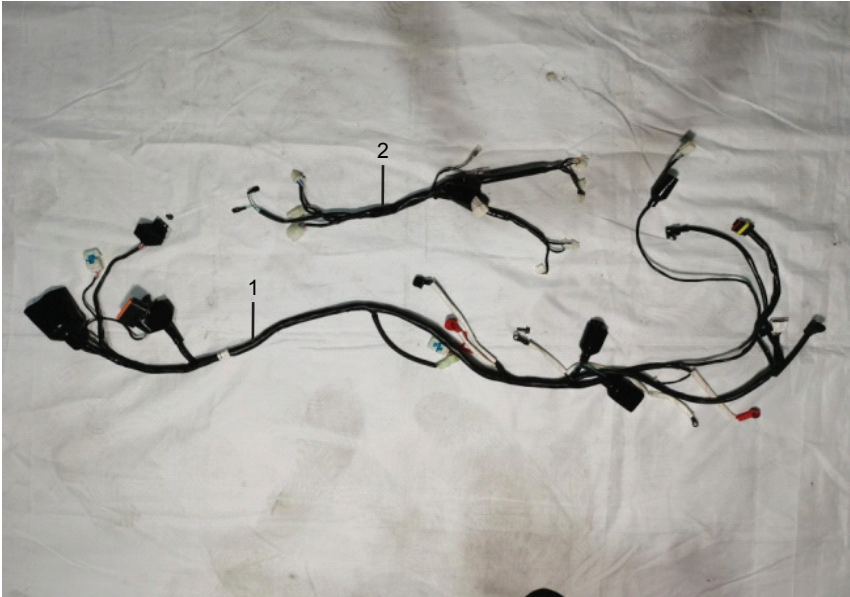
MUFFLER ASSY



Ref. No.	Part No.	Description	Quantity	
			V1	
1	39-8009-000	EXHAUST PIPE	1	
2	32-8009-003	MUFFLER SHIELD	1	
3	92201-10070-03	FLANGE BOLT M10X70	3	
4	95300-08000-03	CAP NUT M8X32	2	
5	95310-06000-03	HEXAGON SOCKET BOLT M6X18	2	
6	01-8009-005	GASKET EXHAUST PIPE	1	

MAIN HARNESS

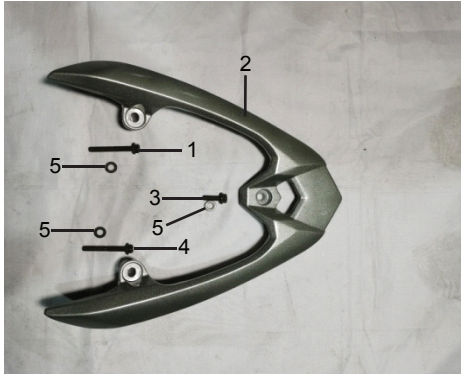
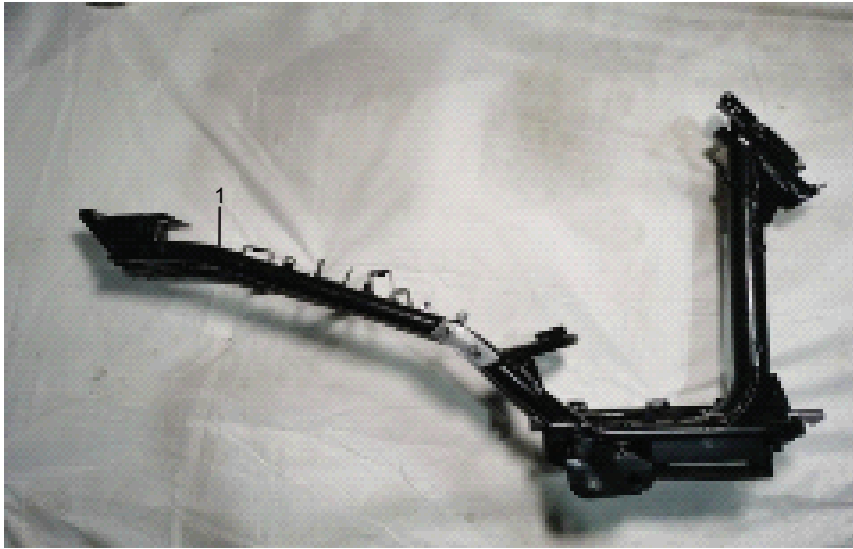
Ref. No.	Part No.	Description	Quantity	
			V1	
1	39-5009-000	MAIN CABLE/HARNESS	1	
2	39-5010-000	AUXILIARY CABLE	1	





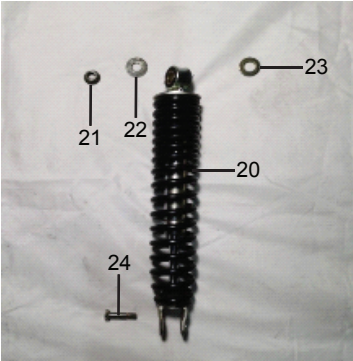
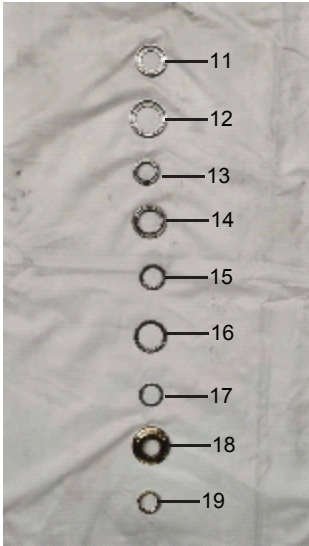
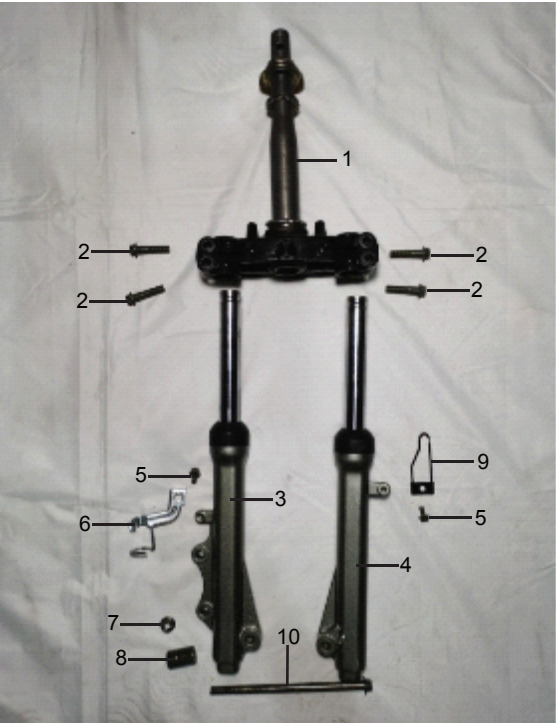
FRAME GROUP 4

FRAME



Ref. No.	Part No.	Description	Quantity	
			V1	
1	39-2000-000	FRAME	1	
2	22-8000-000	REAR ARMREST	1	
3	92201-08025-04	FLANGE BOLT M8X25	1	
4	92201-08060-03	FLANGE BOLT M8X60	2	
5	95801-08018-03	FLAT PAD DIA.8X18X1.5	3	

ABSORBER & STEERING PARTS



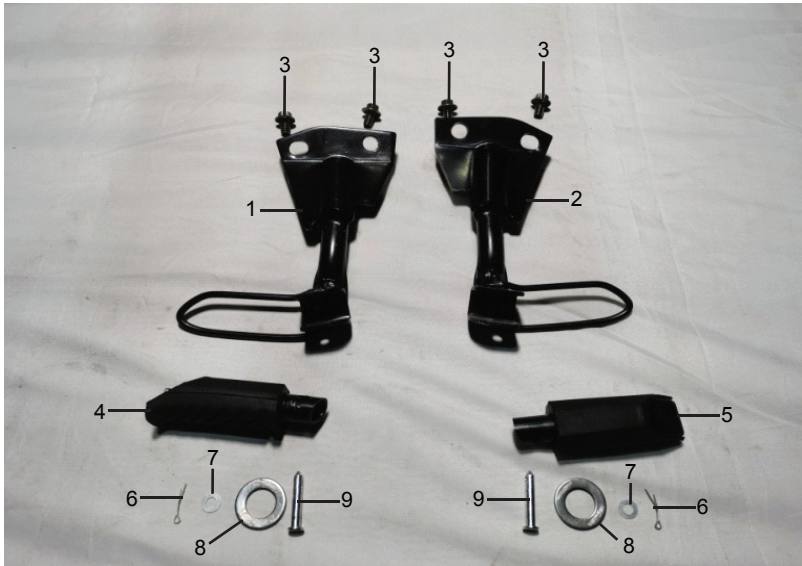
Ref. No.	Part No.	Description	Quantity	
			V1	
1	22-8003-000	STEERING REAR MASTER LEVER	1	
2	92201-10040-03	FLANGE BOLT M10X40	4	
3	16-8036-000	LEFT FRONT SHOCKABSOBER	1	
4	16-8035-000	RIGHT FRONT SHOCKABSOBER	1	
5	92101-06012-03	FLANGE BOLT M6X12	2	
6	39-7120-000	BRAKE HOSE BRACKET	1	
7	95401-10000-03	SELF LOCKING NUT M10	1	
8	22-9001-000	FRONT WHEEL BUSHING	1	
9	39-7121-000	MILEAGE LINE CLAMP	1	
10	92201-100185-03	FRONT AXLE M10X1885 BOLT	1	
11	10-6005-000	UPPER BALL SEAT	1	
12	10-6006-000	LOVER BALL SEAT	1	
13	10-6003-000	UPPER CONE	1	
14	10-6008-000	LOWER CONE	1	
15	10-6004-000	UPPER STEEL BALL	1	
16	10-6007-000	LOWER STEEL BALL	1	
17	01-6001-000	STEERING COLUMN FIXING NUTLOCK	1	
18	10-6010-000	STEERING COLUMN FIXXING NUT	1	
19	10-6009-000	STEERING HEAD RING	1	
20	39-8006-000	REAR SHOCK ABSORBER	1	
21	95401-10000-03	SELF LOCKING NUT M10	1	
22	95801-10025-03	FLAT PAD 10X25X2.0	1	
23	95801-12025-03	FLAT PAD 12X25X2.0	1	
24	92101-08032-03	OUTER HEXAGON BOLT M8X32	1	

ENGINE HANGER



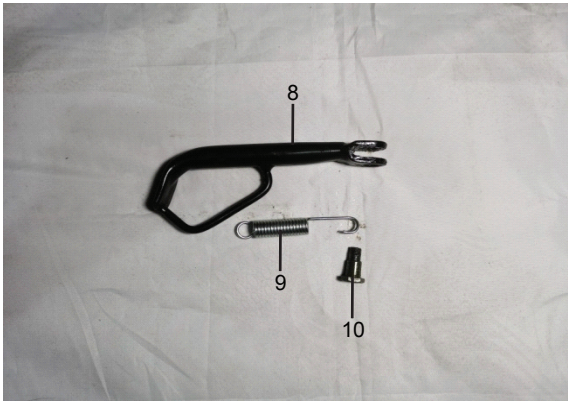
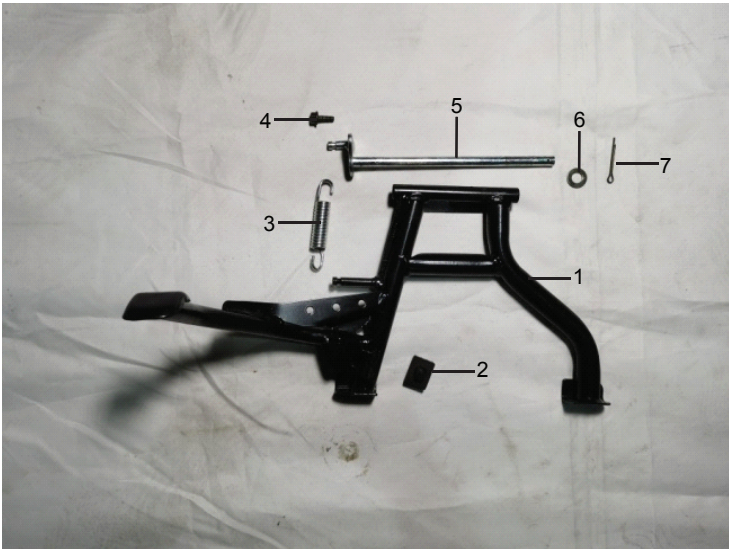
Ref. No.	Part No.	Description	Quantity		
			V1		
1	39-2004-000	ENGINE HANGER ASSY			1
2	92201-100235-03	BOLT M10X235			1
3	95401-10000-03	SELF LOCKING NUT M10			1
4	29-4010-000	ENGINE HANGER BUFFER RUBBER			2
5	92201-100270-03	BOLT M12X270			1
6	95401-12000-03	SELF LOCKING NUT M12			1

STEP PEDAL



Ref. No.	Part No.	Description	Quantity		
			V1		
1	39-2008-000	LEFT PEDAL BRACKET	1		
2	39-2009-000	RIGHT PEDAL BRACKET	1		
3	92101-08012-03	FLANGE BOLT M8X12	4		
4	16-8002-000	LEFT REAR PEDAL	1		
5	16-8001-000	RIGHT REAR PEDAL	1		
6	16-8003-000	PEDAL COTTER PIN	2		
7	16-8004-000	PEDAL SHAFT PIN GASKET	2		
8	16-8005-000	PEDAL GASKET	2		
9	16-8006-000	PEDAL SHAFT PIN	2		

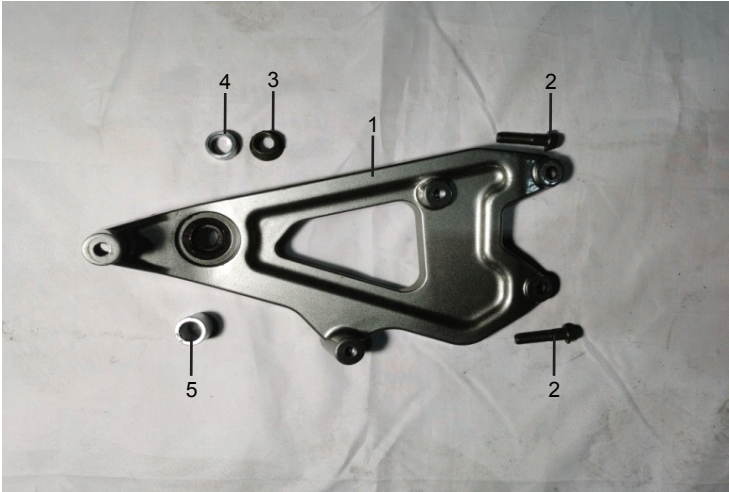
MAIN TRIPOD / SIDE STAND



Ref. No.	Part No.	Description	Quantity	
			V1	
1	39-2005-000	MAIN TRIPOD	1	
2	29-4009-000	MAIN TRIPOD BUFFER GLUE	1	
3	22-6200-000	MAIN TRIPOD SPRING	1	
4	92101-06016-03	FLANGE BOLT M6X16	1	
5	29-2008-000	LARGE SUPPORT SHAFT	1	
6	95801-10021-03	LARGE SUPPORT SHAFT GASKET	1	
7	54125-F8-9000	COTTER PIN	1	
8	39-2006-000	SIDE STAND	1	
9	92201-10025-03	SIDE STAND PIVOT BOLT	1	
10	22-6201-000	SIDE STAND SPRING	1	

CONNECTING PLATE (BRACKET MUFFLER)

Ref. No.	Part No.	Description	Quantity	
			V1	
1	39-8030-000	ALUMINIUM ALLOY CONN.PLATE	1	
2	92201-10040-03	FLANGE BOLT M10X40	2	
3	95502-16000-03	SELF LOCKING NUT M16	1	
4	39-8032-000	BUSHING 25X17.3X12	1	
5	39-8031-000	BUSHING 25X17.3X27	1	



FRONT PANEL BRACKET

Ref. No.	Part No.	Description	Quantity	
			V1	
1	39-2003-000	FRONT PANEL BRACKET	1	
2	92101-06050-03	FLANGE BOLT M6X50	2	
3	95201-06000-03	FLANGE NUT M6	2	
4	39-2007-000	ECU BRACKET	1	
5	92101-06012-03	FLANGE BOLT M6X12	1	

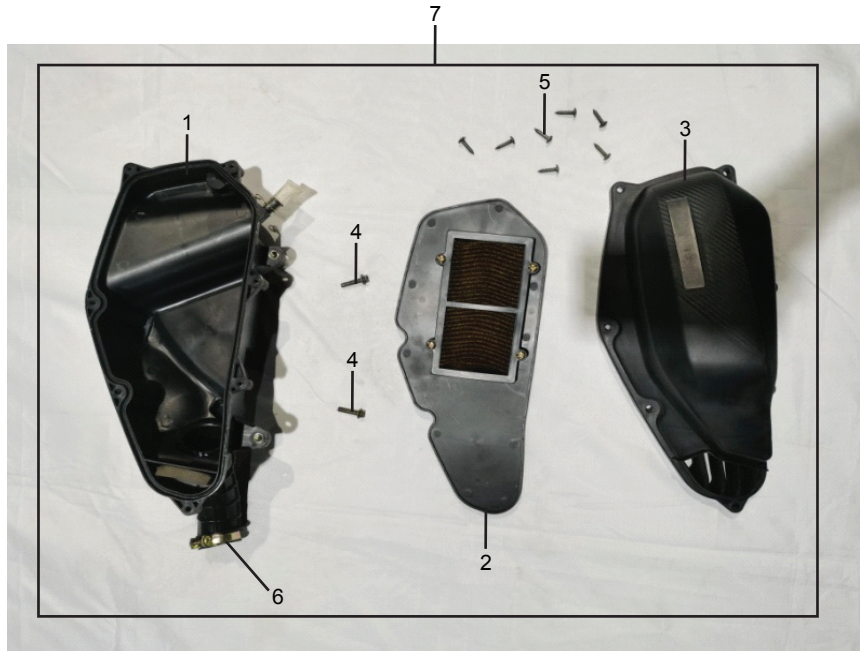


HANDELBAR / REAR VIEW MIRROR



Ref. No.	Part No.	Description	Quantity		
			V1		
1	39-8012-000	LEFT MIRROR			1
2	39-8013-000	RIGHT MIRROR			1
3	22-2001-000	DIRECTION HANDLE			1
4	16-5007-000	REAR BRAKE HANDLE ASSY			1
5	10-4001-000	LEFT RUBBER SLEEVE OF HANDLE			1
6	10-4000-000	THROTTLE PIPE ASSY			1
7	10-5008-000	GAS FIXING SEAT			1
8	22-4002-000	CLUMP WEIGHT			2
9	95401-10000-04	LOCK NUT M10			1
10	53125-F8-9000	LOCK EXPAND SLEEVE STEERING			1
11	92201-10050-03	FLANGE BOLT M10X50			1

AIR FILTER ASSY



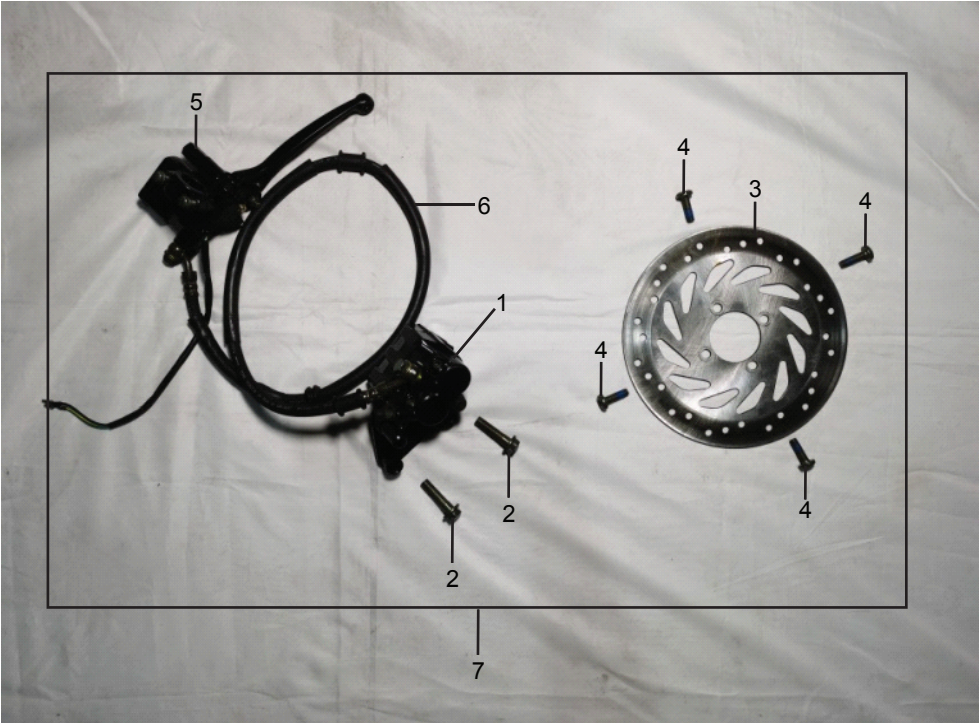
Ref. No.	Part No.	Description	Quantity	
			V1	
1	39-8011-001	AIR FILTER BOTTOM SHELL	1	
2	39-8011-002	AIR FILTER ELEMENT	1	
3	39-8011-003	AIR FILTER HOUSING	1	
4	92101-06025-04	GB/T5786 BOLT M6X25	2	
5	93401-48016-03	SELT TAPPING SCREW ST4.8X16	7	
6	39-8011-004	AIR FILTER CLAM	1	
7	39-8011-000	AIR FILTER ASSY	1	

TANK ASSY



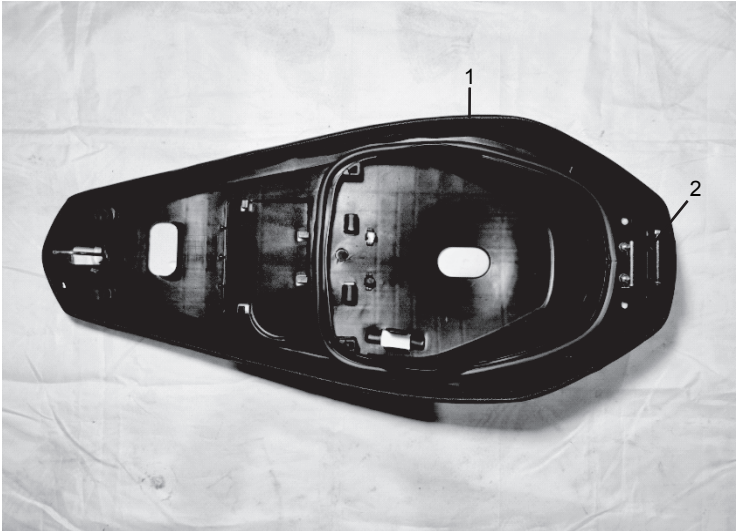
Ref. No.	Part No.	Description	Quantity		
			V1		
1	39-8007-000	TANK	1		
2	39-3035-000	TANK COVER	1		
3	39-1009-000	INNER OIL PUMP ASSY	1		
4	15-8008-000	CAP TANK	1		
5	39-1009-001	OIL PUMP SEAL SEAL RING	1		
6	39-1009-002	OIL PUMP PRESSING PLATE	1		
7	92101-05012-03	FLANGE BOLT M5X12	6		
8	22-4020-000	OVERFLOW PIPE	1		
9	92101-06016-05	HEX FLANGE BOLT+GASKET M6X16	4		

FRONT BRAKE



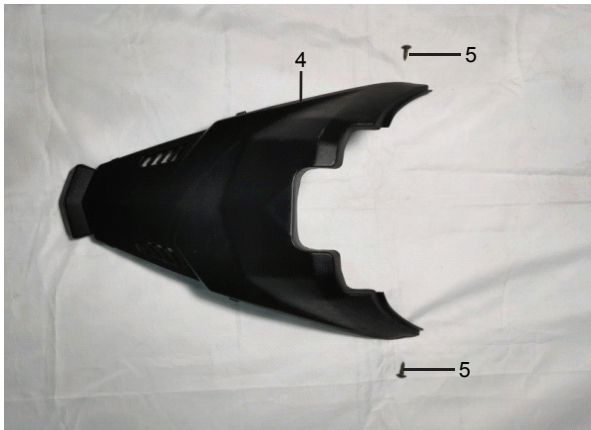
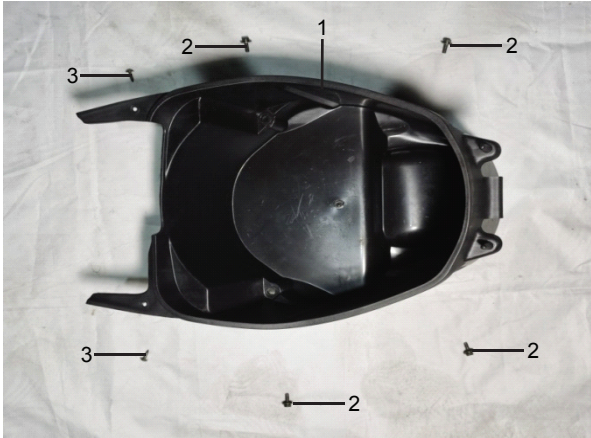
Ref. No.	Part No.	Description	Quantity	
			V1	
1	39-7100-001	FRONT DISC BRAKE LOWER PUMP	1	
2	92201-10038-03	FLABGE BOLT M10X38	2	
3	39-7122-000	DISC BRAKE DISC	1	
4	92201-08025-03	HEXAGON SOCKET BOLT M8X25	4	
5	39-7100-002	FRONT DISC BRAKE UPPER PUMP	1	
6	39-7100-003	FRONT DISC BRAKE OIL PIPE	1	
7	39-7100-000	FRONT DISC BRAKE ASSY	1	

SEAT & LOCK ASSY



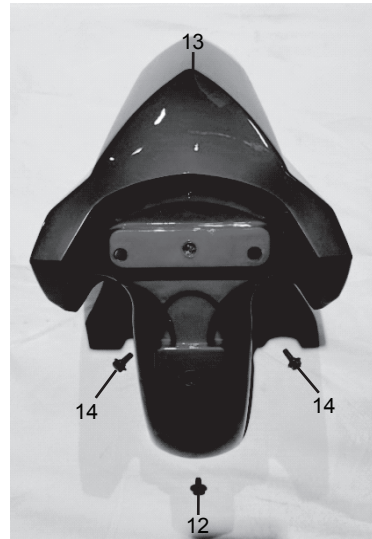
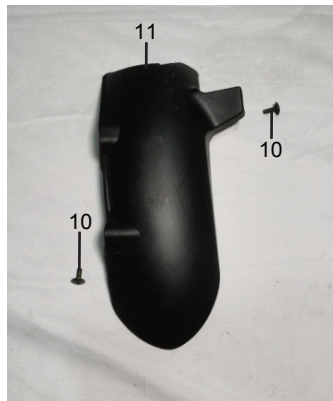
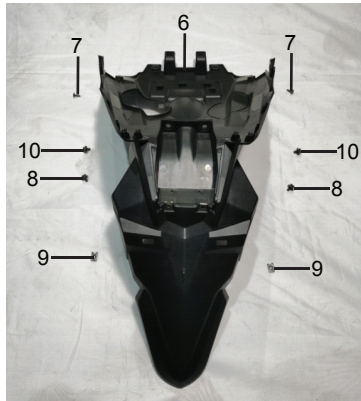
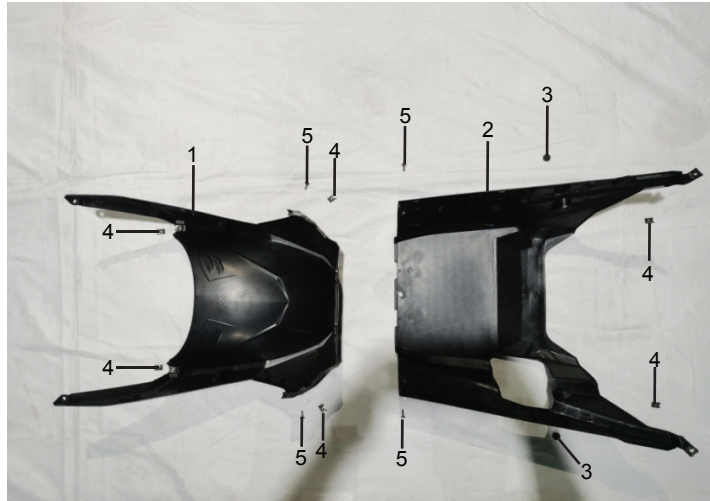
Ref. No.	Part No.	Description	Quantity	
			V1	
1	22-8014-000	SEAT CUSHION ASSY	1	
2	16-8014-004	SEAT CUSHION ROCKER ARM ASSY	1	
3	22-5019-000	SLEEVE LOCK ASSY	1	
4	92101-06016-03	FLANGE BOLT M6X16	2	
5	32-5019-003	SEAT CUSHION LOCK PLATE	1	
6	92101-06012-03	FLANGE BOLT M6X12	2	

MIDDLE GOODS CASE



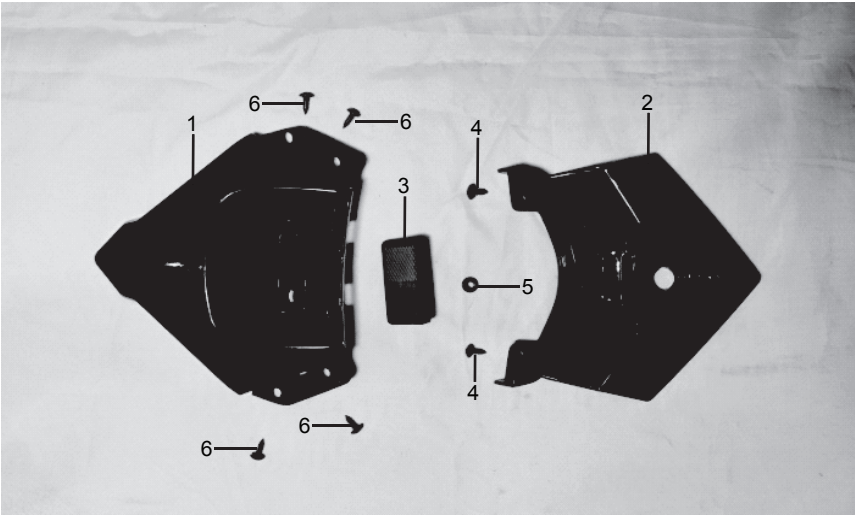
Ref. No.	Part No.	Description	Quantity	
			V1	
1	39-3016-000	GOODS CASE/BOX		1
2	92101-06016-05	HEX FLANGE BOLT M6X16		4
3	93401-48016-03	SELF TAPPING SCREW ST4.8X16		2
4	22-3021-000	CUSHION FRONT WALL		1
5	93401-48012-03	SELF TAPPING SCRE ST4.8X12		2

FENDER FRONT & REAR



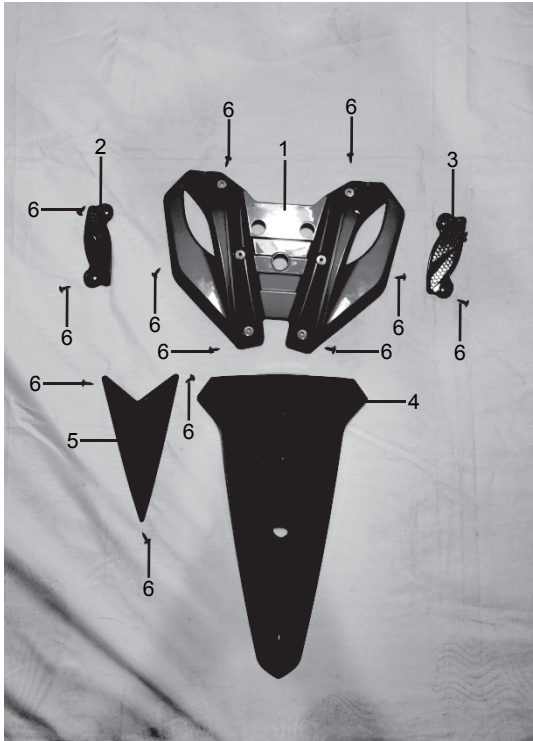
Ref. No.	Part No.	Description	Quantity	
			V1	
1	22-3100-000	FRONT LOWER MUDGUARD	1	
2	22-3012-000	SEDIMENT BOARD	1	
3	92101-06012-03	HEX BOLT WITH GASKET M6X12	2	
4	93401-50000-02	SELF TAPPING CLIP ST4.8	6	
5	93401-48016-03	SELF TAPPING SCREW ST4.8X16	4	
6	31-3070-000	REAR MUDGUARD	1	
7	93401-48016-03	SELF TAPPING SCREW ST4.8X16	2	
8	92101-06012-03	HEX BOLT WITH GASKET M6X12	2	
9	93401-50000-02	SELF TAPPING CLIP ST4.8	2	
10	93201-05016-02	CROSSING FLAT HEAD BOLT M6X16	4	
11	16-3031-000	REAR INNER MUD PLATE	1	
12	92101-06016-03	HEX FLANGE BOLT WITH GASKET	1	
13	22-3002-001	FRONT MUDGUARD (RED)	1	
	22-3002-002	FRONT MUDGUARD (GOLD)	1	
	22-3002-003	FRONT MUDGUARD (ACQUA CYAN)	1	
14	92101-06016-03	FLANGE STEP BOLT M6X16	2	

CENTER COVER REAR



Ref. No.	Part No.	Description	Quantity	
			V1	
1	22-3003-000	REAR CENTER COVER		1
2	31-3045-000	REAR TAIL LAMP COVER		1
3	39-3042-000	REAR REFLECTOR		1
4	93401-48016-03	SELF TAPPING SCREW ST4.8X16		2
5	95201-06000-03	FLANGE NUT M6		1
6	93401-42012-03	SELF TAPPING SCREW ST4.2X12		4

FRONT PENAL DECORATION



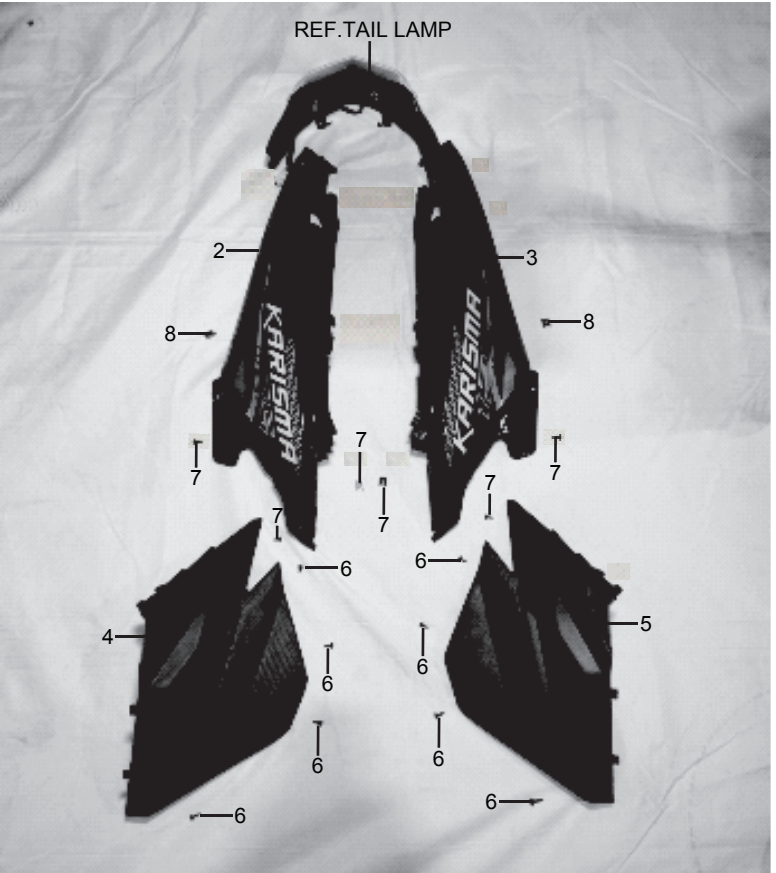
Ref. No.	Part No.	Description	Quantity	
			V1	
1	31-3041-001	FRONT PANEL DECO (RED)	1	
	31-3041-002	FRONT PANEL DECO (GOLD)	1	
	31-3041-003	FRONT PANEL DECO (ACQUA CYAN)	1	
2	31-3043-000	FRONT RH VENTILATION GRID	1	
3	31-3042-000	FRONT LH VENTILATION GRID	1	
4	31-3005-000	FRONT UPPER COVER	1	
5	31-3040-000	FRONT UPPER COVER DECO PART	1	
6	93401-42012-03	SELF TAPPING SCREW ST4.2X12	13	

FRONT WALL ASSY



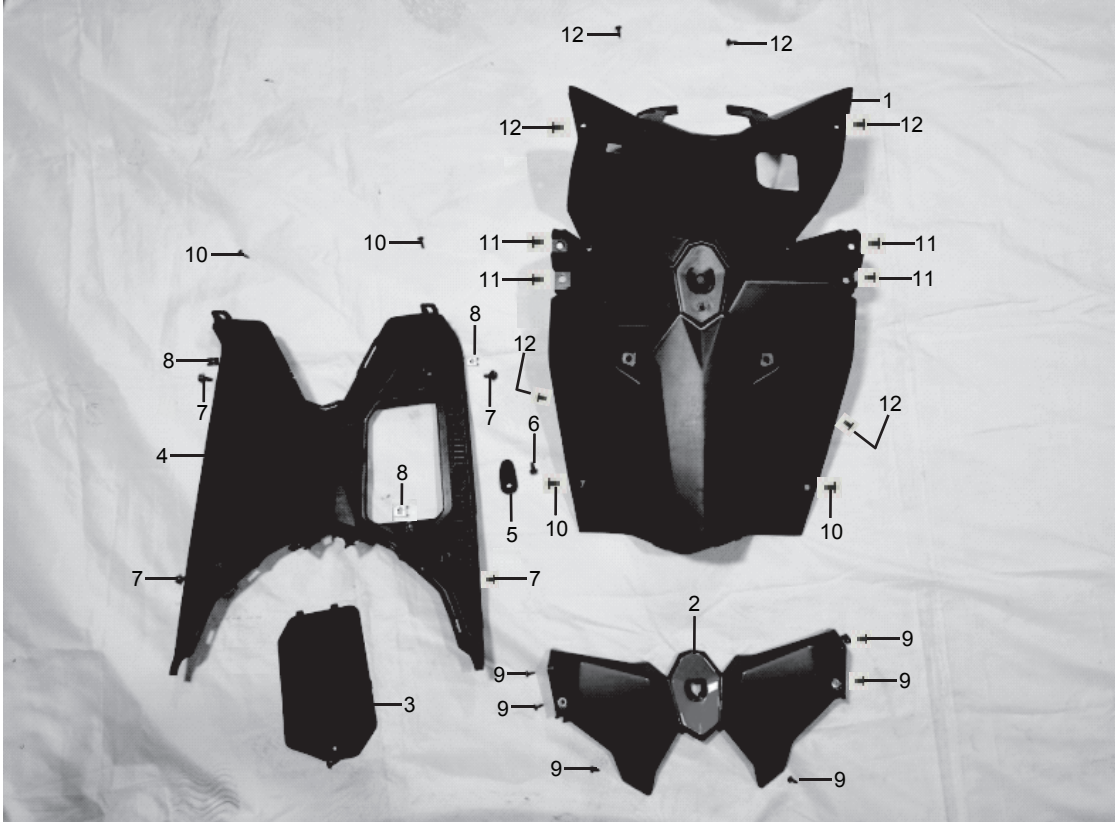
Ref. No.	Part No.	Description	Quantity	
			V1	
1	31-3004-001	FRONT PANEL (RED)	1	
	31-3004-002	FRONT PANEL (GOLD)	1	
	31-3004-003	FRONT PANEL (ACQUA CYAN)	1	
2	31-3023-001	FRONT RH PANEL (RED)	1	
	31-3023-002	FRONT RH PANEL (GOLD)	1	
	31-3023-003	FRONT RH PANEL (ACQUA CYAN)	1	
3	31-3022-001	FRONT LH PANEL (RED)	1	
	31-3022-002	FRONT LH PANEL (GOLD)	1	
	31-3022-003	FRONT LH PANEL (ACQUA CYAN)	1	
4	31-3030-000	HEAD LAMP LOWER COVER	1	
5	31-3044-001	HEAD LAMP LOWER COVER CONN. PARTS (RED)	1	
	31-3044-002	HEAD LAMP LOWER COVER CONN. PARTS (GOLD)	1	
	31-3044-003	HEAD LAMP LOWER COVER CONN. PARTS (ACQUA CYAN)	1	
6	93401-42012-03	SELF TAPPING SCREW ST4.2X12	9	
7	93401-50000-02	SELF TAPPING CLIP ST4.8	6	

BODY COVER



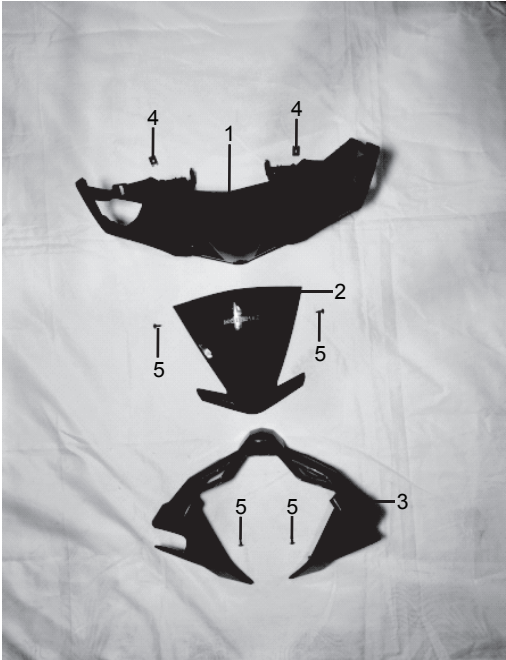
Ref. No.	Part No.	Description	Quantity	
			V1	
1	31-3201-000	TAIL LAMP ASSY		1
2	22-3001-000	RH BODY COVER		1
3	22-3000-000	LH BODY COVER		1
4	22-3016-000	RH SIDE BODY COVER		1
5	22-3014-000	LH SIDE BODY COVER		1
6	93401-42012-03	SELF TAPPING SCREW ST4.2X12		8
7	93401-48012-03	SELF TAPPING SCREW ST4.8X12		6
8	93401-50000-02	SELF TAPPING CLIP ST4.8X16		2

STORAGE BOX / FOOT PEDAL



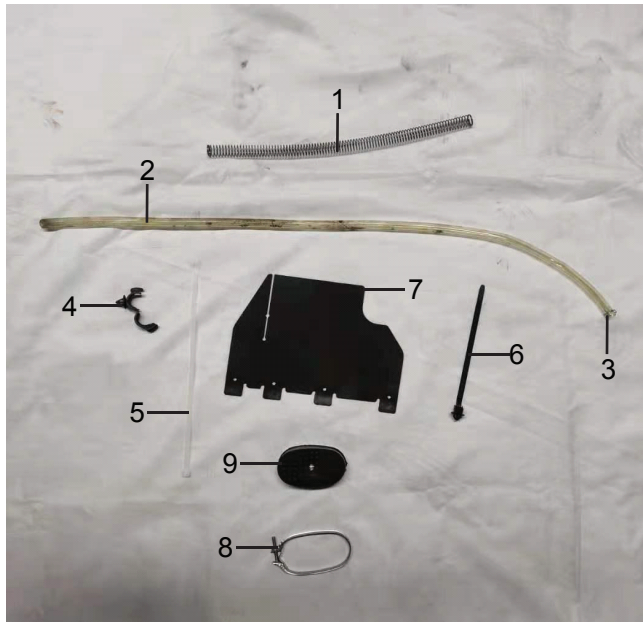
Ref. No.	Part No.	Description	Quantity	
			V1	
1	22-3011-000	STORAGE BOX	1	
	22-3006-001	STORAGE BOX DECO COVER (RED)	1	
2	22-3006-002	STORAGE BOX DECO COVER (GOLD)	1	
	22-3006-003	ST.BOX DECO COVER (ACQUA CYAN)	1	
3	22-3028-000	BATTERY COVER	1	
4	22-3080-000	PEDAL	1	
5	16-3017-000	HELMET HOOK	1	
6	92101-06012-03	FLANGE BOLT M6X12	1	
7	92101-06016-03	HEX BOLT WITH GASKET M6X16	4	
8	93401-50000-02	SELF TAPPING CLIP ST4.8X16	3	
9	93401-42012-03	SELF TAPPING SCREW ST4.2X12	6	
10	93401-48012-03	SELF TAPPING SCREW ST4.8X12	4	
11	93401-48019-03	SELF TAPPING SCREW ST4.8X19	4	
12	93401-48016-03	SELF TAPPING SCREW ST4.8X16	3	

HANDLE COVER FRONT



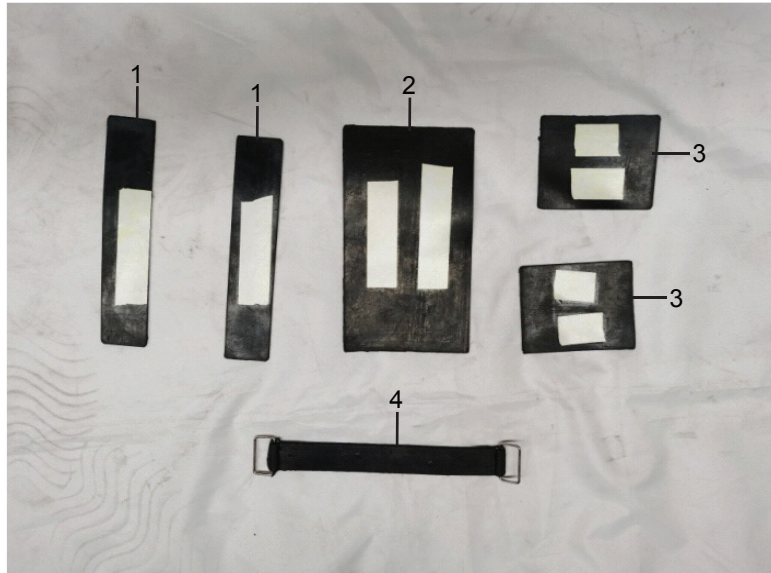
Ref. No.	Part No.	Description	Quantity	
			V1	
1	31-3007-000	HANDLE COVER FRONT	1	
2	31-3008-000	HANDLE COVER UPPER	1	
3	31-3010-001	INST. UPPER COVER (RED)	1	
	31-3010-002	INST. UPPER COVER (GOLD)	1	
	31-3010-003	INST. UPPER COVER (ACQUA CYAN)	1	
4	93401-50000-02	SELF TAPPING CLIP ST4.8	2	
5	93401-42012-03	SELF TAPPING SCREW ST4.2X12	4	

ATTACHEMENT 1



Ref. No.	Part No.	Description	Quantity	
			V1	
1	39-4003-000	CYLINDER HEAD HIGH TEMP.SPRING	1	
2	22-4020-000	OVERFLOW PIPE	1	
3	22-4021-000	OVERFLOW PIPE WIRE SNAP RING	1	
4	39-4004-000	PLASTIC HOOP	2	
5	01-4008-000	BANDAGE	5	
6	32-4028-000	AIRCRAFT HEAD TIE	10	
7	16-4015-000	REAR WATER BAFFLE	1	
8	39-4008-000	ENGINE PLUG HOOP	1	
9	39-4005-000	BUFFER RUBBER PAD 150X30X1.5	1	

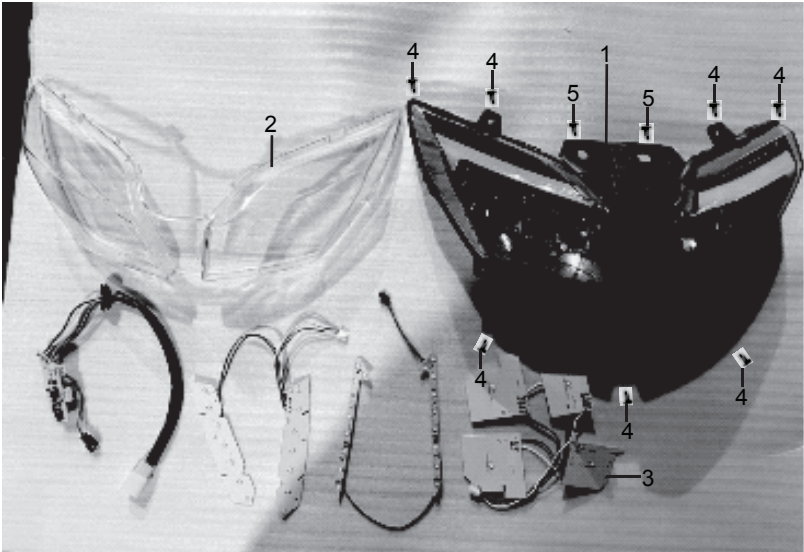
ATTACHMENT 1



Ref. No.	Part No.	Description	Quantity	
			V1	
1	39-4016-000	BUFFER RUBBER PAD 150X30X1.5	2	
2	39-4020-000	BUFFER RUBBER PAD 150X85X1.5	1	
3	39-4021-000	BUFFER RUBBER PAD 75X60X1.5	2	
4	22-4017-000	BATTERY STRAP	1	

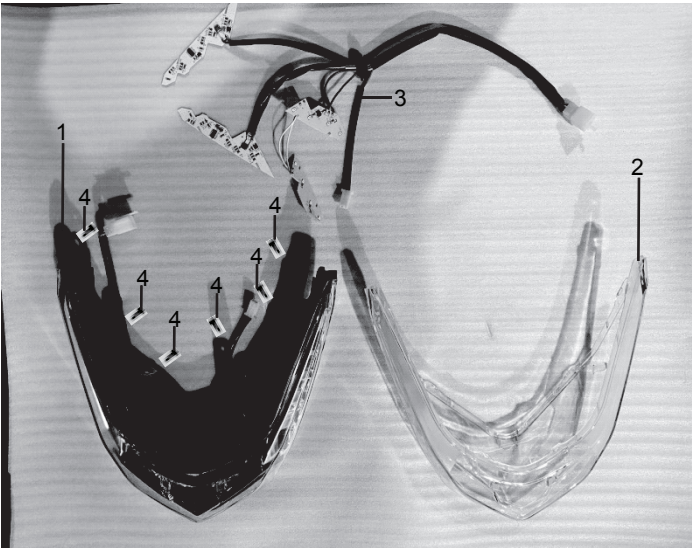
HEADLIGHT ASSY

Ref. No.	Part No.	Description	Quantity	
			V1	
1	31-3200-000	FRONT LAMP ASSY	1	
2	31-3201-000	HEADLAMP COVER	1	
3	31-3202-000	LED CIRCUIT BOARD	1	
4	93401-42012-03	SELF TAPPING SCREW ST4.2X12	7	
5	92101-06012-03	FLANGE BOLT M6X12	2	



REAR LAMP ASSY

Ref. No.	Part No.	Description	Quantity	
			V1	
1	31-3201-000	TAIL LAMP ASSY	1	
2	31-3202-000	TAIL LAMP SHADE	1	
3	31-3203-000	LED CIRCUIT BOARD	1	
4	93401-42012-03	SELF TAPPING SCREW ST4.2X12	6	

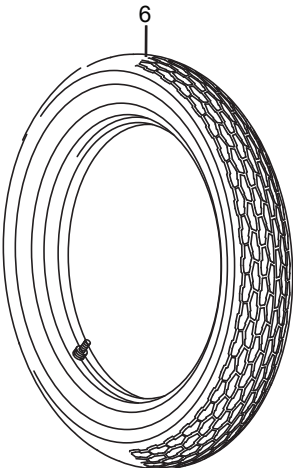
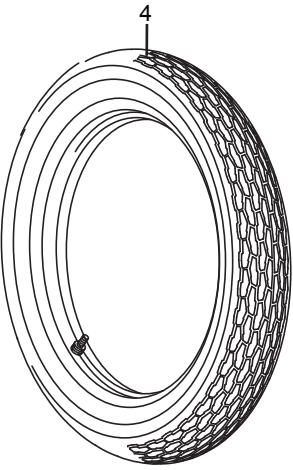


CONTROL CABLE



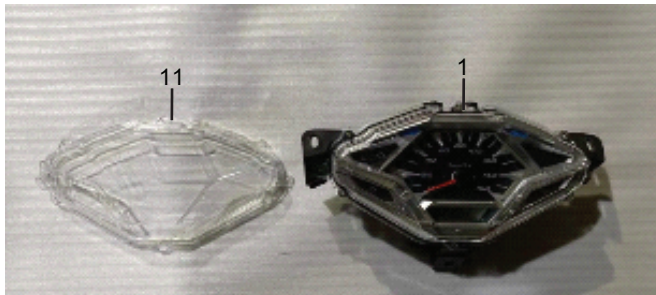
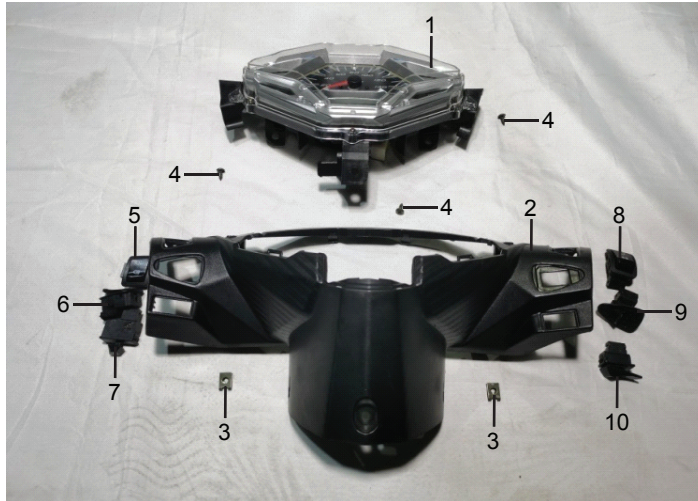
Ref. No.	Part No.	Description	Quantity		
			V1		
1	39-6101-000	THROTTLE CABLE			1
2	39-6102-000	REAR BRAKE CABLE			1
3	16-6103-000	SEAT CUSHION CABLE			1
4	01-6100-000	SPEEDOMETER CABLE			1
5	01-7010-000	ODOMETER COUNTER			1
6	39-1007-000	OXYGEN SENSOR			1

RIM FRONT / REAR



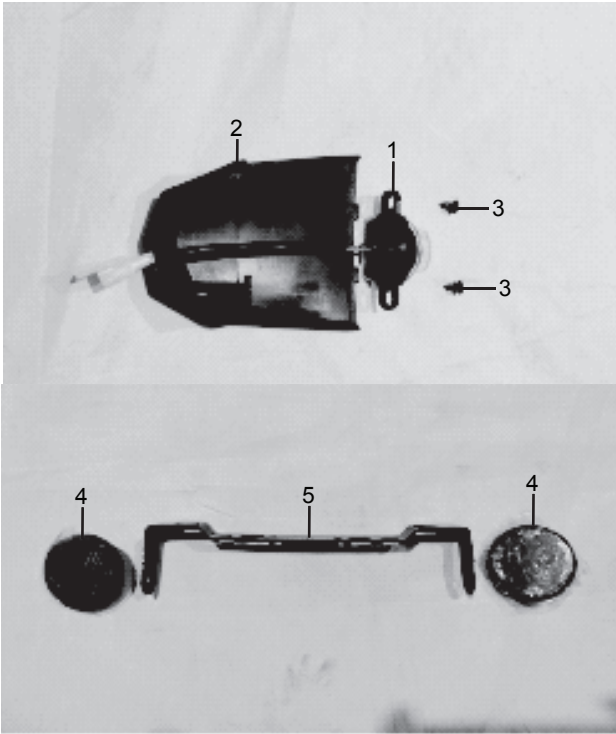
Ref. No.	Part No.	Description	Quantity	
			V1	
1	22-7000-000	WHEEL FRONT ASSY		1
2	22-7001-000	BEARING WHEEL FRONT		2
3	22-7002-000	OIL SEAL WHEEL FRONT		1
4	41009-412-0052	TIRE FRONT		1
5	29-7003-000	WHEEL REAR ASSY		1
6	4100-412-0051	TIRE REAR		1

METER / REAR HANDLE COVER



Ref. No.	Part No.	Description	Quantity		
			V1		
1	39-3205-000	INSTRUMENT ASSY			1
2	22-3009-000	HANDLE COVER REAR			1
3	93401-50000-02	SELF TAPPING CLIP ST4.8			2
4	93401-48012-03	SELF TAPPING SCREW ST4.8X12			3
5	04-5004-000	HIGH AND LOW LIGHT SWITCH			1
6	04-5002-000	HORN SWITCH			1
7	04-5001-000	DIRECTIONAL SWITCH			1
8	16-5027-000	ENGINE STOP SWITCH			1
9	04-5000-000	DOUBLE FLASH SWITCH			1
10	04-5003-000	IGNITION SWITCH			1
11	39-3206-000	LENS METER			1

LICENSE PLATE LAMP & SIDE REFLECTOR



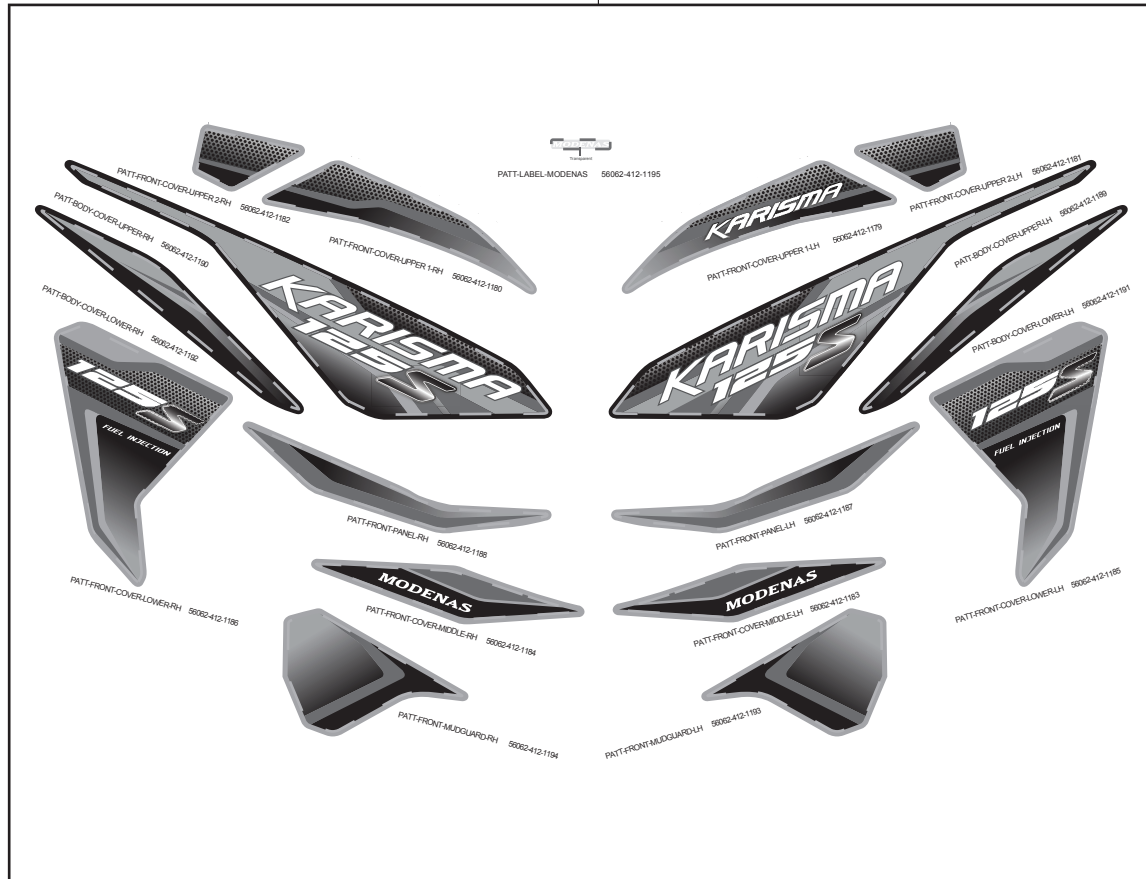
Ref. No.	Part No.	Description	Quantity	
			V1	
1	22-3206-000	REAR LICENSE PLATE LAMP ASSY	1	
2	31-3013-000	REAR LICENSE PLATE LAMP BRACKET	1	
3	93401-49012-03	SELF TAPPING SCRE ST4.8X12	2	
4	32-3050-000	SIDE REFLECTOR	2	
5	32-2012-000	REAR LICENSE PLATE BRACKET	1	



DECALS GROUP 5

PATTERNS

1 / 2 / 3



Ref. No.	Part No	Description	Quantity	
			V1	
1	40181-412-0149KRQ	PATTERN-SET COLOUR RED	1	
2	40181-412-0150KCQ	PATTERN-SET COLOUR CYAN	1	
3	40181-412-0151KGD	PATTERN-SET COLOUR GOLD	1	

PART NO. GROUP 6

PART-NO AND DESCRIPTION (ENGINE)

NO	PART-NO	DESCRIPTION	GRID NO
1	100010556	PIN 10X12	E04
2	100010556	PIN 10X12	E06
3	100010676	BEARING 6201	E09
4	100011080	RETAINING RING 32	E08
5	100051009	OIL PLUG ASSY	E06
6	100068731	OIL GUIDING PIPE	E07
7	100070779	TIMING DRIVEN SPROCKET	E03
8	100071062	REAR BRAKE PAD	E09
9	100071064	LEVER BRAKE CAM SLEEVE	E09
10	100071526	BEARING 6301 P6	E06
11	100072827	WASHER 10.2X1X18	E10
12	100074895	WASHER	E03
13	100081654	O-RING	E16
14	100087294	CYLINDER STUD BOLT A	E06
15	100087806	O-RING 7.5X1.5	E09
16	100087807	PIN FOR JAWS FULCRUM	E09
17	100100040	SPRING OIL FILTER STRAINER	E07
18	100100304	CYLINDER STUD BOLT B	E07
19	100100487	BOLT M5X12	E03
20	100100518	LOCK NUT CLUTCH	E11
21	100100580	CHECK RING PISTON PIN	E05
22	100100594	CIRCLIP	E10
23	100100601	ELASTIC CHECK RING DIA.20	E06
24	100100866	DOWEL PIN 8X106.3	E07
25	100100868	DOWEL PIN 8X14X6.3	E06
26	100100868	DOWEL PIN 8X14X6.3	E08
27	100100951	BEARING 6304 C3	E06
28	100100954	BEARING 6302 C3	E06
29	100102806	TEMPERATURE SENSOR	E03
30	100103009	BOTTOM BUSH RR DAMPER	E06
31	100103241	REDUCTION SHAFT SLEEVE	E06
32	100103241	REDUCTION SHAFT SLEEVE	E13
33	100104154	SPARK PLUG	E03
34	100104795	OIL SEAL	E06
35	100104853	OIL FILTER	E06
36	100104943	STRINER OIL FILTER	E07
37	100104984	STOP PLATE CAMSHAFT	E07
38	100105107	SPROKET CHAIN	E04
39	100105305	SPRING SEAT	E03
40	100105320	VALVE LOCKER	E03

NO	PART-NO	DESCRIPTION	GRID NO
41	100105334	SEAL VALVE STEM	E03
42	100106320	WASHER 12.2X2.5X24	E05
43	100106320	WASHER 12.2X2.5X24	E11
44	100106374	WASHER 6.2X1X18	E03
45	100106425	WASHER 16.1X1X24	E10
46	100106538	WASHER 6.2X1.5X13	E02
47	100106545	WASHER 5.2X1.8X16	E06
48	100106548	WASHER 12.1X2X20	E07
49	100107742	O-RING 29.6X3.2	E07
50	100108526	PIN 6X12	E04
51	100129381	ROTOR ASSY MAGNETO	E05
52	100133143	PRESSURE CAP OF FUEL INJECTION	E16
53	100143859	CRANKSHAFT CONN-ROD ASSY	E05
54	100143861	BEARING	E06
55	100143975	INTAKE VALVE	E03
56	100143983	EXHAUST VALVE	E03
57	100144099	EFI BUFFER BLOCK	E11
58	100144124	START DISH	E11
59	100144125	PISTON	E05
60	100144126	PIN PISTON	E05
61	100144507	SHROUND COMP TOP	E14
62	100144508	SHROUND COMP BOTTOM	E14
63	100144509	FAN COVER ASSY	E14
64	100145602	CYLINDER HEAD SEALING RING	E14
65	100145674	DRIVEN PULLEY SHAFT	E12
66	100145675	COUNTER SHAFT ASSY	E12
67	100145912	STARTING RATCHET	E10
68	100145930	STOP PLATE DEFLECTOR	E08
69	100145956	GASKET OF INLET PIPE	E16
70	100146014	INNER VALVE SPRING	E03
71	100146016	OUTER VALVE SPRING	E03
72	100146017	VALVE SPRING LOWER SEAT RING	E03
73	100146021	ROCKER SHAFT	E03
74	100146031	ROCKER ARM	E03
75	100146032	ROCKER ARM	E03
76	100146072	GAM SHAFT COMP	E03
77	100146080	OVERRUNNING CLUTCH COVER	E13
78	100146136	TENSION PLATE ASSY	E04
79	100146178	SLIDING BLOCK	E04
80	100146181	SEAL RING OF UPPER CYL. HEAD	E02

PART-NO AND DESCRIPTION (ENGINE)

NO	PART-NO	DESCRIPTION	GRID NO
81	100146254	PAPER GASKET	E02
82	100146258	INN. CVR PLATE CYL. HEAD COVER	E02
83	100146461	KICK STARTING SHAFT ASSY	E10
84	100146760	SPEED SENSOR HOUSING	E14
85	100146951	OIL PUMP ASSY	E07
86	100146953	OIL PUMP COVER	E07
87	100147011	OIL RULER ASSY	E07
88	100147078	COOLING FAN ASSY	E11
89	100147308	GASKET FRONT PART /CRANKCVR	E08
90	100147309	CYL.HEAD BLOCK GASKET	E04
91	100147310	GASKET CRANKCASE	E06
92	100147314	SUPPORT FRAME SLEEVE	E06
93	100147314	SUPPORT FRAME SLEEVE	E07
94	100147333	BRAKE PARKING LEVER	E09
95	100147341	O-RING 64X2..65	E07
96	100147342	BEARING PRESSURE PLATE	E06
97	100147345	AIR VENT COVER	E08
98	100147348	TENSION PLATE BOLT	E06
99	100147486	OIL SEAL BAFFLES	E06
100	100147743	START UP BAR COMP	E10
101	100147908	GASKET	E06
102	100148021	CLIP ASSY	E14
103	100148050	DRAW ARM	E09
104	100148095	DAMPING RUBBER LINING	E13
105	100148228	BRAKE SHAFT OIL SEAL	E09
106	100148281	GASKET TRANSMISSION CASE	E06
107	100148312	FINAL SHAFT OIL SEAL	E09
108	100148435	GASKET ASSY CYL.HEAD	E03
109	100148757	ASSEMBLY OVERRUNNING CLUTCH	E13
110	100149749	RIGHT CRANK	E09
111	100149908	DRIVE PULLEY COMPONENTS	E11
112	100149909	DRIVE TRIANGLE BELT COMBINATION	E11
113	100149911	BEARING	E08
114	100149912	OIL RING ASSY	E05
115	100149913	PISTON RING II	E05
116	100149914	PISTON RING I	E05
117	100160368	OIL SEAL 19.8X30X7	E07
118	100162704	BEARING 6301X2	E09
119	100201898	RETURN SPRING, KICK ST.SHAFT	E08
120	100205985	PIPE ASSY	E02

NO	PART-NO	DESCRIPTION	GRID NO
121	100206035	RUBBER BUSH ENGINE HANGER	E06
122	100206035	RUBBER BUSH ENGINE HANGER	E07
123	100208741	GASKET TENSIONER	E04
124	100208911	GASKET	E02
125	100300384	O-RING 38.6X2.6	E06
126	100301783	BUFFER	E08
127	100712360	OIL PUMP ASSY	E16
128	100716789	WIRE KEEP BOARD	E07
129	100716790	CLAMP BRAKE WIRE	E08
130	100719484	FUEL INJECTION	E16
131	100720811	COOLING FAN ASSY	E05
132	100721376	O-RING 15.2X1.5	E06
133	100722791	PIPE ASSY	E09
134	100722792	PIPE CLAMP	E09
135	100724986	MOVING BELT WHEEL COMBINATION	E11
136	100726391	INLET PIPE	E16
137	100727707	FINAL SHAFT	E12
138	100730334	OIL PIPE ASSY	E16
139	100732097	THROTTLE BODY	E16
140	100747318	CLAMP BRAKE WIRE	E08
141	100751852	EFI CENTRIFUGAL ROLLER(weight 12g	E11
142	1007290048	BEARING	E08
143	01-5015-000	START MAGNETIC SWITCH	E15
144	01-5017-000	FLASHER	E15
145	01-8009-005	GASKET EXHAUST PIPE	E18
146	100010952-0001	SCREW M5X8	E02
147	100010952-0001	SCREW M5X8	E08
148	100011168-0003	BOLT M5X12	E07
149	100011176-0001	BOLT M6X30	E07
150	100011261-0004	BOLT M6X12	E02
151	100011261-0004	BOLT M6X12	E06
152	100011261-0004	BOLT M6X12	E06
153	100011265-0003	BOLT M6X18	E05
154	100011265-0003	BOLT M6X18	E07
155	100011270-0002	BOLT M6X30	E13
156	100011270-0002	BOLT M6X30	E14
157	100011271-0003	BOLT M6X35	E06
158	100011273-0003	BOLT M6X40	E06
159	100011276-0003	BOLT M6X55	E07
160	100011281-0001	BOLT M6X80	E07

PART-NO AND DESCRIPTION (ENGINE)

NO	PART-NO	DESCRIPTION	GRID NO
161	100011282-0001	BOLT M6X85	E07
162	100011284-0003	BOLT M6X100	E03
163	100011288-0002	BOLT M6X120	E07
164	100011453-0003	NUT M8	E03
165	100011453-0003	NUT M8	E09
166	100011518-0001	BOLT M5X12	E07
167	100011527-0001	BOLT M6X8	E09
168	100011534-0002	BOLT M6X25	E14
169	100011537-0002	BOLT M6X35	E08
170	100011569-0001	BOLT M8X25	E10
171	100031848-0002	SCRE M5X16	E14
172	100031956-0002	BOLT M6X15	E07
173	100033038-0002	BOLT M6X32	E09
174	100033088-0005	BOLT M6X85	E08
175	100033101-0002	BOLT M8X12	E06
176	100055587-0006	BOLT M6X28	E07
177	100055588-0006	BOLT M6X20	E04
178	100055588-0006	BOLT M6X20	E14
179	100055589-0006	BOLT M6X16	E06
180	100055589-0006	BOLT M6X16	E14
181	100055589-0006	BOLT M6X16	E14
182	100055589-0006	SCREW M6X16	E16
183	100055591-0006	BOLT M6X12	E03
184	100055591-0006	SCREW M6X12	E16
185	100087291-0001	BOLT M6X35	E03
186	100100331-0006	OIL DRAIN PLUG	E07
187	100100408-0002	BOLT	E02
188	100100515-0002	LOCK NUT CLUTCH	E05
189	100100546-0001	NUT M14X1.5	E11
190	100100564-0001	BOLT M6X50	E03
191	100102869-0003	COVER VALVE CHAMBER	E07
192	100108552-0002	CHAIN TENSIONER WHEEL	E04
193	10011270-0002	BOLT M6X30	E06
194	100124000-0001	IGNITION COIL	E16
195	100129380-0003	STATOR ASSY MAGNETO	E07
196	100143328-0002	CYL.HEAD BLOCK ASSEMBLY	E04
197	100143332-0002	CYL.HEAD ASSEMBLY	E03
198	100145735-0001	TRANSMISSION CASE ASSY	E09
199	100145959-0002	HEAD COVER ASSEMBLY	E02
200	100146217-0002	CAP OIL FILTER	E06

NO	PART-NO	DESCRIPTION	GRID NO
201	100147013-0002	STARTING MOTOR ASSY	E13
202	10043330-0002	RIGHT CRANKCASE ASSY	E07
203	10043331-0002	LEFT CRANKCASE ASSY	E06
204	100712696-0001	OXYGEN SENSOR	E16
205	100734976-0002	FRONT PART L.CRANKCASE CVR	E08
206	24-5030-000	USB CHARGER INTERFACE	E15
207	26012-412-0023	BATTERY	E15
208	32-1011-000	PRESSURE OIL PIPE ASSY 2-A / 2-B	E17
209	32-5010-000	EFI RELAY	E15
210	32-8009-003	MUFFLER SHIELD	E18
211	39-1000-000	ENGINE ASSEMBLY	E01
212	39-1005-000	ECU	E15
213	39-1006-000	CYL. HEAD TEMP. SENSOR	E01
214	39-1008-000	THROTTLE ASSY	E17
215	39-1010-000	HIGH PRESSURE BAG	E15
216	39-1015-000	GASOLINE FILTER (FUEL FILTER)	E17
217	39-5009-000	MAIN CABLE/HARNESS	E19
218	39-5010-000	AUXILIARY CABLE	E19
219	39-5012-000	HORN	E15
220	39-5013-000	PRESSURE REGULATOR	E15
221	39-8009-000	EXHAUST PIPE	E18
222	92101-06012-03	FLANGE BOLT M6X12	E15
223	92101-06012-03	FLANGE BOLT M6X12	E17
224	92101-06016-03	FLANGE BOLT M6X16	E15
225	92101-06016-03	BOLT PAN HEAD	E15
226	92201-10070-03	FLANGE BOLT M10X70	E18
227	93201-05016-03	CROSSING PAN HEAD CUSHION M5X16	E15
228	93201-05020-02	CROSSING PAN HEAD M6X20	E15
229	95201-05000-03	M5 FLANGE BOLT	E15
230	95201-06000-03	NUT FLANGE	E15
231	95201-06000-03	FLANGE NUT M6	E17
232	95300-08000-03	CAP NUT M8X32	E18
233	95310-06000-03	HEXAGON SOCKET BOLT M6X18	E18
234			
235			
236			
237			
238			
239			
240			

PART-NO AND DESCRIPTION (FRAME)

NO	PART-NO	DESCRIPTION	GRID NO
241	01-4008-000	BANDAGE	F21
242	01-6001-000	STEERING COLUMN FIXING NUTLOCK	F02
243	01-6100-000	SPEEDOMETER CABLE	F25
244	01-7010-000	ODOMETER COUNTER	F25
245	04-5000-000	DOUBLE FLASH SWITCH	F27
246	04-5001-000	DIRECTIONAL SWITCH	F27
247	04-5002-000	HORN SWITCH	F27
248	04-5003-000	IGNITION SWITCH	F27
249	04-5004-000	HIGH AND LOW LIGHT SWITCH	F27
250	10-4000-000	THROTTLE PIPE ASSY	F08
251	10-4001-000	LEFT RUBBER SLEEVE OF HANDLE	F08
252	10-5008-000	GAS FIXING SEAT	F08
253	10-6003-000	UPPER CONE	F02
254	10-6004-000	UPPER STEEL BALL	F02
255	10-6005-000	UPPER BALL SEAT	F02
256	10-6006-000	LOWER BALL SEAT	F02
257	10-6007-000	LOWER STEEL BALL	F02
258	10-6008-000	LOWER CONE	F02
259	10-6009-000	STEERING HEAD RING	F02
260	10-6010-000	STEERING COLUMN FIXING NUT	F02
261	15-8008-000	CAP TANK	F10
262	16-3017-000	HELMET HOOK	F19
263	16-3031-000	REAR INNER MUD PLATE	F14
264	16-4015-000	REAR WATER BAFFLE	F21
265	16-5007-000	REAR BRAKE HANDLE ASSY	F08
266	16-5027-000	ENGINE STOP SWITCH	F27
267	16-6103-000	SEAT CUSHION CABLE	F25
268	16-8001-000	RIGHT REAR PEDAL	F04
269	16-8002-000	LEFT REAR PEDAL	F04
270	16-8003-000	PEDAL COTTER PIN	F04
271	16-8004-000	PEDAL SHAFT PIN GASKET	F04
272	16-8005-000	PEDAL GASKET	F04
273	16-8006-000	PEDAL SHAFT PIN	F04
274	16-8014-004	SEAT CUSHION ROCKER ARM ASSY	F12
275	16-8035-000	RIGHT FRONT SHOCKABSOBER	F02
276	16-8036-000	LEFT FRONT SHOCKABSOBER	F02
277	22-2001-000	DIRECTION HANDLE	F08
278	22-3000-000	LH BODY COVER	F18
279	22-3001-000	RH BODY COVER	F18
280	22-3002-001	FRONT MUDGUARD (RED)	F14

NO	PART-NO	DESCRIPTION	GRID NO
281	22-3002-002	FRONT MUDGUARD (GOLD)	F14
282	22-3002-003	FRONT MUDGUARD (ACQUA CYAN)	F14
283	22-3003-000	REAR CENTER COVER	F15
284	22-3006-001	STORAGE BOX DECO COVER (RED)	F19
285	22-3006-002	STORAGE BOX DECO COVER (GOLD)	F19
286	22-3006-003	ST.BOX DECO COVER (ACQUA CYAN)	F19
287	22-3009-000	HANDLE COVER REAR	F27
288	22-3011-000	STORAGE BOX	F19
289	22-3012-000	SEDIMENT BOARD	F14
290	22-3014-000	LH SIDE BODY COVER	F18
291	22-3016-000	RH SIDE BODY COVER	F18
292	22-3021-000	CUSHION FRONT WALL	F13
293	22-3028-000	BATTERY COVER	F19
294	22-3080-000	PEDAL	F19
295	22-3100-000	FRONT LOWER MUDGUARD	F14
296	22-3206-000	REAR LICENSE PLATE LAMP ASSY	F28
297	22-4002-000	CLUMP WEIGHT	F08
298	22-4017-000	BATTERY STRAP	F22
299	22-4020-000	OVERFLOW PIPE	F10
300	22-4020-000	OVERFLOW PIPE	F21
301	22-4021-000	OVERFLOW PIPE WIRE SNAP RING	F21
302	22-5019-000	SLEEVE LOCK ASSY	F12
303	22-6200-000	MAIN TRIPOD SPRING	F05
304	22-6201-000	SIDE STAND SPRING	F05
305	22-7000-000	WHEEL FRONT ASSY	F26
306	22-7001-000	BEARING WHEEL FRONT	F26
307	22-7002-000	OIL SEAL WHEEL FRONT	F26
308	22-8000-000	REAR ARMREST	F01
309	22-8003-000	STEERING REAR MASTER LEVER	F02
310	22-8014-000	SEAT CUSHION ASSY	F12
311	22-9001-000	FRONT WHEEL BUSHING	F02
312	29-2008-000	LARGE SUPPORT SHAFT	F05
313	29-4009-000	MAIN TRIPOD BUFFER GLUE	F05
314	29-4010-000	ENGINE HANGER BUFFER RUBBER	F03
315	29-7003-000	WHEEL REAR ASSY	F26
316	31-3004-001	FRONT PANEL (RED)	F17
317	31-3004-002	FRONT PANEL (GOLD)	F17
318	31-3004-003	FRONT PANEL (ACQUA CYAN)	F17
319	31-3005-000	FRONT UPPER COVER	F16
320	31-3007-000	HANDLE COVER FRONT	F20

PART-NO AND DESCRIPTION (FRAME)

NO	PART-NO	DESCRIPTION	GRID NO
321	31-3008-000	HANDLE COVER UPPER	F20
322	31-3010-001	INST. UPPER COVER (RED)	F20
323	31-3010-002	INST. UPPER COVER (GOLD)	F20
324	31-3010-003	INST. UPPER COVER (ACQUA CYAN)	F20
325	31-3013-000	REAR LICENSE PLATE LAMP BRACKET	F28
326	31-3022-001	FRONT LH PANEL (RED)	F17
327	31-3022-002	FRONT LH PANEL (GOLD)	F17
328	31-3022-003	FRONT LH PANEL (ACQUA CYAN)	F17
329	31-3023-001	FRONT RH PANEL (RED)	F17
330	31-3023-002	FRONT RH PANEL (GOLD)	F17
331	31-3023-003	FRONT RH PANEL (ACQUA CYAN)	F17
332	31-3030-000	HEAD LAMP LOWER COVER	F17
333	31-3040-000	FRONT UPPER COVER DECO PART	F16
334	31-3041-001	FRONT PANEL DECO (RED)	F16
335	31-3041-002	FRONT PANEL DECO (GOLD)	F16
336	31-3041-003	FRONT PANEL DECO (ACQUA CYAN)	F16
337	31-3042-000	FRONT LH VENTILATION GRID	F16
338	31-3043-000	FRONT RH VENTILATION GRID	F16
339	31-3044-001	HEAD LAMP LOWER COVER CONN.(RED)	F17
340	31-3044-002	HEAD LAMP LOWER COVER CONN.(GOLD)	F17
341	31-3044-003	HEAD LAMP LOWER COVER CONN.(CYAN)	F17
342	31-3045-000	REAR TAIL LAMP COVER	F15
343	31-3070-000	REAR MUDGUARD	F14
344	31-3200-000	FRONT LAMP ASSY	F23
345	31-3201-000	TAIL LAMP ASSY	F18
346	31-3201-000	HEADLAMP COVER	F23
347	31-3201-000	TAIL LAMP ASSY	F24
348	31-3202-000	LED CIRCUIT BOARD	F23
349	31-3202-000	TAIL LAMP SHADE	F24
350	31-3203-000	LED CIRCUIT BOARD	F24
351	32-2012-000	REAR LICENSE PLATE BRACKET	F28
352	32-3050-000	SIDE REFLECTOR	F28
353	32-4028-000	AIRCRAFT HEAD TIE	F21
354	32-5019-003	SEAT CUSHION LOCK PLATE	F12
355	39-1007-000	OXYGEN SENSOR	F25
356	39-1009-000	INNER OIL PUMP ASSY	F10
357	39-1009-001	OIL PUMP SEAL SEAL RING	F10
358	39-1009-002	OIL PUMP PRESSING PLATE	F10
359	39-2000-000	FRAME	F01
360	39-2003-000	FRONT PANEL BRACKET	F07

NO	PART-NO	DESCRIPTION	GRID NO
361	39-2004-000	ENGINE HANGER ASSY	F03
362	39-2005-000	MAIN TRIPOD	F05
363	39-2006-000	SIDE STAND	F05
364	39-2007-000	ECU BRACKET	F07
365	39-2008-000	LEFT PEDAL BRACKET	F04
366	39-2009-000	RIGHT PEDAL BRACKET	F04
367	39-3016-000	GOODS CASE/BOX	F13
368	39-3035-000	TANK COVER	F10
369	39-3042-000	REAR REFLECTOR	F15
370	39-3205-000	INSTRUMENT ASSY	F27
371	39-3206-000	LENS METER	F27
372	39-4003-000	CYLINDER HEAD HIGH TEMP.SPRING	F21
373	39-4004-000	PLASTIC HOOP	F21
374	39-4005-000	BUFFER RUBBER PAD 150X30X1.5	F21
375	39-4008-000	ENGINE PLUG HOOP	F21
376	39-4016-000	BUFFER RUBBER PAD 150X30X1.5	F22
377	39-4020-000	BUFFER RUBBER PAD 150X85X1.5	F22
378	39-4021-000	BUFFER RUBBER PAD 75X60X1.5	F22
379	39-6101-000	THROTTLE CABLE	F25
380	39-6102-000	REAR BRAKE CABLE	F25
381	39-7100-000	FRONT DISC BRAKE ASSY	F11
382	39-7100-001	FRONT DISC BRAKE LOWER PUMP	F11
383	39-7100-002	FRONT DISC BRAKE UPPER PUMP	F11
384	39-7100-003	FRONT DISC BRAKE OIL PIPE	F11
385	39-7120-000	BRAKE HOSE BRACKET	F02
386	39-7121-000	MILEAGE LINE CLAMP	F02
387	39-7122-000	DISC BRAKE DISC	F11
388	39-8006-000	REAR SHOCK ABSORBER	F02
389	39-8007-000	TANK	F10
390	39-8011-000	AIR FILTER ASSY	F09
391	39-8011-001	AIR FILTER BOTTOM SHELL	F09
392	39-8011-002	AIR FILTER ELEMENT	F09
393	39-8011-003	AIR FILTER HOUSING	F09
394	39-8011-004	AIR FILTER CLAM	F09
395	39-8012-000	LEFT MIRROR	F08
396	39-8013-000	RIGHT MIRROR	F08
397	39-8030-000	ALUMINIUM ALLOY CONN.PLATE	F06
398	39-8031-000	BUSHING 25X17.3X27	F06
399	39-8032-000	BUSHING 25X17.3X12	F06
400	40181-412-0149KRQ	PATTERN-SET COLOUR RED	D01

PART-NO AND DESCRIPTION (FRAME)

NO	PART-NO	DESCRIPTION	GRID NO
401	40181-412-0150KCQ	PATTERN-SET COLOUR CYAN	D01
402	40181-412-0151KGD	PATTERN-SET COLOUR GOLD	D01
403	4100-412-0051	TIRE REAR	F26
404	41009-412-0052	TIRE FRONT	F26
405	53125-F8-9000	LOCK EXPAND SLEEVE STEERING	F08
406	54125-F8-9000	COTTER PIN	F05
407	92101-05012-03	FLANGE BOLT M5X12	F10
408	92101-06012-03	FLANGE BOLT M6X12	F02
409	92101-06012-03	FLANGE BOLT M6X12	F07
410	92101-06012-03	FLANGE BOLT M6X12	F12
411	92101-06012-03	HEX BOLT WITH GASKET M6X12	F14
412	92101-06012-03	HEX BOLT WITH GASKET M6X12	F14
413	92101-06012-03	FLANGE BOLT M6X12	F19
414	92101-06012-03	FLANGE BOLT M6X12	F23
415	92101-06016-03	FLANGE BOLT M6X16	F05
416	92101-06016-03	FLANGE BOLT M6X16	F12
417	92101-06016-03	HEX FLANGE BOLT WITH GASKET	F14
418	92101-06016-03	FLANGE STEP BOLT M6X16	F14
419	92101-06016-03	HEX BOLT WITH GASKET M6X16	F19
420	92101-06016-05	HEX FLANGE BOLT+GASKET M6X16	F10
421	92101-06016-05	HEX FLANGE BOLT M6X16	F13
422	92101-06025-04	GB/T5786 BOLT M6X25	F09
423	92101-06050-03	FLANGE BOLT M6X50	F07
424	92101-08012-03	FLANGE BOLT M8X12	F04
425	92101-08032-03	OUTER HEXAGON BOLT M8X32	F02
426	92201-08025-03	HEXAGON SOCKET BOLT M8X25	F11
427	92201-08025-04	FLANGE BOLT M8X25	F01
428	92201-08060-03	FLANGE BOLT M8X60	F01
429	92201-100185-03	FRONT AXLE M10X1885 BOLT	F02
430	92201-100235-03	BOLT M10X235	F03
431	92201-10025-03	SIDE STAND PIVOT BOLT	F05
432	92201-100270-03	BOLT M12X270	F03
433	92201-10038-03	FLABGE BOLT M10X38	F11
434	92201-10040-03	FLANGE BOLT M10X40	F02
435	92201-10040-03	FLANGE BOLT M10X40	F06
436	92201-10050-03	FLANGE BOLT M10X50	F08
437	93201-05016-02	CROSSING FLAT HEAD BOLT M6X16	F14
438	93401-42012-03	SELF TAPPING SCREW ST4.2X12	F15
439	93401-42012-03	SELF TAPPING SCREW ST4.2X12	F16
440	93401-42012-03	SELF TAPPING SCREW ST4.2X12	F17

NO	PART-NO	DESCRIPTION	GRID NO
441	93401-42012-03	SELF TAPPING SCREW ST4.2X12	F18
442	93401-42012-03	SELF TAPPING SCREW ST4.2X12	F19
443	93401-42012-03	SELF TAPPING SCREW ST4.2X12	F20
444	93401-42012-03	SELF TAPPING SCREW ST4.2X12	F23
445	93401-42012-03	SELF TAPPING SCREW ST4.2X12	F24
446	93401-48012-03	SELF TAPPING SCRE ST4.8X12	F13
447	93401-48012-03	SELF TAPPING SCREW ST4.8X12	F18
448	93401-48012-03	SELF TAPPING SCREW ST4.8X12	F19
449	93401-48012-03	SELF TAPPING SCREW ST4.8X12	F27
450	93401-48016-03	SELT TAPPING SCREW ST4.8X16	F09
451	93401-48016-03	SELF TAPPING SCREW ST4.8X16	F13
452	93401-48016-03	SELF TAPING SCREW ST4.8X16	F14
453	93401-48016-03	SELF TAPPING SCREW ST4.8X16	F14
454	93401-48016-03	SELF TAPPING SCREW ST4.8X16	F15
455	93401-48016-03	SELF TAPPING SCREW ST4.8X16	F19
456	93401-48019-03	SELF TAPPING SCREW ST4.8X19	F19
457	93401-49012-03	SELF TAPPING SCRE ST4.8X12	F28
458	93401-50000-02	SELF TAPPING CLIP ST4.8	F14
459	93401-50000-02	SELF TAPPING CLIP ST4.8	F14
460	93401-50000-02	SELF TAPPING CLIP ST4.8	F17
461	93401-50000-02	SELF TAPPING CLIP ST4.8X16	F18
462	93401-50000-02	SELF TAPPING CLIP ST4.8X16	F19
463	93401-50000-02	SELF TAPPING CLIP ST4.8	F20
464	93401-50000-02	SELF TAPPING CLIP ST4.8	F27
465	95201-06000-03	FLANGE NUT M6	F07
466	95201-06000-03	FLANGE NUT M6	F15
467	95401-10000-03	SELF LOCKING NUT M10	F02
468	95401-10000-03	SELF LOCKING NUT M10	F02
469	95401-10000-03	SELF LOCKING NUT M10	F03
470	95401-10000-04	LOCK NUT M10	F08
471	95401-12000-03	SELF LOCKING NUT M12	F03
472	95502-16000-03	SELF LOCKING NUT M16	F06
473	95801-08018-03	FLAT PAD DIA.8X18X1.5	F01
474	95801-10021-03	LARGE SUPPORT SHAFT GASKET	F05
475	95801-10025-03	FLAT PAD 10X25X2.0	F02
476	95801-12025-03	FLAT PAD 12X25X2.0	F02
477			
478			
479			
480			



Motosikal dan Enjin Nasional Sdn Bhd
Kawasan Gurun Perusahaan Gurun, 08300 Gurun, Kedah Darul Aman, Malaysia
Tel : 604-466 8000 Fax : 604-466 8300

Pusat Panggilan Pelanggan **1 800 880 181** www.modenas.com.my

Edaran MODENAS Sales & Marketing Office

EON Head Office Complex, No. 2 Level 2 Persiaran Kerjaya, Taman Perindustrian Glenmerie ,
Section U1 40150, Shah Alam, Selangor Darul Ehsan
Tel : 03-7880 2775 Fax : 03-7880 2290

MODENAS Service Centres in Malaysia

● Kedah	Kawasan Perindustrian Gurun, 08300 Kedah.	Tel : 04-466 8236 : 04-466 8238	Fax: 04-466 8109
● Perak	No. 123, Jalan Raja Musa Aziz, 30300 Ipoh, Perak	Tel : 05-249 8961 : 04-466 8117	Fax: 05-249 8965
● Selangor	No. 62 & 64 Jalan Pluto AY, U5/AY, Seksyen U5 40150 Shah Alam, Selangor.	Tel : 04-466 8160	Fax: 03-784 50972
● Pahang	No. A 149, Lorong Seri Teruntum 8, Jalan Dato Wong Ah Jang, Taman Tunas Maju, 25200 Kuantan, Pahang.	Tel : 09-512 3380 : 04-466 8199	Fax: 09-512 3383
● Johor	No. 1, Jalan Kempas 2, Taman Tanah Tampoi 81200 Johor Bahru, Johor.	Tel : 07-236 1695 : 04-466 8148	Fax: 07-235 2693

A Member Of :

DRB-HICOM

[JILID-1-12/2021]
99924-L072-00

Distributor :

EMOS
EDARAN MODENAS SDN. BHD.