



PARTS CATALOGUE

WREX MR3



A Member of



CONTENTS

1 INTRODUCTION

- INTRODUCTION TO PARTS CATALOGUE
- COLOR CHART

2 PICTORIAL INDEX

ENGINE INDEX

- E01 ~ E06
- E07 ~ E12
- E13 ~ E18
- E19 ~ E21

FRAME INDEX

- F01 ~ F06
- F07 ~ F12
- F13 ~ F18
- F19 ~ F24
- F25 ~ F30

3 ENGINE GROUP

4 FRAME GROUP

5 DECALS GROUP

- D01 ~ D06

6 PART NUMBER INDEX (ENGINE)

1M0CC0736	~	100103706
100103707	~	100203228
100203271	~	100031960-0007
100033087-0006	~	B166740106002571X

PART NUMBER INDEX (FRAME)

31100-H418-060001	~	72207-H206-0100
72215-H206-0100	~	91205-1042-017T1X
9A113-1060-01671X	~	72240-H418-000001
72270-H206-030001	~	91218-1060-022T0U
9A113-1060-02071X	~	40181-519-0144ZYB

INTRODUCTION

1

PICTORIAL INDEX

2

ENGINE GROUP

3

FRAME GROUP

4

DECALS GROUP

5

PART NO. GROUP

6

INTRODUCTION TO PARTS CATALOGUE

This parts catalogue is meant for type of model:

1. MJ110F-A1MY

This part catalogue is based on the latest specification on 13 September 2019 from ZS. Please refer to the nearest service centre to obtain the latest information on the part catalogue.

1. How to order parts.

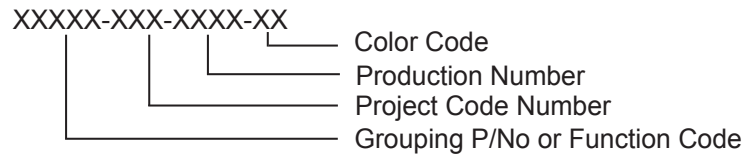
In ordering spare parts for the replacement market, it is compulsory to include the following items:

Part Number, Description and Color Code.

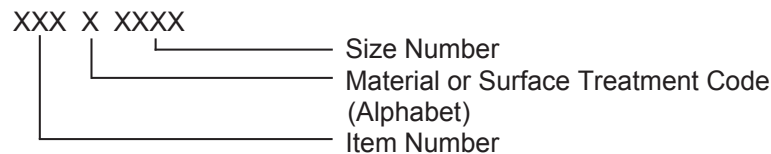
2. Explanation of Parts Catalogue

A. Part Number Structure

(i) Part number



(ii) Standard hardware number



B. Quantity

Indicates the volume quantity needed as specified in the column stated under "Quantity".

Note: Final quantity shall be specified in the quantity column and not always as depicted in diagram.

3. List of Abbreviations

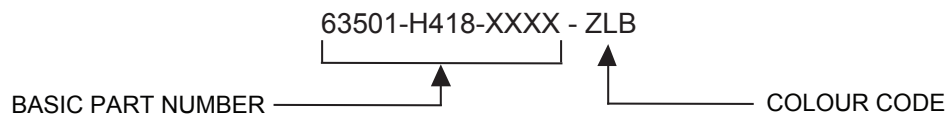
Describes the abbreviations used in this parts catalog.

(+)	Plus	MM	Millimeter
(-)	Minus	MPH	Miles Per Hour
&	And	NA	Not Available
2 nd	Second	O/S	Over Size
3 rd	Third	OD	Outside Diameter
4 th	Fourth	PR	Ply Rating
AR	As Required	REF	Reference
ASSY	Assembly	RH	Right Hand
CA	Cut Away	RPM	Revolutions Per Minute
CNT	Center	RR	Rear
COMP	Complete	STD	Standard
D	Degree	T	Teeth
FR	Front	T=	Thickness
G	Gram	U/S	Under Size
HEX	Hexagonal	UPP	Upper
ID=	Inside Diameter	V	Volt
KPH	Kilometers Per Hour	W	Watt
L	Link	W/	With
L=	Length	WD	With Decal
L/	Less	WOD	Without Decal
LH	Left Hand		

ALWAYS USE MODENAS GENUINE PARTS

COLOUR CHART 1

1. When ordering a coloured part/s, refer to the chart below and add the colour code at the end of the basic part number.



A) BODY COLOUR CODE (PAINT COLOUR CODE)

NO	COLOUR NAME	CODE FOR PART	COLOUR LOCATION		CODE FOR PRODUCT
			COLOUR 1	COLOUR 2	
1	BLACK	6514	6514	-	ZLB
2	BLUE	4076	4076	6514	ZBB
3	YELLOW	2045	2045	6514	ZYB

B) COLOUR CODE FOR ABS PARTS (PAINT CODE)

NO	PART NAME	PART NO.	COLOUR CODE		
			ZLB	ZBB	ZYB
1	SHELL-HEADLIGHT	63501-H418	020007	020006	020005
2	DECO-PARTS-FRONT-WIND-COVER	62307-H418	020205	0200KR	020204
3	FRONT-WIND-COVER	62301-H418	000386	000385	000384
4	EXTERNAL-BOARD-WIND-BOARD-LH	62402-H418	000513	000512	000511
5	EXTERNAL-BOARD-WIND-BOARD-RH	62403-H418	↑	↑	↑
6	WIND-BOARD-LH	63401-H418	010001	010002	010003
7	WIND-BOARD-RH	63406-H418	↑	↑	↑
8	COVER-OUTSIDE-LH	6312F-H418	000012	000010	000011
9	COVER-OUTSIDE-RH	6312E-H418	↑	↑	↑
10	PROTECTING-BOARD-CENTRAL-REAR	62218-H418	000087	000087	000087
11	CAP-VEHICLE-PART-LH	63341-H418	000403	000402	000401
12	CAP-VEHICLE-PART-RH	63352-H418	↑	↑	↑
13	SIDE-CAP-LH	63301-H418	000506	000505	000504
14	SIDE-CAP-RH	63332-H418	↑	↑	↑
15	TAIL-CAP	63602-H418	000071	000071	000071
16	FRONT-FENDER	63104-H670	000097	000096	000095
17	DECO-CAP-FRONT-FENDER-LH	63127-H670	000076	0000KR	0000ML
18	DECO-CAP-FRONT-FENDER-RH	63126-H670			

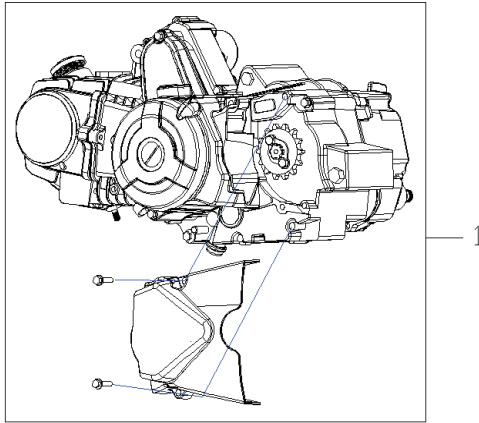


PICTORIAL INDEX 2

PICTORIAL INDEX

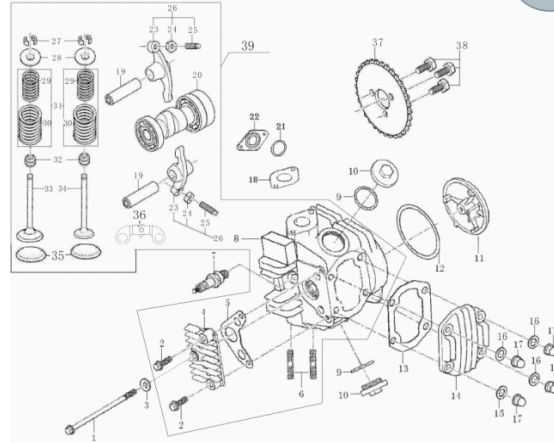
ENGINE

E 1



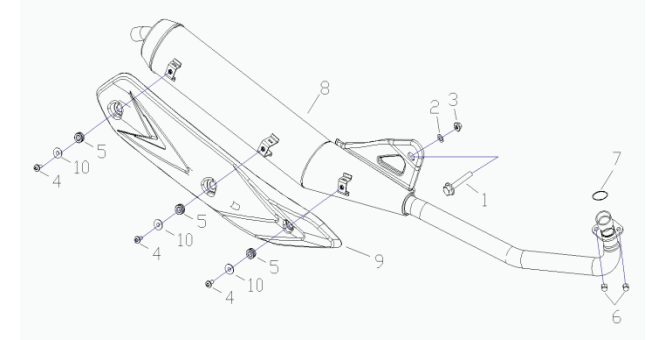
CYLINDER HEAD ASSY

E 2



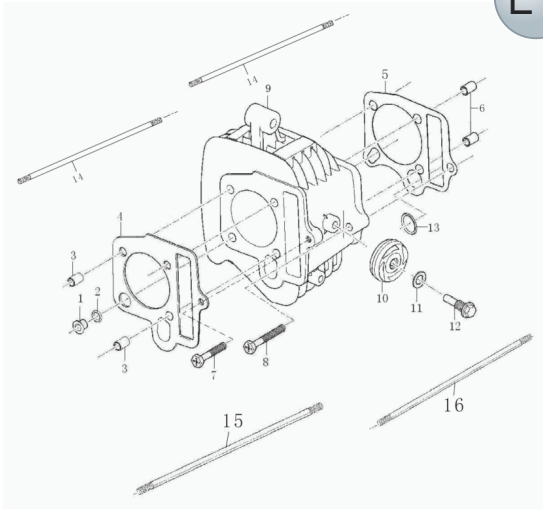
MUFFLER

E 3



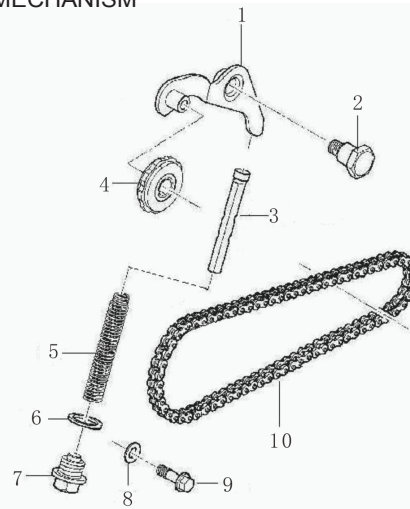
CYLINDER ASSEMBLY

E 4



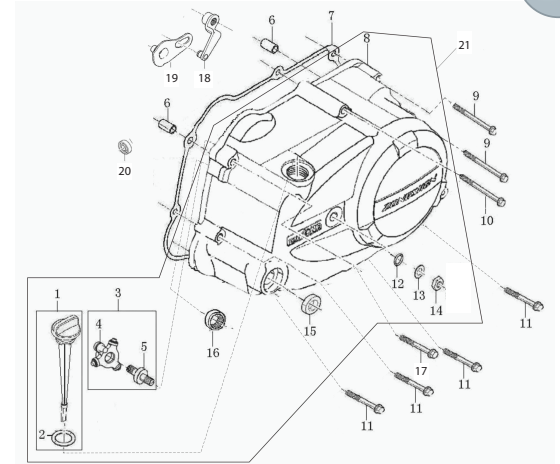
VALVE MECHANISM

E 5



RIGHT CRANKCASE COVER

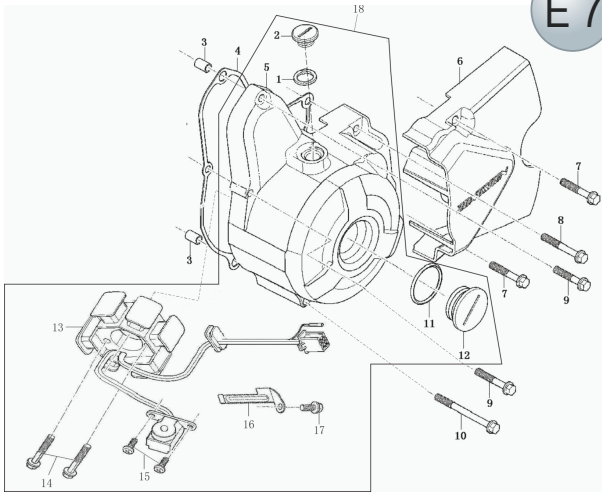
E 6



PICTORIAL INDEX

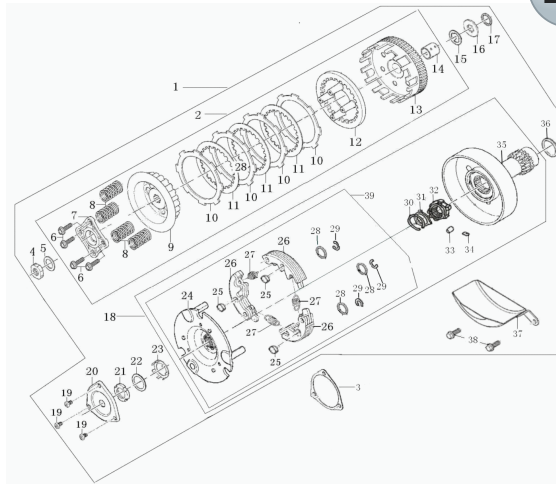
LEFT CRANKCASE COVER

E7



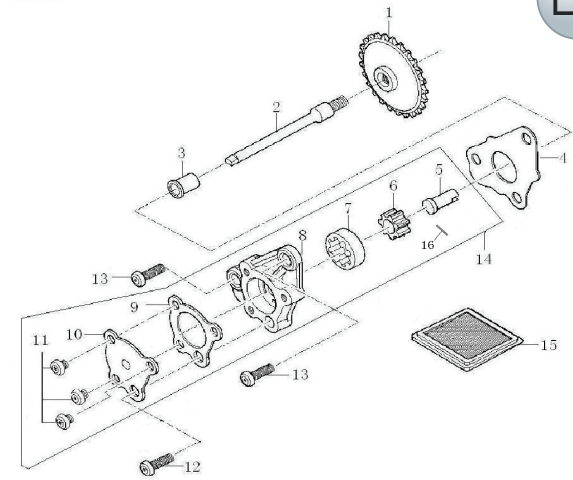
CLUTCH ASSY

E8



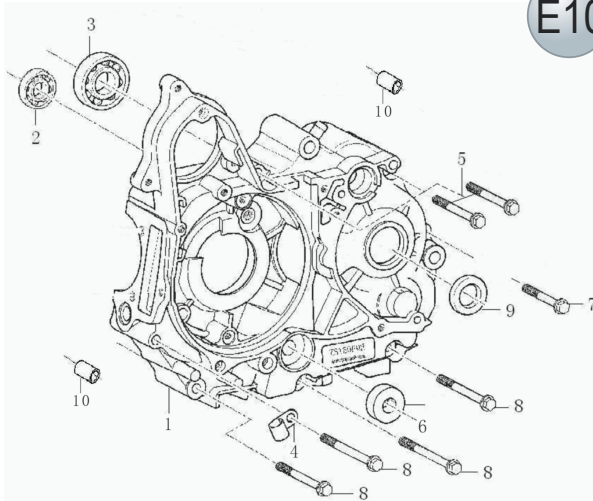
OIL PUMP

E9



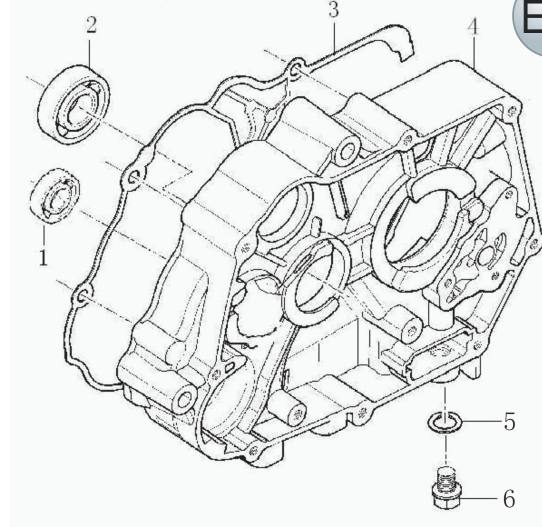
LEFT CRANKCASE

E10



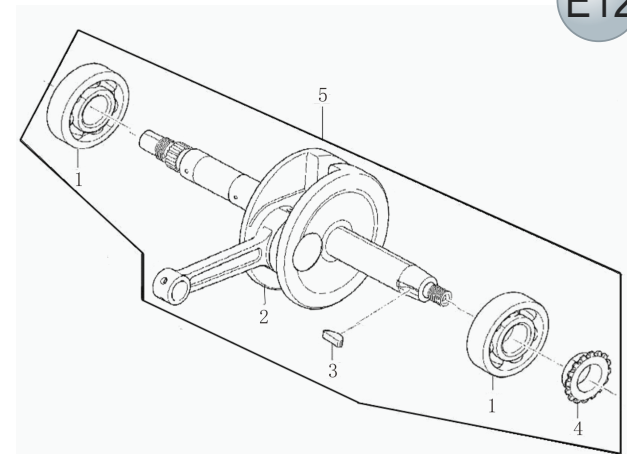
RIGHT CRANKCASE

E11



CRANKSHAFT CONNECTING-ROD ASSY

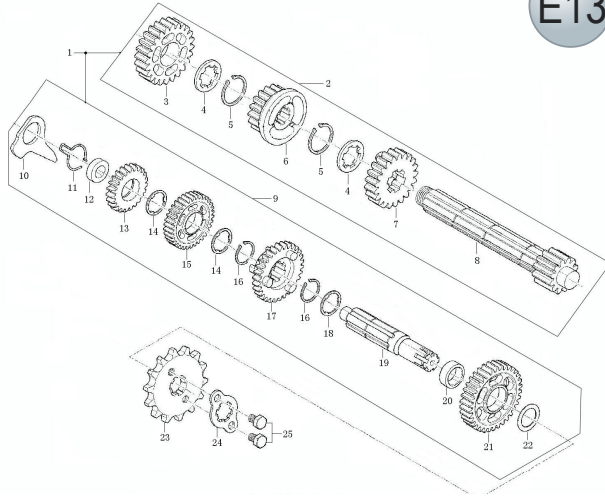
E12



PICTORIAL INDEX

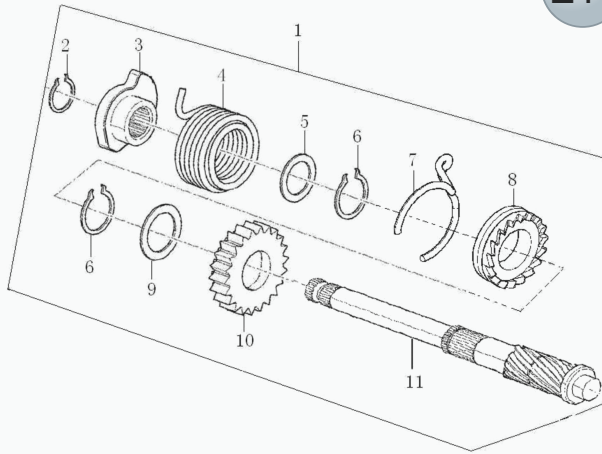
TRANSMISSION MAIN, COUNTER SHAFT

E13



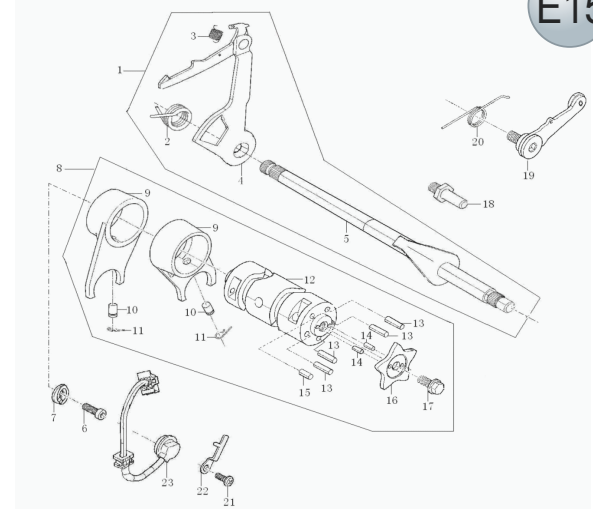
KICK STARTING SHAFT ASSEMBLY

E14



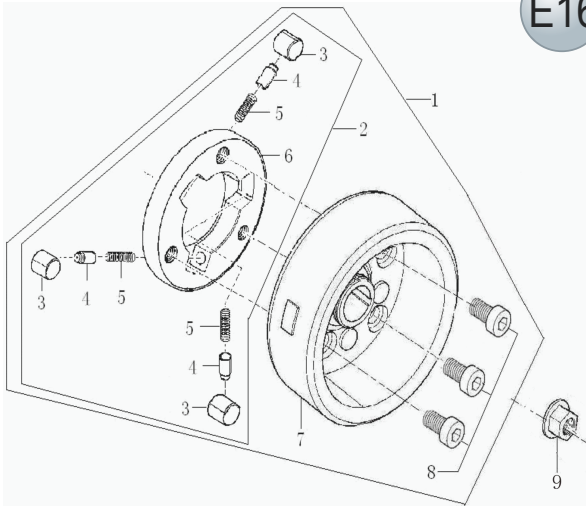
GEARSHIFT MECHANISM

E15



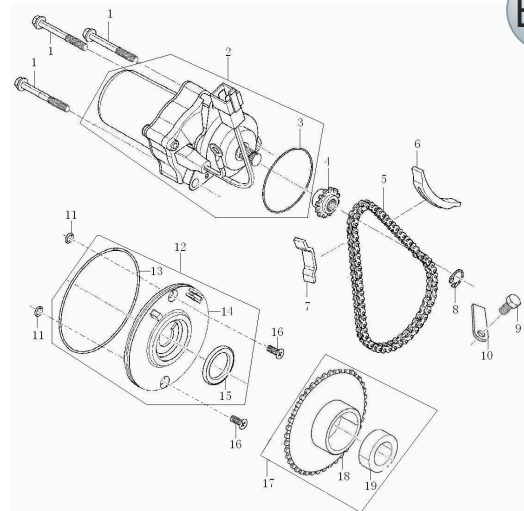
MAGNETO COMP

E16



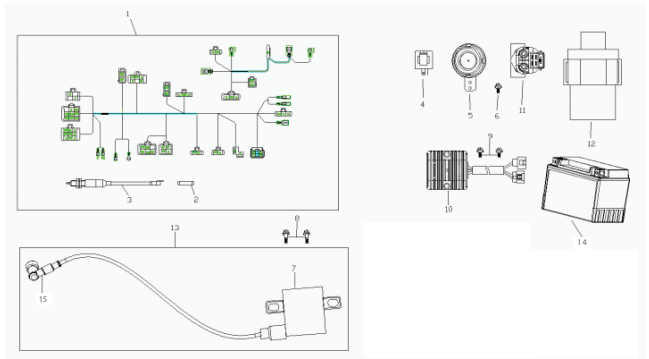
ELECTRIC STARTING MECHANISM

E17

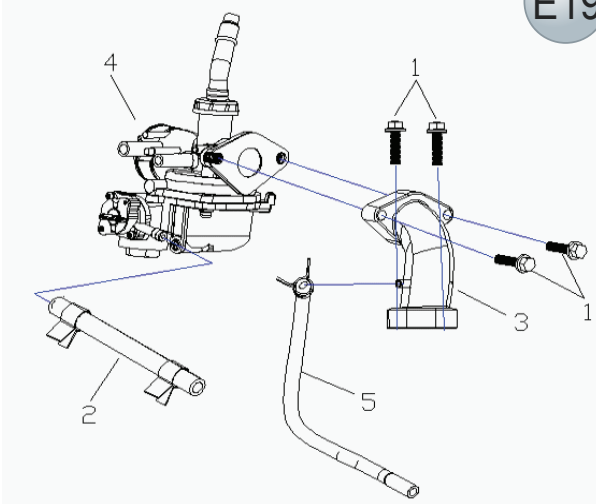
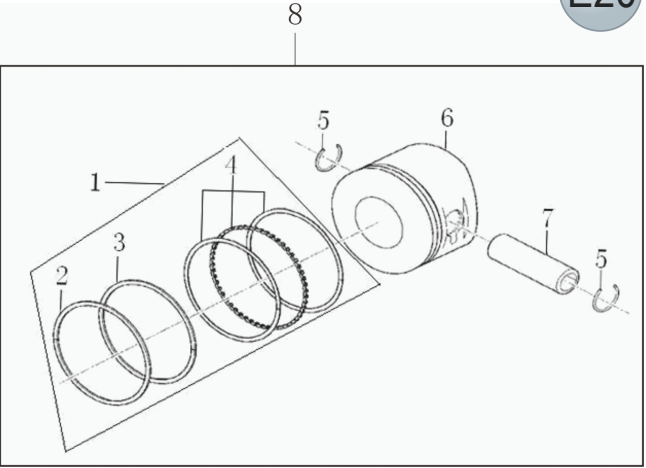
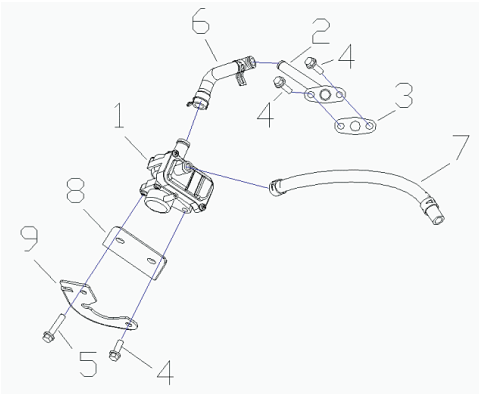


ELECTRICAL PARTS

E18



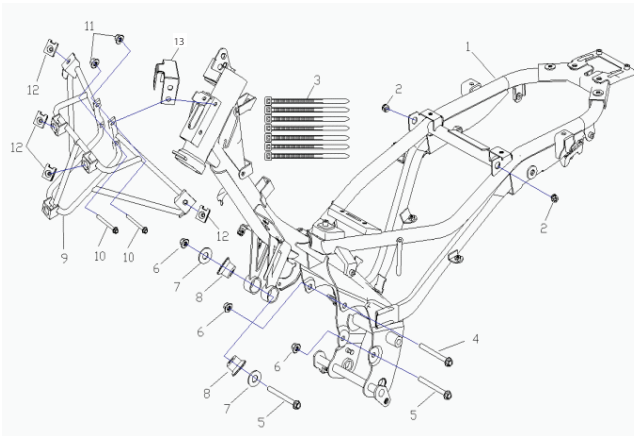
PICTORIAL INDEX

<p>CARBURETOR & INTAKE PIPE E19</p> 	<p>PISTON E20</p> 	<p>AIR PUMP E21</p> 
<p>N/A E22</p>	<p>N/A E23</p>	<p>N/A E24</p>

PICTORIAL INDEX

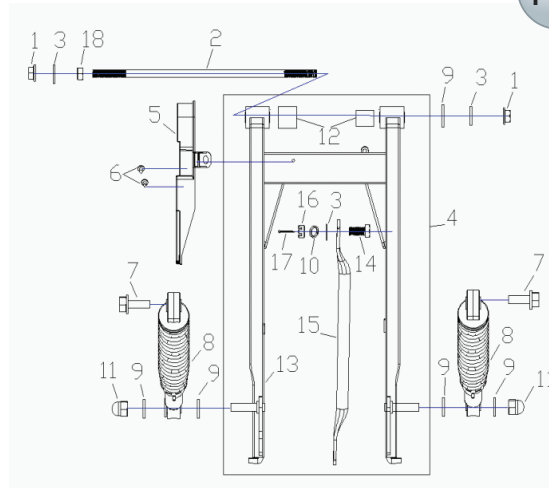
FRAME

F 1



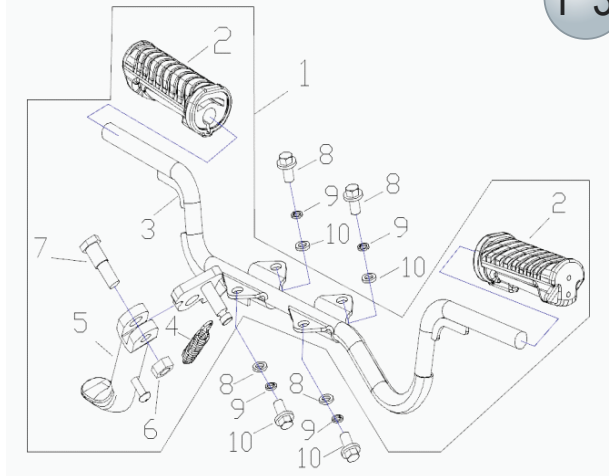
REAR SWING ARM/REAR ABSORBER

F 2



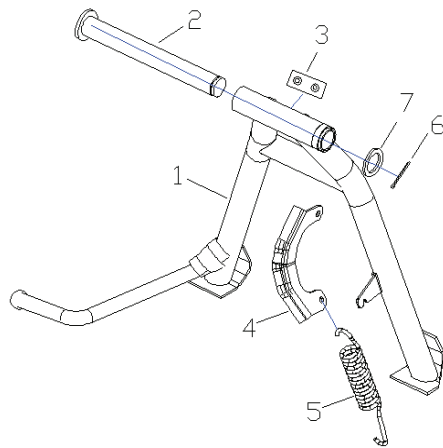
FRONT FOOTPEG

F 3



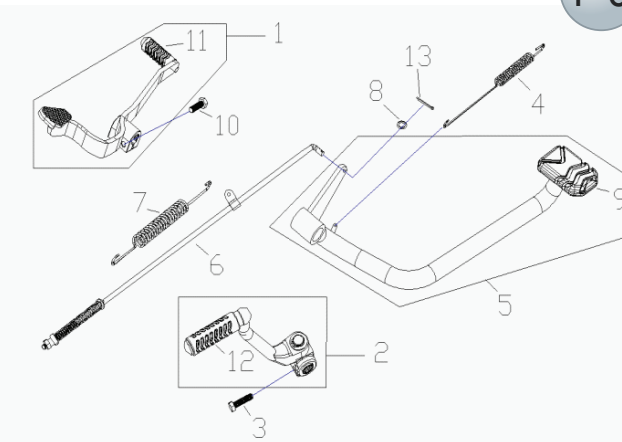
MAIN BRACKET / CENTRE STAND

F 4



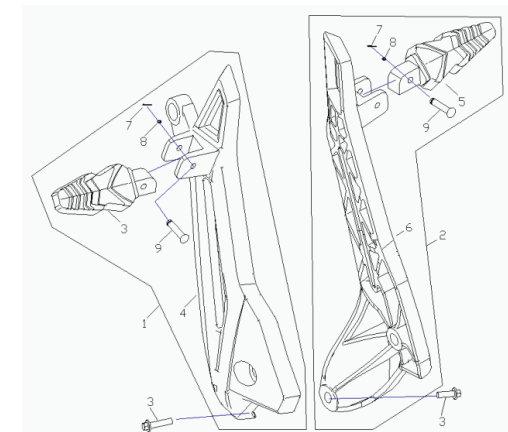
FOOT CONTROL PARTS

F 5



REAR PEDAL

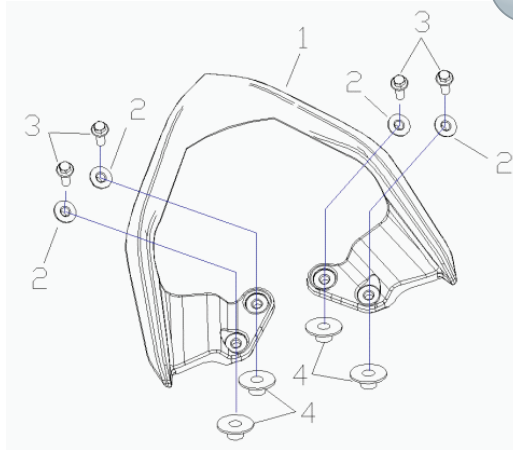
F 6



PICTORIAL INDEX

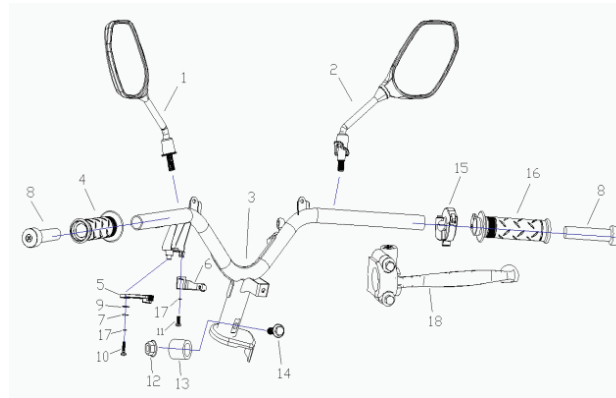
REAR ARMREST

F 7



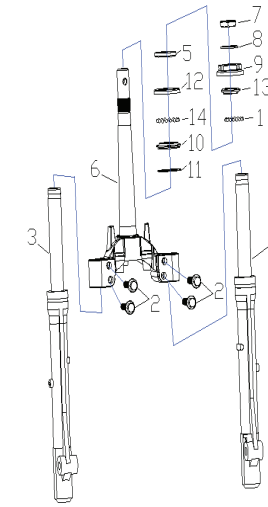
HANDLEBAR & REAR VIEW MIRROR

F 8



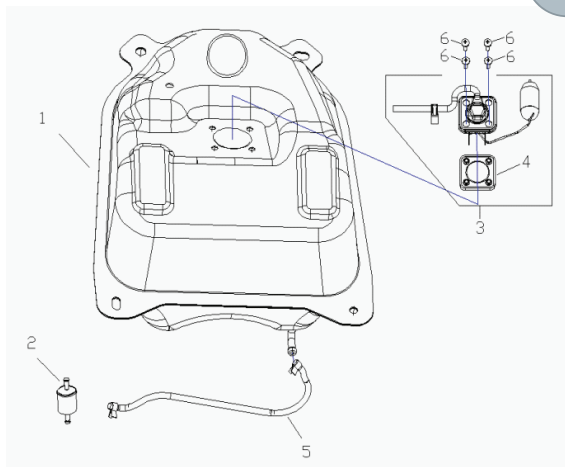
STEERING STEM / FRONT ABSORBER

F 9



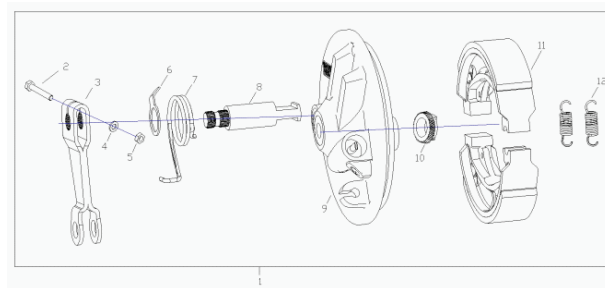
FUEL TANK

F10



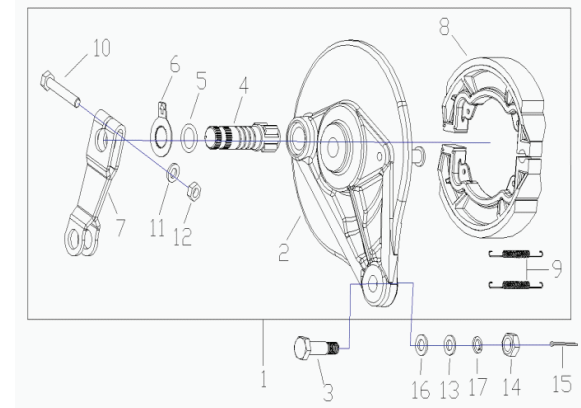
FRONT BRAKE

F11



REAR BRAKE

F12



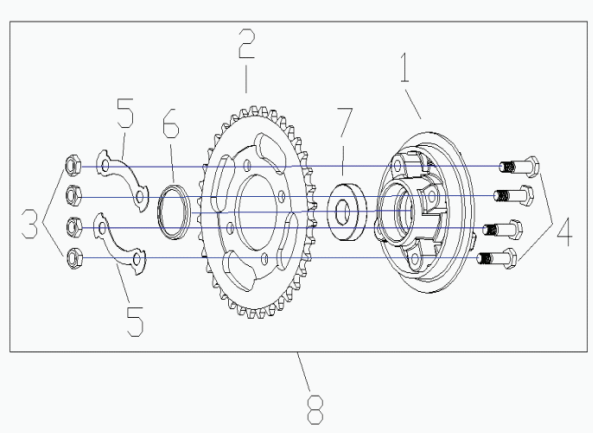
PICTORIAL INDEX

<p>MIDDLE GOODS CASE F13</p>	<p>FRONT PART, REAR FENDER F14</p>	<p>REAR PART, REAR FENDER F15</p>
<p>CHAIN CASE, CHAIN F16</p>	<p>FRONT ALUMINIUM WHEEL/FRONT-TYRE F17</p>	<p>REAR ALUMINIUM WHEEL/REAR-TYRE F18</p>

PICTORIAL INDEX

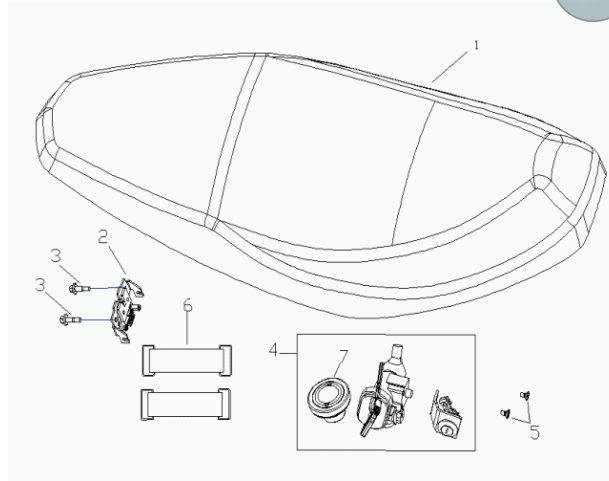
BUFFER ASSEMBLY

F19



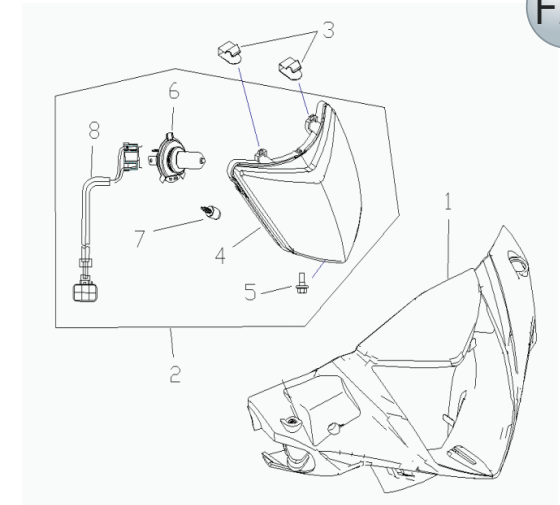
SEAT

F20



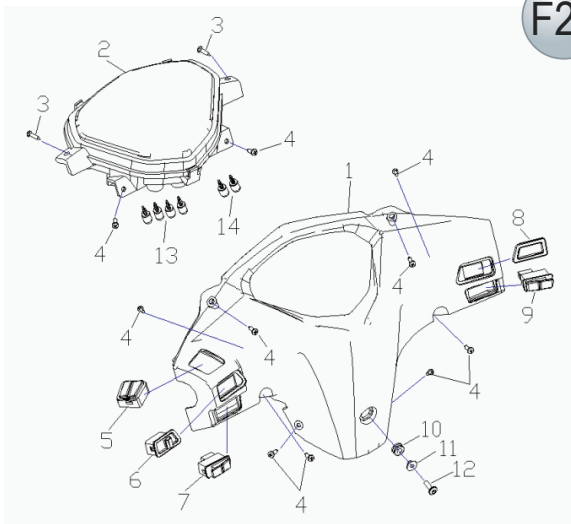
HEADLIGHT / FRONT COVER HANDLE

F21



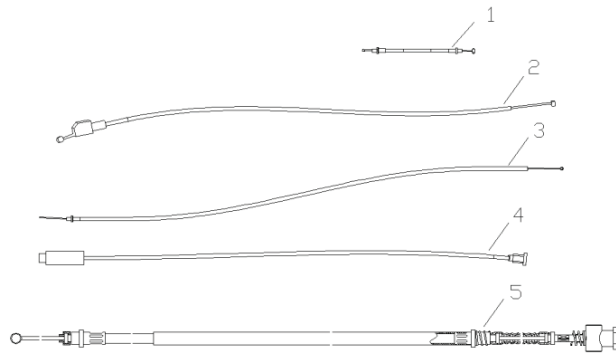
METER / REAR COVER HANDLE

F22



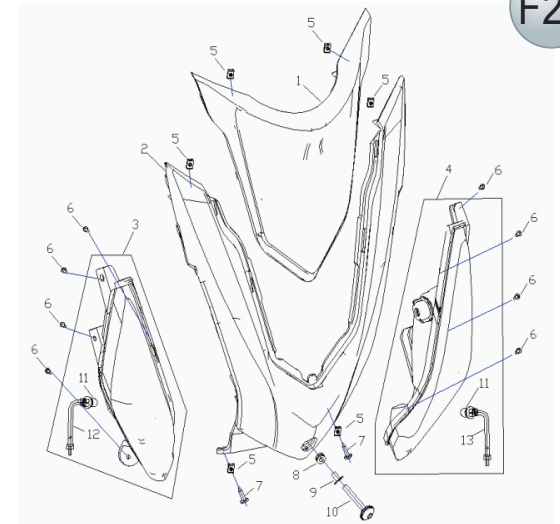
CONTROL CABLE

F23



FRONT WIND COVER FRONT TURNING LIGHT

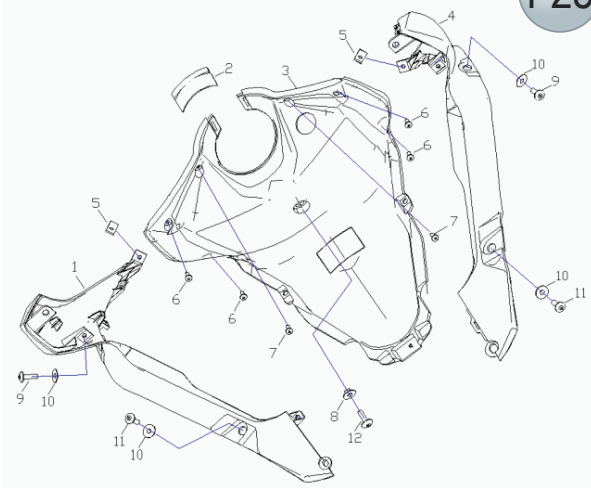
F24



PICTORIAL INDEX

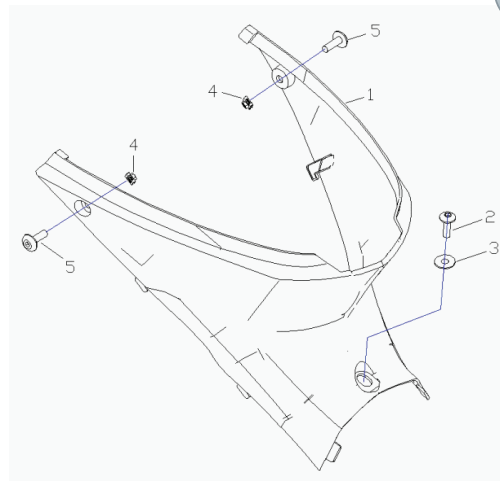
PROTECTING BOARD, CENTRAL FRONT

F25



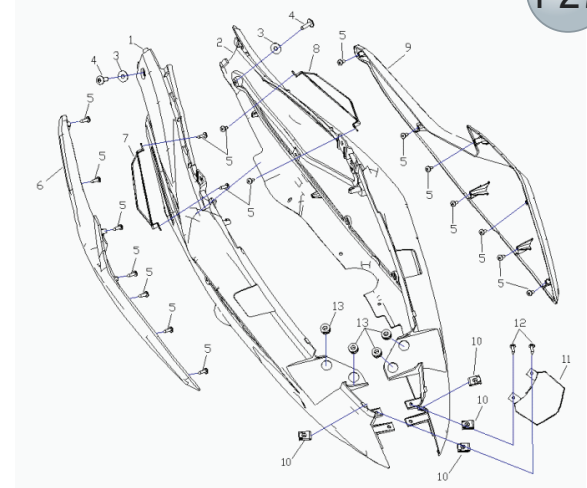
PROTECTING BOARD, CENTRAL REAR

F26



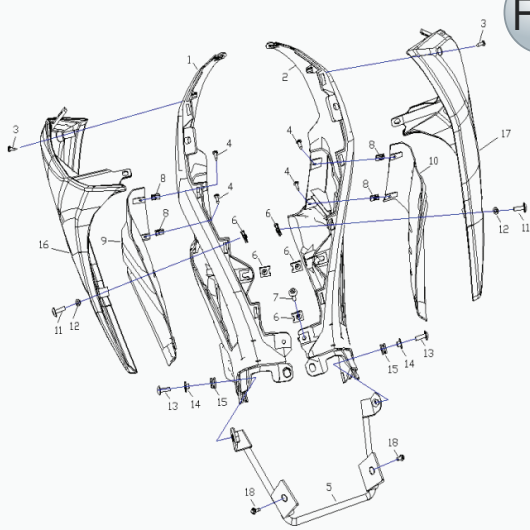
VEHICLE CAP

F27



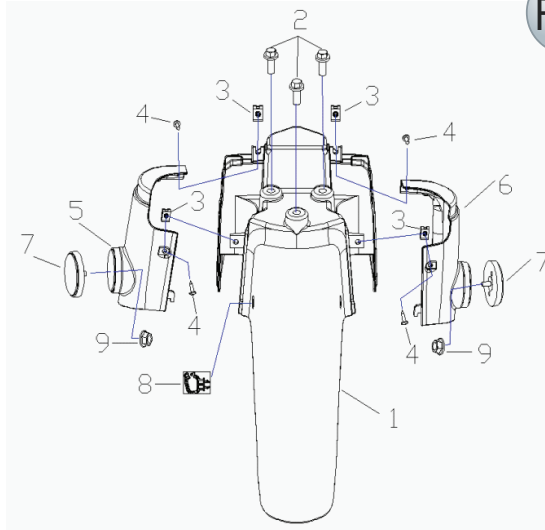
WIND BOARD

F28



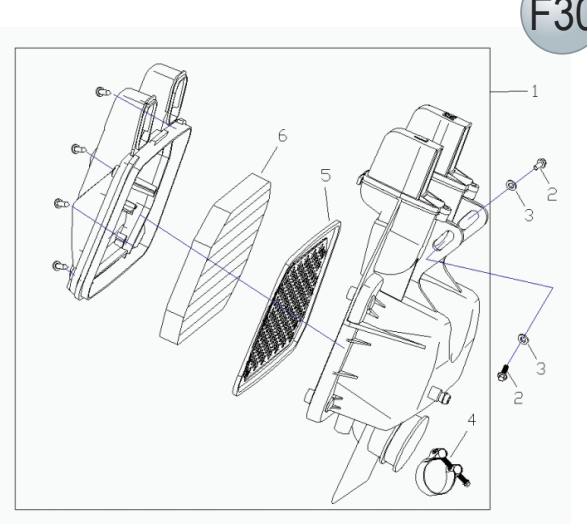
FRONT FENDER

F29

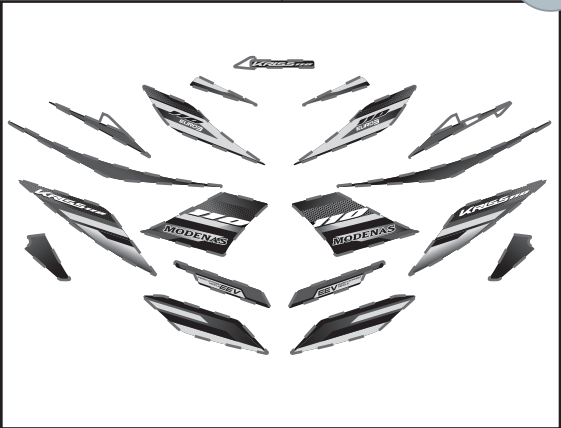


AIR CLEANER

F30



PICTORIAL INDEX

<p>PATTERNS</p> <p>1/2/3</p>  <p>D01</p>	<p>N/A</p> <p>D02</p>	<p>N/A</p> <p>D03</p>
<p>N/A</p> <p>D04</p>	<p>N/A</p> <p>D05</p>	<p>N/A</p> <p>D06</p>

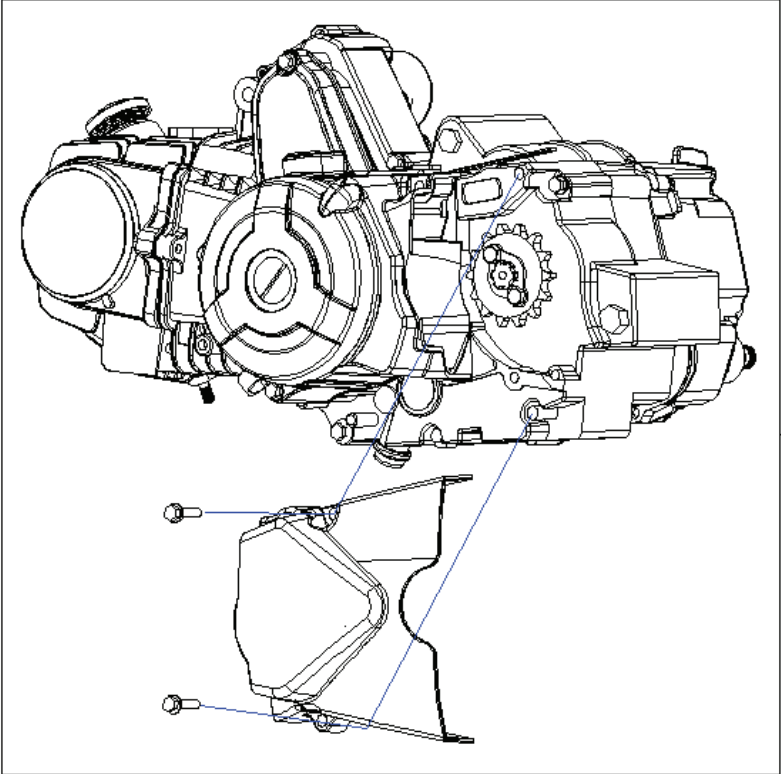


ENGINE GROUP 3

ENGINE

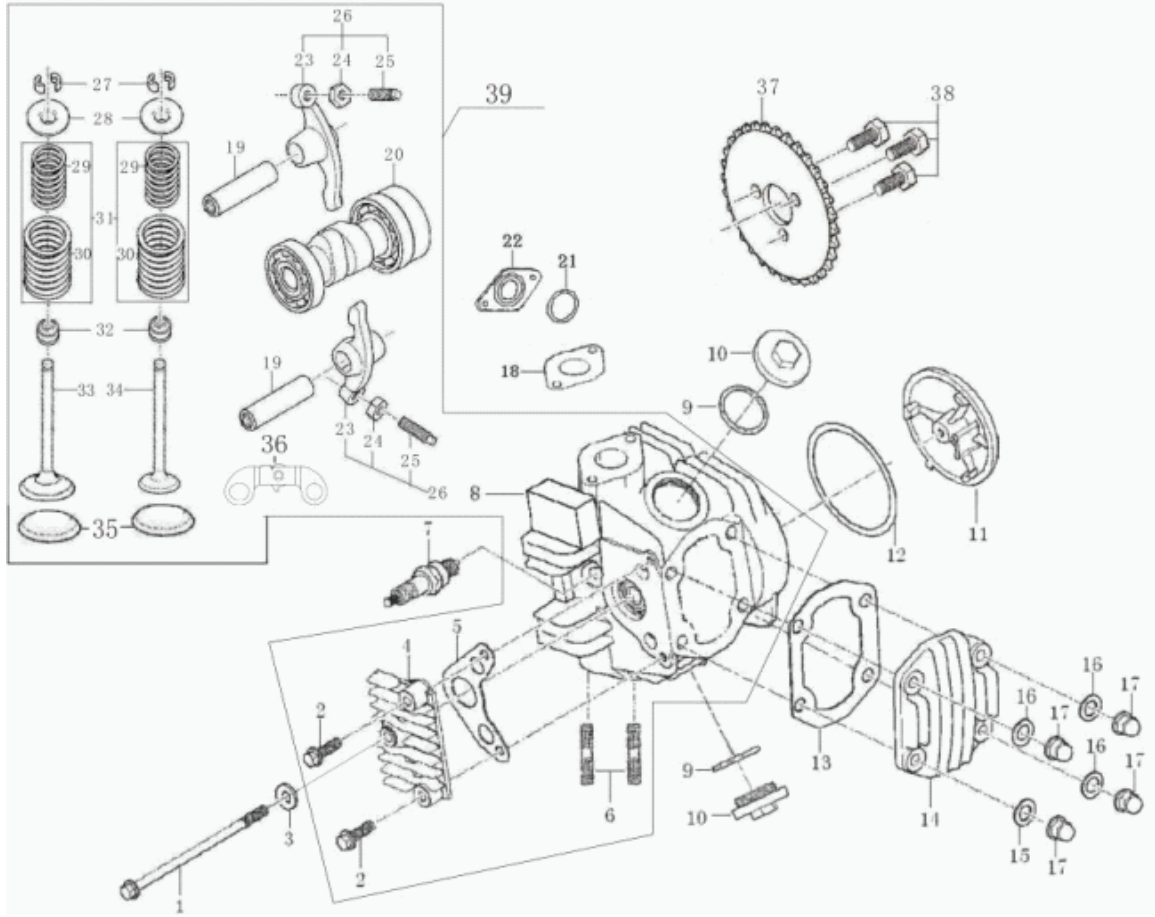
Ref. No.	Part No.	Description	Qty F
----------	----------	-------------	----------

1	1M0CC0736	ENGINE	1
---	-----------	--------	---



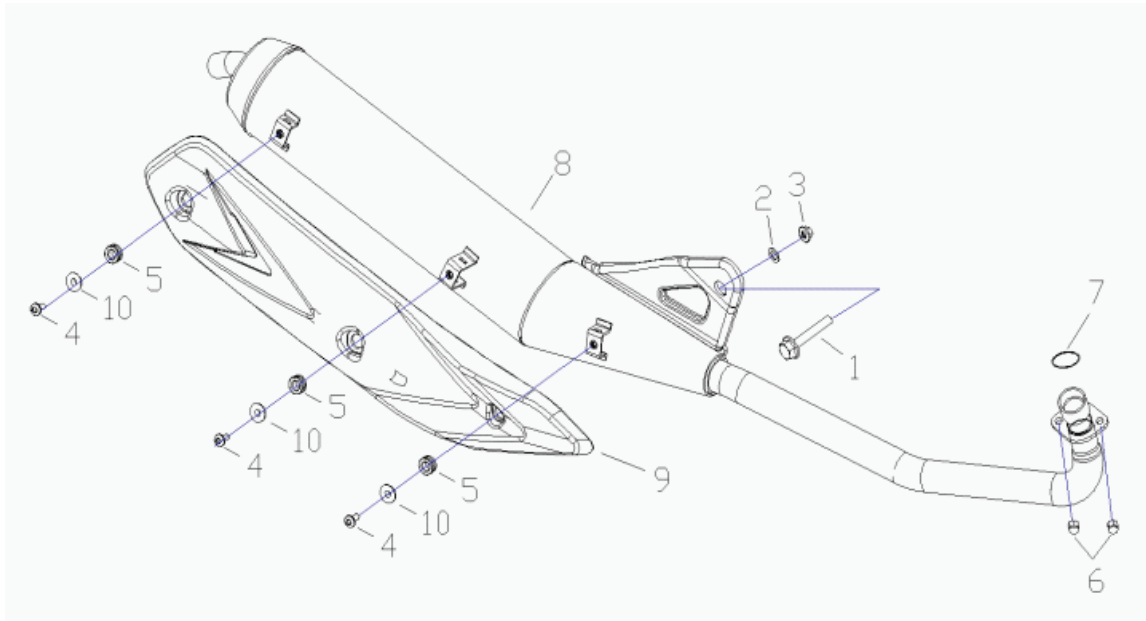
1

CYLINDER HEAD ASSY



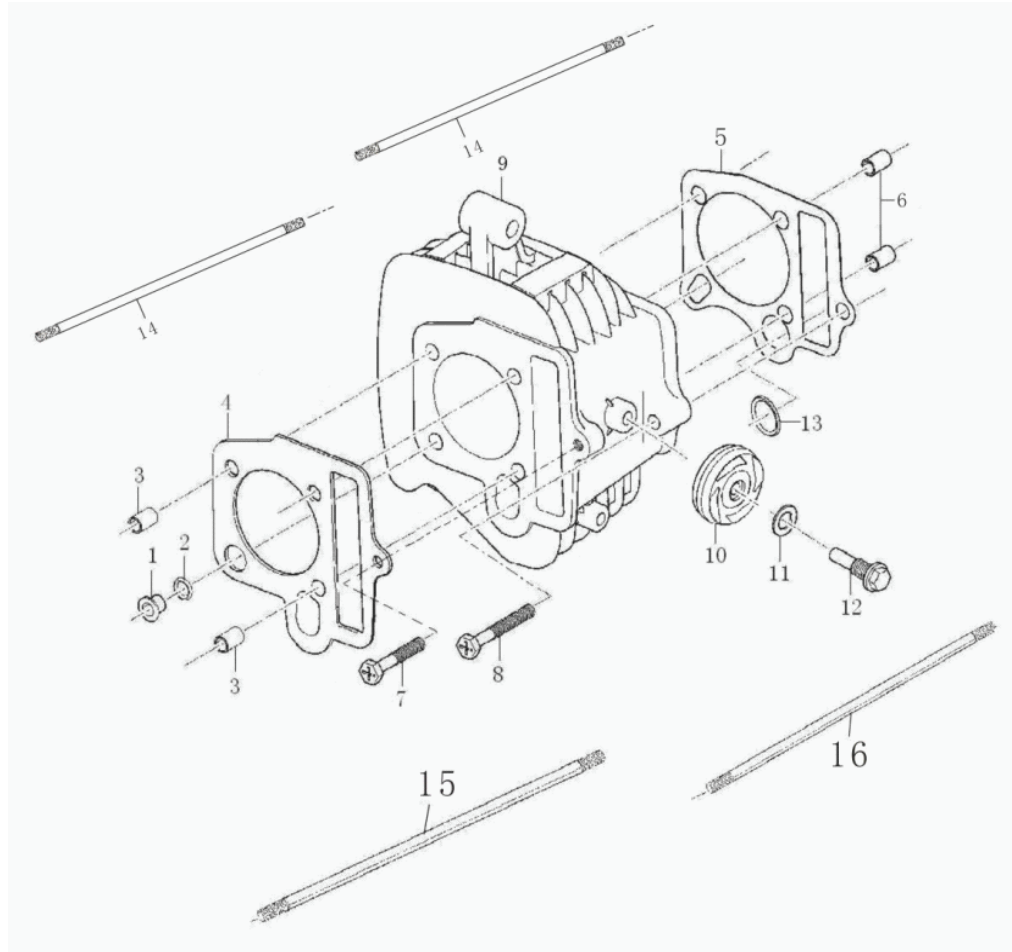
Ref. No.	Part No.	Description	Qty F
1	100100492-0007	BOLT M6X110	1
2	100011534-0002	BOLT M6X25	2
3	100106540	WASHER DIA.6.5X1XDIA.12	1
4	100205661-0006	RIGHT COVER CYLINDER HEAD	1
5	100208500	GASKET R.CYLINDER HEAD COVER	1
6	100100438-0002	BOLT M6X32	2
7	100104129	SPARK PLUG	1
8	100132820-0003	CYLINDER HEAD ASSY	1
9	100107742	O-RING DIA.29.6X3.2	2
10	100102869-0013	COVER VALVE CHAMBER	2
11	100205635-0007	CYLINDER HEAD LEFT COVER	1
12	100208489	GASKET L.CYLINDER HEAD COVER	1
13	100208480	GASKET CYLINDER HEAD UPPER COVER	1
14	100205587-0009	UPPER COVER CYLINDER HEAD	1
15	100106565	WASHER DIA.6.2X2XDIA.13	1
16	100106337	WASHER DIA.6.2X2XDIA.13	3
17	100100507-0004	NUT M6	4
18	100201126	GASKET INLET PIPE	1
19	100105148	ROCKER SHAFT	2
20	100200112	CAMPSHAFT COMP	1
21	100107728	O-RING DIA.25X2.4	1
22	100104606	GASKET CARBURETOR	1
23	100066182	ROCKER ARM	2
24	100105156	NUT VALVE CLEARANCE	2
25	100105167	SCREW VALVE CLEARANCE	2
26	100200404	ROCKER ARM ASSY VALVE	2
27	100105320	VALVE LOCKER	4
28	100105305	SPRING SEAT	2
29	100200681	VALVE INNER SPRING	2
30	100200667	VALVE OUTER SPRING	2
31	100200724	INNER SPRING ASSY	2
32	100062531	SEAL VALVE STEM	2
33	100200570	INTAKE VALVE	1
34	100200615	EXHAUST VALVE	1
35	100105313	OUTER VALVE SPRING RETAINER	2
36	100205538	LIMIT PLATE REDUCTING VALVE	1
37	100105029	TIMING DRIVEN SPROCKET	1
38	100100487	BOLT M5X12	3
39	100320042	CYLINDER HEAD PARTS	1

MUFFLER



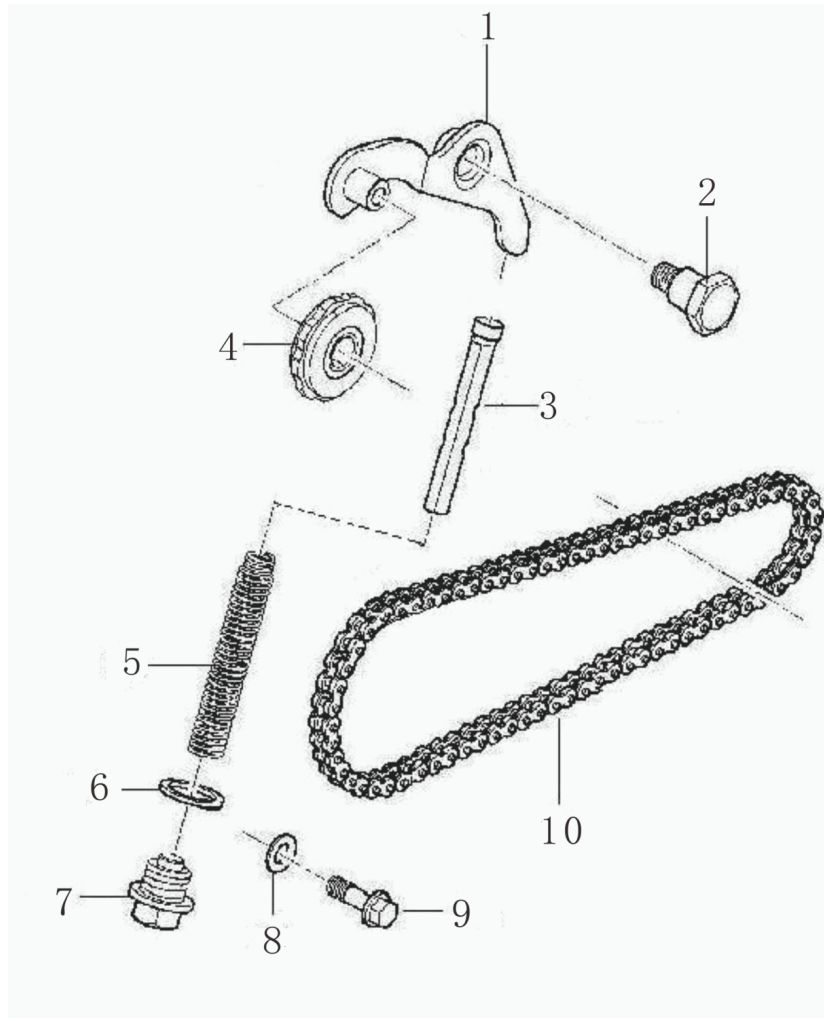
Ref. No.	Part No.	Description	Qty
			F
1	B0578900080040T1X	BOLT M8X40	1
2	B0009601080000K1X	WASHER 8	1
3	B061870108000061X	NUT M8	1
4	9A113-1060-01671X	SCREW M6X16	3
5	6222D-0000-1200	RUBBER PAD	3
6	91202-1080-01831X	CAP NUT M8X17.5	2
7	18030-H206-0000	SEAL PAD, EXHAUST MUFFLER	1
8	18000-H418-210002	MUFFLER	1
9	18040-H0E5-000066	COVER REAR, EXHAUST MUFFLER	1
10	91302-0060-15071X	WASHER FLANGED	3

CYLINDER ASSEMBLY



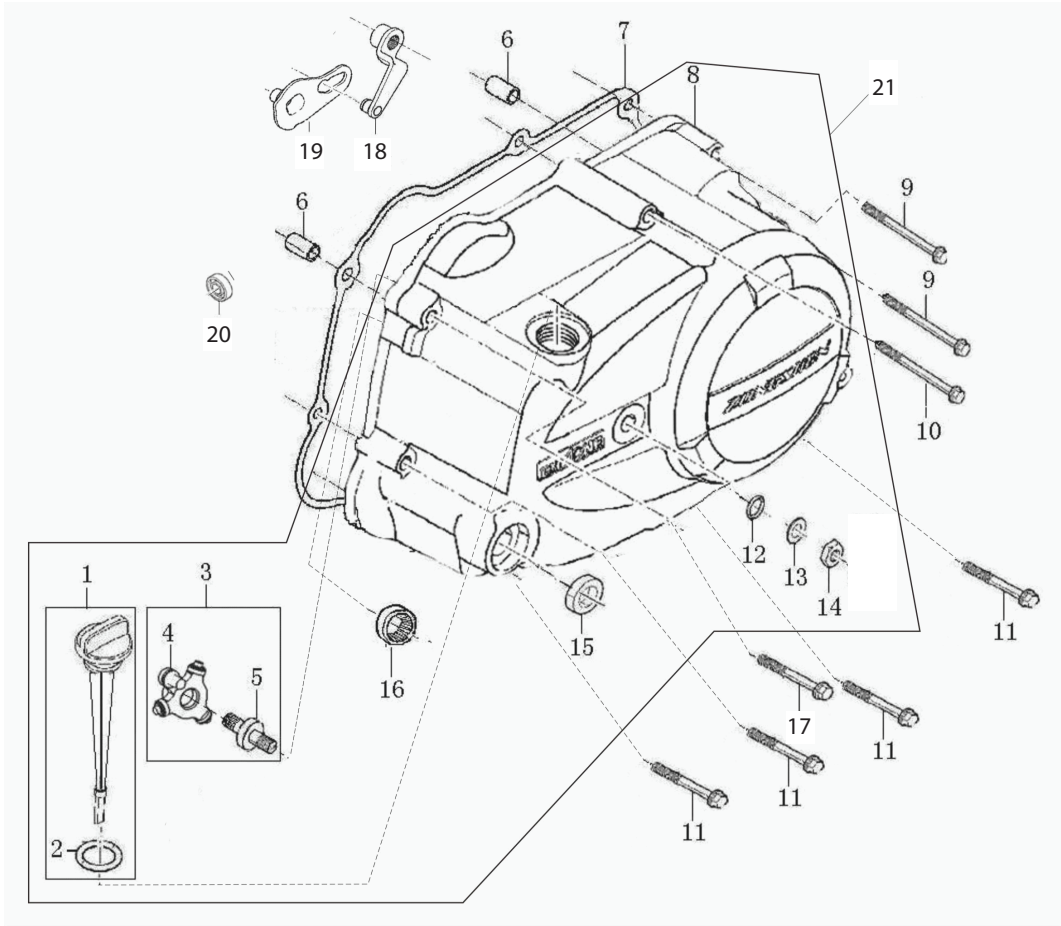
Ref. No.	Part No.	Description	Qty
			F
1	100102874	BUSH 9.5	1
2	100104512	RETANGLE RING 8X10.8X1.5	1
3	100101211	DOWEL PIN DIA.8X14XDIA.7	2
4	100208816	GASKET ASSY CYLINDER HEAD	1
5	100208557	GASKET ASSY CYLINDER BLOCK	1
6	100101210	DOWEL PIN DIA.8X12XDIA.7	2
7	100100382-0007	BOLT M6X23	1
8	100204662-0007	BOLT M6X30	1
9	100207321-0011	CYLINDER BLOCK ASSY	1
10	100200330	GUIDE CHAIN ROLLER PIN	1
11	100200330	WASHER DIA.8X1.5XDIA.14	1
12	100105067-0006	GUIDE CHAIN ROLLER PIN	1
13	100104513	RETANGLE RING 11.5X16X2.5	1
14	100100231	CYLINDER STUD BOLT A	2
15	100100290	CYLINDER STUD BOLT B	1
16	100100289	CYLINDER STUD BOLT B	1

VALVE MECHANISM



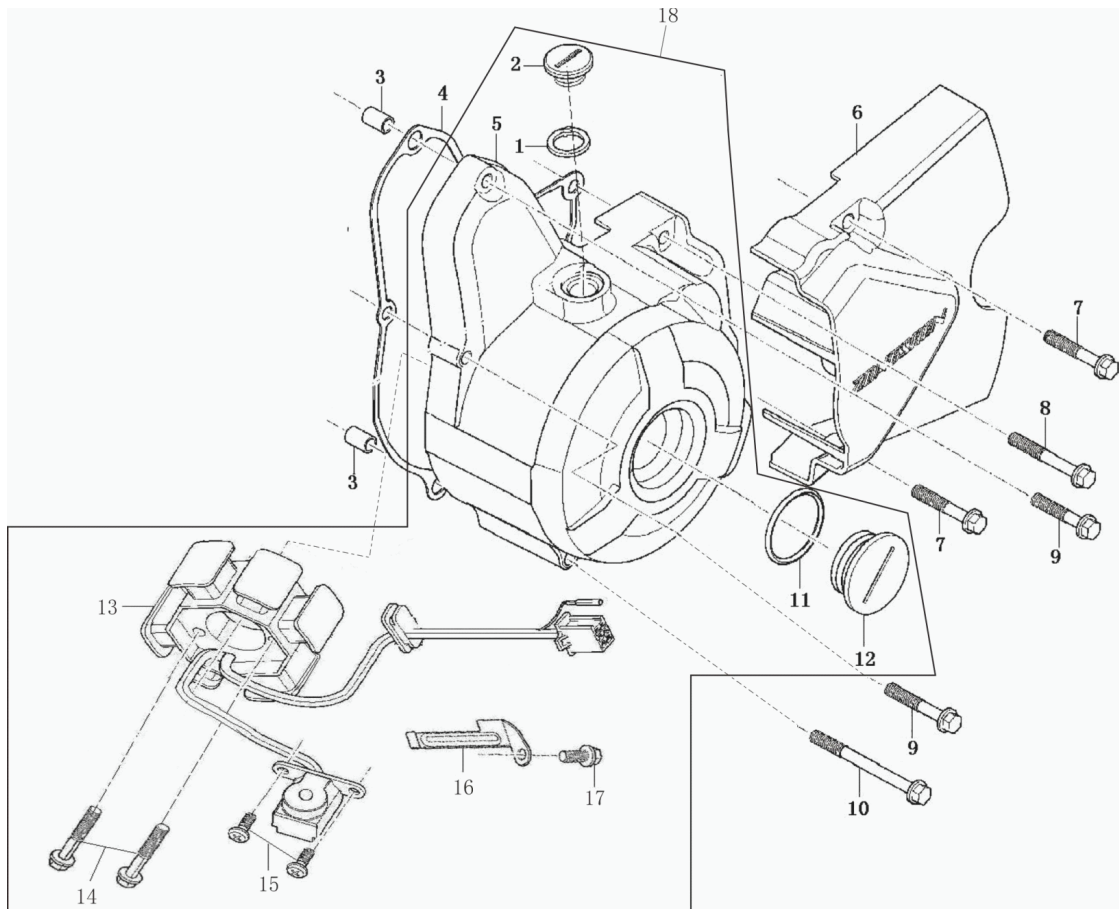
Ref. No.	Part No.	Description	Qty
			F
1	100105256	CHAIN ADJUSTING SET	1
2	100105207	AXLE TENSIONER LEVER	1
3	100105253	CAM CHAIN TENSIONER PUSH ROD	1
4	100105239	PLUG OF TIGHTENER	1
5	100105204	SPRING	1
6	100106552	WASHER DIA.14X1.5XDIA.20	1
7	100100343-0007	SEALING PLUG M14X1.5	1
8	100106538	WASHER DIA.6.2X1.5XDIA.13	1
9	100033099-0006	BOLT M6X18	1
10	100105089	SPROCKET CHAIN	1

RIGHT CRANKCASE COVER



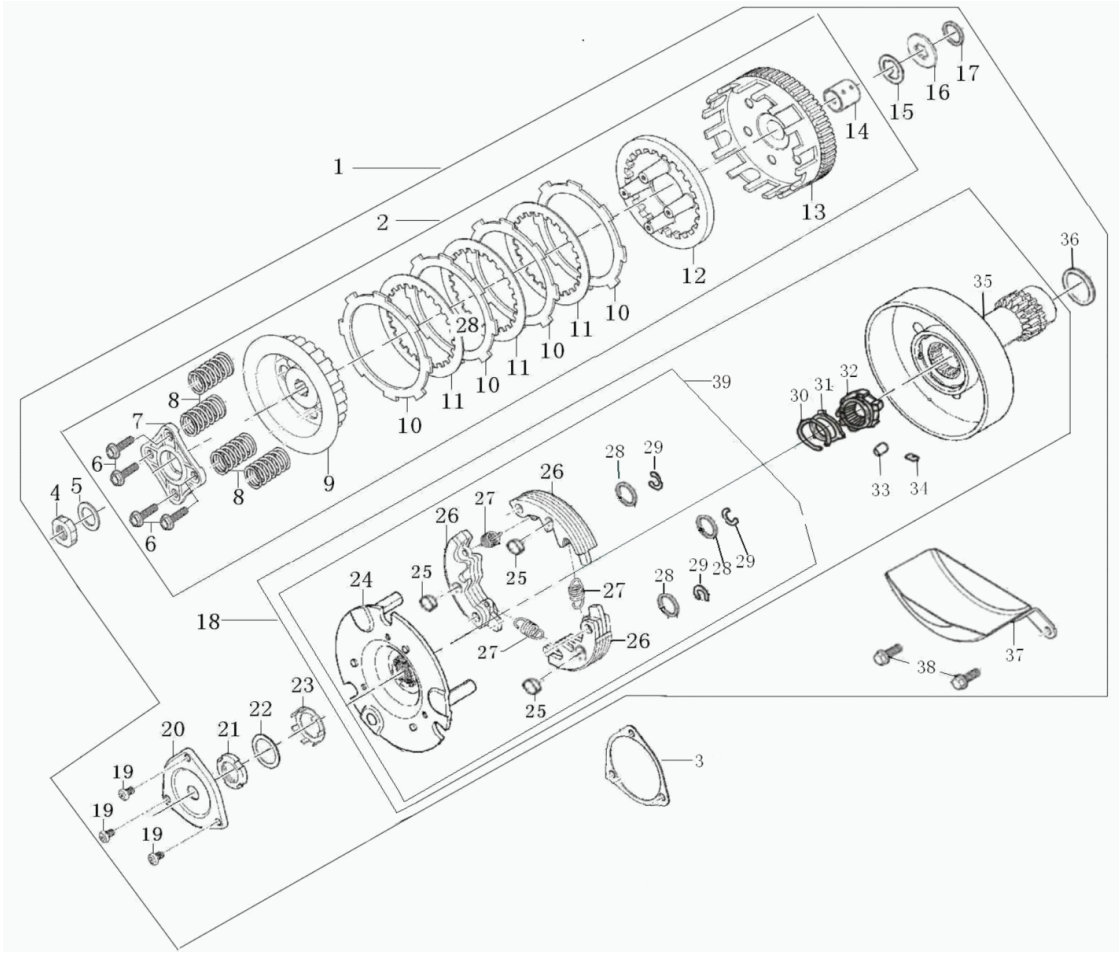
Ref. No.	Part No.	Description	Qty
			F
1	100200056-0002	OIL RULER ASSY	1
2	100031604	O-RING DIA.18X3	1
3	100203191-0001	CLUTCH TAPPET	1
4	100203183	CLUTCH TAPPET	1
5	100100372-0001	BOLT M8	1
6	100100867	DOWEL PIN DIA.8X12XDIA.6.3	2
7	100208630	GASKET R. CRANKCASE	1
8	100202572-0072	COVER COMP R.CRANKCASE	1
9	100031960-0007	BOLT M6X80	2
10	100011543-0001	BOLT M6X65	1
11	100011538-0003	BOLT M6X40	4
12	100107836	O-RING DIA.8X1.8	1
13	100059272	WASHER	1
14	100100562-0002	NUT	1
15	100104729	OIL SEAL 13.8X24X5	1
16	100101058	NEEDLE BEARING	1
17	100033087-0006	BOLT M6X42	1
18	100051306	CLUTCH MANIPULATE ARM COMBINATION	1
19	100103450	CAM PLATE ASSY CLUTCH	1
20	100031716	BEARING 6000	1
21	100304475	COVER COMP RIGHT CRANKCASE	1

LEFT CRANKCASE COVER



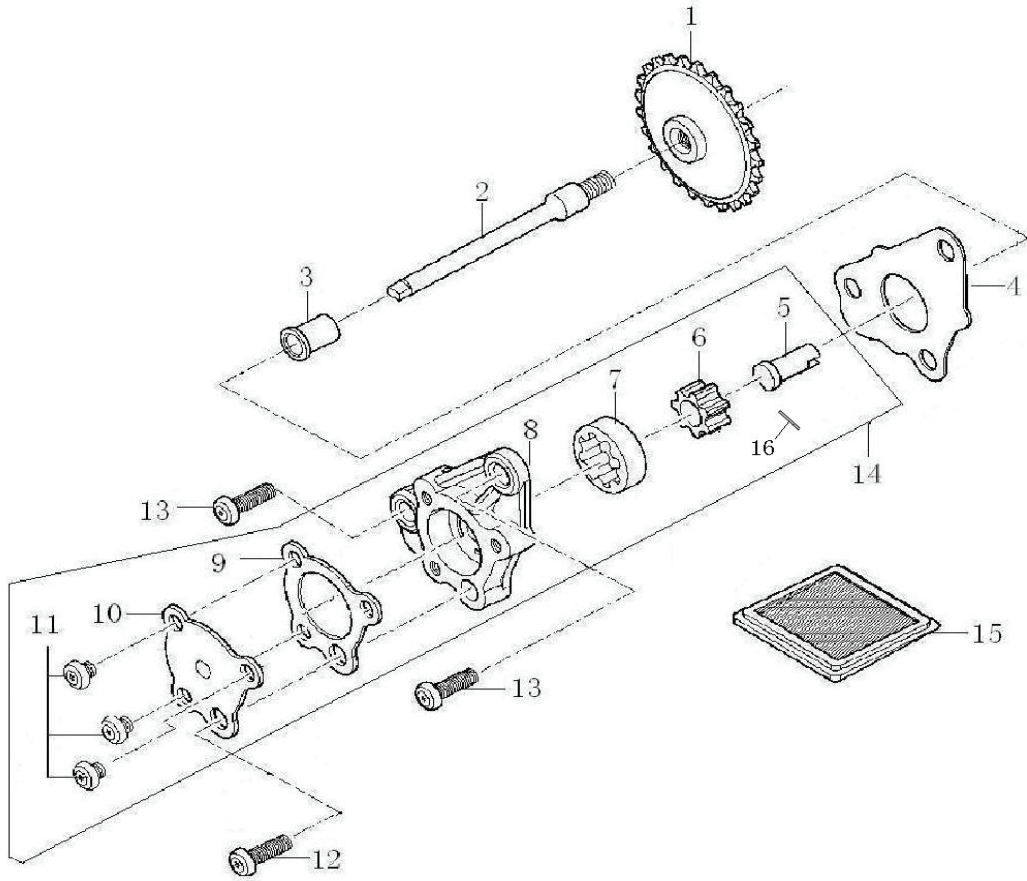
Ref. No.	Part No.	Description	Qty
			F
1	100010074	O-RING DIA.13.2X2.65	1
2	100103059-0016	CAP SMALL VIEW HOLE	1
3	100100867	DOWEL PIN DIA.8X12XDIA.6.3	2
4	100208510	GASKET L.CRANKCASE COVER	1
5	100204895-1504	FRONT PART L.CRANKCASE COVER	1
6	100202220-0029	BACK PART L.CRANKCASE COVER	1
7	100055587-0006	BOLT M6X28	2
8	100011537-0002	BOLT M6X35	1
9	100031957-0007	BOLT M6X32	2
10	100031959-0007	BOLT M6X70	1
11	100107731	O-RING DIA.27.4X2.65	1
12	100103062-0015	CAP BIG VIEW HOLE	1
13	100205028-0003	STATOR ASSY MAGNETO	1
14	100011534-0002	BOLT M6X25	1
15	100011168-0003	BOLT M5X12	2
16	100103067	FIXING PLATE MAGNETO CABLE	1
17	100055589-0006	BOLT M6X16	1
18	100304463	LEFT COVER PARTS	1

CLUTCH ASSY



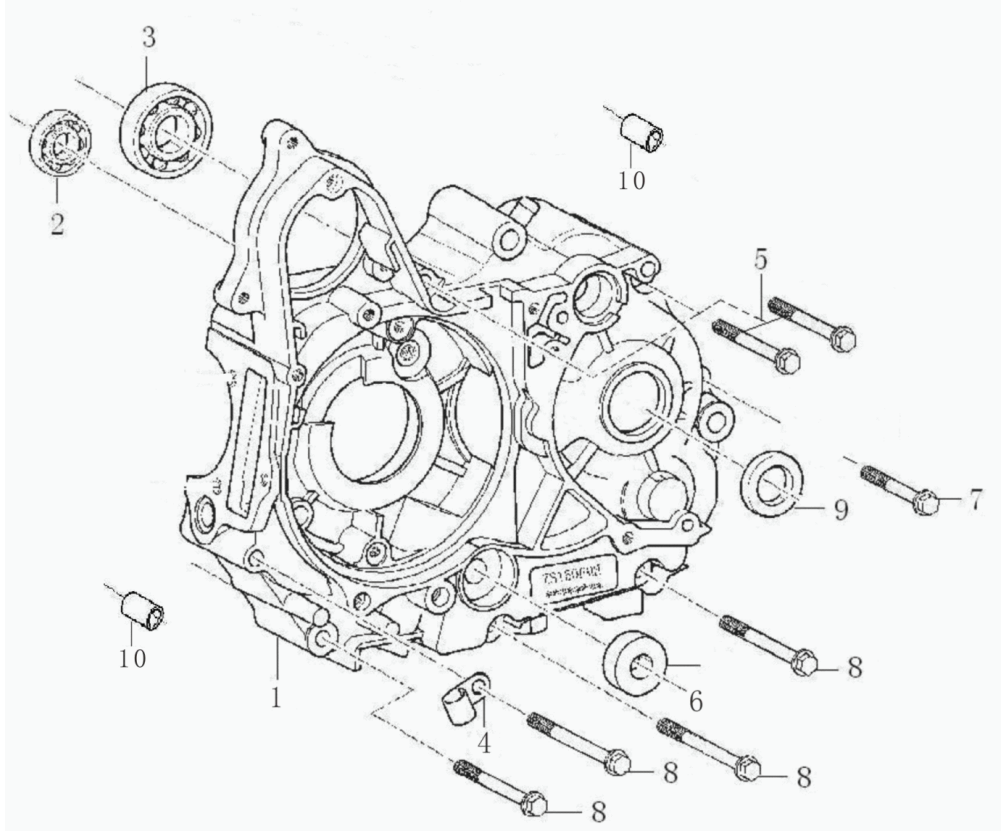
Ref. No.	Part No.	Description	Qty
			F
1	100202781	CLUTCH ASSY	1
2	100301310	CLUTCH ASSY	1
3	100208791	GASKET PRIMARY CLUTCH COVER	1
4	100100514	LOCK NUT CLUTCH	1
5	100103344	DISH WASHER CLUTCH	1
6	100011267-0003	BOLT M6X22	4
7	100301347	END COVER CLUTCH	1
8	100301379	SPRING CLUTCH	4
9	100103357	CENTER SLEEVE CLUTCH	1
10	100301461	DRIVE FRICTION DISK	4
11	100103420	OUTER FRICTION DISK A	3
12	100301355	PRESSURE PLATE CLUTCH	1
13	100301404	OUT CASE ASSY CLUTCH	1
14	100103352	SLEEVE CLUTCH	1
15	100103350	FIXING RING CLUTCH	1
16	100103340	WASHER	1
17	100103348	SPACER SLEEVE CLUTCH	1
18	100303503	ASSY PRIMARY CLUTCH	1
19	100031847-0006	SCREW M5X8	3
20	100103460	COVER PRIMARY CLUTCH	1
21	100100528	LOCK NUT PRIMARY CLUTCH	1
22	100103343	DISH WASHER CLUTCH	1
23	100103459	STOP WASHER PRIMARY CLUTCH	1
24	100303533	DRIVE DISK PRIMARY CLUTCH	1
25	100103468	SHAKE ABSORBER	3
26	100303537	COUNTER WEIGHT SET PRIMARY CLUTCH	3
27	100203228	SPRING PRIMARY CLUTCH	3
28	100303507	STOP WASHER PRIMARY CLUTCH	3
29	100103461	CIRCLIP PRIMARY CLUTCH	3
30	100103462	CIRCLIP PRIMARY CLUTCH	1
31	100106533	WASHER DIA.29.5X0.8XDIA.38	1
32	100103471	INNER PLATE OVERRUNNING CLUTCH	1
33	100100637	PIN	6
34	100103467	SPRING	6
35	100108014	OUTER CASE PRIMARY CLUTCH	1
36	100103457	THRUST WASHER PRIMARY CLUTCH	1
37	100202930	OIL INSULATING CLUTCH	1
38	100011173-0003	BOLT M6X16	2
39	100303529	DRIVE DISK ASSY PRIMARY CLUTCH	1

OIL PUMP



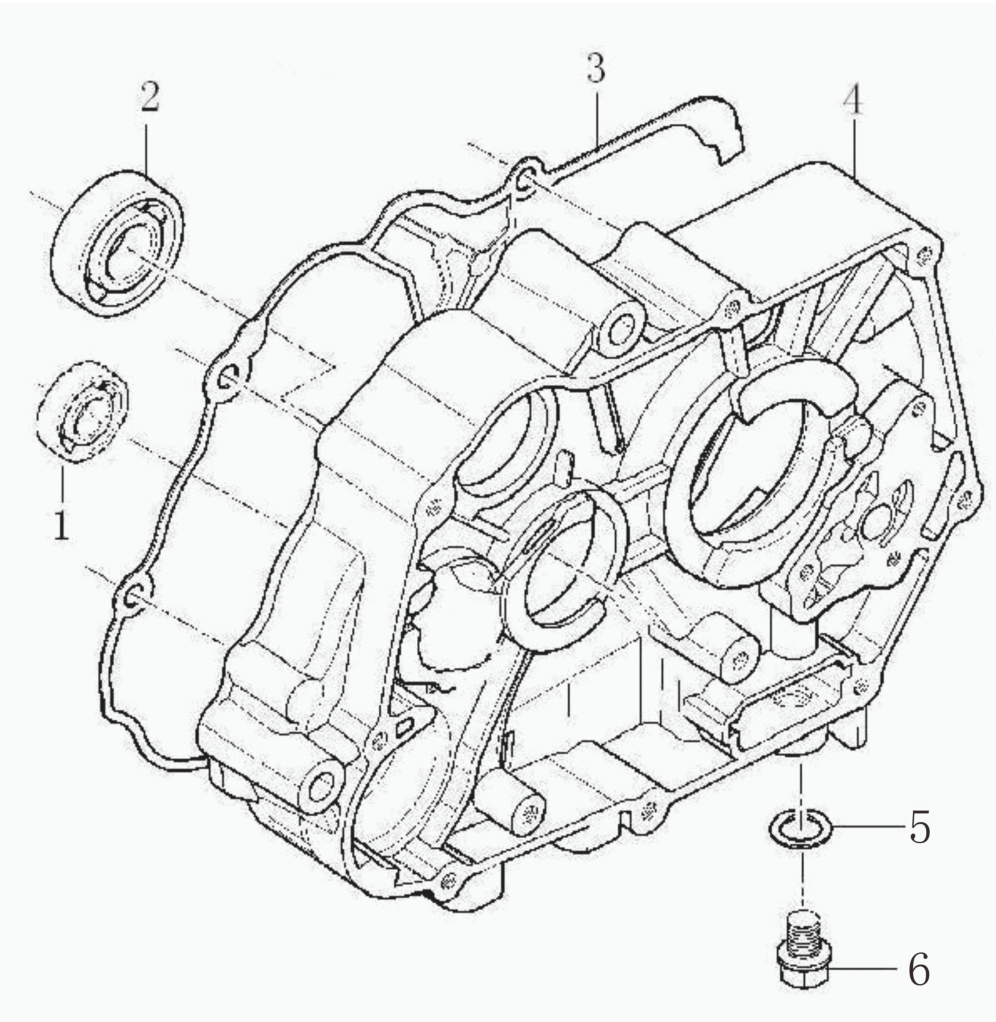
Ref. No.	Part No.	Description	Qty
			F
1	100104951	HUB DUMP CHAIN SPROCKET OIL PUMP	1
2	100104914	OIL PUMP SPROCKET SHAFT	1
3	100104916	BUSH SPROCKET	1
4	100104601	GASKET OIL PUMP	1
5	100204475	SHAFT OIL PUMP	1
6	100204475	INNER ROTOR OIL PUMP	1
7	100204600	OUTER ROTOR OIL PUMP	1
8	100204541	OIL PUMP BODY	1
9	100208792	GASKET OIL PUMP COVER	1
10	100100159	OIL PUMP COVER	1
11	100010953-0001	SCREW M5X10	3
12	100031854-0002	SCREW M6X22	1
13	100031852-0005	SCREW M6X16	2
14	100204455	OIL PUMP ASSY	1
15	100104941	STRAINER OIL PUMP	1
16	100032890	PIN DIA.2.5X10	1

LEFT CRANKCASE



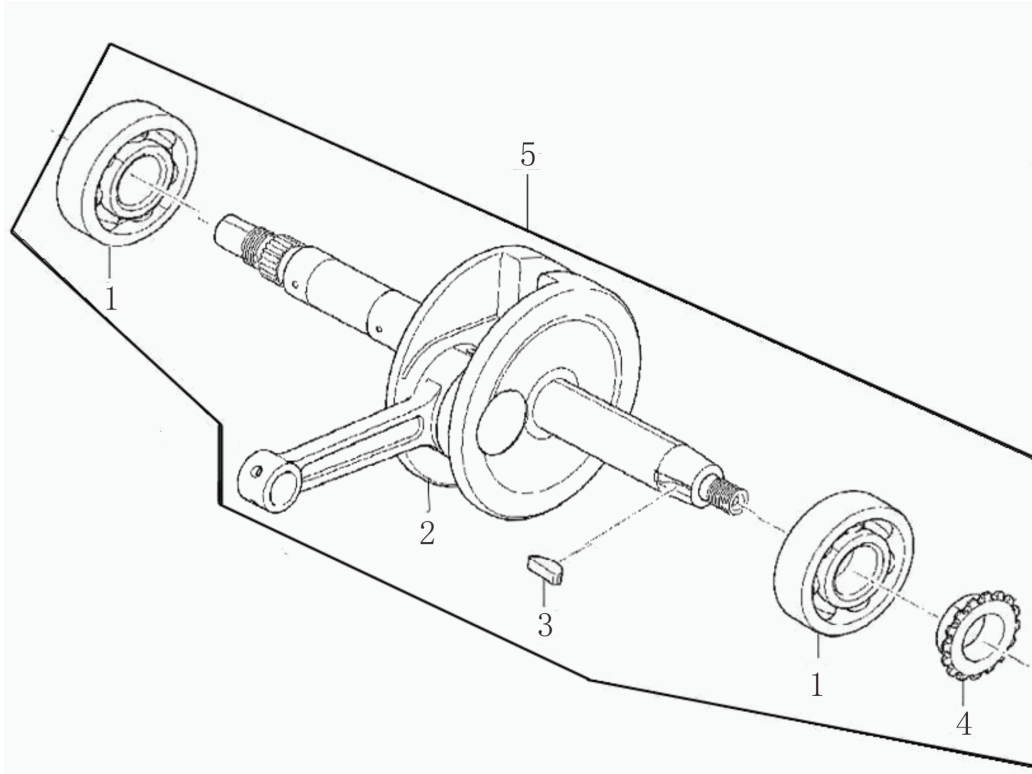
Ref. No.	Part No.	Description	Qty
			F
1	100102935-0011	LEFT CRANKCASE BLOCK	1
2	100010667	BEARING 6001	1
3	100010678	BEARING 6203	1
4	100102915-0005	CLIP OVERFLOW PIPE	1
5	100011542-0001	BOLT M6X60	2
6	100104647	OIL SEAL 11.6X24X10	1
7	100011540-0007	BOLT M6X50	1
8	100011543-0001	BOLT M6X65	4
9	100104696	OILS SEAL 17X29X5	1
10	100102729	DOWEL PIN DIA. 10X14	2

RIGHT CRANKCASE



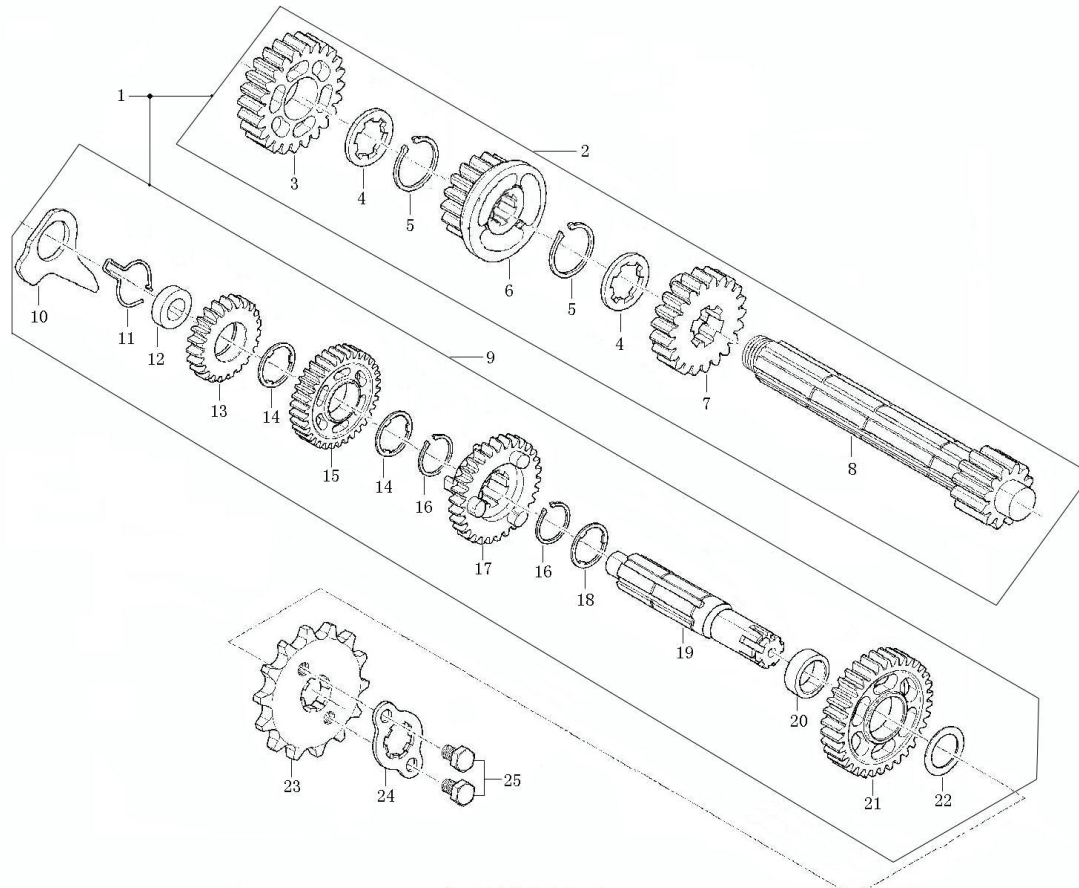
Ref. No.	Part No.	Description	Qty
			F
1	100010676	BEARING 6201	1
2	100010678	BEARING 6203	1
3	100208679	GASKET CRANKCASE	1
4	100103015-0013	RIGHT CRANKCASE BLOCK	1
5	100106548	WASHER DIA.12.1X2XDIA.20	1
6	100100331-0006	OIL DRAIN PLUG	1

CRANKSHAFT CONNECTING-ROD ASSY



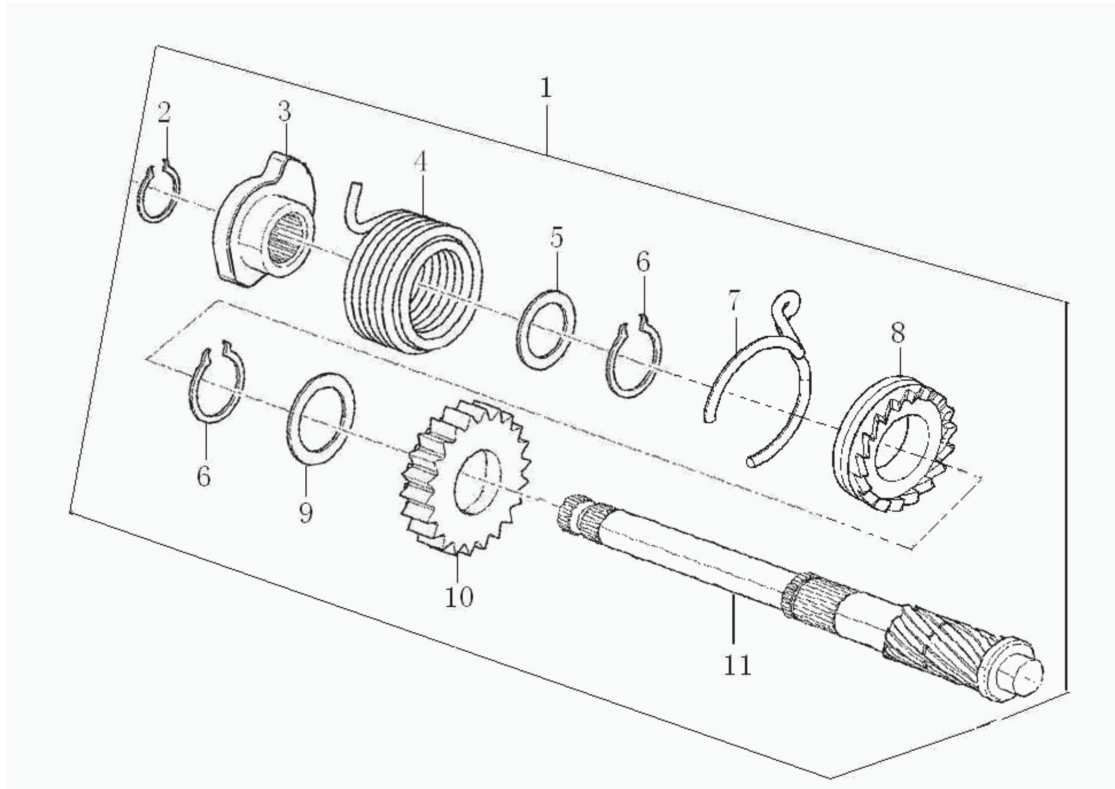
Ref. No.	Part No.	Description	Qty
			F
1	100010685	BEARING 6304	2
2	100207053	CONNECTING ROD COMP 3	1
3	100100639	SEMICIRCULAR KEY	1
4	100101953	HUB DUMP CHAIN SPROCKET	1
5	100068320	CRANKSHAFT CONNECTING ROD ASSY	1

TRANSMISSION MAIN, COUNTER SHAFT



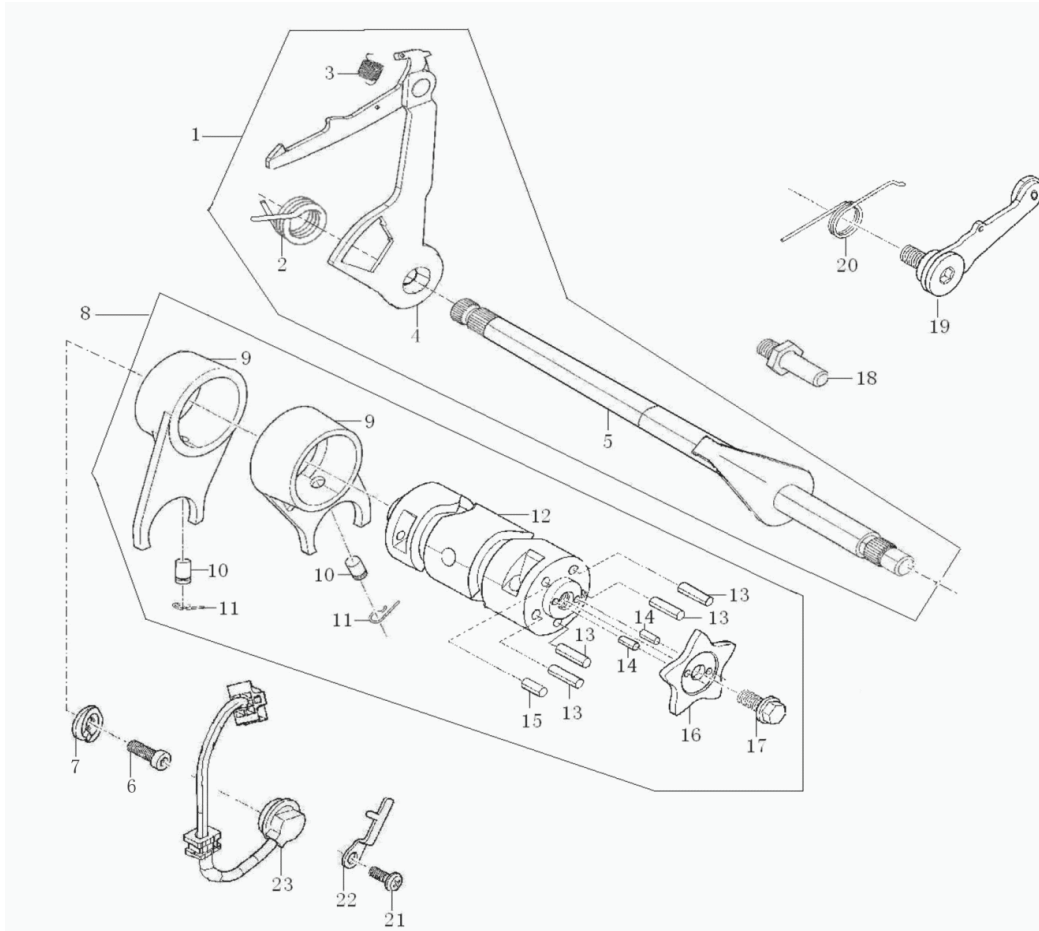
Ref. No.	Part No.	Description	Qty
			F
1	100203271	TRANSMISSION MAIN COUNTER SHAFT	1
2	100203420	MAIN SHAFT TRANSMISSION	1
3	100103604	GEAR M-4	1
4	100203476	WASHER	2
5	100011099	RETAINING RING 17	2
6	100103603	GEAR M-3	1
7	100103602	GEARM-2	1
8	100203459	TRANSMISSION MAIN SHAFT	1
9	100203526	COUNTERSHAFT TRANSMISSION	1
10	100203634	LIMIT PLATE GEARSHAFT	1
11	100203631	DAMPING SPRING COUNTERSHAFT	1
12	100103570	SLEEVE	1
13	100103709	GEAR C-4	1
14	100203475	WASHER	2
15	100103708	GEAR C-3	1
16	100100629	CHECK RING DIA.18.5X1.2XDIA.22	2
17	100103707	GEAR C-2	1
18	100103646	WASHER	1
19	100203588	TRANSMISSION COUNTERSHAFT	1
20	100103776	COLLAR 20X9	1
21	100103706	GEAR C-1	1
22	100106520	WASHER DIA.17.2X1.2XDIA.26	1
23	100103800	DRIVE SPROCKET	1
24	100203657	FIXING PLATE DRIVE SPROCKET	1
25	100031911-0004	BOLT M6X10	2

KICK STARTING SHAFT ASSEMBLY



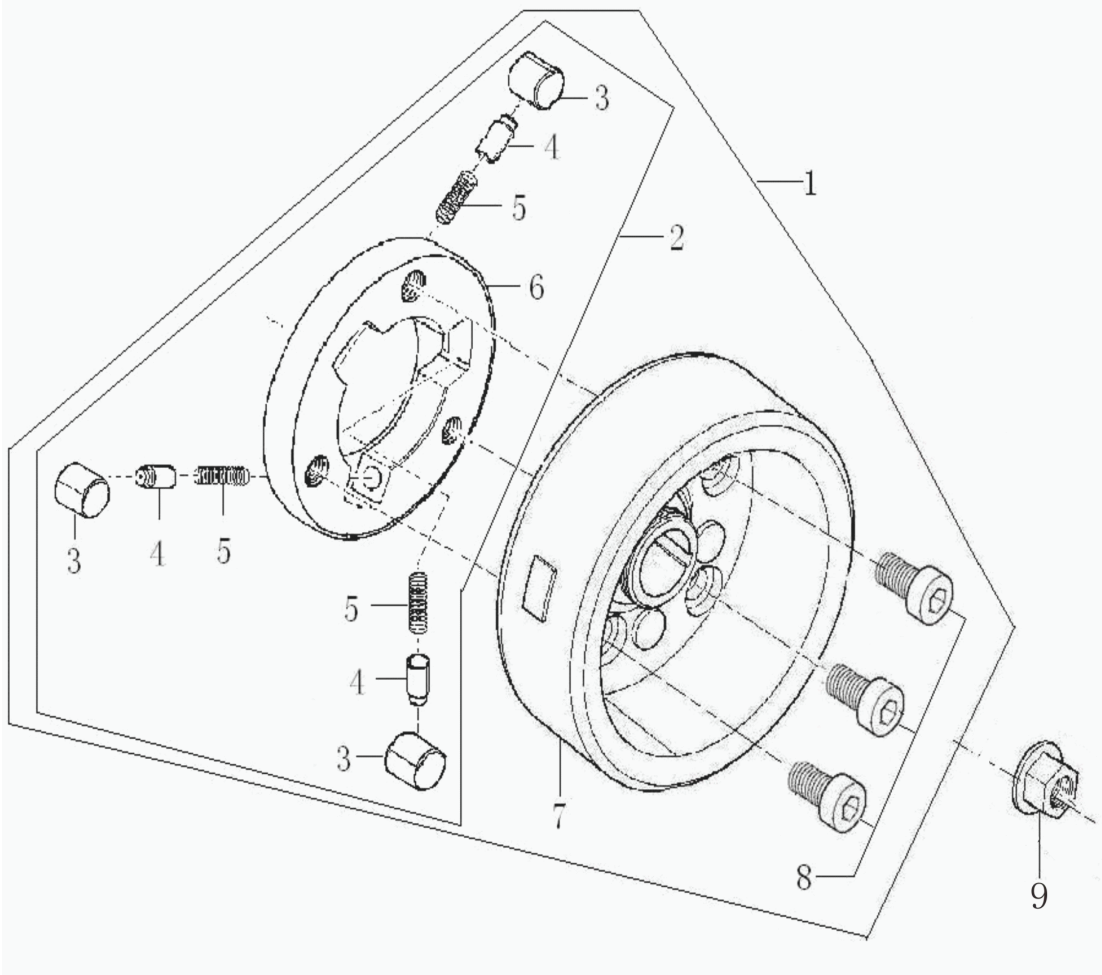
Ref. No.	Part No.	Description	Qty
			F
1	100201840	KICK STARTING SHAFT ASSY	1
2	100100595	CIRCLIP DIA. 15.5X1.2XDIA. 19	1
3	100105737	SEAT SPRING KICK STARTING SHAFT	1
4	100201899	RETURN SPRING KICK STARTING SHAFT	1
5	100106518	WASHER DIA. 17.2X1XDIA. 24	1
6	100100596	CIRCLIP DIA. 18.5X1.2XDIA. 21.1	2
7	100303348	SPRING KICK STARTING RATCHET WHEEL	1
8	100303337	STARTING RATCHET	1
9	100106527	WASHER DIA. 20.2X1XDIA. 27	1
10	100105767	GEAR KICK STARTER	1
11	100201907	PIVOT KICK STARTING SHAFT	1

GEARSHIFT MECHANISM



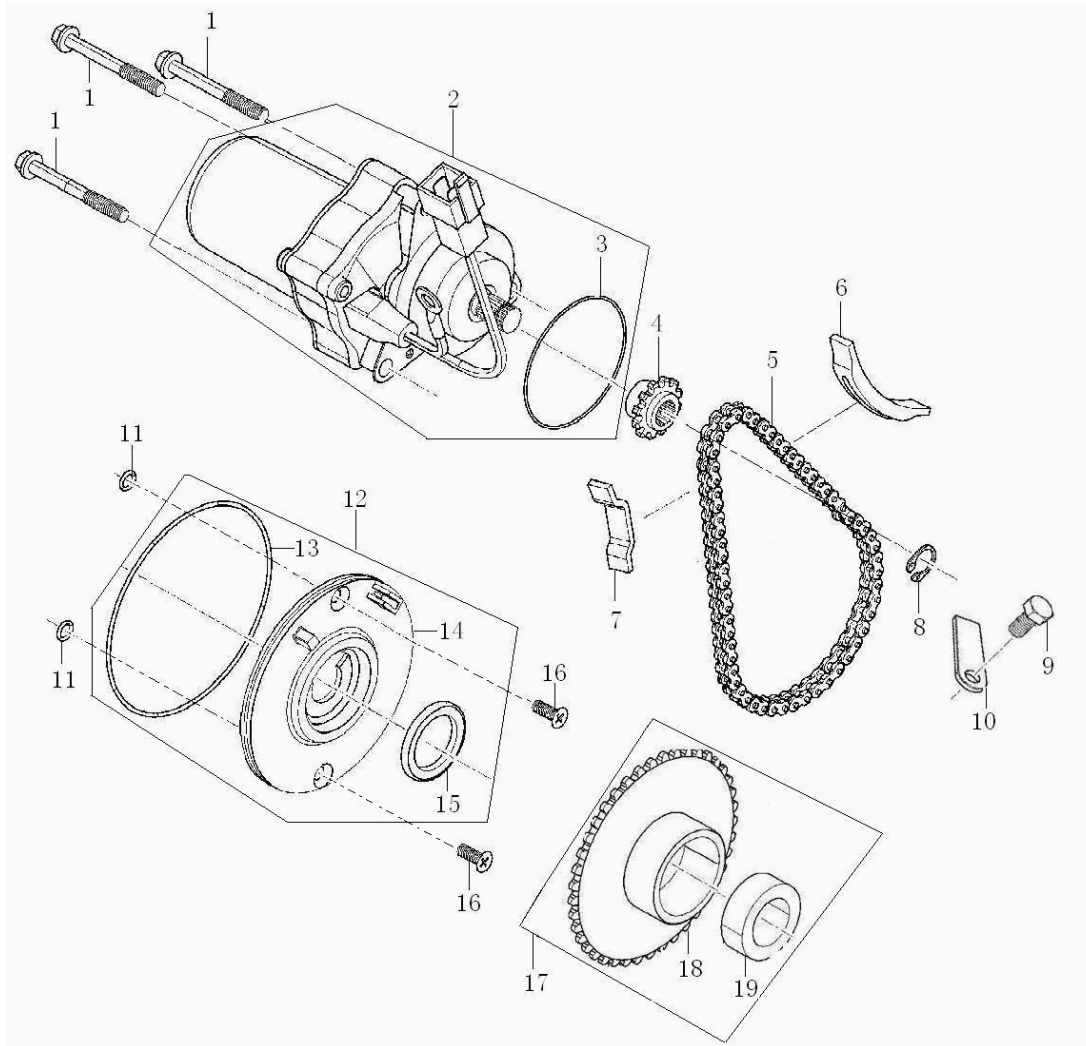
Ref. No.	Part No.	Description	Qty
			F
1	100203869-0001	GEAR SHIFT LEVER COMP	1
2	100203925	RETURN SPRING	1
3	100103996	GEARSHIFT LEVER TENSION SPRING	1
4	100203947	LIMIT SCREW	1
5	100203912	GEARSHIFT SHAFT COMP	1
6	100100465-0001	SCREW	1
7	100104486	CONTACT GEARINDICATION	1
8	100203779	GEARSHIFT DRUM COMP	1
9	100203714	GEARSHIFT FORK	2
10	100103891	GUIDE PIN	2
11	100103892	CLIP SPRING	2
12	100203822	GEARSHIFT DRUM	1
13	100100901	PIN DIA.4X13	4
14	100100888	PIN DIA.3X9	2
15	100100898	PIN DIA.4X9	1
16	100203806	STOPPING PLATE	1
17	100011264-0003	BOLT M6X16	1
18	100100392	BOLT RETURN SPRING FIXING 8X11	1
19	100203957	LOCATING PLATE ASSY	1
20	100103980	SPRING LOCATING PLATE	1
21	100031851-0004	SCREW M6X12	1
22	100104485	GEARSHIFT SWITCH PRESSING PLATE	1
23	100208384-0002	GEARSHIFT SWITCH LAMP	1

MAGNETO COMP



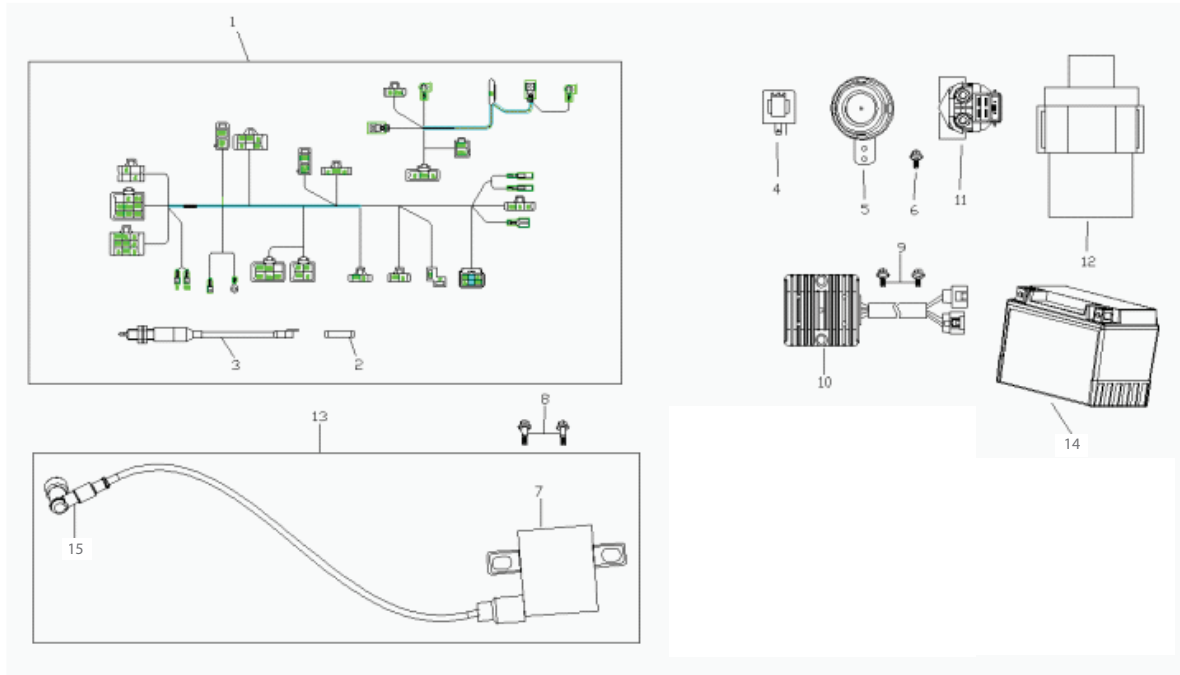
Ref. No.	Part No.	Description	Qty
			F
1	100205193	ROTOR ASSY MAGNETO	1
2	100103200	ASSY OVERRUNNING CLUTCH	1
3	100103211	CLUTCH ROLLER	3
4	100103213	CONE BLOCKAGE	3
5	100103210	SPRING	3
6	100202618	STARTING CLUTCH BODY	1
7	100066183	ROTOR ASSY MAGNETO	1
8	100010845-0001	BOLT M8X15	3
9	100204698-0001	NUT	1

ELECTRIC STARTING MECHANISM



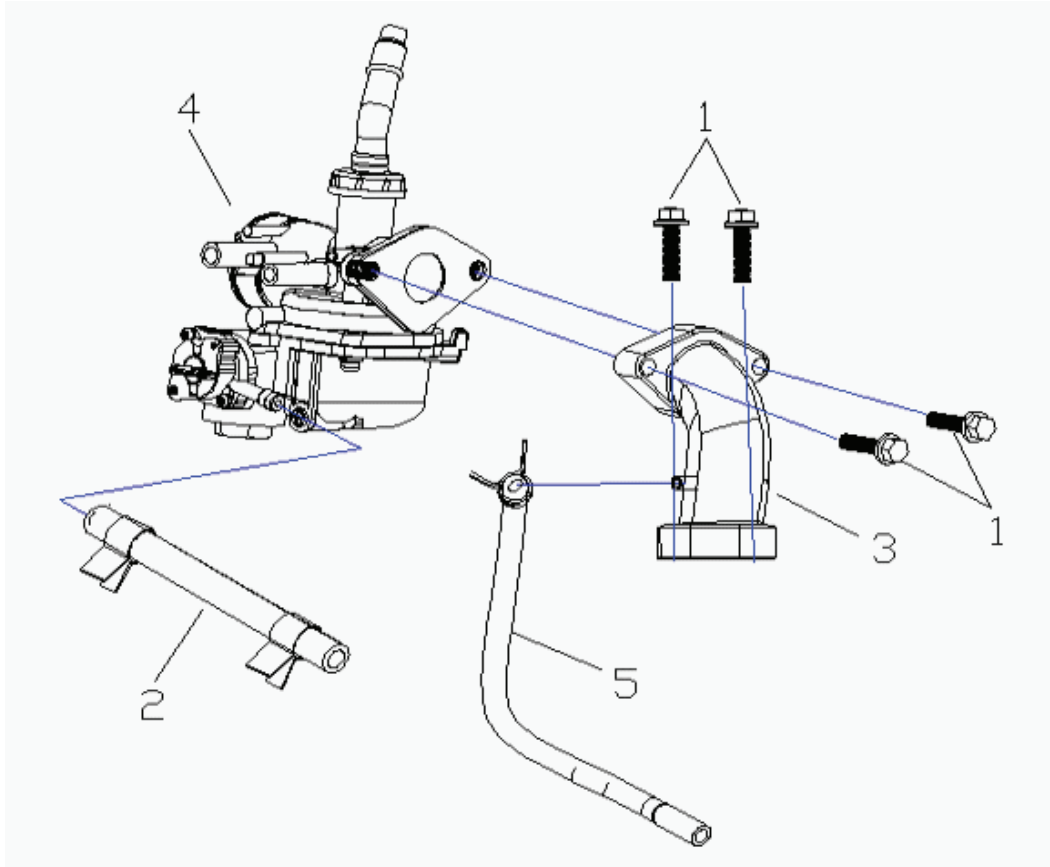
Ref. No.	Part No.	Description	Qty
			F
1	100011540-0007	BOLT M6X50	3
2	100205313-0013	STARTING MOTOR ASSY	1
3	100031594	O-RING DIA.52.5X2	1
4	100104271	SPROCKET	1
5	100103253	STARTING MOTOR DRIVE CHAIN	1
6	100103278	ASSY GUIDE PLATE	1
7	100103272	ASSY CHAIN PROTECT PLATE	1
8	100033003	RETAINING RING 11	1
9	100011171-0002	BOLT M6X12	1
10	100103247	PLATE START CLUTCH	1
11	100107799	O-RING DIA.6.5X1.8	2
12	100202677	DISK INSULATOR	1
13	100107650	O-RING DIA.106.8X2	1
14	100103246	DISK INSULATOR	1
15	100104777	OIL SEAL 30X42X4.5	1
16	100123471-0001	SCREW M6X16	2
17	100202694	PLATE GEAR ASSY	1
18	100202720	PLATE GEAR ASSY	1
19	100104785	OIL SEAL 19X30X5	1

ELECTRICAL PARTS



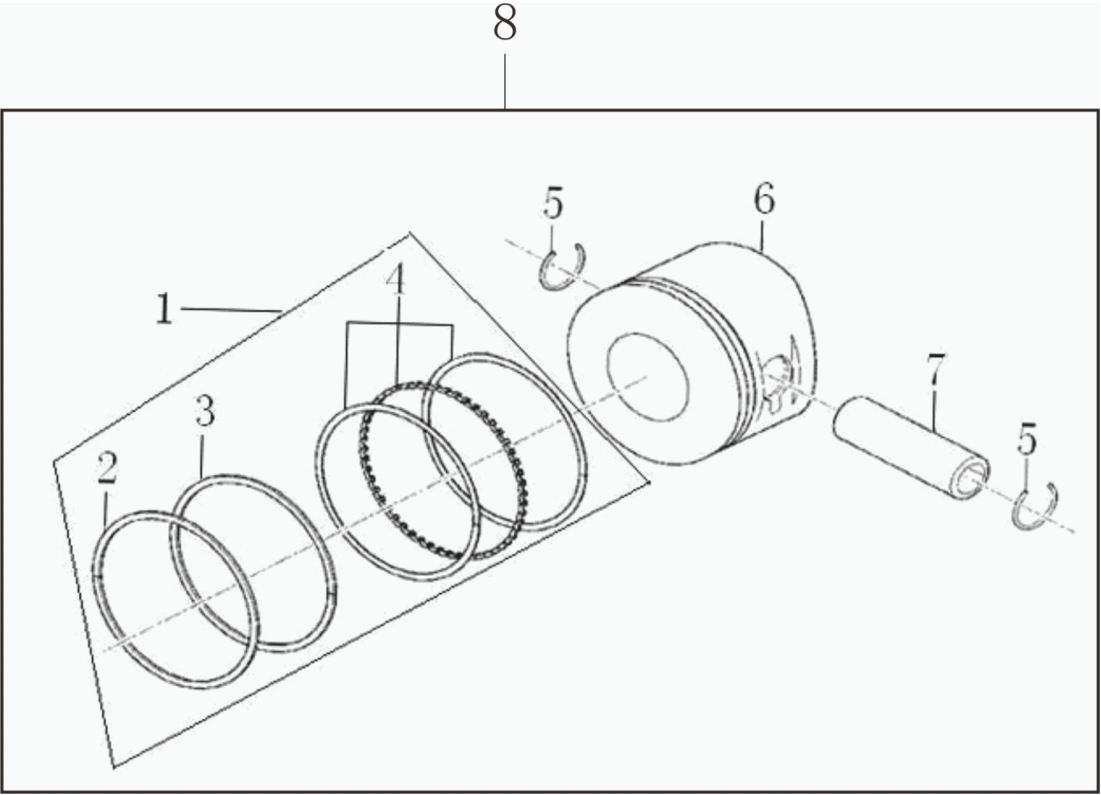
Ref. No.	Part No.	Description	Qty
			F
1	85100-H418-C00002	MAIN CABLE	1
2	85171-0000-0000	FUSE 10A	1
3	84600-H418-C000	SWITCH REAR BRAKING LAMP	1
4	85600-I126-C10001	FLASHER	1
5	85500-H259-0100	HORN	1
6	85500-H259-0100	BOLT M6X8	1
7	81120-H418-0000	IGNITION COIN BUNDLE	1
8	B057830005001671X	M5X16	2
9	B057890006001271X	BOLT M6X12	2
10	83100-H259-C000	RECTIFIER	1
11	82290-I258-0000	STARTING RELAY	1
12	81200-H259-0000	IGNITOR	1
13	81100-H418-0000	IGNITION COIL	1
14	26012-519-0017	BATTERY	1
15	81110-I357-0000	SPARK PLUG	1

CARBURETOR/INTAKE PIPE



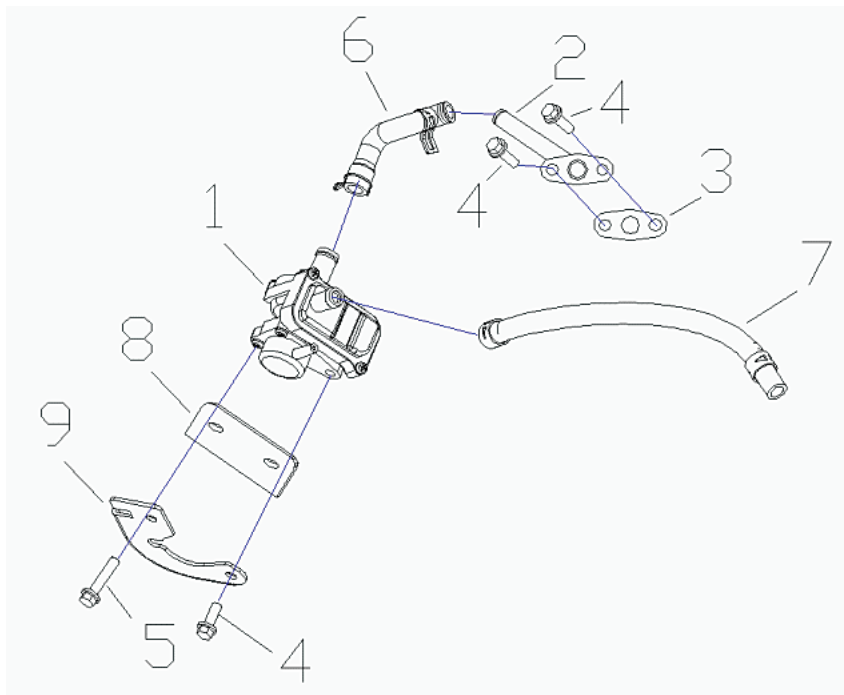
Ref. No.	Part No.	Description	Qty
			F
1	B166740106002571X	BOLT M6X25	4
2	613140070ZGT0000X	OIL PIPE ASSY 4X8X70	1
3	15800-H327-0000	INTAKE PIPE	1
4	17100-0000-030009	CARBURETOR	1
5	613140120ZGT0000XQ	OIL PIPE ASSY 4X8X120	1

PISTON



Ref. No.	Part No.	Description	Qty
			F
1	100303082	PISTON RING COMP	1
2	100206378	PISTON RING 1	1
3	100206436	PISTON RING 2	1
4	100054745	OIL RING ASSY	1
5	100100580	CHECK RING PISTON RING	2
6	100101356	PISTON	1
7	100101506	PIN PISTON	1
8	100206342	PISTON ASSY	1

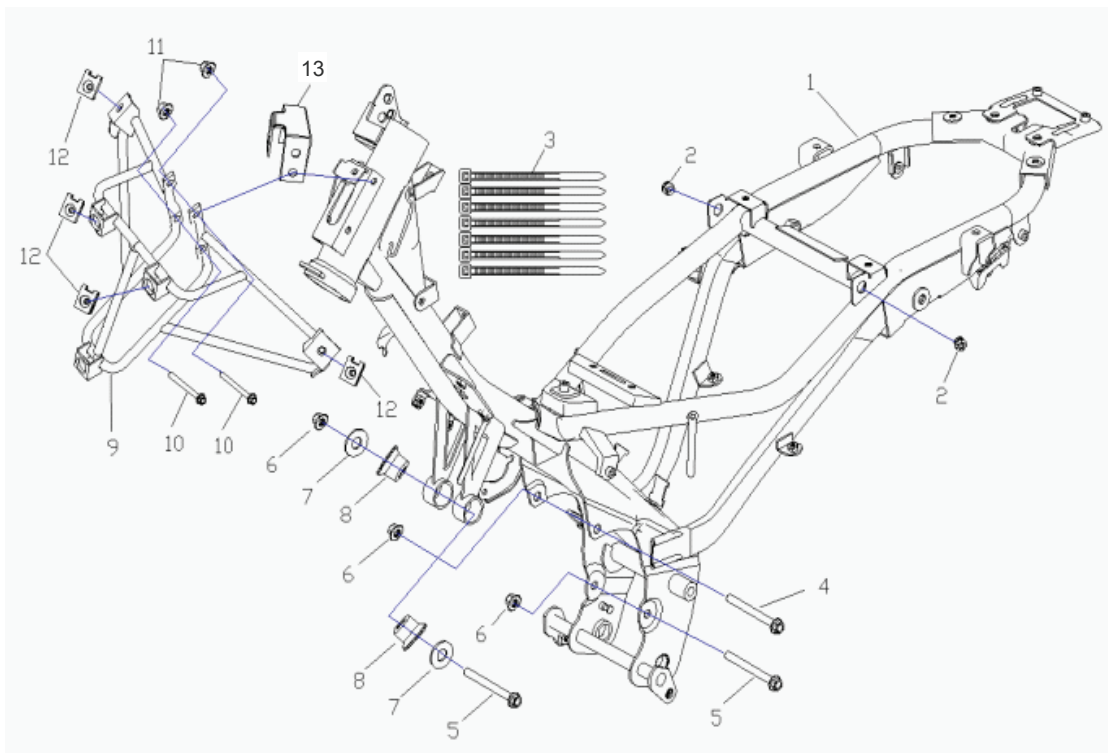
AIR PUMP



Ref. No.	Part No.	Description	Qty
			F
1	18090-G011-0200	AIR PUMP	1
2	1809B-G011-02000Y	EXHAUST IRON PIPE ASSY	1
3	90268-DA80-0000	EXHAUST IRON PIPE SEAL PAD	1
4	B166740106001671X	BOLT M6X16	3
5	B166740106002571X	BOLT M6X25	2
6	18092-0000-A001	EXHAUST RUBBER PIPE	1
7	18092-0000-970001	PIPE 9X15X(30+140)	1
8	90275-I008-0000	SECONDARY AIR PUMP BRACKET	1
9	18089-G011-0400	AIR SUPPLY PUMP BRACKET	1

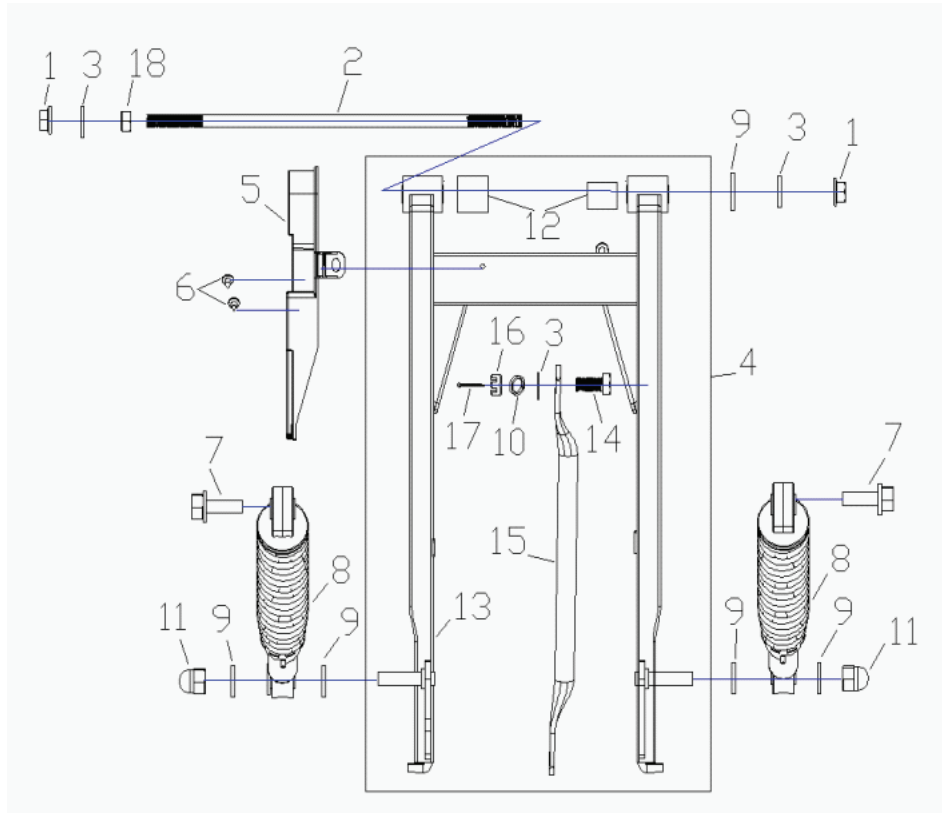
FRAME GROUP 4

FRAME



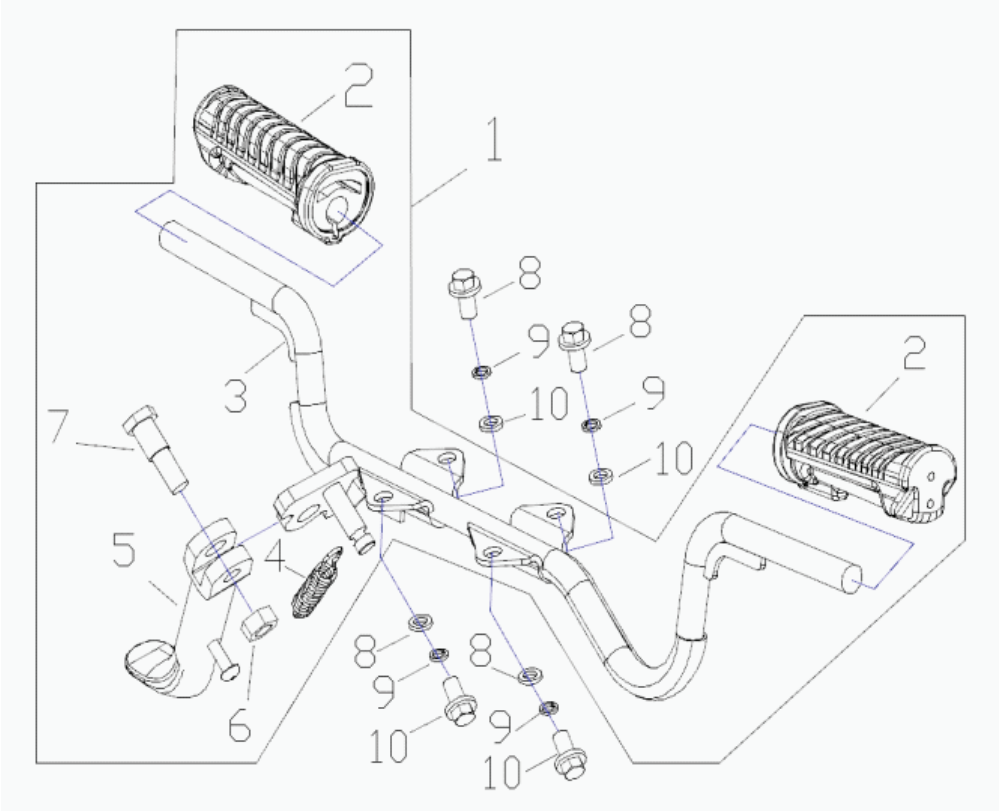
Ref. No.	Part No	Description	Qty
			F
1	31100-H418-060001	FRAME	1
2	63342-H206-0100	RUBBER PLUG VEHLCE	2
3	08216-0000-4000	TIE BELT	7
4	B0578900080100T1X	BOLT M8X100	2
5	B0578900080115T1X	BOLT M8X115	1
6	B061870108000061X	NUT M8	3
7	B0009601080000K1X	WASHER 8	2
8	31221-H206-0100	FRONT SUSPENSION RUBBER PLUG	2
9	31203-H418-020001	BRACKET FRONT COVER	1
10	B166740106005571X	BOLT M6X55	2
11	B061770106000061X	NUT M6	2
12	91218-1060-022T0U	CLIP M6X22.3X15	4
13	63437-H418-000001	BRACKET MAIN CABLE	1

REAR SWING ARM/REAR ABSORBER



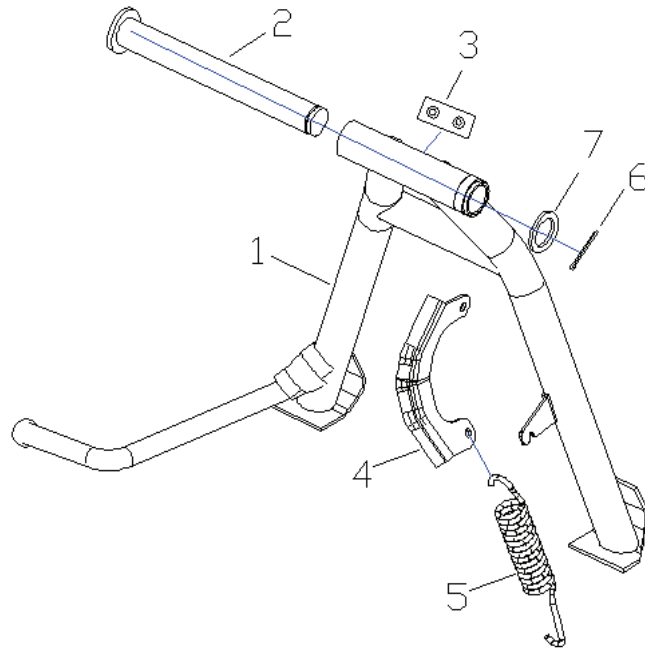
Ref. No.	Part No.	Description	Qty
			F
1	B061870210000061X	LOCK NUT M10X1.25	2
2	35281-H0E5-00001X	SHAFT SWING ARM	1
3	B0009701100000K1X	PLANE WASHER 10	2
4	35200-H418-010003	SWING ARM ASSY	1
5	35001-H206-0000	PROTECTING CLIP CHAIN	1
6	9A133-1042-013X1X	SELF TAPPING SCREW ST4.2X13	2
7	B057892010003771X	BOLT M10X1.25X37	2
8	33300-H670-C00072	REAR ABSORBER SHOCK	2
9	91301-0100-25021X	PLANE WASHER 10XDIA.25-2	5
10	B000930008000001X	SPRING WASHER 8	1
11	B009230010000061X	CAP NUT M10X1.25	2
12	3520B-H418-000000	SHAFT BUSH SUB ASSY	2
13	3520A-H418-010001	SWING ARM WELDING ASSY	1
14	35214-G124-000002	CONNECTING BOLT	1
15	35215-G124-00006N	POSITIONING PIPE REAR BRAKE	1
16	B061800008000061X	NUT M8	1
17	B000910002001601X	OPENING PIN 2X16	1
18	B061730010000061X	NUT M10X1.25	1

FRONT FOOTPEG



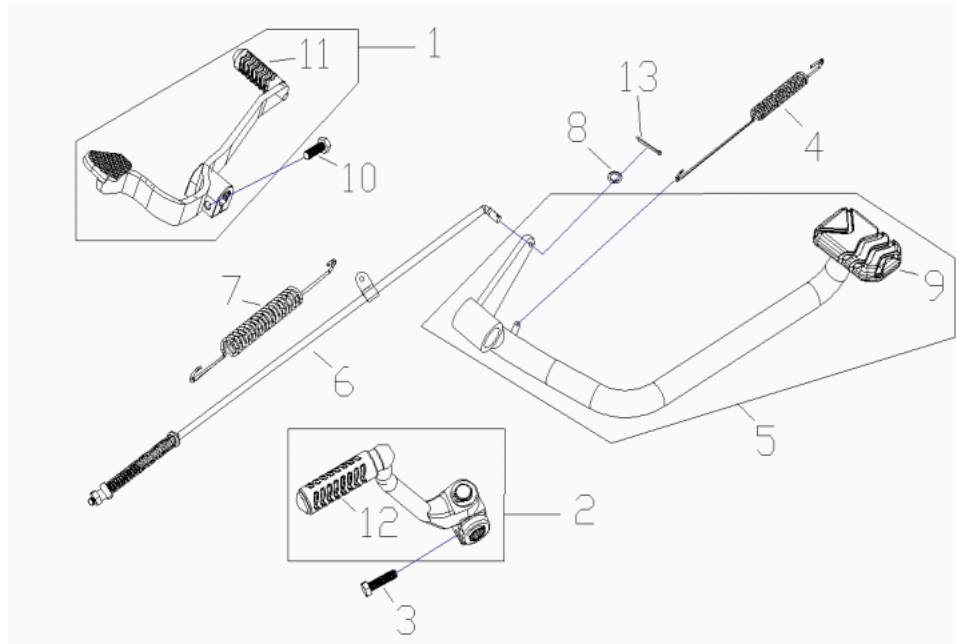
Ref. No.	Part No.	Description	Qty
1	32100-H261-000001	FRONT FOOTPEG ASSEMBLY	1
2	32101-H0E5-0100	RUBBER BUSH FRONT FOOTPEG	2
3	32147-H0E5-010001	WELDING COMPONENTS FRONT FOOTPEG	1
4	32102-H206-0000	SPRING SIDE BRACKET	1
5	32130-H259-010000	WELDING ASSY SIDE STAND	1
6	B061710010000061X	NUT M10X1.25	1
7	32131-H206-00000B	BOLT SIDE BRACKET	1
8	B057890008002071X	BOLT M8X20	4
9	B000930008000001X	SPRING WASHER 8	4
10	B0009701080000K1X	PLANE PAD	4

MAIN BRACKET



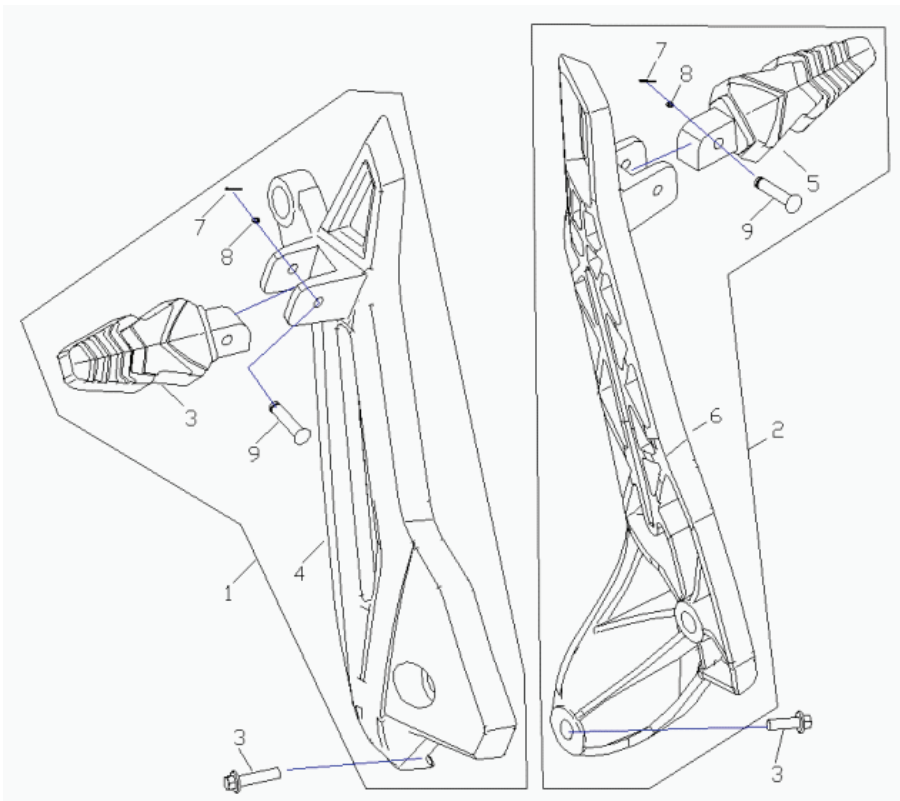
Ref. No.	Part No	Description	Qty
			F
1	32200-H0E5-00006N	MAIN BRACKET	1
2	32281-H206-00001X	SHAFT MAIN BRACKET	1
3	32204-H206-0100	DAMPING PAD MAIN BRACKET	1
4	32203-H206-000001	HOOK MAIN BRACKET	1
5	32202-H206-00000X	SPRING MAIN BRACKET	1
6	B008940117000000S	CLIP SHAFT	1
7	91301-0170-23021X	WASHER DIA.17X23X1.5	1

FOOT CONTROL PARTS



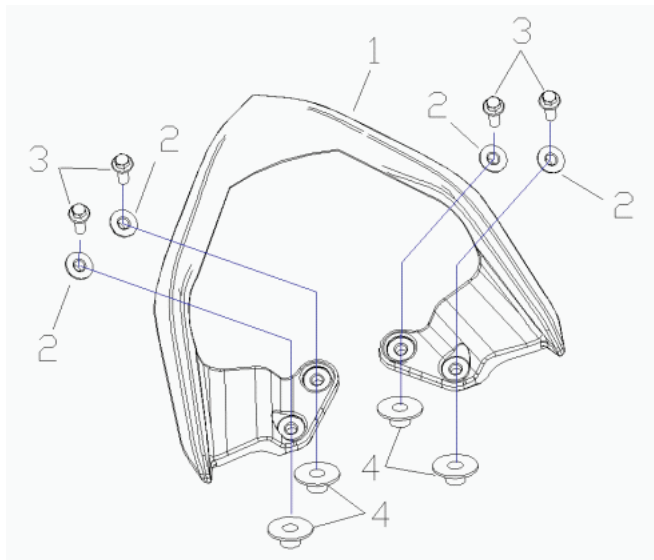
Ref. No.	Part No.	Description	Qty
			F
1	24400-G129-04006N	GEAR SHIFT FOOTPEG	1
2	21200-H0E5-000002	STARTING ARM	1
3	B057830006002571X	BOLT M6X25	1
4	84602-H206-000002	SWITCH SPRING REAR BRAKING LAMP	1
5	52100-H259-00006N	REAR BRAKING LEVER	1
6	52200-H259-010001	PULL ROD REAR BRAKE	1
7	52105-H0E5-000004	RETURNING REAR BRAKE	1
8	B0009701060000K1X	WASHER 6	1
9	52109-H259-0000	RUBBER BUSH REAR BRAKING LEVER	1
10	B057830006002071X	BOLT M6X20	1
11	24425-I126-C000	RUBBER BUSH GEAR FOOTPEG ROD	1
12	21208-H259-0000	RUBBER BUSH STARTING ARM	1
13	B000910002001601X	OPENING PIN 2X16	1

REAR PEDAL



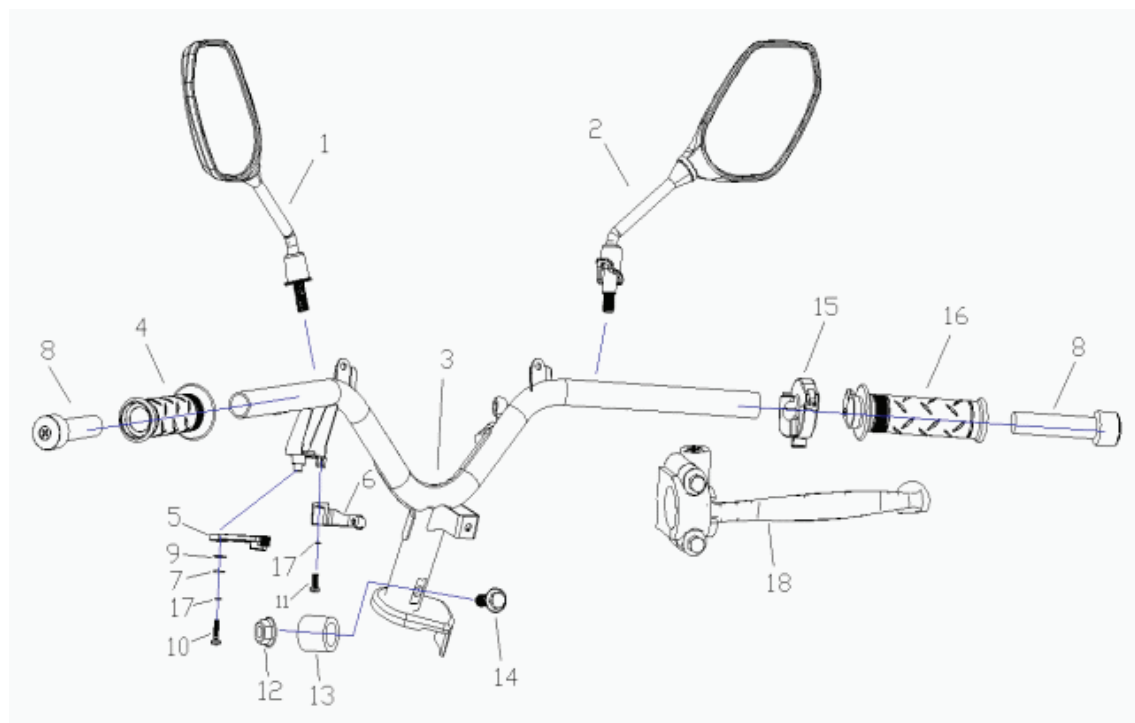
Ref. No.	Part No.	Description	Qty
			F
1	32410-H0E5-040002	LEFT REAR PEDAL ASSY	1
2	32420-H0E5-040002	RIGHT REAR PEDAL ASSY	1
3	B057890008002071X	BOLT M8X20	2
4	32415-H0E5-030001	BRACKET LEFT REAR PEDAL	1
5	32416-H0E5-000002	RUBBER BUSH REAR PEDAL	2
6	32425-H0E5-030001	BRACKET RIGHT REAR FOOTPEG	1
7	B000910002001601X	OPENING PIN 2X16	2
8	B0009701060000K1X	WASHER 6	2
9	32471-H870-C00001	PIN SHAFT	2

REAR ARMREST



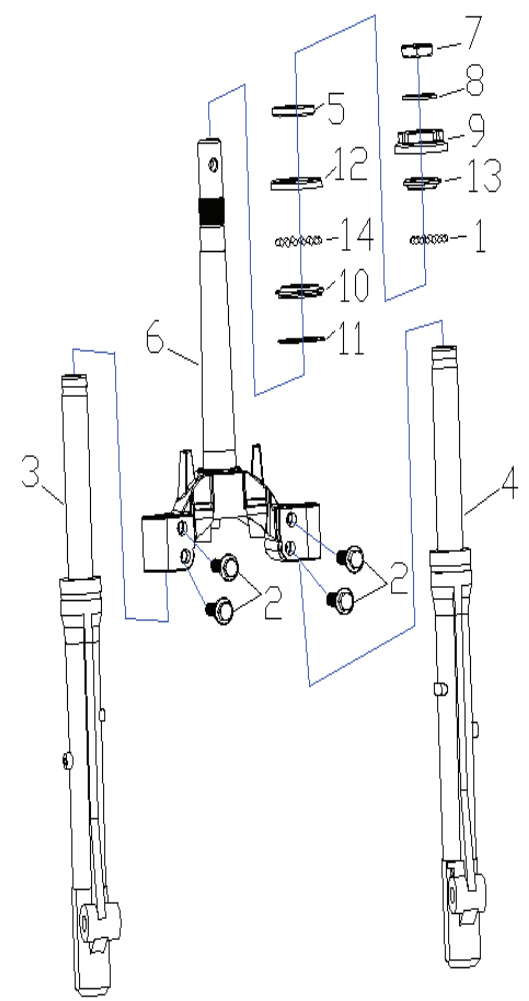
Ref. No.	Part No.	Description	Qty
			F
1	42200-H418-010001	GROUPWARE REAR ARMREST	1
2	B0009701080000K1X	PLANE PAD	4
3	B0578900080040T1X	BOLT M8X40	4
4	91302-0085-23121X	FLANGED WASHER 8.5X23X12	4

HANDLEBAR/REAR VIEW MIRROR



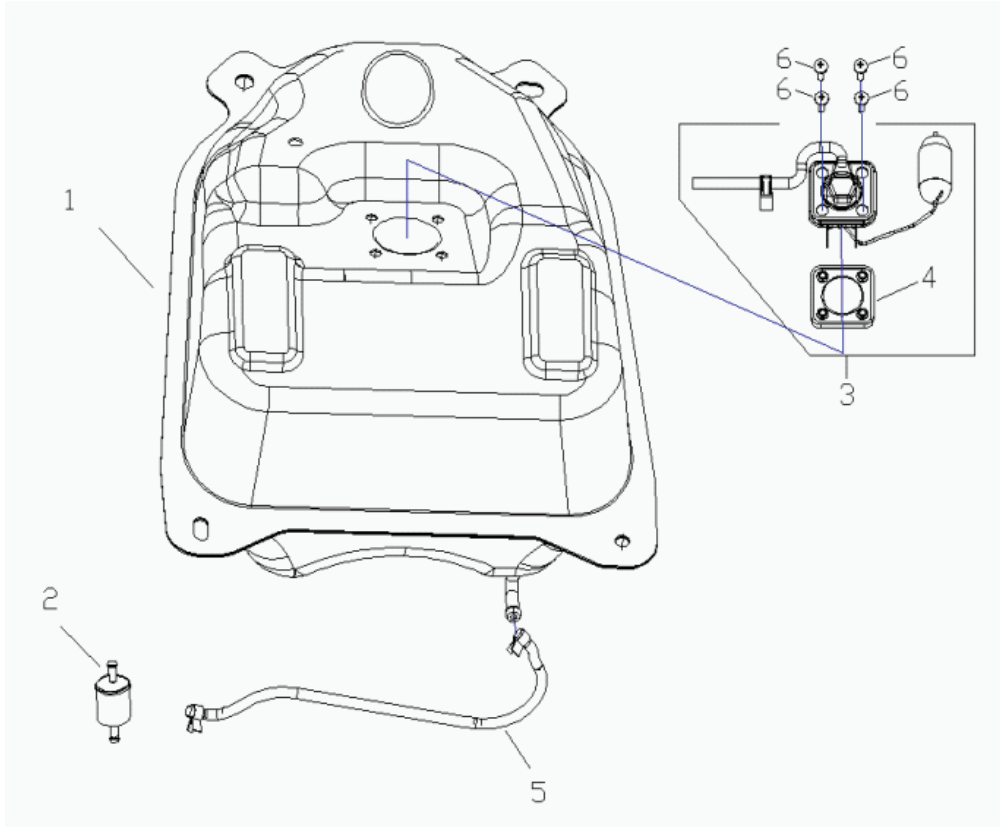
Ref. No.	Part No.	Description	Qty
			F
1	69110-H0P8-0000	LEFT REAR VIEW MIRROR	1
2	69120-H0P8-0000	RIGHT REAR VIEW MIRROR	1
3	72100-H0E5-00006N	TUBE, STEERING HANDLEBAR	1
4	72010-H206-0100	RUBBER BUSH, LEFT HANDLEBAR	1
5	72208-H259-0100	HANDLEBAR, CHOKE	1
6	72207-H206-0100	BRACKET, CHOKE	1
7	72215-H206-0100	SKIDPROOF GASKET, CHOKE	1
8	72032-H0E5-0000	DECORATION HEAD PART	2
9	B0009601050000K1X	PLANE PAD 5	1
10	B008180005001621X	SCREW M5X16	1
11	B008180005001221X	SCREW M5X12	1
12	B061870210000061L	NUT M10X1.25	1
13	72118-0000-00001X	LOCKING BUSH, STEERING HANDLEBAR TUBE	1
14	B057892010005071X	BOLT M10X1.25X50	1
15	17010-H206-0100	FIXING SEAT, OILER	1
16	72020-H206-0100	RUBBER BUSH ASSEMBLY RIGHT HANDLEBAR	1
17	B000930005000001X	SPRING WASHER 5	1
18	72309-H259-0000	HANDLE FRONT BRAKE	1

STREERING STEM/FRONT ABSORBER



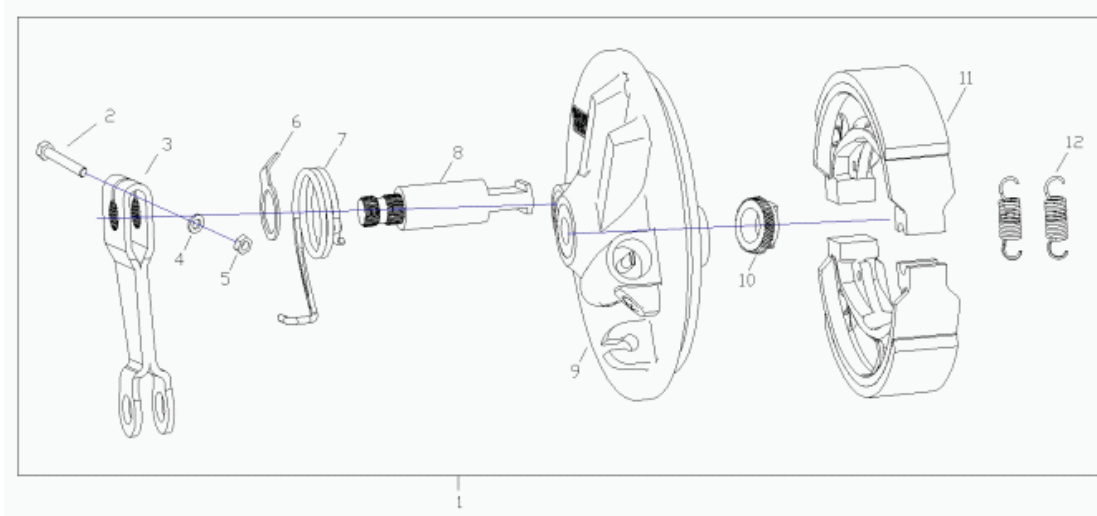
Ref. No.	Part No.	Description	Qty
			F
1	71208-H418-0000	UPPER RETAINING BRACKET	1
2	B057892010004571X	BOLT 10X1.25X45	4
3	34100-H670-030069	LEFT FRONT ABSORBER	1
4	34200-H670-030069	RIGHT FRONT ABSORBER	1
5	71202-G124-0000	LOWER CHECK BEARING 34	1
6	7110A-H259-010065	STEERING POST ASSY	1
7	71106-H206-00001X	LOCK NUT STEERING POST	1
8	71135-H206-00001X	CLIP RING STEERING ROD	1
9	71105-H206-00001X	ADJUSTING NUT STEERING POST	1
10	71204-G124-0000	LOWER SEAT BEARING 54	1
11	71123-H206-00001X	PLANE WASHER	1
12	71201-G124-0000	UPPER CHECK RING BEARING 26	1
13	71203-G124-0000	UPPER SEAT RING BEARING 45	1
14	71209-H418-0000	LOWER RETURNING BRACKET	1

FUEL TANK



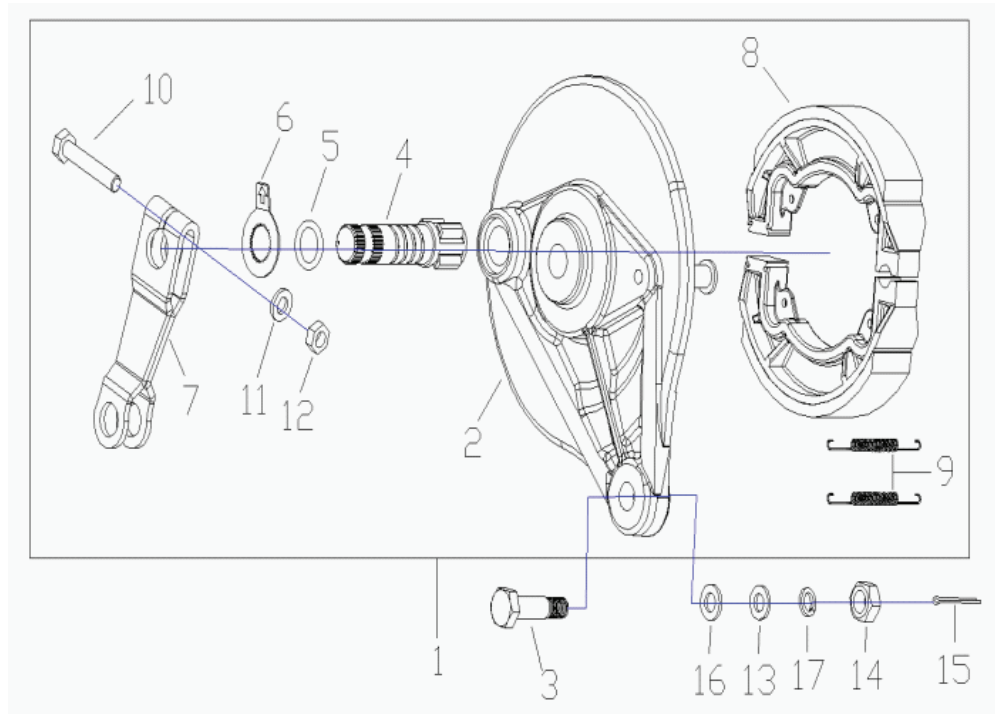
Ref. No.	Part No.	Description	Qty
			F
1	61100-H670-020001	FUEL TANK	1
2	61180-0000-0500	FUEL FILTER	1
3	87200-H670-0000	FUEL SENSOR	1
4	87201-H418-000002	SEAL RING SENSOR	1
5	613140650ZGT0000X	COMPOUND FUEL PIPE DIA.4X8X650	1
6	9A113-1050-01471X	SCREW M5X14	4

FRONT BRAKE



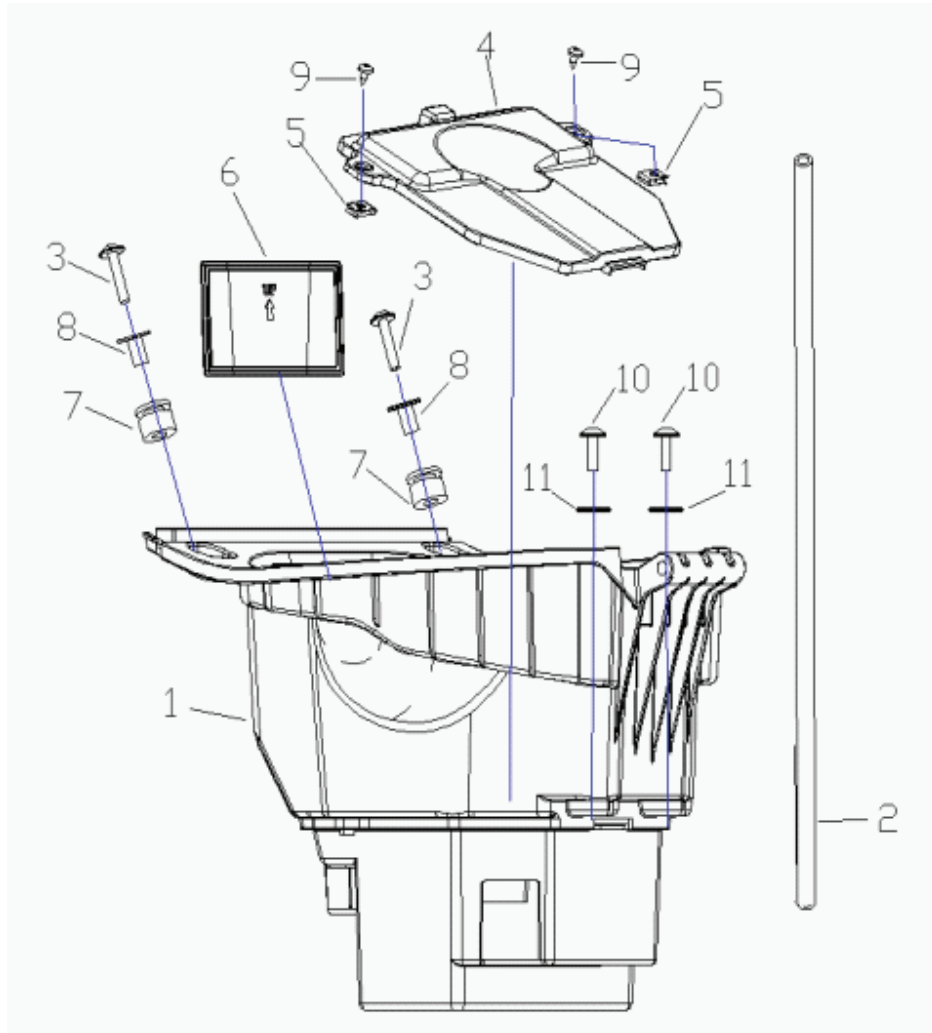
Ref. No.	Part No.	Description	Qty
			F
1	54100-H206-050093	FRONT BRAKE	1
2	54100-H206-050093	BOLT M6X25	1
3	54115-H206-000001	PULL ARM FRONT BRAKE	1
4	B0009701060000K1X	WASHER 6	1
5	B061770106000061X	NUT 6	1
6	54121-H206-000001	INDICATING BOARD FRONT BRAKE	1
7	54107-H206-000001	RETURNING SPRING FRONT BRAKE	1
8	54112-H206-000001	CAM FRONT BRAKE	1
9	54140-H206-000090	COVER FRONT BRAKE	1
10	54168-H206-0000	HELICAL GEAR COMBINATION	1
11	54150-H206-0000	PAD FRONT BRAKE ASSY	1
12	54104-H206-0000	PULLSPRING PAD FRONT BRAKE	2

REAR BRAKE



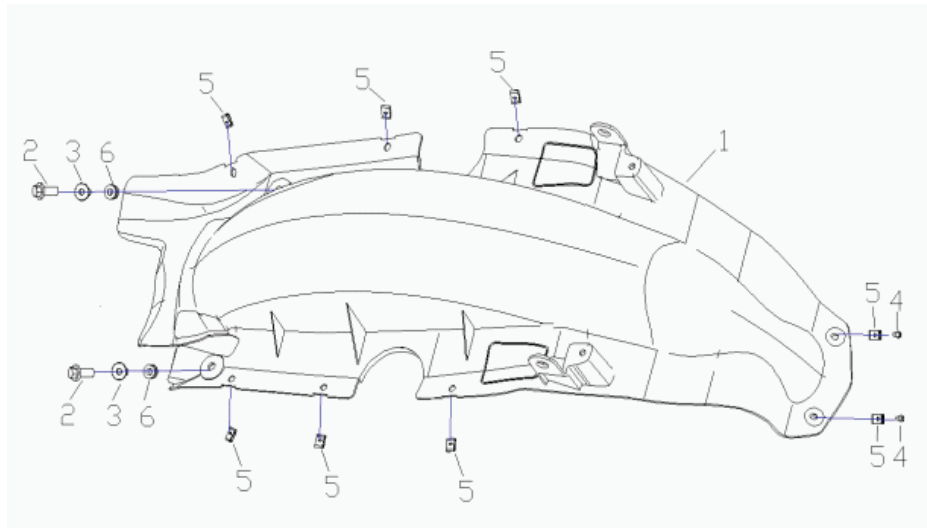
Ref. No.	Part No.	Description	Qty
			F
1	54200-H206-050094	REAR BRAKE	1
2	54205-H206-000001	CAP REAR BRAKE	1
3	91113-1080-13371X	STEP BOLT	1
4	54209-H206-00001X	CAM REAR BRAKE	1
5	54141-H206-0000	FELT FRONT BRAKE	1
6	54208-H206-00001X	INDICATING REAR BRAKE	1
7	54207-H206-00001X	PULLING ARM REAR BRAKE	1
8	54220-H206-0200	PAD REAR BRAKE ASSY	2
9	54201-H206-0000	PAD SPRING REAR BRAKE	2
10	B057820006003571X	BOLT M6X35	1
11	B0009701060000K1X	WASHER 6	1
12	B061770106000061X	NUT M6	1
13	91301-0080-20021X	WASHER 8	1
14	91301-0080-20021X	NUT M8	1
15	B000910002001601X	OPENING PIN 2X16	1
16	9131B-0000-0300	RUBBER PLANE PAD	1
17	B000930008000001X	SPRING WASHER 8	1

MIDDLE GOODS CASE



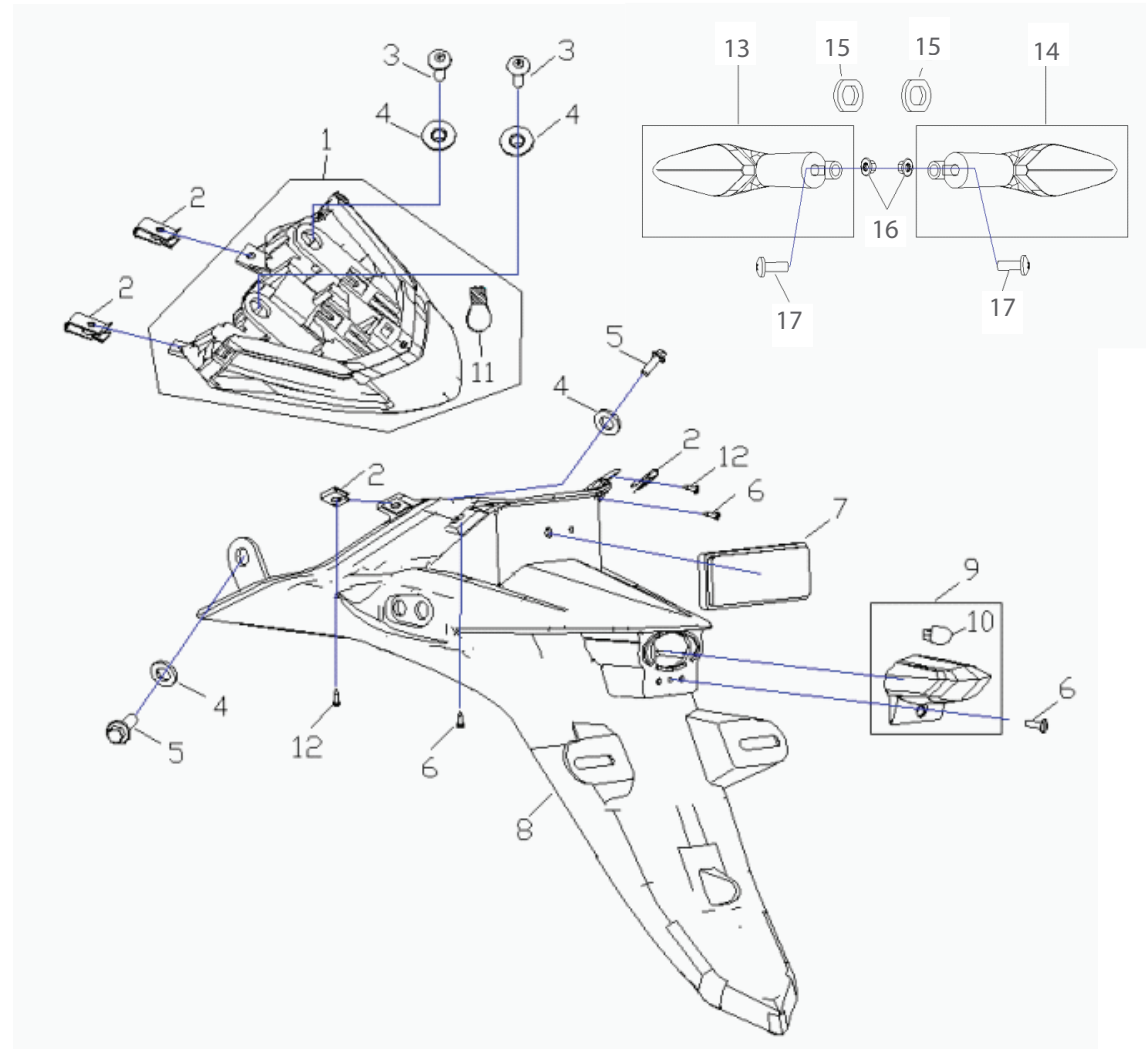
Ref. No.	Part No.	Description	Qty
			F
1	42600-H670-0000	MIDDLE GOODS CASE	1
2	41158-H418-0000	WATER LEAKAGE PIPE SUNDRIES BOX	1
3	B166740106003071X	BOLT M6X30	2
4	42603-H0E5-000001	CAP MIDDLE GOOD CASE	1
5	91205-1042-017T1X	CLIP ST4.2X17X11	2
6	62308-H670-0000	CAP FRAME NUMBER	1
7	42424-H670-0000	LOWER RUBBER PAD, SUNDRIES BOX	2
8	91302-0065-20181X	FLANGED WASHER DIA.6.5XDIA.20X18	2
9	9A133-1042-013X1X	SCREW ST4.2X13	2
10	B057890006001671X	BOLT M6X16	2
11	B0009601060000K1X	WASHER 6	2

FRONT PART, REAR FENDER



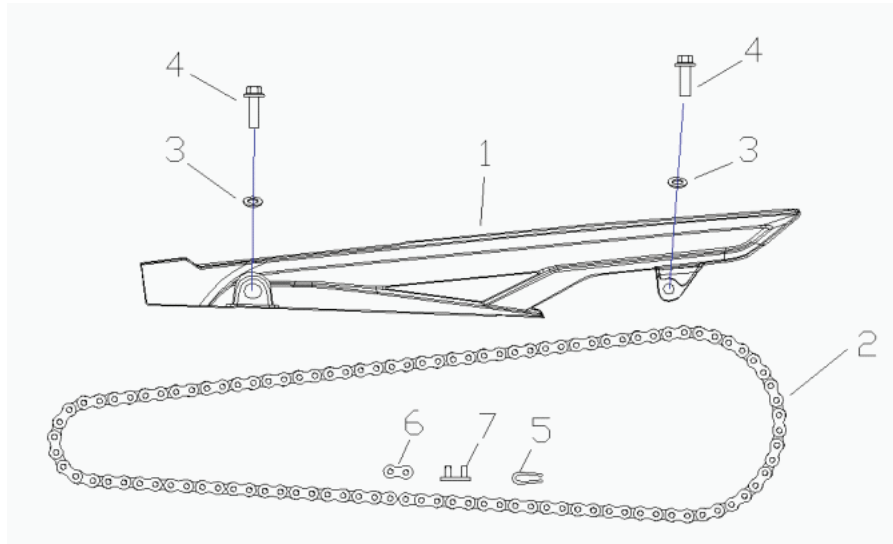
Ref. No.	Part No.	Description	Qty
			F
1	63201-H418-0000	FRONT PART, REAR FENDER	1
2	B166740106001671X	BOLT M6X16	2
3	91302-0060-18071X	FLANGED WASHER DIA.6X18-7	2
4	9A133-1042-013X1X	SCREW ST4.2X13	2
5	91205-1042-017T1X	CLIP ST4.2-17X11	8
6	6222B-0000-1200	RUBBER PAD DIA.8.5X12X17-2.5+3+2.5	2

REAR PART,REAR FENDER, TURNING LAMP REAR



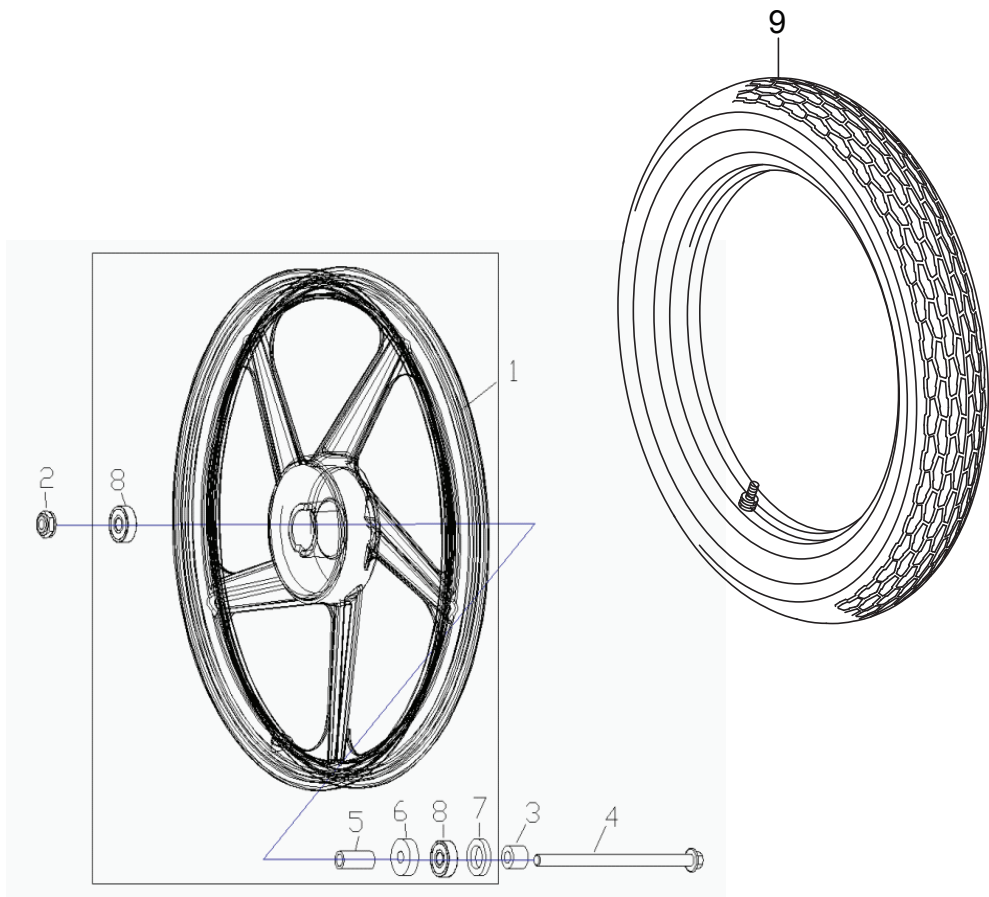
Ref. No.	Part No.	Description	Qty
			F
1	86200-H418-C10001	REAR LAMP ASSY	1
2	91205-1042-017T1X	CLIP ST4.2X17	4
3	9A113-1060-01671X	SCREW M6X16	2
4	B0009601060000K1X	WASHER 6	4
5	B057890006001271X	BOLT M6X12	2
6	9A133-1042-013X1X	SCREW ST4.2X13	3
7	85830-M154-000001	REFLECTOR REAR	1
8	63202-H418-0000	REAR PART REAR FENDER	1
9	86700-J0A2-000001	REAR LICENSE PLATE LAMP	1
10	86720-0000-0200	BULB LICENSE PLATE	1
11	86260-0000-C270	BULB REAR LAMP	1
12	9A133-1042-016X1X	SCREW ST4.2X16	2
13	86500-H0E5-010001	LEFT TURNING LAMP REAR	1
14	86600-H0E5-010001	RIGHT TURNING LAMP REAR	1
15	86800-B1P6-000001	TO LOCATE BLOCK	2
16	B061770106000061X	NUT M6	2
17	B166740106001671X	BOLT M6X16	2

CHAIN CASE / CHAIN



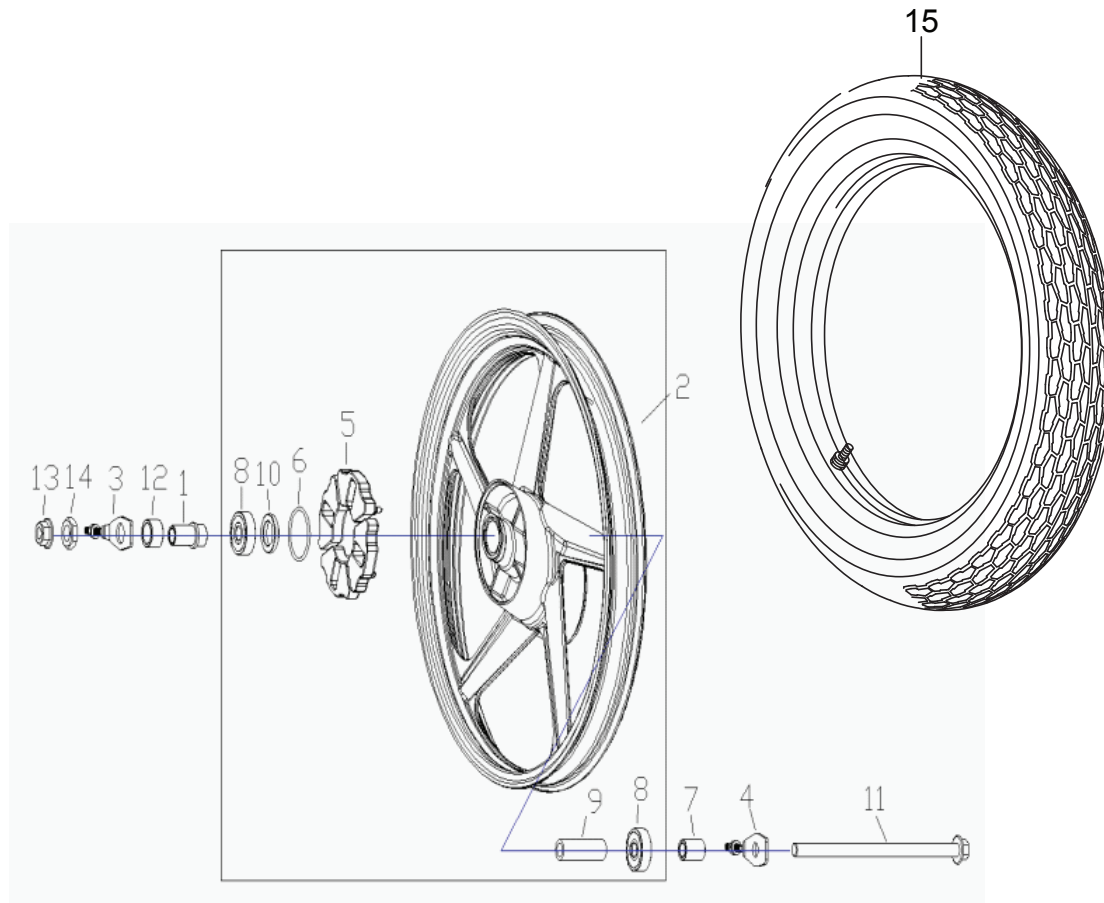
Ref. No.	Part No.	Description	Qty
			F
1	35110-H670-0000	UPPER CHAIN CASE	1
2	26400-4280-0100	CHAIN 428X100	1
3	B0009601060000K1X	WASHER 6	2
4	B057890006001271X	BOLT M6X12	2
5	26412-0000-000000	CHAIN CLIP	1
6	26413-0000-000000	CHAIN PRESSURE BOARD	1
7	26411-0000-000000	CONNECTING END CHAIN (S)	1

FRONT ALUMINIUM WHEEL / FRONT-TYRE



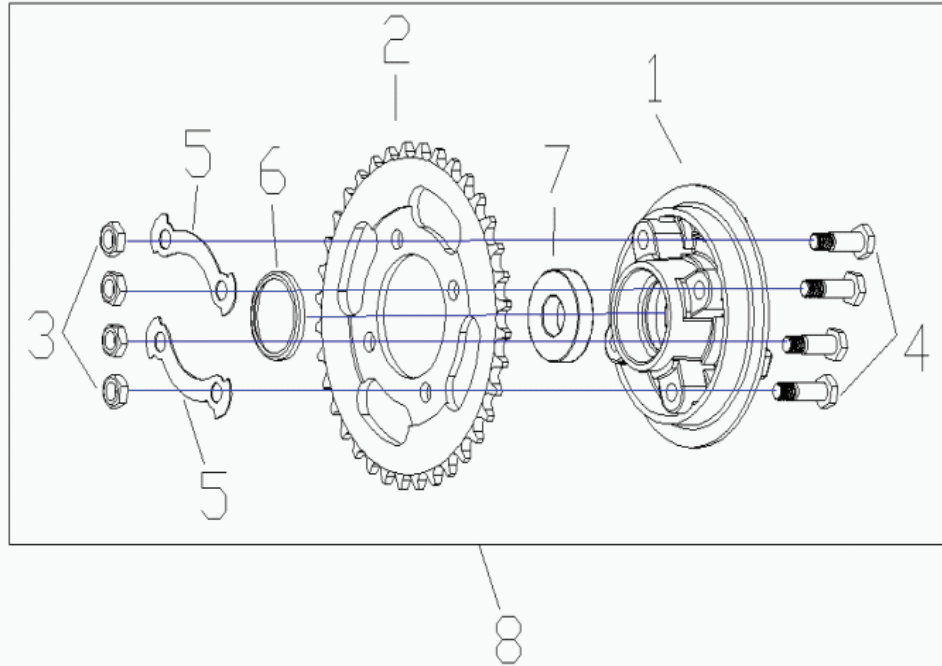
Ref. No.	Part No.	Description	Qty
1	51120-H136-C00066	FRONT ALUMINIUM WHEEL 1.4X17	1
2	B061870210000061X	LOCK NUT M10X1.25	1
3	51102-H259-02001X	RIGHT BUSH FRONT WHEEL	1
4	51181-H206-01001X	AXLE FRONT WHEEL	1
5	51117-0000-80000B	INNER BUSH HUB DIA.18X12X42.2	1
6	51108-0000-0400	FRONT WHEEL SUPPORTING RING	1
7	51116-0000-3400	OIL SEAL HUB 23X37X7/11	1
8	92102-0006300-2RS	BEARING 6300-2RS	2
9	41009-503-0032	TYRE-ASSY-FRONT	1

REAR ALUMINIUM WHEEL / REAR-TYRE



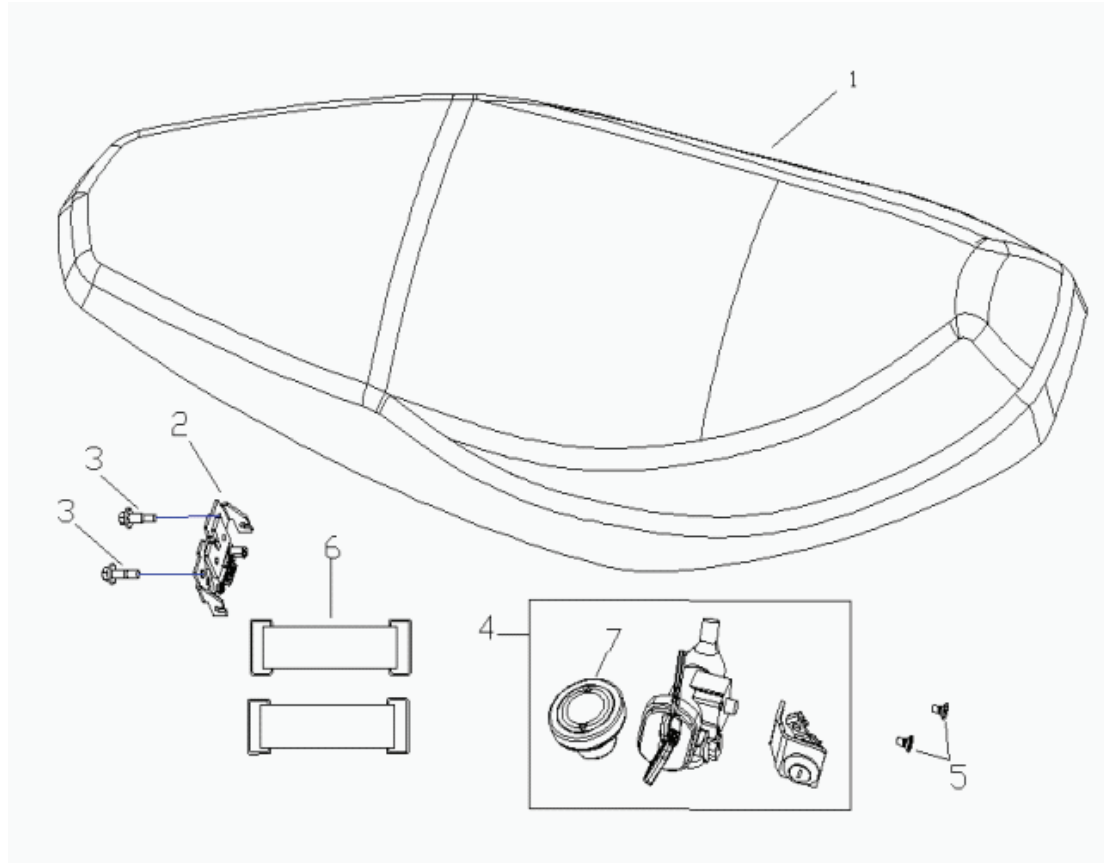
Ref. No.	Part No.	Description	Qty
			F
1	55008-H206-00001X	SPROCKET BUSH	1
2	51220-H136-060066	REAR ALUMINIUM WHEEL 1.6X17	1
3	35011-H206-000001	LEFT ADJUSTER CHAIN	1
4	35012-H206-000001	RIGHT ADJUSTER CHAIN	1
5	51218-0000-0100	REAR WHEEL DAMPING BLOCK	4
6	90101-10400000250	O-RING 40.4X2.5X3	1
7	51202-H206-00001X	REAR WHEEL BUSH RIGHT	1
8	92102-0006301-2RS	BEARING 6301-2RS	2
9	51117-0000-49000C	INNER BUSH DIA.20X12X55.5 HUB	1
10	51108-0000-0200	FRONT WHEEL SUPPORTING RING	1
11	51281-H206-00001X	REAR WHEEL AXLE	1
12	51201-H259-01001X	REAR WHEEL BUSH LEF	1
13	B061870212000061X	LOCK NUT M12X1.25	1
14	55009-H206-00001X	ADJUSTING NUT INNER BUSH BUMPER	1
15	41009-503-0033	TYRE -ASSY-REAR	1

BUFFER ASSEMBLY



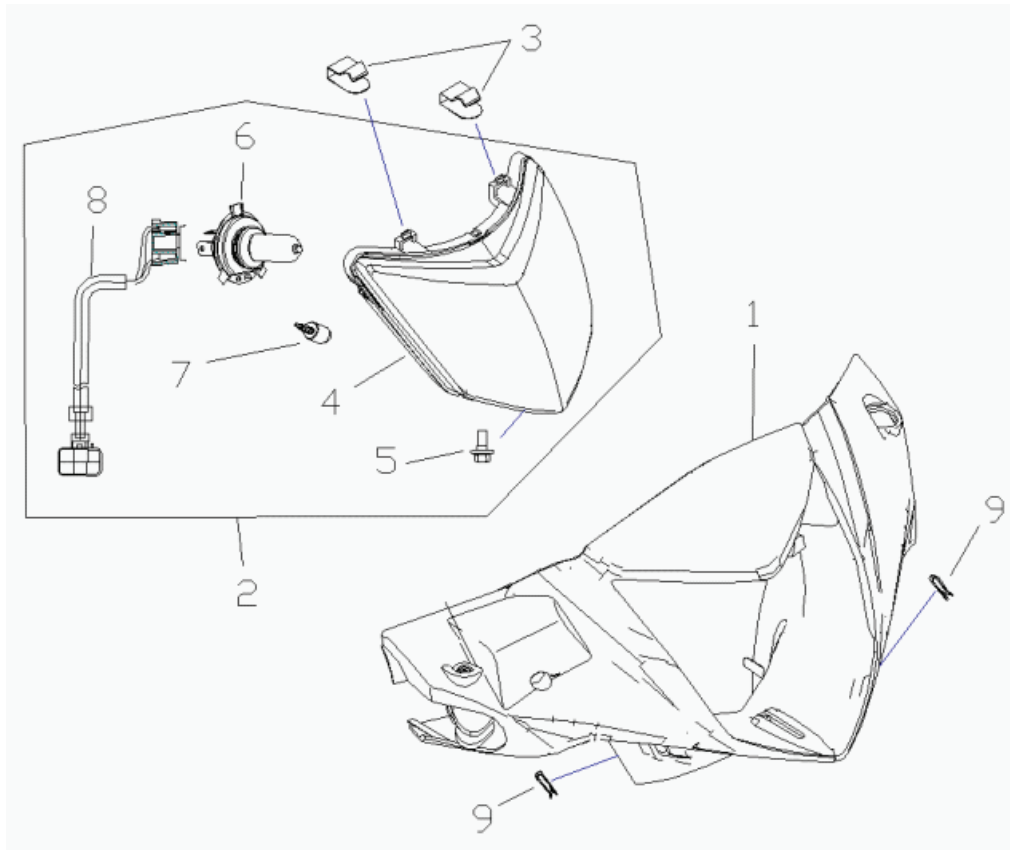
Ref. No.	Part No.	Description	Qty
			F
1	55001-H206-C00066	BUFFER SINGLE	1
2	55002-H206-000001	SPROCKET WHEEL 36T	1
3	B061700008000061C	NUT M8	4
4	B057820008003671C	BOLT M8X36	4
5	55007-H206-000001	LOCK PLATE	2
6	55005-0000-1500	OIL SEAL 26X40X6.5/11 BUFFER	1
7	92102-0006203-2RS	BEARING 6203-2RS	1
8	55000-H199-C20001	BUFFER ASSY 36T	1

SEAT



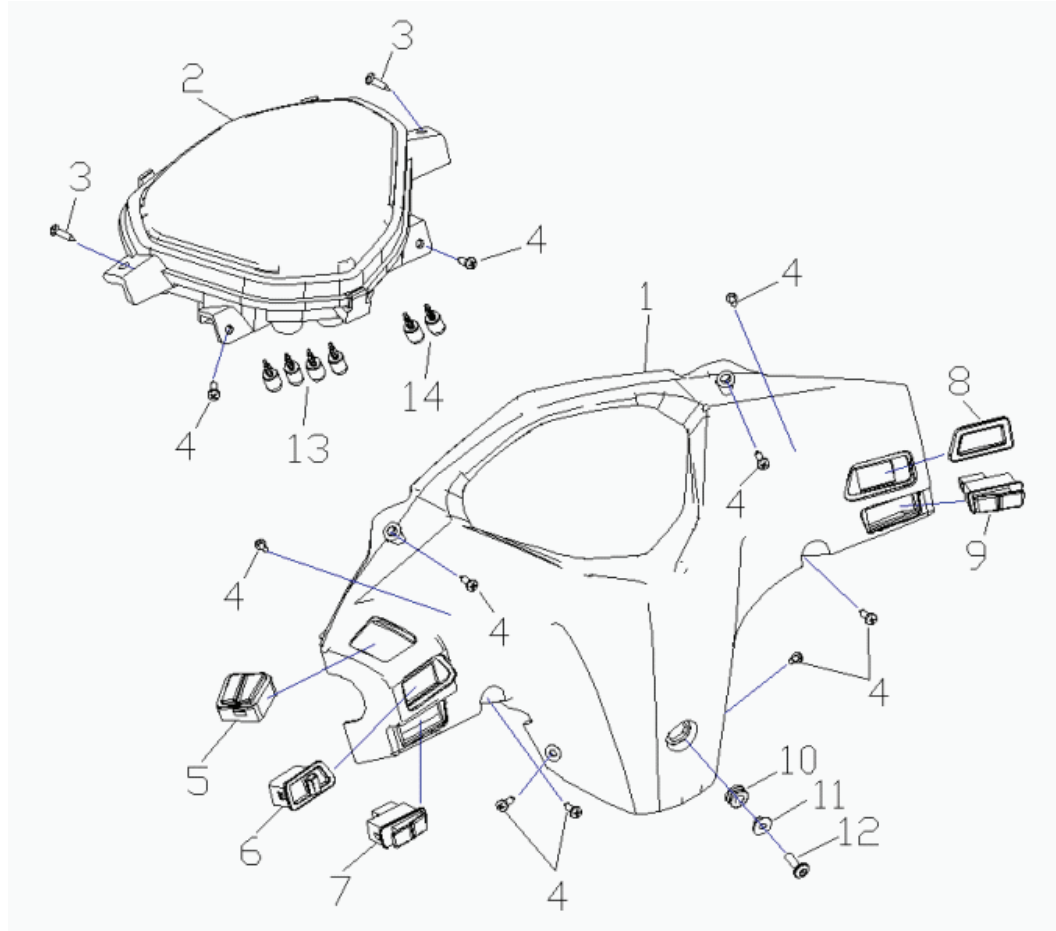
Ref. No.	Part No.	Description	Qty
			F
1	41100-H418-040004	SEATS FOR DOUBLE MEN	1
2	41490-H418-000001	LOCK SEAT	1
3	B057830005001270B	BOLT M5X12	2
4	07002-H418-C20002	VEHICLE LOCK	1
5	B008190106001021X	SCREW M6X10	3
6	31250-I357-0000	HOOP TOOL BOX	2
7	61140-G129-00000C	CAP FUEL TANK	1

HEADLIGHT / FRONT COVER HANDLE



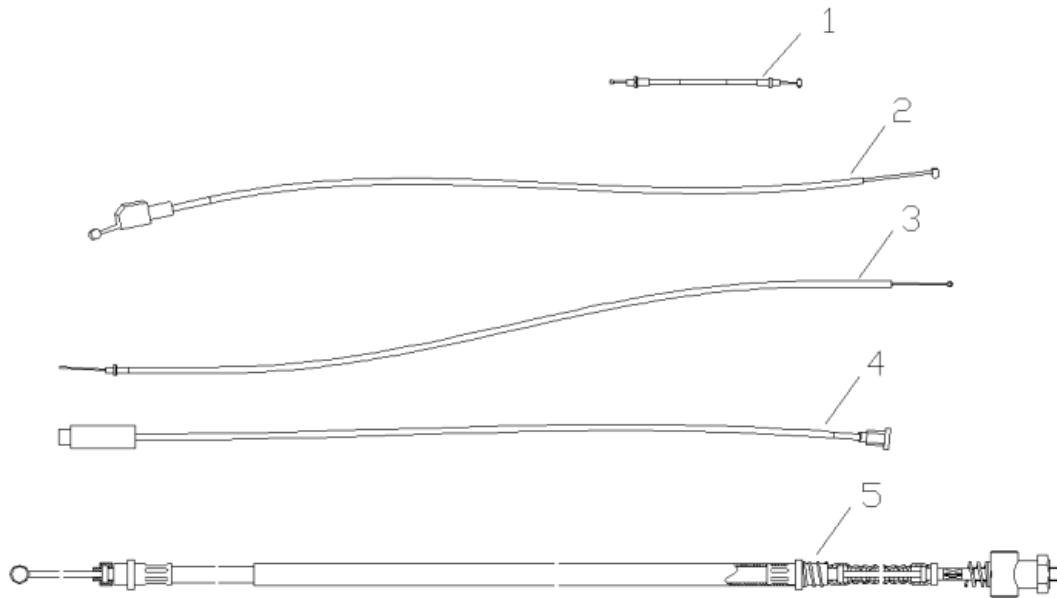
Ref. No.	Part No.	Description	Qty
			F
1	63501-H418-020007	SHELL, HEADLIGHT (BLACK)	1
	63501-H418-020006	SHELL, HEADLIGHT (BLUE)	1
	63501-H418-020005	SHELL, HEADLIGHT (YELLOW)	1
2	86100-H670-C200	HEADLIGHT	1
3	93319-0030-024U1X	CLIP 12X24 (R3)	2
4	8610Z-H670-000001	HEADLIGHT SHADE & REFLECTOR	1
5	B166741104001270C	BOLT M4X12	1
6	86160-0000-C490	BULB FRONT LAMP (12V35/35W)	1
7	86112-0000-0000	BULB POSITION LAMP	1
8	86111-H670-0000	WIRE FRONT LAMP	1
9	91205-1042-017T1X	SELF TAPPING CLIP ST4.2X17	2

METER / REAR COVER HANDLE



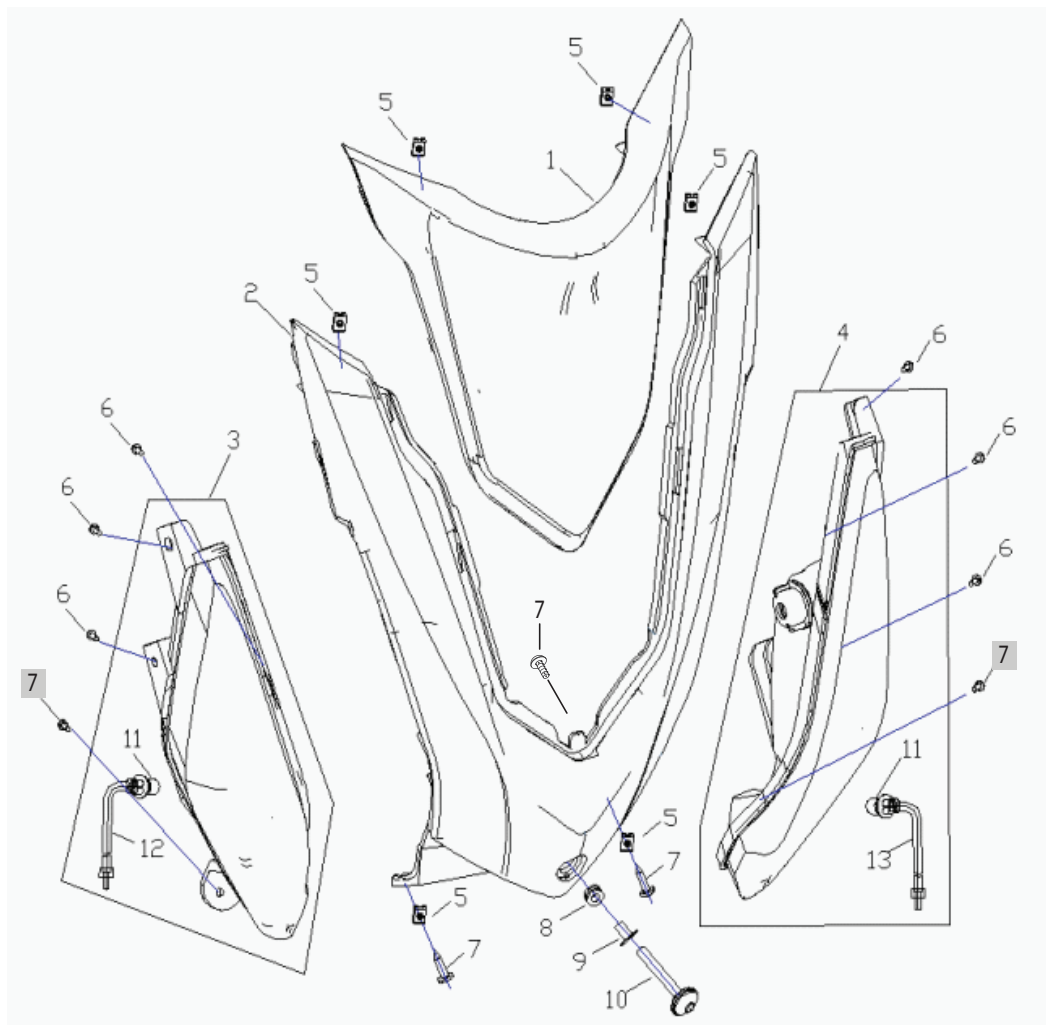
Ref. No.	Part No.	Description	Qty
			F
1	63505-H418-020001	SHELL, INSTRUMENT	1
2	87100-H418-C10005	METER ASSY	1
3	9A133-1042-016X1X	SELF TAPPING SCREW ST4.2X16	2
4	9A133-1042-013X1X	SELF TAPPING SCREW DIA.9/ST4.2X13	10
5	72210-H206-020001	LIGHT SHIFT SWITCH	1
6	72220-H206-020001	SWITCH TURNING LAMP	1
7	72230-H206-030001	SWITCH HORN	1
8	72240-H418-000001	SWITCH ILLUMINATOR	1
9	72270-H206-030001	ELECTRIC STARTING SWITCH	1
10	6222B-0000-1200	H SHAPE RUBBER WASHER 8.5X12X17-2.5+3+2.5	1
11	91302-0060-18071X	FLANGED WASHER 6X18-7	1
12	9A131-1050-01671X	SCREW 11/M5X16	1
13	87123-0000-0300	BULB METER 12V/1.7W	4
14	87123-0000-0400	BULB METER 12V3W	2

CONTROL CABLE



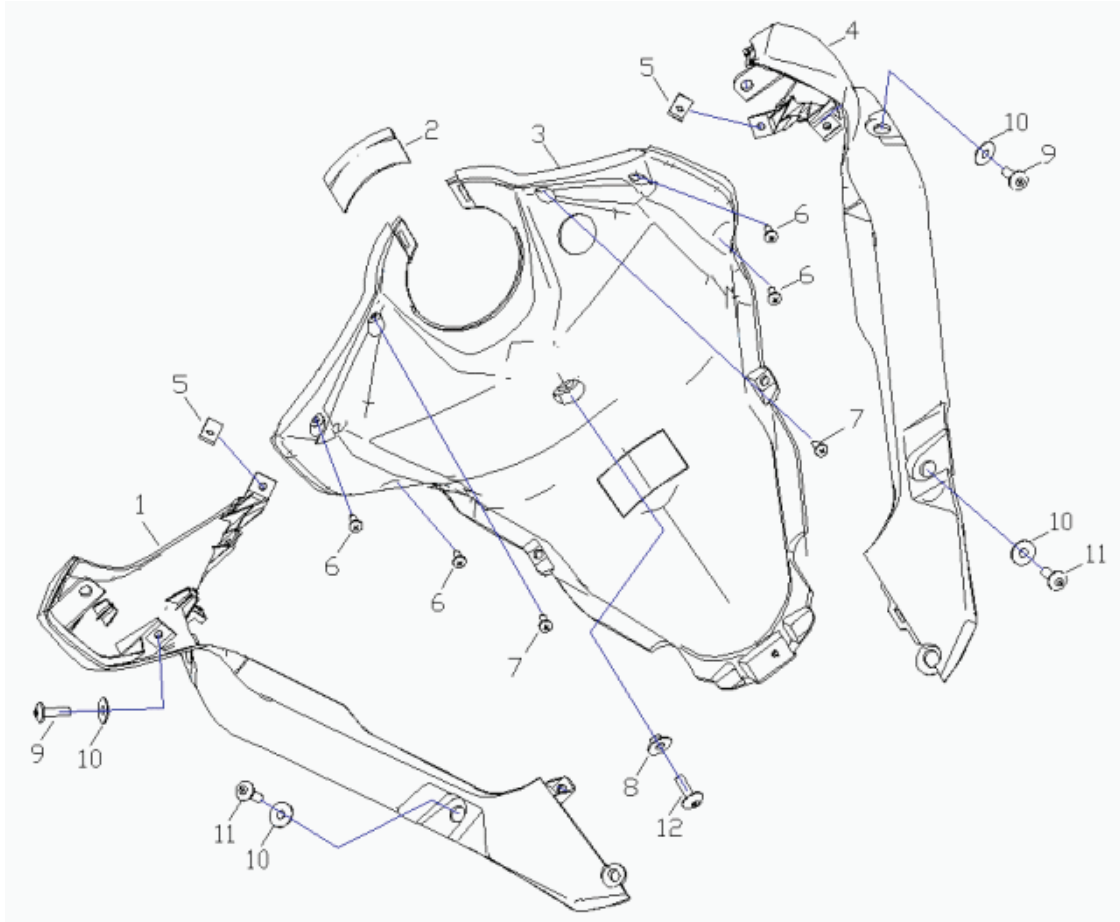
Ref. No.	Part No.	Description	Qty
			F
1	72900AZZ03501401C	CABLE SEAT LOCK	1
2	72700CZZ06206101C	CABLE CHOKE	1
3	72400DWZ09706451C	CABLE THROTTLE	1
4	87300AZZ02009601CQ	CABLE ODOMETER	1
5	72500AZZ07210801C	CABLE FRONT BRAKE	1

FRONT WIND COVER/FRONT TURNING LIGHT



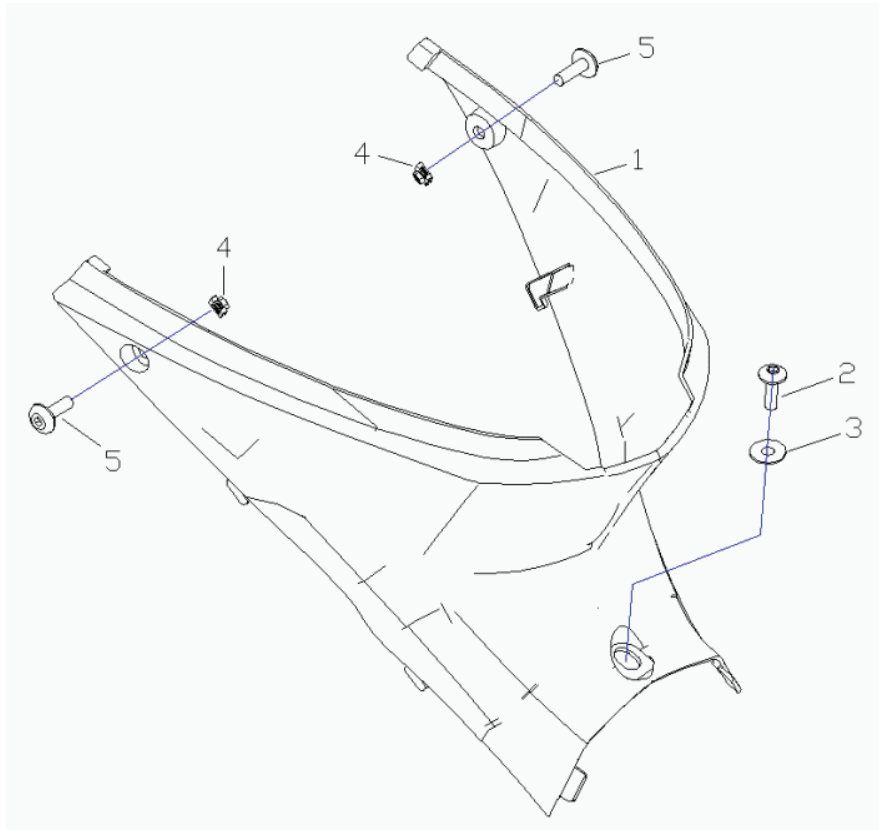
Ref. No.	Part No.	Description	Qty
			F
1	62307-H418-020205	DECO PARTS FRONT WIND COVER (BLACK)	1
	62307-H418-0200KR	DECO PARTS FRONT WIND COVER (BLUE)	1
	62307-H418-020204	DECO PARTS FRONT WIND COVER (YELLOW)	1
2	62301-H418-000386	FRONT WIND COVER (BLACK)	1
	62301-H418-000385	FRONT WIND COVER (BLUE)	1
	62301-H418-000384	FRONT WIND COVER (YELLOW)	1
3	86400-H418-0000	RIGHT TURNING LAMP FRONT	1
4	86300-H418-0000	LEFT TURNING LAMP FRONT	1
5	91205-1042-017T1X	SELF TAPPING CLIP ST4.2X17	6
6	9A133-1042-010X0X	SCREW ST4.2X10	6
7	9A133-1042-013X1X	SCREW DIA.9/ST4.2X13	5
8	6222B-0000-1200	RUBBER WASHER	1
9	91302-0060-18071X	FLANGED WASHER DIA.6X18-7	1
10	9A113-1060-01671X	SCREW M6X16	1
11	86340-0000-0300	BULB TURNING LAMP 12V10W	2
12	86450-H418-000001	CABLE ASSY FRONT RIGHT TURNING LAMP	1
13	86350-H418-000001	CABLE ASSY FRONT LEFT TURNING LAMP	1

PROTECTING BOARD, CENTRAL FRONT



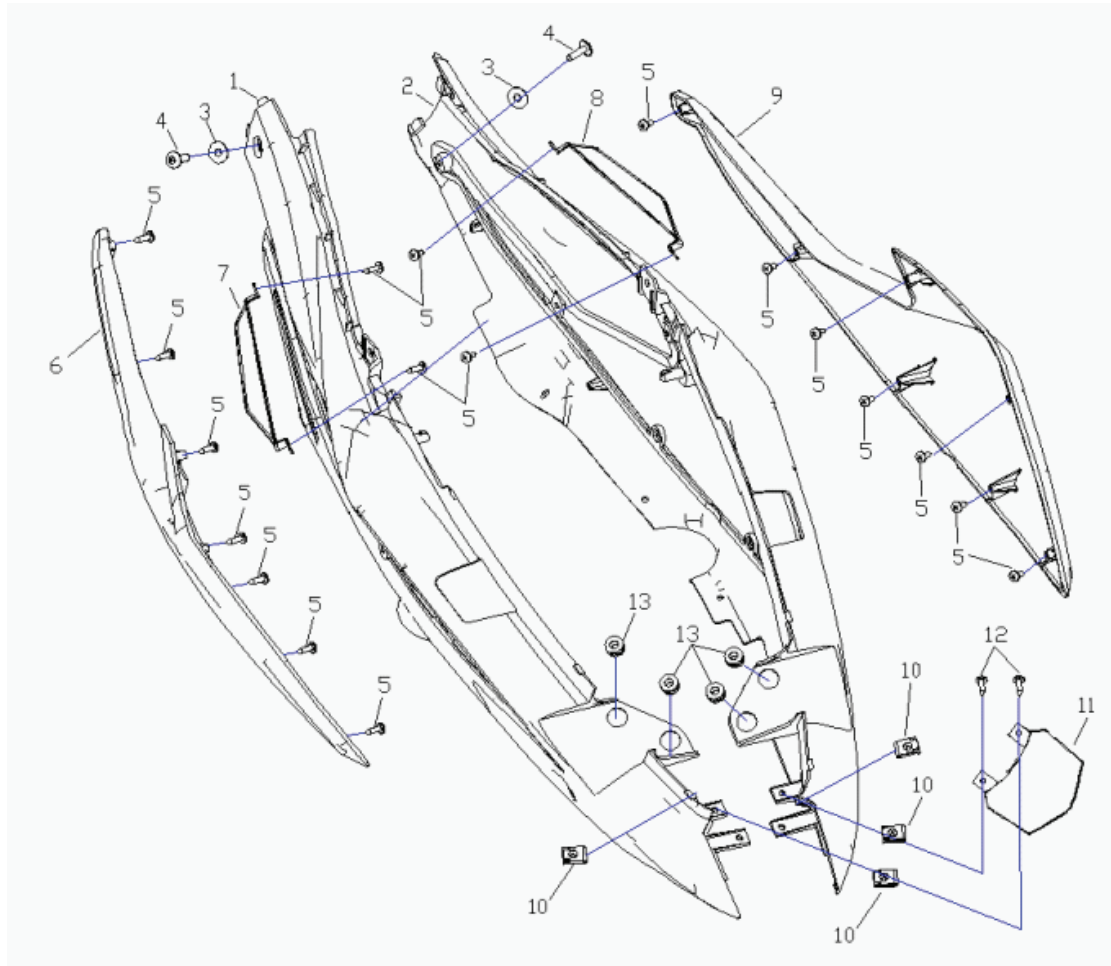
Ref. No.	Part No.	Description	Qty
			F
1	62402-H418-000513	EXTERNAL BOARD LH WIND BOARD (BLACK)	1
	62402-H418-000512	EXTERNAL BOARD LH WIND BOARD (BLUE)	1
	62402-H418-000511	EXTERNAL BOARD LH WIND BOARD (YELLOW)	1
2	62203-H418-0000	DEC. BLOCK CENTRALPROTECTING BOARD	1
3	62209-H418-0000	PROTECTING BOARD CENTRAL FRONT	1
4	62403-H418-000513	EXTERNAL BOARD RH WIND BOARD (BACK)	1
	62403-H418-000512	EXTERNAL BOARD RH WIND BOARD (BLUE)	1
	62403-H418-000511	EXTERNAL BOARD RH WIND BOARD (YELLOW)	1
5	91205-1042-017T1X	CLIP SELF TAPPING ST4.2X17	2
6	9A133-1042-013X1X	SCREW DIA.9/ST4.2X13	4
7	9A133-1042-016X1X	SCREW ST4.2X16	2
8	91302-0060-18071X	FLANGED WASHER DIA.6X18-7	1
9	9A113-1060-02571X	SCREW M6X25	2
10	B0009601060000K1X	WASHER 6	4
11	9A113-1060-02071X	SCREW M6X20	3
12	9A113-1060-01671X	SCREW M6X16	1

PROTECTING BOARD, CENTRAL REAR



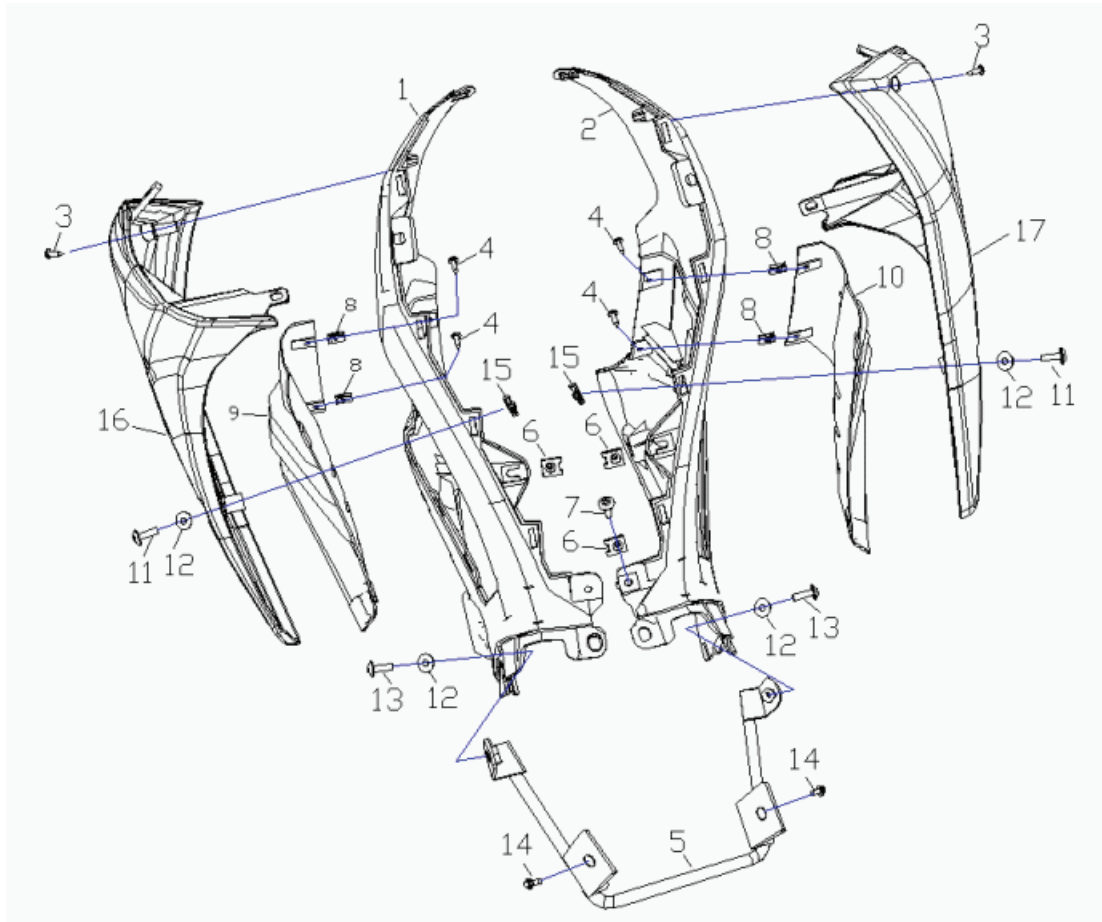
Ref. No.	Part No.	Description	Qty
			F
1	62218-H418-00087	PROTECTING BOARD CENTRAL REAR	1
2	9A113-1060-01671X	SCREW M6X16	1
3	B0009601060000K1X	WASHER 6	1
4	91206-1060-02001X	CLIP M6X20	2
5	9A113-1060-01671X	SCREW M6X16	2

VEHICLE CAP



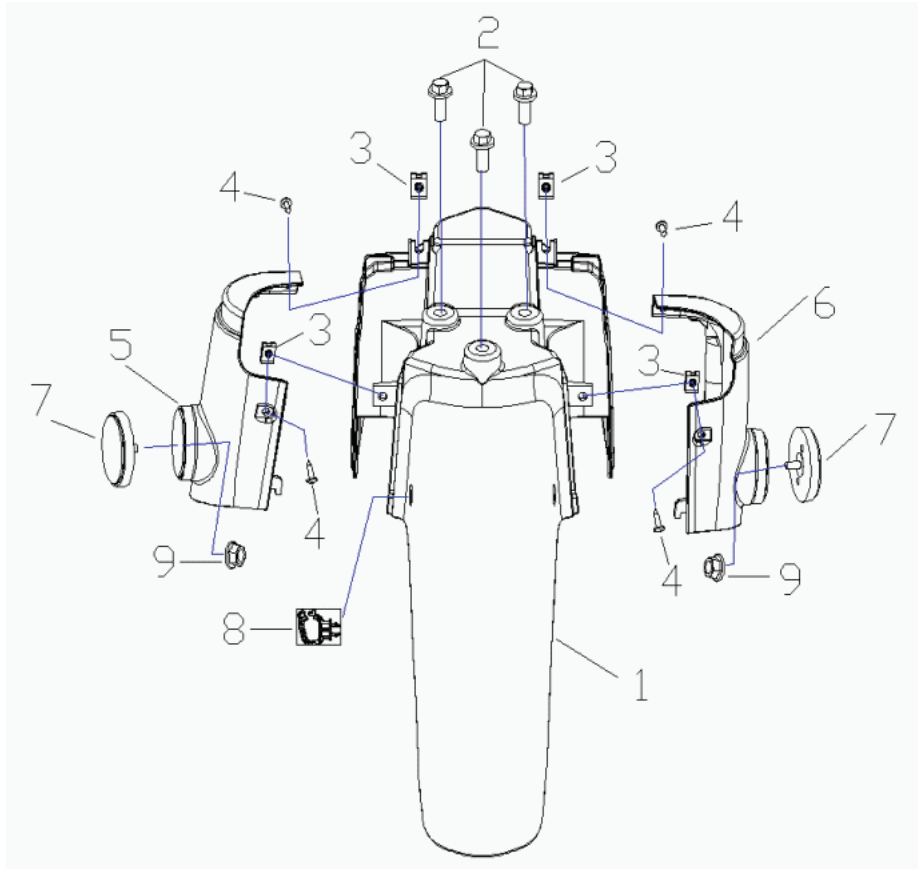
Ref. No.	Part No.	Description	Qty
			F
1	63341-H418-000403	CAP VEHICLE LH PART (BLACK)	1
	63341-H418-000402	CAP VEHICLE LH PART (BLUE)	1
	63341-H418-000401	CAP VEHICLE LH PART (YELLOW)	1
2	63352-H418-000403	CAP VEHICLE RH PART (BLACK)	1
	63352-H418-000402	CAP VEHICLE RH PART (BLUE)	1
	63352-H418-000401	CAP VEHICLE RH PART (YELLOW)	1
3	B0009601060000K1X	WASHER 6	2
4	9A113-1060-01671X	SCREW M6X16	2
5	9A133-1042-010X0X	SCREW ST4.2X10	18
6	63301-H418-000506	LEFT SIDE CAP (BLACK)	1
	63301-H418-000505	LEFT SIDE CAP (BLUE)	1
	63301-H418-000504	LEFT SIDE CAP (YELLOW)	1
7	6334A-H418-0000	DECORATION BLOCK LH VEHICLE CAP	1
8	6335A-H418-0000	DECORATION BLOCK RH VEHICLE CAP	1
9	63332-H418-000506	RIGHT SIDE CAP (BLACK)	1
	63332-H418-000505	RIGHT SIDE CAP (BLUE)	1
	63332-H418-000504	RIGHT SIDE CAP (YELLOW)	1
10	91205-1042-017T1X	CLIP ST4.2X7	4
11	63602-H418-000071	TAIL CAP	1
12	9A133-1042-013X1X	SCREW ST4.2X13	2
13	6222B-0000-2200	RUBBER WASHER 13X17X26-3+4+3	4

WIND BOARD



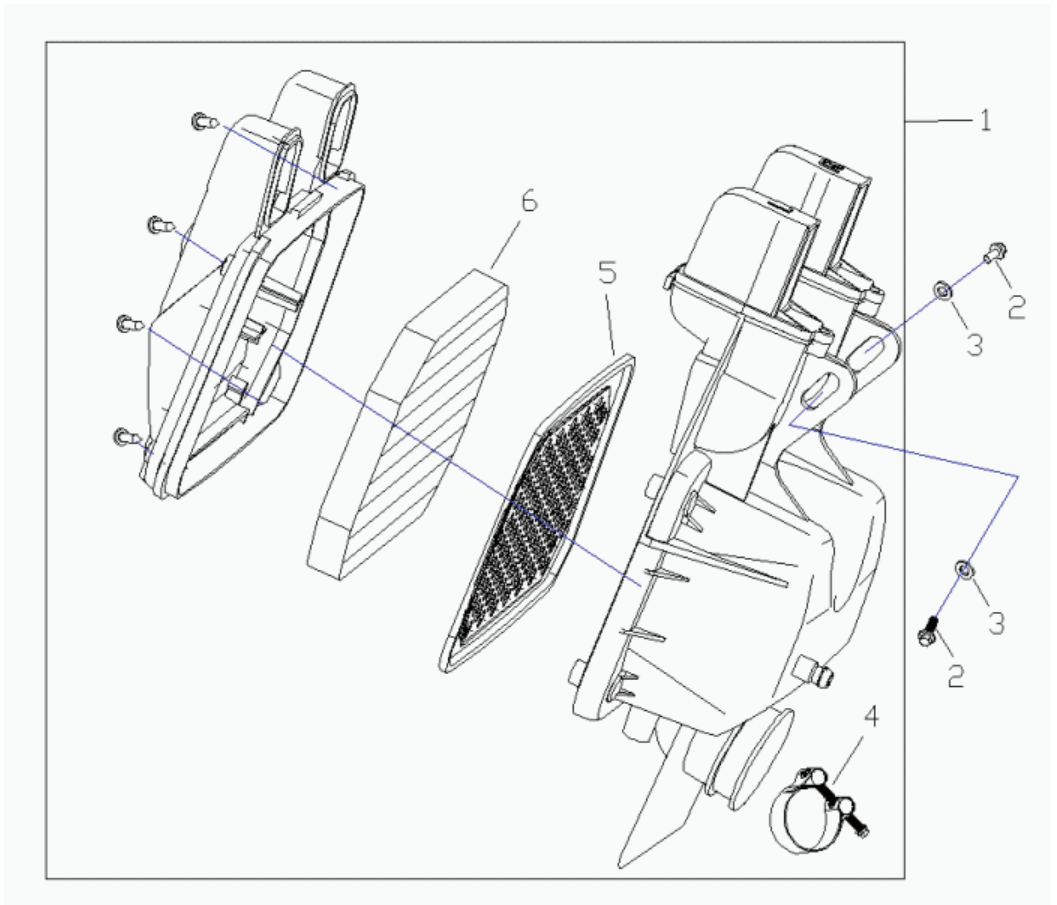
Ref. No.	Part No.	Description	Qty
			F
1	63401-H418-010001	LEFT WIND BOARD (BLACK)	1
	63401-H418-010002	LEFT WIND BOARD (BLUE)	1
	63401-H418-010003	LEFT WIND BOARD (YELLOW)	1
2	63406-H418-010001	RIGHT WIND BOARD (BLACK)	1
	63406-H418-010002	RIGHT WIND BOARD (BLUE)	1
	63406-H418-010003	RIGHT WIND BOARD (YELLOW)	1
3	9A133-1042-040X1X	SCREW ST4.2X40	2
	9A133-1042-013X1X	SCREW ST4.2X13	4
5	63424-H418-010001	BRACKET WIND BOARD	1
6	91218-1060-022T0U	CLIP M6X22.3X15	3
7	9A113-1060-02071X	SCREW M6X20	2
8	91205-1042-017T1X	CLIP ST4.2X17X11	4
9	63412-H418-0000	DECORATION PARTS LH WIND BOARD	1
10	63413-H418-0000	DECORATION PARTS RH WIND BOARD	1
11	9A113-1060-04070H	SCREW M6X40	2
12	B0009601060000K1X	WASHER 6	2
13	9A113-1060-02071X	SCREW M6X20	4
14	B057890006001671X	BOLT M6X16	2
15	91206-1060-02001X	CLIP M6X20	2
16	6312F-H418-000012	EXTERNAL BOARD, LH WIND BOARD (BLACK)	1
	6312F-H418-000010	EXTERNAL BOARD, LH WIND BOARD (BLUE)	1
	6312F-H418-000011	EXTERNAL BOARD, LH WIND BOARD (YELLOW)	1
17	6312E-H418-000012	EXTERNAL BOARD, RH WIND BOARD (BLACK)	1
	6312E-H418-000010	EXTERNAL BOARD, RH WIND BOARD (BLUE)	1
	6312E-H418-000011	EXTERNAL BOARD, RH WIND BOARD (YELLOW)	1

FRONT FENDER



Ref. No.	Part No.	Description	Qty
			F
1	63104-H670-000097	FRONT FENDER (BLACK)	1
	63104-H670-000096	FRONT FENDER (BLUE)	1
	63104-H670-000095	FRONT FENDER (YELLOW)	1
2	91112-1060-01771X	BOLT M6X17	3
3	91205-1042-017T1X	CLIP SELF TAPPING ST4.2-17X11	4
4	9A133-1042-013X1X	SELF TAPPING SCREW DIA.ST4.2X13	4
5	63127-H670-000076	LEFT DECO CAP FRONT FENDER (BLACK)	1
	63127-H670-0000KR	LEFT DECO CAP FRONT FENDER (BLUE)	1
	63127-H670-0000ML	LEFT DECO CAP FRONT FENDER (YELLOW)	1
6	63126-H670-000076	RIGHT DECO CAP FRONT FENDER (BLACK)	1
	63126-H670-0000KR	RIGHT DECO CAP FRONT FENDER (BLUE)	1
	63126-H670-0000ML	RIGHT DECO CAP FRONT FENDER (YELLOW)	1
7	85850-M154-000001	SIDE REFLECTOR	2
8	63111-H418-0000	WIRE PROTECTING RING	2
9	B061770106000061X	NUT M6	2

AIR CLEANER

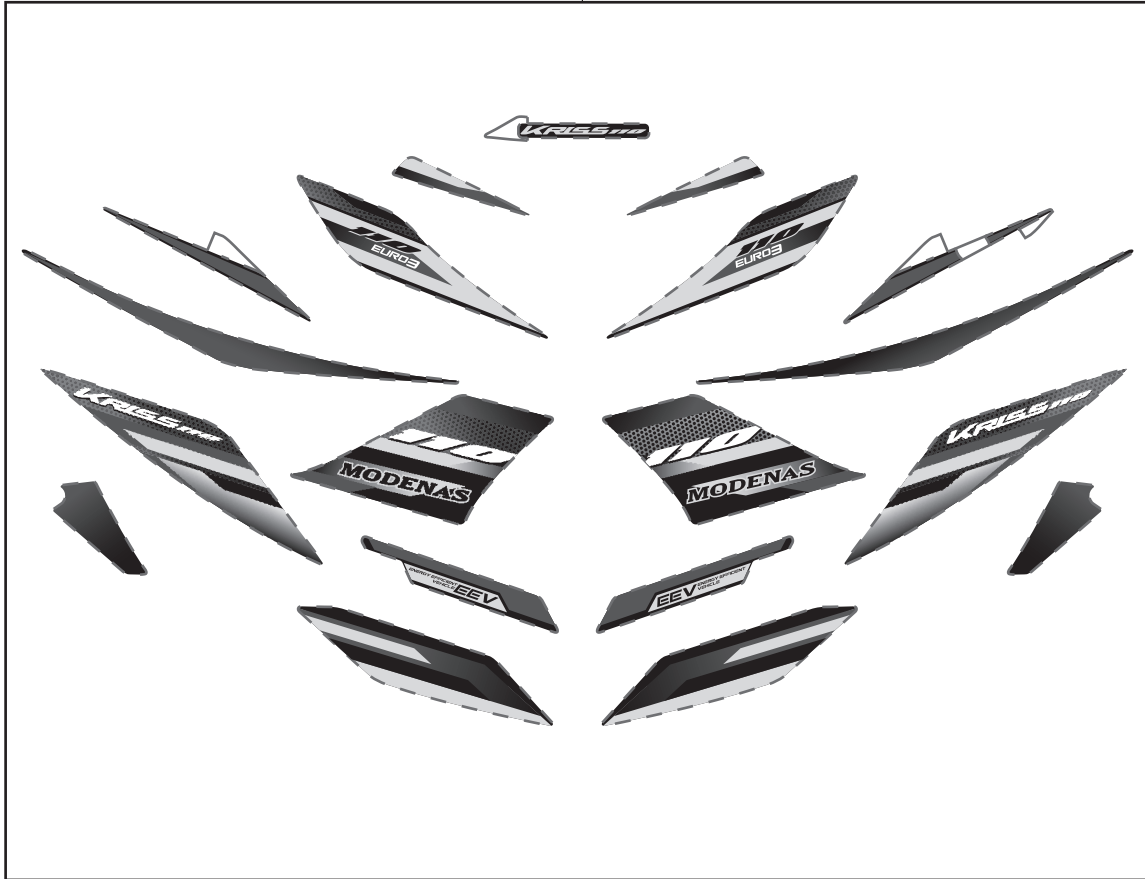


Ref. No.	Part No.	Description	Qty
			F
1	16100-H337-040001	AIR CLEANER	1
2	B057890006001271X	BOLT M6X12	2
3	B0009601060000K1X	WASHER 6	2
4	16123-I126-00000C	JOINT CLIP AIR CLEANER	1
5	16114-G124-0400	FILTER NET AIR CLEANER	1
6	16101-G124-0400	CORE AIR CLEANER	1

DECALS GROUP 5

PATTERNS

1 / 2 / 3



Ref. No.	Part-No	Description	Qty
			F
1	40181-519-0144ZLB	PATTERN-SET COLOUR BLACK	1
2	40181-519-0144ZBB	PATTERN-SET COLOUR BLUE	1
3	40181-519-0144ZYB	PATTERN-SET COLOUR YELLOW	1

PART NO. GROUP 6

PART-NO AND DESCRIPTION (ENGINE)

NO	PART-NO	DESCRIPTION	GRID NO
1	1M0CC0736	ENGINE	E01
2	100010074	O-RING DIA.13.2X2.65	E07
3	100010667	BEARING 6001	E10
4	100010676	BEARING 6201	E11
5	100010678	BEARING 6203	E10
6	100010678	BEARING 6203	E11
7	100010685	BEARING 6304	E12
8	100011099	RETAINING RING 17	E13
9	100031594	O-RING DIA.52.5X2	E17
10	100031604	O-RING DIA.18X3	E06
11	100031716	BEARING 6000	E06
12	100032890	PIN DIA.2.5X10	E09
13	100033003	RETAINING RING 11	E17
14	100051306	CLUTCH MANIPULATE ARM COMBINATION	E06
15	100054745	OIL RING ASSY	E20
16	100059272	WASHER	E06
17	100062531	SEAL VALVE STEM	E02
18	100066182	ROCKER ARM	E02
19	100066183	ROTOR ASSY MAGNETO	E16
20	100068320	CRANKSHAFT CONNECTING ROD ASSY	E12
21	100100159	OIL PUMP COVER	E09
22	100100231	CYLINDER STUD BOLT A	E04
23	100100289	CYLINDER STUD BOLT B	E04
24	100100290	CYLINDER STUD BOLT B	E04
25	100100392	BOLT RETURN SPRING FIXING 8X11	E15
26	100100487	BOLT M5X12	E02
27	100100514	LOCK NUT CLUTCH	E08
28	100100528	LOCK NUT PRIMARY CLUTCH	E08
29	100100580	CHECK RING PISTON RING	E20
30	100100595	CIRCLIP DIA.15.5X1.2XDIA.19	E14
31	100100596	CIRCLIP DIA.18.5X1.2XDIA.21.1	E14
32	100100629	CHECK RING DIA.18.5X1.2XDIA.22	E13
33	100100637	PIN	E08
34	100100639	SEMICIRCULAR KEY	E12
35	100100867	DOWEL PIN DIA.8X12XDIA.6.3	E06
36	100100867	DOWEL PIN DIA.8X12XDIA.6.3	E07
37	100100888	PIN DIA.3X9	E15
38	100100898	PIN DIA.4X9	E15
39	100100901	PIN DIA.4X13	E15
40	100101058	NEEDLE BEARING	E06

NO	PART-NO	DESCRIPTION	GRID NO
41	100101210	DOWEL PIN DIA.8X12XDIA.7	E04
42	100101211	DOWEL PIN DIA.8X14XDIA.7	E04
43	100101356	PISTON	E20
44	100101506	PIN PISTON	E20
45	100101953	HUB DUMP CHAIN SPROCKET	E12
46	100102729	DOWEL PIN DIA. 10X14	E10
47	100102874	BUSH 9.5	E04
48	100103067	FIXING PLATE MAGNETO CABLE	E07
49	100103200	ASSY OVERRUNNING CLUTCH	E16
50	100103210	SPRING	E16
51	100103211	CLUTCH ROLLER	E16
52	100103213	CONE BLOCKAGE	E16
53	100103246	DISK INSULATOR	E17
54	100103247	PLATE START CLUTCH	E17
55	100103253	STARTING MOTOR DRIVE CHAIN	E17
56	100103272	ASSY CHAIN PROTECT PLATE	E17
57	100103278	ASSY GUIDE PLATE	E17
58	100103340	WASHER	E08
59	100103343	DISH WASHER CLUTCH	E08
60	100103344	DISH WASHER CLUTCH	E08
61	100103348	SPACER SLEEVE CLUTCH	E08
62	100103350	FIXING RING CLUTCH	E08
63	100103352	SLEEVE CLUTCH	E08
64	100103357	CENTER SLEEVE CLUTCH	E08
65	100103420	OUTER FRICTION DISK A	E08
66	100103450	CAM PLATE ASSY CLUTCH	E06
67	100103457	THRUST WASHER PRIMARY CLUTCH	E08
68	100103459	STOP WASHER PRIMARY CLUTCH	E08
69	100103460	COVER PRIMARY CLUTCH	E08
70	100103461	CIRCLIP PRIMARY CLUTCH	E08
71	100103462	CIRCLIP PRIMARY CLUTCH	E08
72	100103467	SPRING	E08
73	100103468	SHAKE ABSOBER	E08
74	100103471	INNER PLATE OVERRUNNING CLUTCH	E08
75	100103570	SLEEVE	E13
76	100103602	GEARM-2	E13
77	100103603	GEAR M-3	E13
78	100103604	GEAR M-4	E13
79	100103646	WASHER	E13
80	100103706	GEAR C-1	E13

PART-NO AND DESCRIPTION (ENGINE)

NO	PART-NO	DESCRIPTION	GRID NO
81	100103707	GEAR C-2	E13
82	100103708	GEAR C-3	E13
83	100103709	GEAR C-4	E13
84	100103776	COLLAR 20X9	E13
85	100103800	DRIVE SPROCKET	E13
86	100103891	GUIDE PIN	E15
87	100103892	CLIP SPRING	E15
88	100103980	SPRING LOCATING PLATE	E15
89	100103996	GEARSHIFT LEVER TENSION SPRING	E15
90	100104129	SPARK PLUG	E02
91	100104271	SPROCKET	E17
92	100104485	GEARSHIFT SWITCH PRESSING PLATE	E15
93	100104486	CONTACT GEARINDICATION	E15
94	100104512	RETANGLE RING 8X10.8X1.5	E04
95	100104513	RETANGLE RING 11.5X16X2.5	E04
96	100104601	GASKET OIL PUMP	E09
97	100104606	GASKET CARBURETOR	E02
98	100104647	OIL SEAL 11.6X24X10	E10
99	100104696	OILS SEAL 17X29X5	E10
100	100104729	OIL SEAL 13.8X24X5	E06
101	100104777	OIL SEAL 30X42X4.5	E17
102	100104785	OIL SEAL 19X30X5	E17
103	100104914	OIL PUMP SPROCKET SHAFT	E09
104	100104916	BUSH SPROCKET	E09
105	100104941	STRAINER OIL PUMP	E09
106	100104951	HUB DUMP CHAIN SPROCKET OIL PUMP	E09
107	100105029	TIMING DRIVEN SPROCKET	E02
108	100105089	SPROCKET CHAIN	E05
109	100105148	ROCKER SHAFT	E02
110	100105156	NUT VALVE CLEARANCE	E02
111	100105167	SCREW VALVE CLEARANCE	E02
112	100105204	SPRING	E05
113	100105207	AXLE TENSIONER LEVER	E05
114	100105239	PLUG OF TIGHTENER	E05
115	100105253	CAM CHAIN TENSIONER PUSH ROD	E05
116	100105256	CHAIN ADJUSTING SET	E05
117	100105305	SPRING SEAT	E02
118	100105313	OUTER VALVE SPRING RETAINER	E02
119	100105320	VALVE LOCKER	E02
120	100105737	SEAT SPRING KICK STARTING SHAFT	E14

NO	PART-NO	DESCRIPTION	GRID NO
121	100105767	GEAR KICK STARTER	E14
122	100106337	WASHER DIA.6.2X2XDIA.13	E02
123	100106518	WASHER DIA.17.2X1XDIA.24	E14
124	100106520	WASHER DIA.17.2X1.2XDIA.26	E13
125	100106527	WASHER DIA.20.2X1XDIA.27	E14
126	100106533	WASHER DIA.29.5X0.8XDIA.38	E08
127	100106538	WASHER DIA.6.2X1.5XDIA.13	E05
128	100106540	WASHER DIA.6.5X1XDIA.12	E02
129	100106548	WASHER DIA.12.1X2XDIA.20	E11
130	100106552	WASHER DIA.14X1.5XDIA.20	E05
131	100106565	WASHER DIA.6.2X2XDIA.13	E02
132	100107650	O-RING DIA.106.8X2	E17
133	100107728	O-RING DIA.25X2.4	E02
134	100107731	O-RING DIA.27.4X2.65	E07
135	100107742	O-RING DIA.29.6X3.2	E02
136	100107799	O-RING DIA.6.5X1.8	E17
137	100107836	O-RING DIA.8X1.8	E06
138	100108014	OUTER CASE PRIMARY CLUTCH	E08
139	100200112	CAMPSHAFT COMP	E02
140	100200330	GUIDE CHAIN ROLLER PIN	E04
141	100200330	WASHER DIA.8X1.5XDIA.14	E04
142	100200404	ROCKER ARM ASSY VALVE	E02
143	100200570	INTAKE VALVE	E02
144	100200615	EXHAUST VALVE	E02
145	100200667	VALVE OUTER SPRING	E02
146	100200681	VALVE INNER SPRING	E02
147	100200724	INNER SPRING ASSY	E02
148	100201126	GASKET INLET PIPE	E02
149	100201840	KICK STARTING SHAFT ASSY	E14
150	100201899	RETURN SPRING KICK STARTING SHAFT	E14
151	100201907	PIVOT KICK STARTING SHAFT	E14
152	100202618	STARTING CLUTCH BODY	E16
153	100202677	DISK INSULATOR	E17
154	100202694	PLATE GEAR ASSY	E17
155	100202720	PLATE GEAR ASSY	E17
156	100202781	CLUTCH ASSY	E08
157	100202930	OIL INSULATING CLUTCH	E08
158	100203183	CLUTCH TAPPET	E06
159	100203206	DUST COVER	E06
160	100203228	SPRING PRIMARY CLUTCH	E08

PART-NO AND DESCRIPTION (ENGINE)

NO	PART-NO	DESCRIPTION	GRID NO
161	100203271	TRANSMISSION MAIN COUNTER SHAFT	E13
162	100203420	MAIN SHAFT TRANSMISSION	E13
163	100203459	TRANSMISSION MAIN SHAFT	E13
164	100203475	WASHER	E13
165	100203476	WASHER	E13
166	100203526	COUNTERSHAFT TRANSMISSION	E13
167	100203588	TRANSMISSION COUNTERSHAFT	E13
168	100203631	DAMPING SPRING COUNTERSHAFT	E13
169	100203634	LIMIT PLATE GEARSHAFT	E13
170	100203657	FIXING PLATE DRIVE SPROCKET	E13
171	100203714	GEARSHIFT FORK	E15
172	100203779	GEARSHIFT DRUM COMP	E15
173	100203806	STOPPING PLATE	E15
174	100203822	GEARSHIFT DRUM	E15
175	100203912	GEARSHIFT SHAFT COMP	E15
176	100203925	RETURN SPRING	E15
177	100203947	LIMIT SCREW	E15
178	100203957	LOCATING PLATE ASSY	E15
179	100204455	OIL PUMP ASSY	E09
180	100204475	SHAFT OIL PUMP	E09
181	100204475	INNER ROTOR OIL PUMP	E09
182	100204541	OIL PUMP BODY	E09
183	100204600	OUTER ROTOR OIL PUMP	E09
184	100205193	ROTOR ASSY MAGNETO	E16
185	100205538	LIMIT PLATE REDUCTING VALVE	E02
186	100206342	PISTON ASSY	E20
187	100206378	PISTON RING 1	E20
188	100206436	PISTON RING 2	E20
189	100207053	CONNECTING ROD COMP 3	E12
190	100208480	GASKET CYLINDER HEAD UPPER COVER	E02
191	100208489	GASKET L.CYLINDER HEAD COVER	E02
192	100208500	GASKET R.CYLINDER HEAD COVER	E02
193	100208510	GASKET L.CRANKCASE COVER	E07
194	100208557	GASKET ASSY CYLINDER BLOCK	E04
195	100208630	GASKET R. CRANKCASE	E06
196	100208679	GASKET CRANKCASE	E11
197	100208791	GASKET PRIMARY CLUTCH COVER	E08
198	100208792	GASKET OIL PUMP COVER	E09
199	100208816	GASKET ASSY CYLINDER HEAD	E04
200	100301310	CLUTCH ASSY	E08

NO	PART-NO	DESCRIPTION	GRID NO
201	100301347	END COVER CLUTCH	E08
202	100301355	PRESSURE PLATE CLUTCH	E08
203	100301379	SPRING CLUTCH	E08
204	100301404	OUT CASE ASSY CLUTCH	E08
205	100301461	DRIVE FRICTION DISK	E08
206	100303082	PISTON RING COMP	E20
207	100303337	STARTING RATCHET	E14
208	100303348	SPRING KICK STARTING RATCHET WHEEL	E14
209	100303503	ASSY PRIMARY CLUTCH	E08
210	100303507	STOP WASHER PRIMARY CLUTCH	E08
211	100303529	DRIVE DISK ASSY PRIMARY CLUTC	E08
212	100303533	DRIVE DISK PRIMARY CLUTCH	E08
213	100303537	COUNTER WEIGHT SET PRIMARY CLUTCH	E08
214	100304463	LEFT COVER PARTS	E07
215	100304475	COVER COMP RIGHT CRANKCASE	E06
216	100320042	CYLINDER HEAD PARTS	E02
217	100010845-0001	BOLT M8X15	E16
218	100010953-0001	SCREW M5X10	E09
219	100011168-0003	BOLT M5X12	E07
220	100011171-0002	BOLT M6X12	E17
221	100011173-0003	BOLT M6X16	E08
222	100011264-0003	BOLT M6X16	E15
223	100011267-0003	BOLT M6X22	E08
224	100011534-0002	BOLT M6X25	E02
225	100011534-0002	BOLT M6X25	E07
226	100011537-0002	BOLT M6X35	E07
227	100011538-0003	BOLT M6X40	E06
228	100011540-0007	BOLT M6X50	E10
229	100011540-0007	BOLT M6X50	E17
230	100011542-0001	BOLT M6X60	E10
231	100011543-0001	BOLT M6X65	E06
232	100011543-0001	BOLT M6X65	E10
233	100031847-0006	SCREW M5X8	E08
234	100031851-0004	SCREW M6X12	E15
235	100031852-0005	SCREW M6X16	E09
236	100031854-0002	SCREW M6X22	E09
237	100031911-0004	BOLT M6X10	E13
238	100031957-0007	BOLT M6X32	E07
239	100031959-0007	BOLT M6X70	E07
240	100031960-0007	BOLT M6X80	E06

PART-NO AND DESCRIPTION (ENGINE)

NO	PART-NO	DESCRIPTION	GRID NO
241	100033087-0006	BOLT M6X42	E06
242	100033099-0006	BOLT M6X18	E05
243	100055587-0006	BOLT M6X28	E07
244	100055589-0006	BOLT M6X16	E07
245	100100331-0006	OIL DRAIN PLUG	E11
246	100100343-0007	SEALING PLUG M14X1.5	E05
247	100100372-0001	BOLT M8	E06
248	100100382-0007	BOLT M6X23	E04
249	100100438-0002	BOLT M6X32	E02
250	100100465-0001	SCREW	E15
251	100100492-0007	BOLT M6X110	E02
252	100100507-0004	NUT M6	E02
253	100100562-0002	NUT	E06
254	100102869-0013	COVER VALVE CHAMBER	E02
255	100102915-0005	CLIP OVERFLOW PIPE	E10
256	100102935-0011	LEFT CRANKCASE BLOCK	E10
257	100103015-0013	RIGHT CRANKCASE BLOCK	E11
258	100103059-0016	CAP SMALL VIEW HOLE	E07
259	100103062-0015	CAP BIG VIEW HOLE	E07
260	100105067-0006	GUIDE CHAIN ROLLER PIN	E04
261	100123471-0001	SCREW M6X16	E17
262	100132820-0003	CYLINDER HEAD ASSY	E02
263	100200056-0002	OIL RULER ASSY	E06
264	100202220-0029	BACK PART L.CRANKCASE COVER	E07
265	100202572-0072	COVER COMP R.CRANKCASE	E06
266	100203191-0001	CLUTCH TAPPET	E06
267	100203869-0001	GEAR SHIFT LEVER COMP	E15
268	100204662-0007	BOLT M6X30	E04
269	100204698-0001	NUT	E18
270	100204895-1504	FRONT PART L.CRANKCASE COVER	E07
271	100205028-0003	STATOR ASSY MAGNETO	E07
272	100205313-0013	STARTING MOTOR ASSY	E17
273	100205587-0009	UPPER COVER CYLINDER HEAD	E02
274	100205635-0007	CYLINDER HEAD LEFT COVER	E02
275	100205661-0006	RIGHT COVER CYLINDER HEAD	E02
276	100207321-0011	CYLINDER BLOCK ASSY	E04
277	100208384-0002	GEARSHIFT SWITCH LAMP	E15
278	15800-H327-0000	INTAKE PIPE	E19
279	17100-0000-030009	CARBURETOR	E19
280	18000-H418-210002	MUFFLER	E03

NO	PART-NO	DESCRIPTION	GRID NO
281	18030-H206-0000	SEAL PAD, EXHAUST MUFFLER	E03
282	18040-H0E5-000066	COVER REAR, EXHAUST MUFFLER	E03
283	18089-G011-0400	AIR SUPPLY PUMP BRACKET	E21
284	18090-G011-0200	AIR PUMP	E21
285	18092-0000-970001	PIPE 9X15X(30+140)	E21
286	18092-0000-A001	EXHAUST RUBBER PIPE	E21
287	1809B-G011-02000Y	EXHAUST IRON PIPE ASSY	E21
288	26012-519-0017	BATTERY	E18
289	613140070ZGT0000X	OIL PIPE ASSY 4X8X70	E19
290	613140120ZGT0000XQ	OIL PIPE ASSY 4X8X120	E19
291	6222D-0000-1200	RUBBER PAD	E03
292	81100-H418-0000	IGNITION COIL	E18
293	81110-I357-0000	SPARK PLUG	E18
294	81120-H418-0000	IGNITION COIN BUNDLE	E18
295	81200-H259-0000	IGNITOR	E18
296	82290-I258-0000	STARTING RELAY	E18
297	83100-H259-C000	RECTIFIER	E18
298	83230-0000-0400	ELECTROLYTE	E18
299	84600-H418-C000	SWITCH REAR BRAKING LAMP	E18
300	85100-H418-C00002	MAIN CABLE	E18
301	85171-0000-0000	FUSE 10A	E18
302	85500-H259-0100	HORN	E18
303	85500-H259-0100	BOLT M6X8	E18
304	85600-I126-C10001	FLASHER	E18
305	90268-DA80-0000	EXHAUST IRON PIPE SEAL PAD	E21
306	90275-I008-0000	SECONDARY AIR PUMP BRACKET	E21
307	91202-1080-01831X	CAP NUT M8X17.5	E03
308	91302-0060-15071X	WASHER FLANGED	E03
309	9A113-1060-01671X	SCREW M6X16	E03
310	B0009601080000K1X	WASHER 8	E03
311	B057830005001671X	M5X16	E18
312	B057890006001271X	BOLT M6X12	E18
313	B0578900080040T1X	BOLT M8X40	E03
314	B061870108000061X	NUT M8	E03
315	B166740106001671X	BOLT M6X16	E21
316	B166740106002571X	BOLT M6X25	E19
317	B166740106002571X	BOLT M6X25	E21
318			
319			
320			

PART-NO AND DESCRIPTION (FRAME)

NO	PART-NO	DESCRIPTION	GRID NO
321	31100-H418-060001	FRAME	F01
322	63342-H206-0100	RUBBER PLUG VEHLICE	F01
323	08216-0000-4000	TIE BELT	F01
324	B0578900080100T1X	BOLT M8X100	F01
325	B0578900080115T1X	BOLT M8X115	F01
326	B061870108000061X	NUT M8	F01
327	B0009601080000K1X	WASHER 8	F01
328	31221-H206-0100	FRONT SUSPENSION RUBBER PLUG	F01
329	31203-H418-020001	BRACKET FRONT COVER	F01
330	B166740106005571X	BOLT M6X55	F01
331	B061770106000061X	NUT M6	F01
332	91218-1060-022T0U	CLIP M6X22.3X15	F01
333	63437-H418-000001	BRACKET MAIN CABLE	F01
334	B061870210000061X	LOCK NUT M10X1.25	F02
335	35281-H0E5-00001X	SHAFT SWING ARM	F02
336	B0009701100000K1X	PLANE WASHER 10	F02
337	35200-H418-010003	FORK / SWING ARM ASSY	F02
338	35001-H206-0000	PROTECTING CLIP CHAIN	F02
339	9A133-1042-013X1X	SELF TAPPING SCREW ST4.2X13	F02
340	B057892010003771X	BOLT M10X1.25X37	F02
341	33300-H670-C00072	REAR ABSORBER SHOCK	F02
342	91301-0100-25021X	PLANE WASHER DIA.10XDIA.25-2	F02
343	B000930008000001X	SPRING WASHER 8	F02
344	B009230010000061X	CAP NUT M10X1.25	F02
345	3520B-H418-000000	SHAFT BUSH SUB ASSY	F02
346	3520A-H418-010001	FORK / SWING ARM WELDING ASSY	F02
347	35214-G124-000002	CONNECTING BOLT	F02
348	35215-G124-00006N	POSITIONING PIPE REAR BRAKE	F02
349	B061800008000061X	NUT M8	F02
350	B000910002001601X	OPENING PIN 2X16	F02
351	B061730010000061X	NUT M10X1.25	F02
352	32100-H261-000001	FRONT FOOTPEG ASSEMBLY	F03
353	32101-H0E5-0100	RUBBER BUSH FRONT FOOTPEG	F03
354	32147-H0E5-010001	WELDING COMPONENTS FRONT FOOTPEG	F03
355	32102-H206-0000	SPRING SIDE BRACKET	F03
356	32130-H259-00006N	WELDING ASSY SIDE STAND	F03
357	B061710010000061X	NUT M10X1.25	F03
358	32131-H206-00000B	BOLT SIDE BRACKET	F03
359	B057890008002071X	BOLT M8X20	F03
360	B000930008000001X	SPRING WASHER 8	F03

NO	PART-NO	DESCRIPTION	GRID NO
361	B0009701080000K1X	PLANE PAD	F03
362	32200-H0E5-00006N	MAIN BRACKET	F04
363	32281-H206-00001X	SHAFT MAIN BRACKET	F04
364	32204-H206-0100	DAMPING PAD MAIN BRACKET	F04
365	32203-H206-000001	HOOK MAIN BRACKET	F04
366	32202-H206-00000X	SPRING MAIN BRACKET	F04
367	B008940117000000S	CLIP SHAFT	F04
368	91301-0170-23021X	WASHER DIA.17X23X1.5	F04
369	24400-G129-04006N	GEAR SHIFT FOOTPEG	F05
370	21200-H0E5-000002	STARTING ARM	F05
371	B057830006002571X	BOLT M6X25	F05
372	84602-H206-000002	SWITCH SPRING REAR BRAKING LAMP	F05
373	52100-H259-00006N	REAR BRAKING LEVER	F05
374	52200-H259-010001	PULL ROD REAR BRAKE	F05
375	52105-H0E5-000004	RETURNING REAR BRAKE	F05
376	B0009701060000K1X	WASHER 6	F05
377	52109-H259-0000	RUBBER BUSH REAR BRAKING LEVER	F05
378	B057830006002071X	BOLT M6X20	F05
379	24425-I126-C000	RUBBER BUSH GEAR FOOTPEG ROD	F05
380	21208-H259-0000	RUBBER BUSH STARTING ARM	F05
381	B000910002001601X	OPENING PIN 2X16	F05
382	32410-H0E5-040002	LEFT REAR PEDAL ASSY	F06
383	32420-H0E5-040002	RIGHT REAR PEDAL ASSY	F06
384	B057890008002071X	BOLT M8X20	F06
385	32415-H0E5-030001	BRACKET LEFT REAR PEDAL	F06
386	32416-H0E5-000002	RUBBER BUSH REAR PEDAL	F06
387	32425-H0E5-030001	BRACKET RIGHT REAR FOOTPEG	F06
388	B000910002001601X	OPEN PIN 2X16	F06
389	B0009701060000K1X	WASHER 6	F06
390	32471-H870-C00001	PIN SHAFT	F06
391	42200-H418-010001	GROUPWARE REAR ARMREST	F07
392	B0009701080000K1X	PLANE PAD	F07
393	B0578900080040T1X	BOLT M8X40	F07
394	91302-0085-23121X	FLANGED WASHER 8.5X23X12	F07
395	69110-H0P8-0000	LEFT REAR VIEW MIRROR	F08
396	69120-H0P8-0000	RIGHT REAR VIEW MIRROR	F08
397	72100-H0E5-00006N	TUBE, STEERING HANDLEBAR	F08
398	72010-H206-0100	RUBBER BUSH, LEFT HANDLEBAR	F08
399	72208-H259-0100	HANDLEBAR, CHOKE	F08
400	72207-H206-0100	BRACKET, CHOKE	F08

PART-NO AND DESCRIPTION (FRAME)

NO	PART-NO	DESCRIPTION	GRID NO
401	72215-H206-0100	SKIDPROOF GASKET, CHOKE	F08
402	72032-H0E5-0000	DECORATION HEAD PART	F08
403	B0009601050000K1X	PLANE PAD 5	F08
404	B008180005001621X	SCREW M5X16	F08
405	B008180005001221X	SCREW M5X12	F08
406	B061870210000061X	NUT M10X1.25	F08
407	72118-0000-00001X	LOCKING BUSH, STEERING HANDLEBAR TUBE	F08
408	B057892010005071X	BOLT M10X1.25X50	F08
409	17010-H206-0100	FIXING SEAT, OILER	F08
410	72020-H206-0100	RUBBER BUSH ASSEMBLY RIGHT HANDLEBAR	F08
411	B000930005000001X	SPRING WASHER 5	F08
412	72309-H259-0000	HANDLE FRONT BRAKE	F08
413	71208-H418-0000	UPPER RETAINING BRACKET	F09
414	B057892010004571X	BOLT 10X1.25X45	F09
415	34100-H670-030069	LEFT FRONT ABSORBER	F09
416	34200-H670-030069	RIGHT FRONT ABSORBER	F09
417	71202-G124-0000	LOWER CHECK BEARING 34	F09
418	7110A-H259-010065	STEERING POST ASSY	F09
419	71106-H206-00001X	LOCK NUT STEERING POST	F09
420	71135-H206-00001X	CLIP RING STEERING ROD	F09
421	71105-H206-00001X	ADJUSTING NUT STEERING POST	F09
422	71204-G124-0000	LOWER SEAT BEARING 54	F09
423	71123-H206-00001X	PLANE WASHER	F09
424	71201-G124-0000	UPPER CHECK RING BEARING 26	F09
425	71203-G124-0000	UPPER SEAT RING BEARING 45	F09
426	71209-H418-0000	LOWER RETURNING BRACKET	F09
427	61100-H670-020001	FUEL TANK	F10
428	61180-0000-0500	FUEL FILTER	F10
429	87200-H670-0000	FUEL SENSOR	F10
430	87201-H418-000002	SEAL RING SENSOR	F10
431	613140650ZGT0000X	COMPOUND FUEL PIPE DIA.4X8X650	F10
432	9A113-1050-01471X	SCREW M5X14	F10
433	54100-H206-050093	FRONT BRAKE	F11
434	54100-H206-050093	BOLT M6X25	F11
435	54115-H206-000001	PULL ARM FRONT BRAKE	F11
436	B0009701060000K1X	WASHER 6	F11
437	B061770106000061X	NUT 6	F11
438	54121-H206-000001	INDICATING BOARD FRONT BRAKE	F11
439	54107-H206-000001	RETURNING SPRING FRONT BRAKE	F11
440	54112-H206-000001	CAM FRONT BRAKE	F11

NO	PART-NO	DESCRIPTION	GRID NO
441	54140-H206-000090	COVER FRONT BRAKE	F11
442	54168-H206-0000	HELICAL GEAR COMBINATION	F11
443	54150-H206-0000	PAD FRONT BRAKE ASSY	F11
444	54104-H206-0000	PULLSPRING PAD FRONT BRAKE	F11
445	54200-H206-050094	REAR BRAKE	F12
446	54205-H206-000001	CAP REAR BRAKE	F12
447	91113-1080-13371X	STEP BOLT	F12
448	54209-H206-00001X	CAM REAR BRAKE	F12
449	54141-H206-0000	FELT FRONT BRAKE	F12
450	54208-H206-00001X	INDICATING REAR BRAKE	F12
451	54207-H206-00001X	PULLING ARM REAR BRAKE	F12
452	54220-H206-0200	PAD REAR BRAKE ASSY	F12
453	54201-H206-0000	PAD SPRING REAR BRAKE	F12
454	B057820006003571X	BOLT M6X35	F12
455	B0009701060000K1X	WASHER 6	F12
456	B061770106000061X	NUT M6	F12
457	91301-0080-20021X	WASHER 8	F12
458	91301-0080-20021X	NUT M8	F12
459	B000910002001601X	OPENING PIN 2X16	F12
460	9131B-0000-0300	RUBBER PLANE PAD	F12
461	B000930008000001X	SPRING WASHER 8	F12
462	42600-H670-0000	MIDDLE GOODS CASE	F13
463	41158-H418-0000	WATER LEAKAGE PIPE SUNDRIES BOX	F13
464	B166740106003071X	BOLT M6X30	F13
465	42603-H0E5-000001	CAP MIDDLE GOOD CASE	F13
466	91205-1042-017T1X	CLIP ST4.2X17X11	F13
467	62308-H670-0000	CAP FRAME NUMBER	F13
468	42424-H670-0000	LOWER RUBBER PAD, SUNDRIES BOX	F13
469	91302-0065-20181X	FLANGED WASHER DIA.6.5XDIA.20X18	F13
470	9A133-1042-013X1X	SCREW ST4.2X13	F13
471	B057890006001671X	BOLT M6X16	F13
472	B0009601060000K1X	WASHER 6	F13
473	63201-H418-0000	FRONT PART, REAR FENDER	F14
474	B166740106001671X	BOLT M6X16	F14
475	91302-0060-18071X	FLANGED WASHER DIA.6X18-7	F14
476	9A133-1042-013X1X	SCREW ST4.2X13	F14
477	91205-1042-017T1X	CLIP ST4.2-17X11	F14
478	6222B-0000-1200	RUBBER PAD DIA.8.5X12X17-2.5+3+2.5	F14
479	86200-H418-C10001	REAR LAMP ASSY	F15
480	91205-1042-017T1X	CLIP ST4.2X17	F15

PART-NO AND DESCRIPTION (FRAME)

NO	PART-NO	DESCRIPTION	GRID NO
481	9A113-1060-01671X	SCREW M6X16	F15
482	B0009601060000K1X	WASHER 6	F15
483	B057890006001271X	BOLT M6X12	F15
484	9A133-1042-013X1X	SCREW ST4.2X13	F15
485	85830-M154-000001	REFLECTOR REAR	F15
486	63202-H418-0000	REAR PART REAR FENDER	F15
487	86700-J0A2-000001	REAR LICENSE PLATE LAMP	F15
488	86720-0000-0200	BULB LICENSE PLATE	F15
489	86260-0000-C270	BULB REAR LAMP	F15
490	9A133-1042-016X1X	SCREW ST4.2X16	F15
491	86500-H0E5-010001	LEFT TURNING LAMP REAR	F15
492	86600-H0E5-010001	RIGHT TURNING LAMP REAR	F15
493	86800-B1P6-000001	TO LOCATE BLOCK	F15
494	B061770106000061X	NUT M6	F15
495	B166740106001671X	BOLT M6X16	F15
496	35110-H670-0000	UPPER CHAIN CASE	F16
497	26400-4280-0100	CHAIN 428X100	F16
498	B0009601060000K1X	WASHER 6	F16
499	B057890006001271X	BOLT M6X12	F16
500	26412-0000-000000	CHAIN CLIP	F16
501	26413-0000-000000	CHAIN PRESSURE BOARD	F16
502	26411-0000-000000	CONNECTING END CHAIN (S)	F16
503	51120-H136-C00066	FRONT ALUMINIUM WHEEL 1.4X17	F17
504	B061870210000061X	LOCK NUT M10X1.25	F17
505	51102-H259-02001X	RIGHT BUSH FRONT WHEEL	F17
506	51181-H206-01001X	AXLE FRONT WHEEL	F17
507	51117-0000-80000B	INNER BUSH HUB DIA.18X12X42.2	F17
508	51108-0000-0400	FRONT WHEEL SUPPORTING RING	F17
509	51116-0000-3400	OIL SEAL HUB 23X37X7/11	F17
510	92102-0006300-2RS	BEARING 6300-2RS	F17
511	41009-503-0032	TYRE-ASSY-FRONT	F17
512	55008-H206-00001X	SPROCKET BUSH	F18
513	51220-H136-060066	REAR ALUMINUM WHEEL 1.6X17	F18
514	35011-H206-000001	LEFT ADJUSTER CHAIN	F18
515	35012-H206-000001	RIGHT ADJUSTER CHAIN	F18
516	51218-0000-0100	REAR WHEEL DAMPING BLOCK	F18
517	90101-10400000250	O-RING 40.4X2.5X3	F18
518	51202-H206-00001X	REAR WHEEL BUSH RIGHT	F18
519	92102-0006301-2RS	BEARING 6301-2RS	F18
520	51117-0000-49000C	INNER BUSH DIA.20X12X55.5 HUB	F18

NO	PART-NO	DESCRIPTION	GRID NO
521	51108-0000-0200	FRONT WHEEL SUPPORTING RING	F18
522	51281-H206-00001X	REAR WHEEL AXLE	F18
523	51201-H259-01001X	REAR WHEEL BUSH LEF	F18
524	B061870212000061X	LOCK NUT M12X1.25	F18
525	55009-H206-00001X	ADJUSTING NUT INNER BUSH BUMPER	F18
526	41009-503-0033	TYRE -ASSY-REAR	F18
527	55001-H206-C00066	BUFFER SINGLE	F19
528	55002-H206-000001	SPROCKET WHEEL 36T	F19
529	B061700008000061C	NUT M8	F19
530	B057820008003671C	BOLT M8X36	F19
531	55007-H206-000001	LOCK PLATE	F19
532	55005-0000-1500	OIL SEAL 26X40X6.5/11 BUFFER	F19
533	92102-0006203-2RS	BEARING 6203-2RS	F19
534	55000-H199-C20001	BUFFER ASSY 36T	F19
535	41100-H418-040004	SEATS FOR DOUBLE MEN	F20
536	41490-H418-000001	LOCK SEAT	F20
537	B057830005001270B	BOLT M5X12	F20
538	07002-H418-C20002	VEHICLE LOCK	F20
539	B008190106001021X	SCREW M6X10	F20
540	31250-I357-0000	HOOP TOOL BOX	F20
541	61140-G129-00000C	CAP FUEL TANK	F20
542	63501-H418-020007	SHELL, HEADLIGHT (BLACK)	F21
543	63501-H418-020006	SHELL, HEADLIGHT (BLUE)	F21
544	63501-H418-020005	SHELL, HEADLIGHT (YELLOW)	F21
545	86100-H670-C200	HEADLIGHT	F21
546	93319-0030-024U1X	CLIP 12X24 (R3)	F21
547	8610Z-H670-000001	HEADLIGHT SHADE & REFLECTOR	F21
548	B166741104001270C	BOLT M4X12	F21
549	86160-0000-C490	BULB FRONT LAMP (12V35/35W)	F21
550	86112-0000-0000	BULB POSITION LAMP	F21
551	86111-H670-0000	WIRE FRONT LAMP	F21
552	91205-1042-017T1X	SELF TAPPING CLIP ST4.	F21
553	63505-H418-020001	SHELL, INSTRUMENT	F22
554	87100-H418-C10005	METER ASSY	F22
555	9A133-1042-016X1X	SELF TAPPING SCREW ST4.2X16	F22
556	9A133-1042-013X1X	SELF TAPPING SCREW DIA.9/ST4.2X13	F22
557	72210-H206-020001	LIGHT SHIFT SWITCH	F22
558	72220-H206-020001	SWITCH TURNING LAMP	F22
559	72230-H206-030001	SWITCH HORN	F22
560	72240-H418-000001	SWITCH ILLUMINATOR	F22

PART-NO AND DESCRIPTION (FRAME)

NO	PART-NO	DESCRIPTION	GRID NO
561	72270-H206-030001	ELECTRIC STARTING SWITCH	F22
562	6222B-0000-1200	H SHAPE RUBBER WASHER 8.5X12X17-2.5+3+2.5	F22
563	91302-0060-18071X	FLANGED WASHER 6X18-7	F22
564	9A131-1050-01671X	SCREW 11/M5X16	F22
565	87123-0000-0300	BULB METER 12V/1.7W	F22
566	87123-0000-0400	BULB METER 12V3W	F22
567	72900AZZ03501401C	CABLE SEAT LOCK	F23
568	72700CZZ06206101C	CABLE CHOKE	F23
569	72400DWZ09706451C	CABLE THROTTLE	F23
570	87300AZZ02009601CQ	CABLE ODOMETER	F23
571	72500AZZ07210801C	CABLE FRONT BRAKE	F23
572	62307-H418-020205	DECO PARTS FRONT WIND COVER (BLACK)	F24
573	62307-H418-0200KR	DECO PARTS FRONT WIND COVER (BLUE)	F24
574	62307-H418-020204	DECO PARTS FRONT WIND COVER (YELLOW)	F24
575	62301-H418-000386	FRONT WIND COVER (BLACK)	F24
576	62301-H418-000385	FRONT WIND COVER (BLUE)	F24
577	62301-H418-000384	FRONT WIND COVER (YELLOW)	F24
578	86400-H418-0000	RIGHT TURNING LAMP FRONT	F24
579	86300-H418-0000	LEFT TURNING LAMP FRONT	F24
580	91205-1042-017T1X	SELF TAPPING CLIP ST4.2X17	F24
581	9A133-1042-010X0X	SCREW ST4.2X10	F24
582	9A133-1042-013X1X	SCREW DIA.9/ST4.2X13	F24
583	6222B-0000-1200	RUBBER WASHER	F24
584	91302-0060-18071X	FLANGED WASHER DIA.6X18-7	F24
585	9A113-1060-01671X	SCREW M6X16	F24
586	86340-0000-0300	BULB TURNING LAMP 12V10W	F24
587	86450-H418-000001	CABLE ASSY FRONT RIGHT TURNING LAMP	F24
588	86350-H418-000001	CABLE ASSY FRONT LEFT TURNING LAMP	F24
589	62402-H418-000513	EXTERNAL BOARD LH WIND BOARD (BLACK)	F25
590	62402-H418-000512	EXTERNAL BOARD LH WIND BOARD (BLUE)	F25
591	62402-H418-000511	EXTERNAL BOARD LH WIND BOARD (YELLOW)	F25
592	62203-H418-0000	DEC. BLOCK CENTRALPROTECTING BOARD	F25
593	62209-H418-0000	PROTECTING BOARD CENTRAL FRONT	F25
594	62403-H418-000513	EXTERNAL BOARD RH WIND BOARD (BACK)	F25
595	62403-H418-000512	EXTERNAL BOARD RH WIND BOARD (BLUE)	F25
596	62403-H418-000511	EXTERNAL BOARD RH WIND BOARD (YELLOW)	F25
597	91205-1042-017T1X	CLIP SELF TAPPING ST4.2X17	F25
598	9A133-1042-013X1X	SCREW DIA.9/ST4.2X13	F25
599	9A133-1042-016X1X	SCREW ST4.2X16	F25
600	91302-0060-18071X	FLANGED WASHER DIA.6X18-7	F25

NO	PART-NO	DESCRIPTION	GRID NO
601	9A113-1060-02571X	SCREW M6X25	F25
602	B0009601060000K1X	WASHER 6	F25
603	9A113-1060-02071X	SCREW M6X20	F25
604	9A113-1060-01671X	SCREW M6X16	F25
605	62218-H418-000087	PROTECTING BOARD CENTRAL REAR	F26
606	9A113-1060-01671X	SCREW M6X16	F26
607	B0009601060000K1X	WASHER 6	F26
608	91206-1060-02001X	CLIP M6X20	F26
609	9A113-1060-01671X	SCREW M6X16	F26
610	63341-H418-000403	CAP VEHICLE LH PART (BLACK)	F27
611	63341-H418-000402	CAP VEHICLE LH PART (BLUE)	F27
612	63341-H418-000401	CAP VEHICLE LH PART (YELLOW)	F27
613	63352-H418-000403	CAP VEHICLE RH PART (BLACK)	F27
614	63352-H418-000402	CAP VEHICLE RH PART (BLUE)	F27
615	63352-H418-000401	CAP VEHICLE RH PART (YELLOW)	F27
616	B0009601060000K1X	WASHER 6	F27
617	9A113-1060-01671X	SCREW M6X16	F27
618	9A133-1042-010X0X	SCREW ST4.2X10	F27
619	63301-H418-000506	LEFT SIDE CAP (BLACK)	F27
620	63301-H418-000505	LEFT SIDE CAP (BLUE)	F27
621	63301-H418-000504	LEFT SIDE CAP (YELLOW)	F27
622	6334A-H418-0000	DECORATION BLOCK LH VEHICLE CAP	F27
623	6335A-H418-0000	DECORATION BLOCK RH VEHICLE CAP	F27
624	63332-H418-000506	RIGHT SIDE CAP (BLACK)	F27
625	63332-H418-000505	RIGHT SIDE CAP (BLUE)	F27
626	63332-H418-000504	RIGHT SIDE CAP (YELLOW)	F27
627	91205-1042-017T1X	CLIP ST4.2X7	F27
628	63602-H418-000071	TAIL CAP	F27
629	9A133-1042-013X1X	SCREW ST4.2X13	F27
630	6222B-0000-2200	RUBBER WASHER 13X17X26-3+4+3	F27
631	63401-H418-010001	LEFT WIND BOARD (BLACK)	F28
632	63401-H418-010002	LEFT WIND BOARD (BLUE)	F28
633	63401-H418-010003	LEFT WIND BOARD (YELLOW)	F28
634	63406-H418-010001	RIGHT WIND BOARD (BLACK)	F28
635	63406-H418-010002	RIGHT WIND BOARD (BLUE)	F28
636	63406-H418-010003	RIGHT WIND BOARD (YELLOW)	F28
637	9A133-1042-040X1X	SCREW ST4.2X40	F28
638	9A133-1042-013X1X	SCREW ST4.2X13	F28
639	63424-H418-010001	BRACKET WIND BOARD	F28
640	91218-1060-022TOU	CLIP M6X22.3X15	F28

PART-NO AND DESCRIPTION (FRAME)

NO	PART-NO	DESCRIPTION	GRID NO
641	9A113-1060-02071X	SCREW M6X20	F28
642	91205-1042-017T1X	CLIP ST4.2X17X11	F28
643	63412-H418-0000	DECORATION PARTS LH WIND BOARD	F28
644	63413-H418-0000	DECORATION PARTS RH WIND BOARD	F28
645	9A113-1060-04070H	SCREW M6X40	F28
646	B0009601060000K1X	WASHER 6	F28
647	9A113-1060-02071X	SCREW M6X20	F28
648	B057890006001671X	BOLT M6X16	F28
649	91206-1060-02001X	CLIP M6X20	F28
650	6312F-H418-000012	EXTERNAL BOARD, LH WIND BOARD (BLACK)	F28
651	6312F-H418-000010	EXTERNAL BOARD, LH WIND BOARD (BLUE)	F28
652	6312F-H418-000011	EXTERNAL BOARD, LH WIND BOARD (YELLOW)	F28
653	6312E-H418-000012	EXTERNAL BOARD, RH WIND BOARD (BLACK)	F28
654	6312E-H418-000010	EXTERNAL BOARD, RH WIND BOARD (BLUE)	F28
655	6312E-H418-000011	EXTERNAL BOARD, RH WIND BOARD (YELLOW)	F28
656	63104-H670-000097	FRONT FENDER (BLACK)	F29
657	63104-H670-000096	FRONT FENDER (BLUE)	F29
658	63104-H670-000095	FRONT FENDER (YELLOW)	F29
659	91112-1060-01771X	BOLT M6X17	F29
660	91205-1042-017T1X	CLIP SELF TAPPING ST4.2-17X11	F29
661	9A133-1042-013X1X	SELF TAPPING SCREW DIA.ST4.2X13	F29
662	63127-H670-000076	LEFT DECO CAP FRONT FENDER (BLACK)	F29
663	63127-H670-0000KR	LEFT DECO CAP FRONT FENDER (BLUE)	F29
664	63127-H670-0000ML	LEFT DECO CAP FRONT FENDER (YELLOW)	F29
665	63126-H670-000076	RIGHT DECO CAP FRONT FENDER (BLACK)	F29
666	63126-H670-0000KR	RIGHT DECO CAP FRONT FENDER (BLUE)	F29
667	63126-H670-0000ML	RIGHT DECO CAP FRONT FENDER (YELLOW)	F29
668	85850-M154-000001	SIDE REFLECTOR	F29
669	63111-H418-0000	WIRE PROTECTING RING	F29
670	B061770106000061X	NUT M6	F29
671	16100-H337-040001	AIR CLEANER	F30
672	B057890006001271X	BOLT M6X12	F30
673	B0009601060000K1X	WASHER 6	F30
674	16123-I126-00000C	JOINT CLIP AIR CLEANER	F30
675	16114-G124-0400	FILTER NET AIR CLEANER	F30
676	16101-G124-0400	CORE AIR CLEANER	F30
677	40181-519-0144ZLB	PATTERN-SET COLOUR BLACK	D01
678	40181-519-0144ZBB	PATTERN-SET COLOUR BLUE	D01
679	40181-519-0144Zyb	PATTERN-SET COLOUR YELLOW	D01
680			

NO	PART-NO	DESCRIPTION	GRID NO
681			
682			
683			
684			
685			
686			
687			
688			
689			
690			
691			
692			
693			
694			
695			
696			
697			
698			
699			
700			
701			
702			
703			
704			
705			
706			
707			
708			
709			
710			
711			
712			
713			
714			
715			
716			
717			
718			
719			
720			



Motosikal dan Enjin Nasional Sdn Bhd
Kawasan Gurun Perusahaan Gurun, 08300 Gurun, Kedah Darul Aman, Malaysia
Tel : 604-466 8000 Fax : 604-466 8300

Pusat Panggilan Pelanggan **1 800 880 181** www.modenas.com.my

Edaran MODENAS Sales & Marketing Office

EON Head Office Complex, No. 2 Level 2 Persiaran Kerjaya, Taman Perindustrian Glenmerie ,
Section U1 40150, Shah Alam, Selangor Darul Ehsan
Tel : 03-7880 2775 Fax : 03-7880 2290

MODENAS Service Centres in Malaysia

● Kedah	Kawasan Perindustrian Gurun, 08300 Kedah.	Tel : 04-466 8236 : 04-466 8238	Fax: 04-466 8109
● Perak	No. 123, Jalan Raja Musa Aziz, 30300 Ipoh, Perak	Tel : 05-249 8961 : 04-466 8117	Fax: 05-249 8965
● Selangor	No. 62 & 64 Jalan Pluto AY, U5/AY, Seksyen U5 40150 Shah Alam, Selangor.	Tel : 04-466 8160	Fax: 03-784 50972
● Pahang	No. A 149, Lorong Seri Teruntum 8, Jalan Dato Wong Ah Jang, Taman Tunas Maju, 25200 Kuantan, Pahang.	Tel : 09-512 3380 : 04-466 8199	Fax: 09-512 3383
● Johor	No. 1, Jalan Kempas 2, Taman Tanah Tampoi 81200 Johor Bahru, Johor.	Tel : 07-236 1695 : 04-466 8148	Fax: 07-235 2693

A Member Of :

DRB-HICOM

[JILID-1-07/2019]
99924-L063-00

Distributor :

EMOS
EDARAN MODENAS SDN. BHD.