



PARTS CATALOGUE

KRISGO



A Member of



INTRODUCTION

1

PICTORIAL INDEX

2

ENGINE GROUP

3

FRAME GROUP

4

DECALS GROUP

5

PART NO. GROUP

6



INTRODUCTION 1

CONTENTS

1 INTRODUCTION

- INTRODUCTION TO PARTS CATALOGUE
- COLOR CHART

2 PICTORIAL INDEX

ENGINE INDEX

- E01 ~ E06
- E07 ~ E12
- E13 ~ E18
- E19 ~ E24

FRAME INDEX

- F01 ~ F06
- F07 ~ F12
- F13 ~ F18
- F19 ~ F24
- F25 ~ F30

3 ENGINE GROUP

4 FRAME GROUP

5 DECALS GROUP

- D01 ~ D06

6 PART NUMBER INDEX (ENGINE)

1M01C0838 ~ 100103604

100103646 ~ 100201840

100201899 ~ 100033087-0006

100033099-0006 ~ B166740106002571X

PART NUMBER INDEX (FRAME)

07002-H418-C20004 ~ 53002-H418-0000

53012-H418-0000 ~ 63406-H418-010013

63412-H418-0000 ~ 91205-1042-017T1X

91218-1060-022T0U ~ B057830005001270B

B057830006002071X ~ B166740108002571X

INTRODUCTION TO PARTS CATALOGUE

This parts catalogue is meant for type of model:

1. MJ110H-A1MY

This part catalogue is based on the latest specification on 13 September 2019 from ZS. Please refer to the nearest service centre to obtain the latest information on the part catalogue.

1. How to order parts.

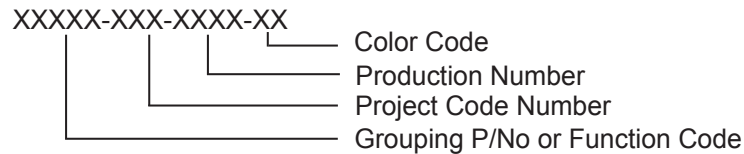
In ordering spare parts for the replacement market, it is compulsory to include the following items:

Part Number, Description and Color Code.

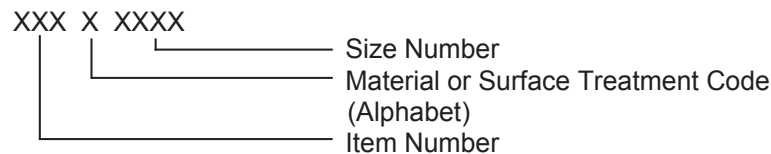
2. Explanation of Parts Catalogue

A. Part Number Structure

(i) Part number



(ii) Standard hardware number



B. Quantity

Indicates the volume quantity needed as specified in the column stated under "Quantity".

Note: Final quantity shall be specified in the quantity column and not always as depicted in diagram.

3. List of Abbreviations

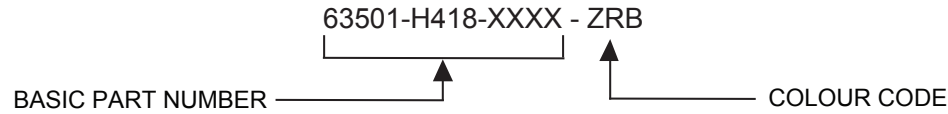
Describes the abbreviations used in this parts catalog.

(+)	Plus	MM	Millimeter
(-)	Minus	MPH	Miles Per Hour
&	And	NA	Not Available
2 nd	Second	O/S	Over Size
3 rd	Third	OD	Outside Diameter
4 th	Fourth	PR	Ply Rating
AR	As Required	REF	Reference
ASSY	Assembly	RH	Right Hand
CA	Cut Away	RPM	Revolutions Per Minute
CNT	Center	RR	Rear
COMP	Complete	STD	Standard
D	Degree	T	Teeth
FR	Front	T=	Thickness
G	Gram	U/S	Under Size
HEX	Hexagonal	UPP	Upper
ID=	Inside Diameter	V	Volt
KPH	Kilometers Per Hour	W	Watt
L	Link	W/	With
L=	Length	WD	With Decal
L/	Less	WOD	Without Decal
LH	Left Hand		

ALWAYS USE MODENAS GENUINE PARTS

COLOUR CHART 1

1. When ordering a coloured part/s, refer to the chart below and add the colour code at the end of the basic part number.



A) BODY COLOUR CODE (PAINT COLOUR CODE)

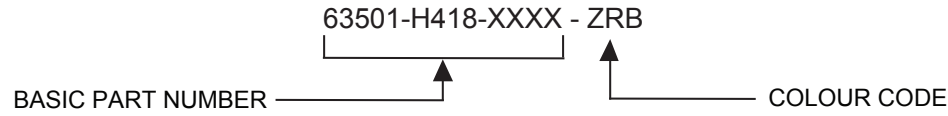
NO	COLOUR NAME	CODE FOR PART	COLOUR LOCATION		CODE FOR PRODUCT
			COLOUR 1	COLOUR 2	
1	PASSIONATE RED	1530	1530	6514	ZRB
2	VIGOROUS BLUE	4076	4076	6514	ZBB
3	GLORIOUS BLACK	6514	6514	6514	ZLB

B) COLOUR CODE FOR ABS PARTS (PAINT CODE)

NO	PART NAME	PART NO.	COLOUR CODE		
			ZRB	ZBB	ZLB
1	SHELL-HEADLIGHT	63501-H0E5	000078	000079	000080
2	DECO-PARTS-FRONT-WIND-COVER	62307-H418	020205	020205	020205
3	FRONT-WIND-COVER	62301-H418	000391	000392	000393
4	EXTERNAL-BOARD-WIND-BOARD-LH	62402-H418	000521	000522	0000523
5	EXTERNAL-BOARD-WIND-BOARD-RH	62403-H418	↑	↑	↑
6	WIND-BOARD-LH	63401-H418	010011	010012	010013
7	WIND-BOARD-RH	63406-H418	↑	↑	↑
8	COVER-OUTSIDE-LH	6312F-H418	000017	000018	000019
9	COVER-OUTSIDE-RH	6312E-H418	↑	↑	↑
10	PROTECTING-BOARD-CENTRAL-REAR	62218-H418	000087	000087	000087
11	CAP-VEHICLE-PART-LH	63341-H418	000410	000411	000412
12	CAP-VEHICLE-PART-RH	63352-H418	↑	↑	↑
13	SIDE-CAP-LH	63301-H418	000513	000514	000515
14	SIDE-CAP-RH	63332-H418	↑	↑	↑
15	TAIL-CAP	63602-H418	000074	000074	000074
16	FRONT-FENDER	63104-H670	000099	000096	000097
17	DECO-CAP-FRONT-FENDER-LH	63127-H670	000078	0000KR	000076
18	DECO-CAP-FRONT-FENDER-RH	63126-H670	↑	↑	↑
19	COVER-REAR-EXHAUST-MUFFLER	18040-H0E5	000073	000073	000073

COLOUR CHART 1

- When ordering a coloured part/s, refer to the chart below and add the colour code at the end of the basic part number.



C) PATTERN

NO	PART NAME	PART NO.	COLOUR CODE		
			ZRB	ZBB	ZLB
1	PATT-LABEL-KRISS 110	56062-519-1161	1530	4076	6514
2	PATT-EXTERNAL BOARD-WIND BOARD-LH	56062-519-1163	↑	↑	↑
3	PATT-EXTERNAL BOARD-WIND BOARD-RH	56062-519-1164			
4	PATT-CAP-VEHICLE PART-LOWER-LH	56062-519-1165			
5	PATT-CAP-VEHICLE PART-LOWER-RH	56062-519-1166			
6	PATT-CAP-VEHICLE PART-UPPER-LH	56062-519-1167			
7	PATT-CAP-VEHICLE PART-UPPER-RH	56062-519-1168			
8	PATT-COVER-OUTSIDE-UPPER-LH	56062-519-1169			
9	PATT-COVER-OUTSIDE-UPPER-RH	56062-519-1170			
10	PATT-SIDE CAP-LH	56062-519-1171			
11	PATT-SIDE CAP-RH	56062-519-1172			
12	PATT-WIND BOARD-LH	56062-519-1173			

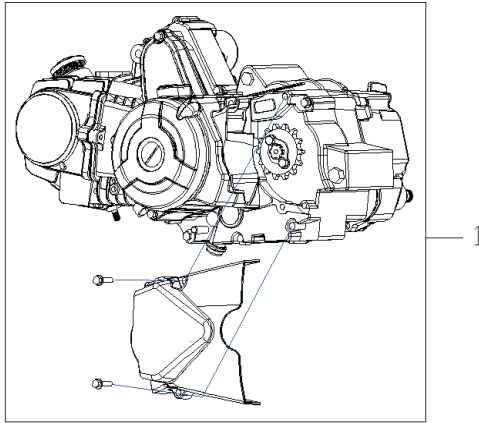


PICTORIAL INDEX 2

PICTORIAL INDEX

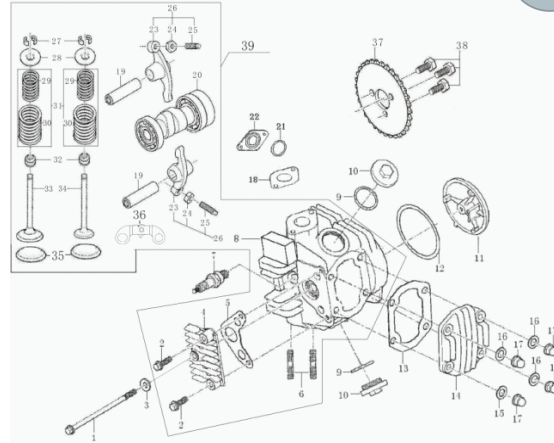
ENGINE

E 1



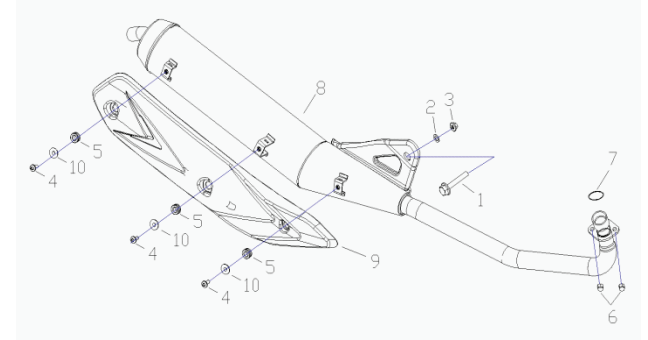
CYLINDER HEAD ASSY

E 2



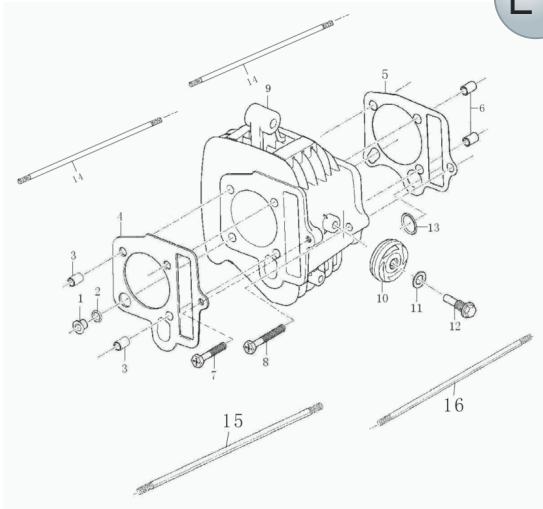
MUFFLER

E 3



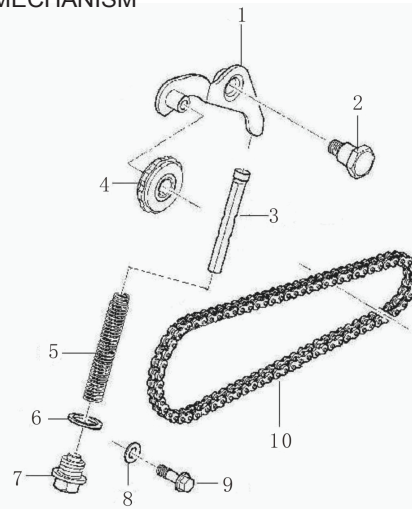
CYLINDER ASSEMBLY

E 4



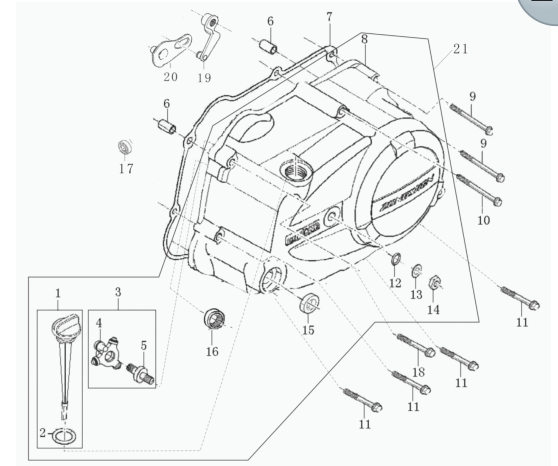
VALVE MECHANISM

E 5

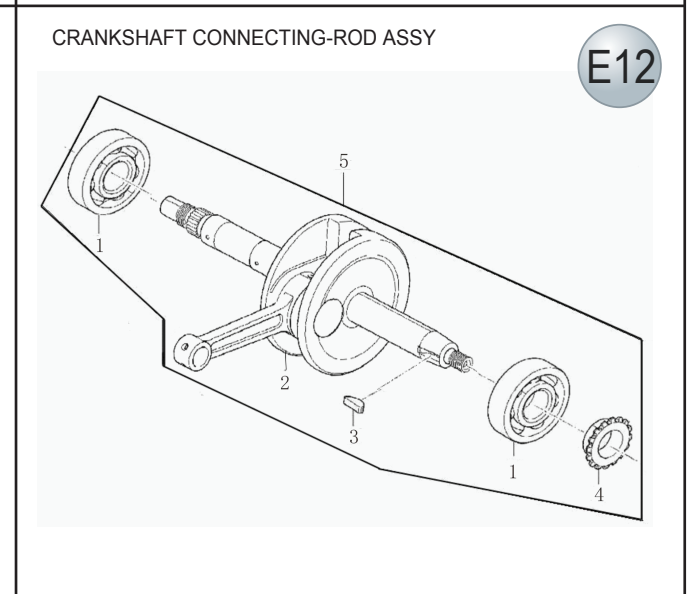
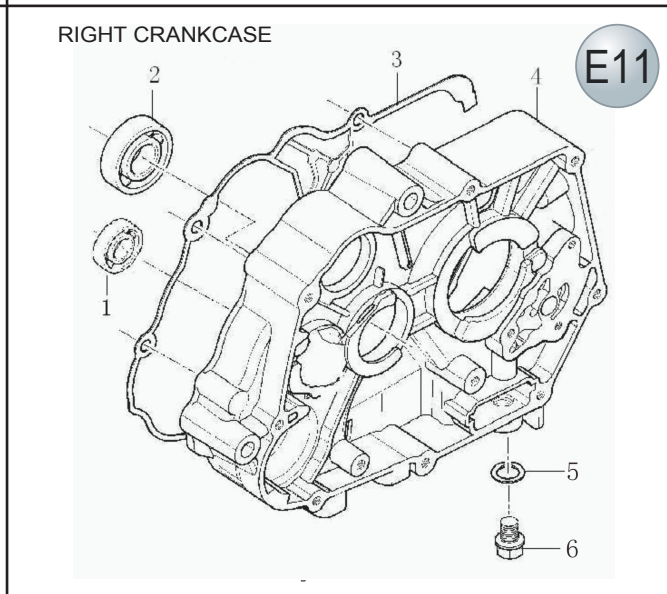
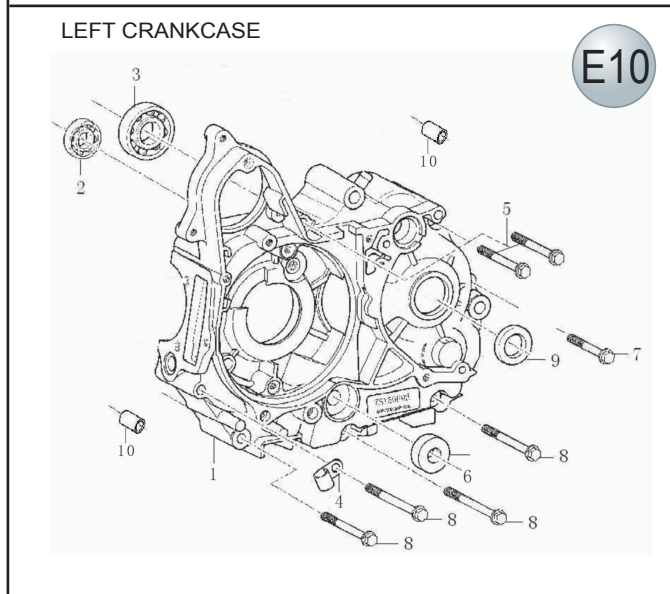
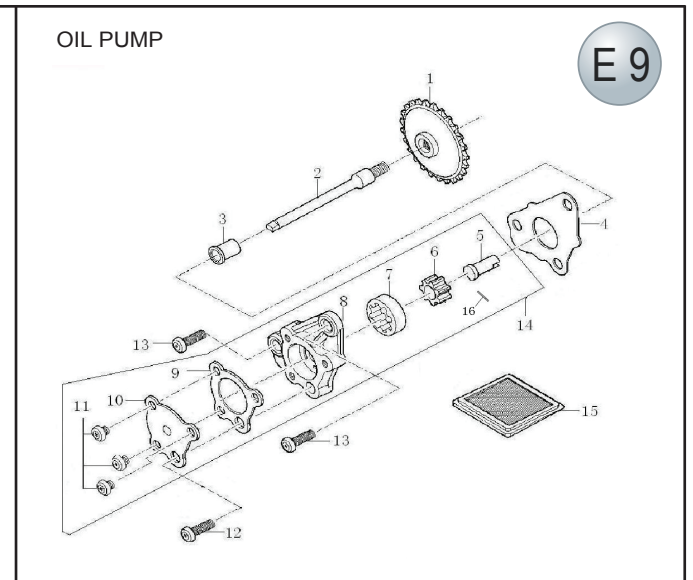
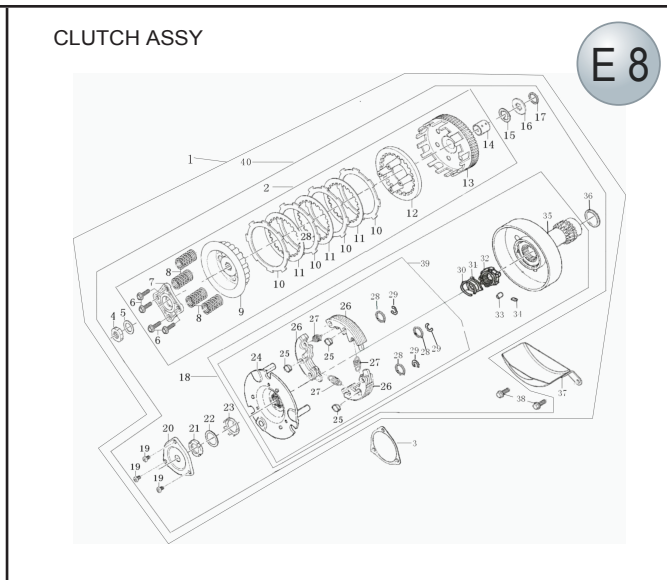
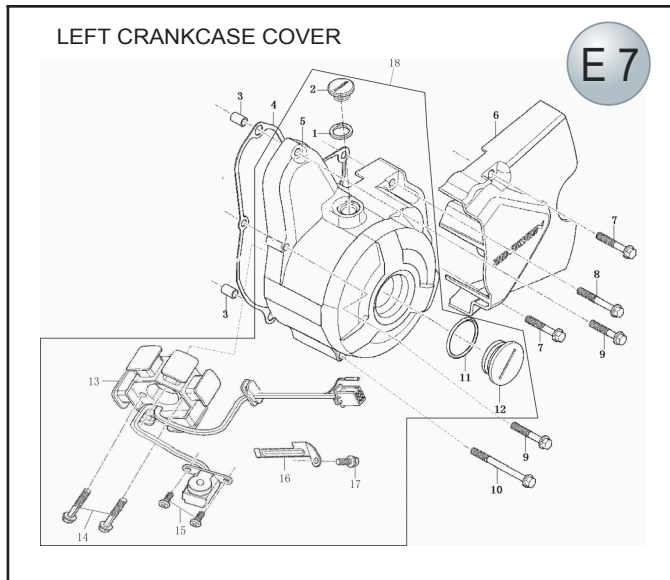


RIGHT CRANKCASE COVER

E 6



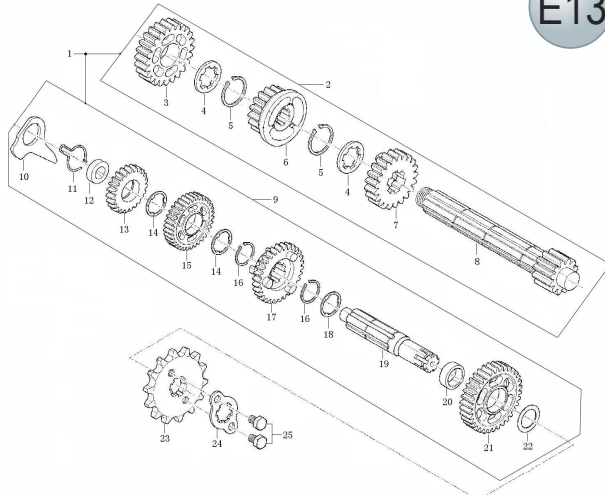
PICTORIAL INDEX



PICTORIAL INDEX

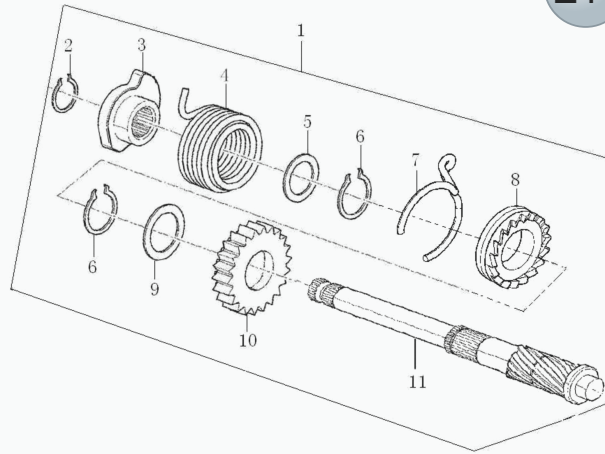
TRANSMISSION MAIN, COUNTER SHAFT

E13



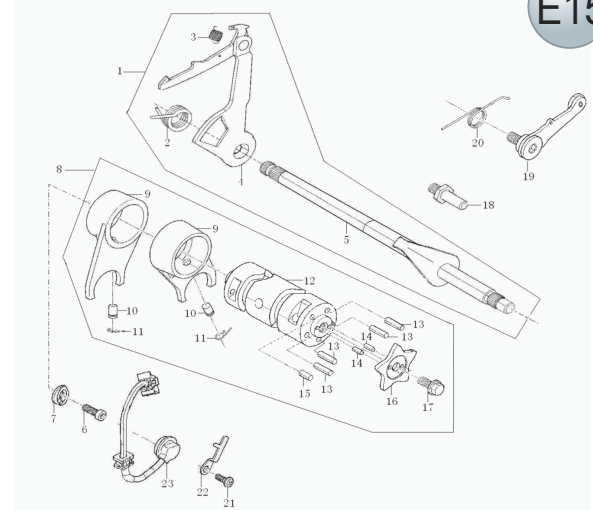
KICK STARTING SHAFT ASSEMBLY

E14



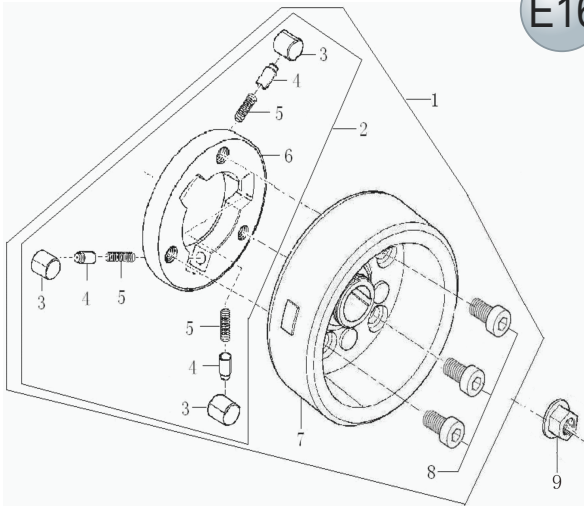
GEARSHIFT MECHANISM

E15



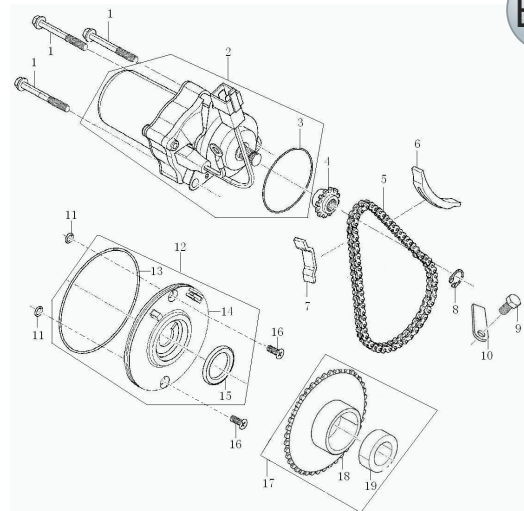
MAGNETO COMP

E16



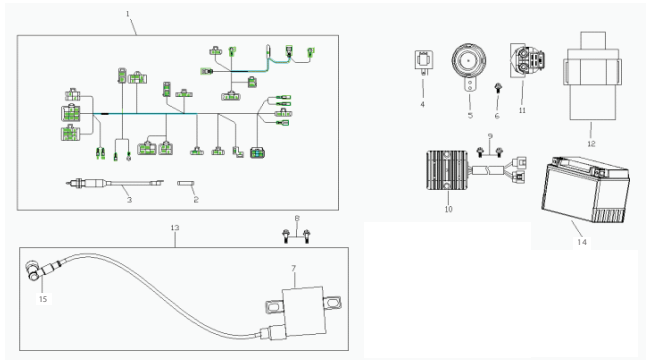
ELECTRIC STARTING MECHANISM

E17

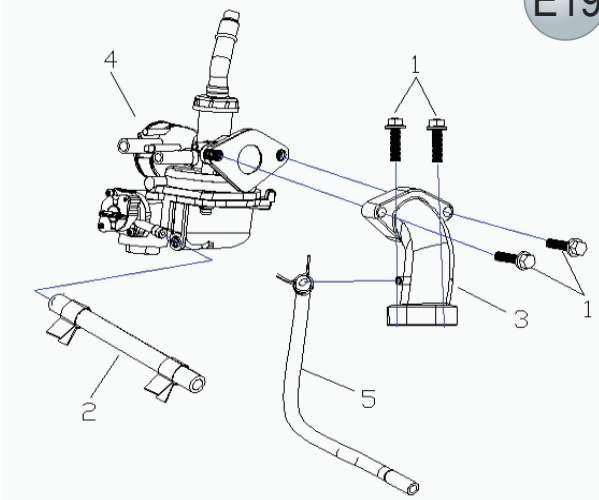
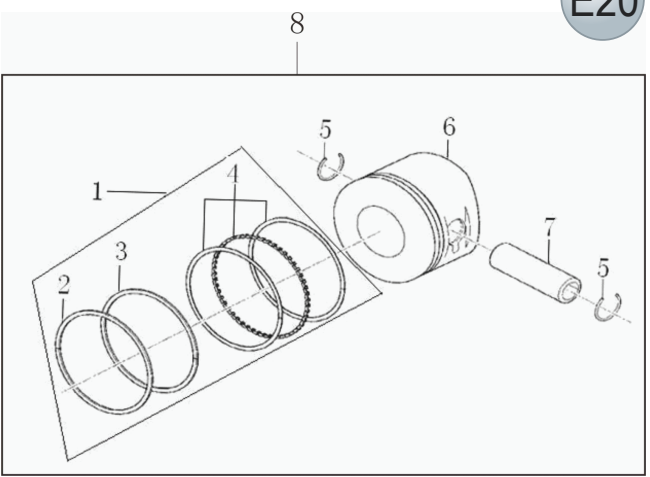
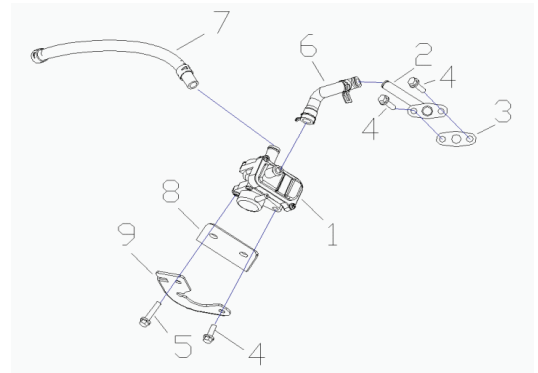


ELECTRICAL PARTS

E18



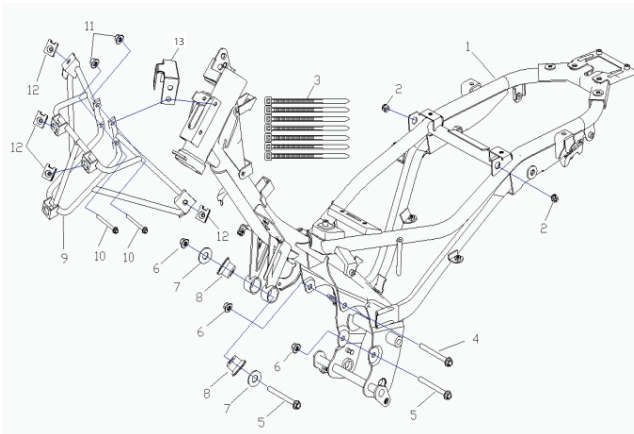
PICTORIAL INDEX

<p>CARBURETOR & INTAKE PIPE E19</p> 	<p>PISTON E20</p> 	<p>AIR PUMP E21</p> 
<p>N/A E22</p>	<p>N/A E23</p>	<p>N/A E24</p>

PICTORIAL INDEX

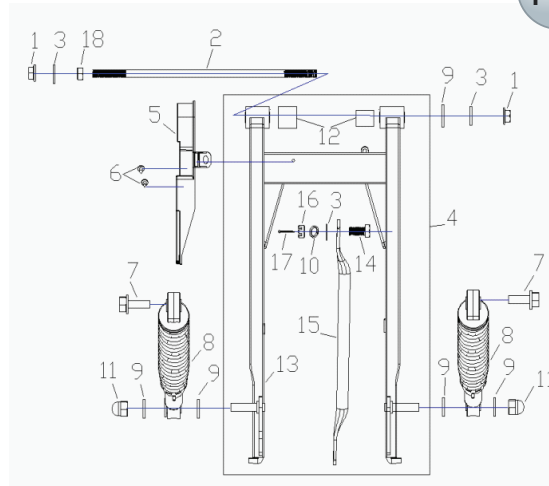
FRAME

F 1



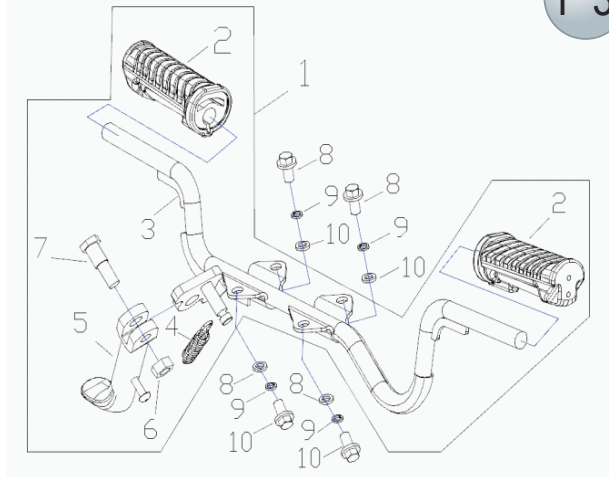
REAR SWING ARM/REAR ABSORBER

F 2



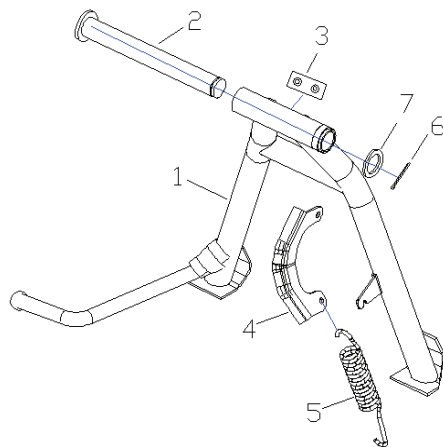
FRONT FOOTPEG

F 3



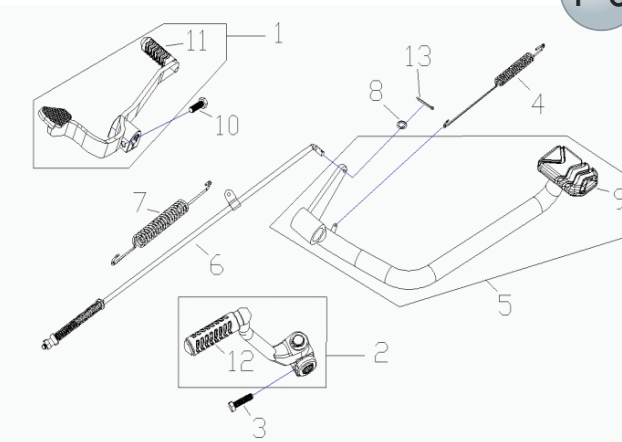
MAIN BRACKET / CENTRE STAND

F 4



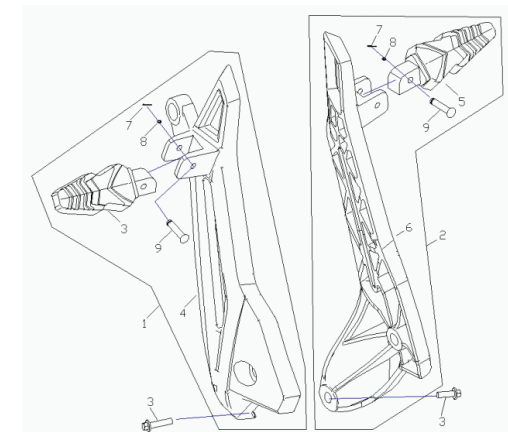
FOOT CONTROL PARTS

F 5



REAR PEDAL

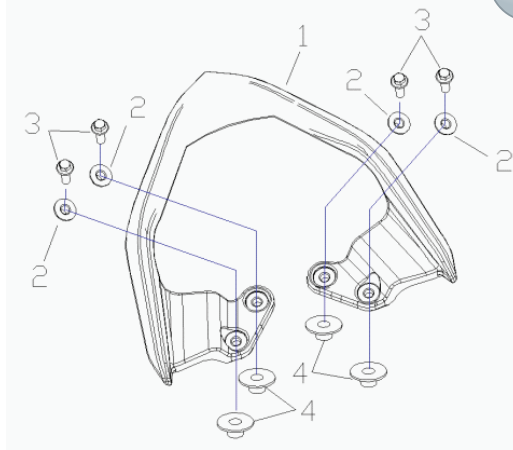
F 6



PICTORIAL INDEX

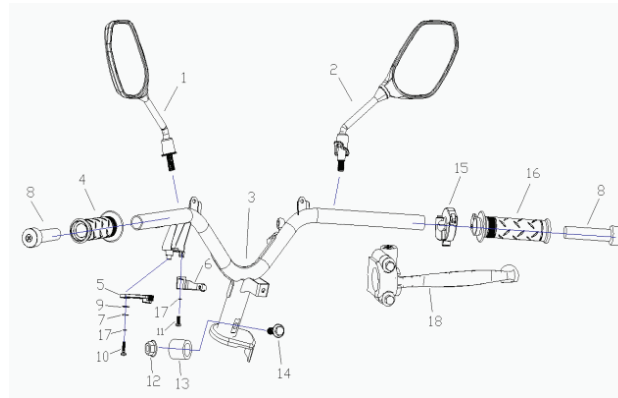
REAR ARMREST

F 7



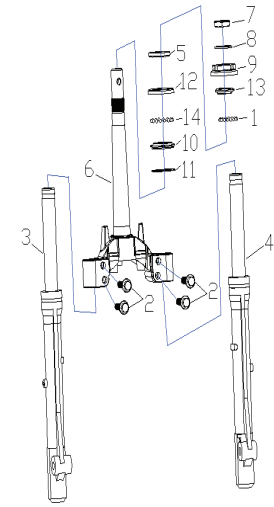
HANDLEBAR & REAR VIEW MIRROR

F 8



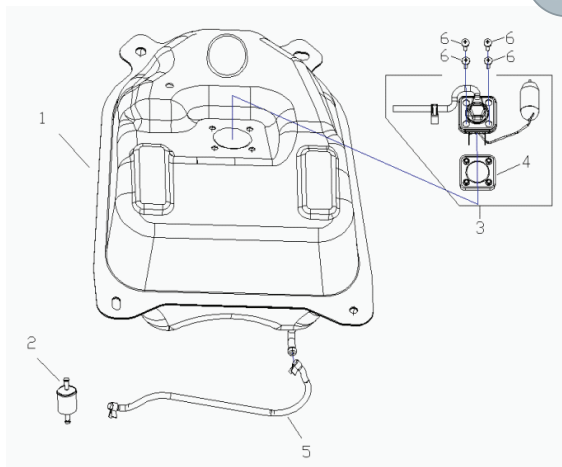
STEERING STEM / FRONT ABSORBER

F 9



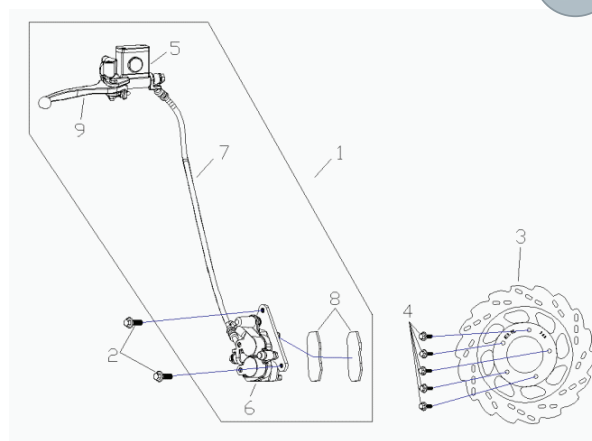
FUEL TANK

F10



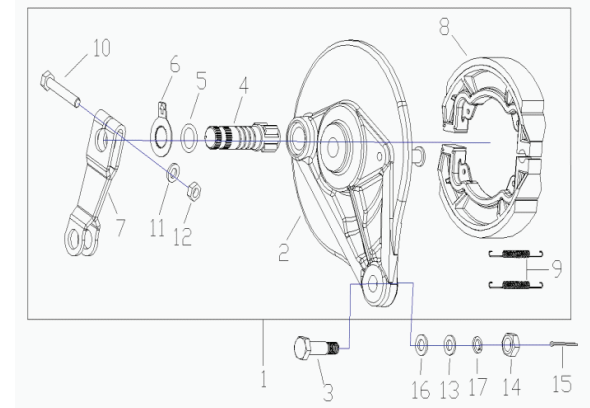
FRONT BRAKE

F11

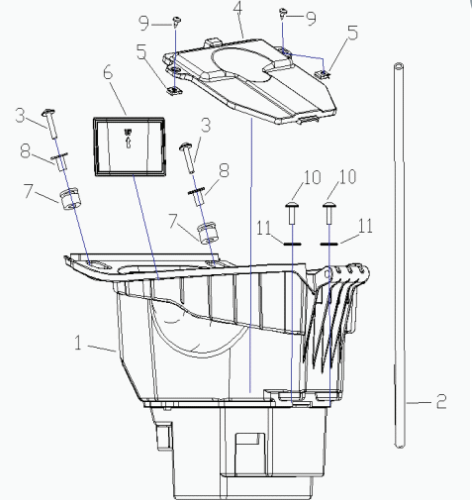
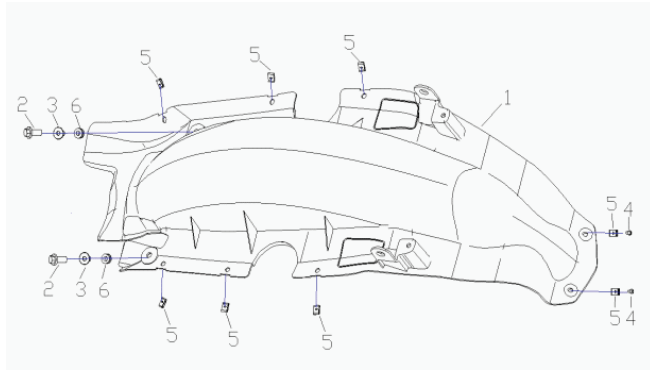
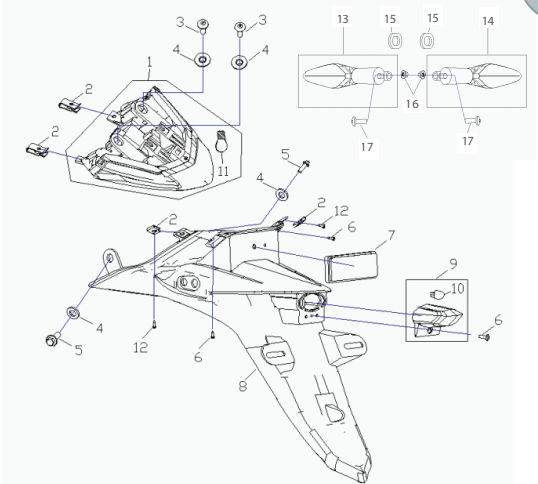
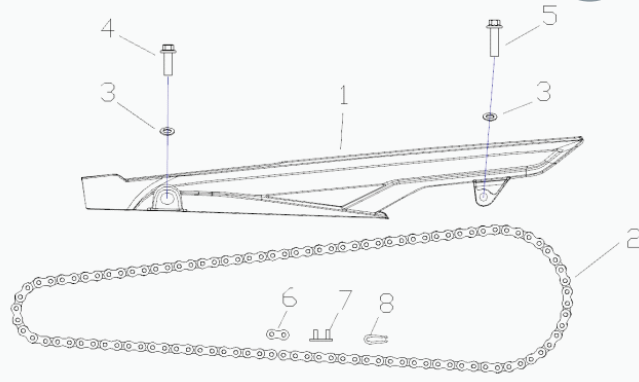
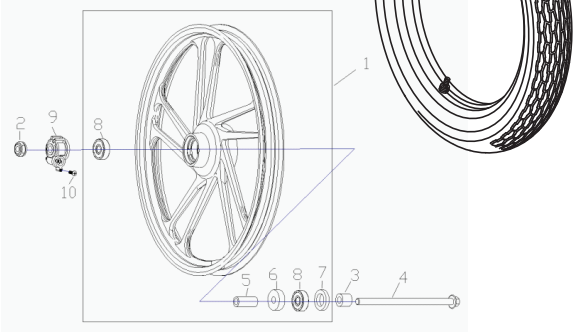
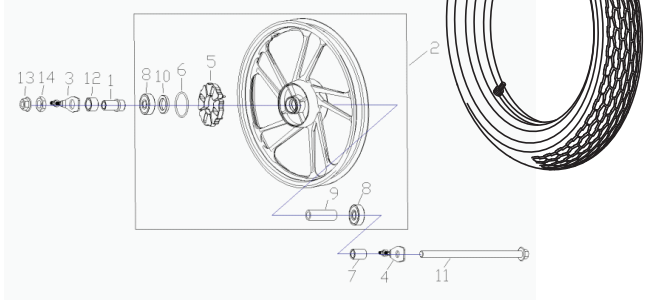


REAR BRAKE

F12



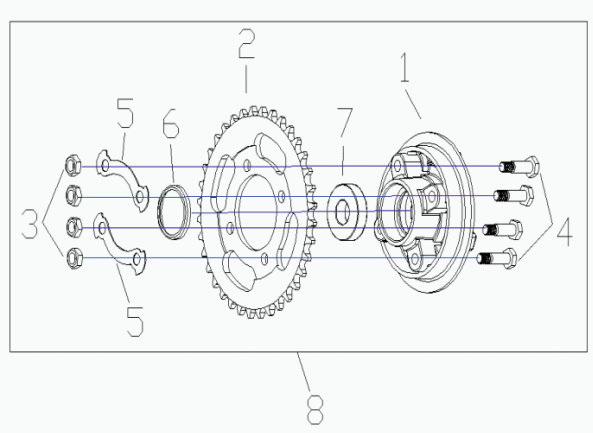
PICTORIAL INDEX

<p>MIDDLE GOODS CASE</p> <p>F13</p> 	<p>FRONT PART, REAR FENDER</p> <p>F14</p> 	<p>REAR PART, REAR FENDER</p> <p>F15</p> 
<p>CHAIN CASE, CHAIN</p> <p>F16</p> 	<p>FRONT ALUMINIUM WHEEL/FRONT-TYRE</p> <p>F17</p> 	<p>REAR ALUMINIUM WHEEL/REAR-TYRE</p> <p>F18</p> 

PICTORIAL INDEX

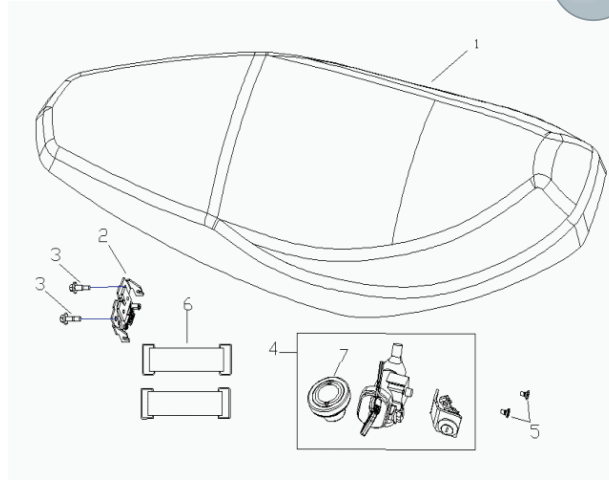
BUFFER ASSEMBLY

F19



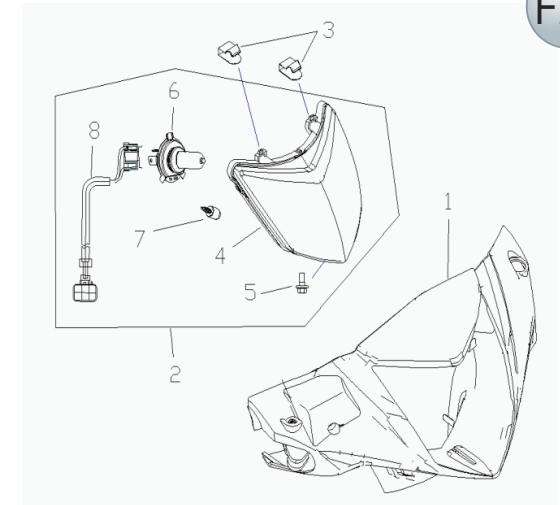
SEAT

F20



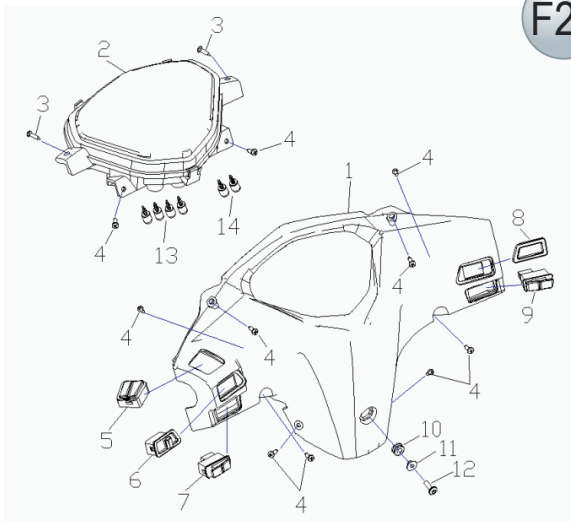
HEADLIGHT / FRONT COVER HANDLE

F21



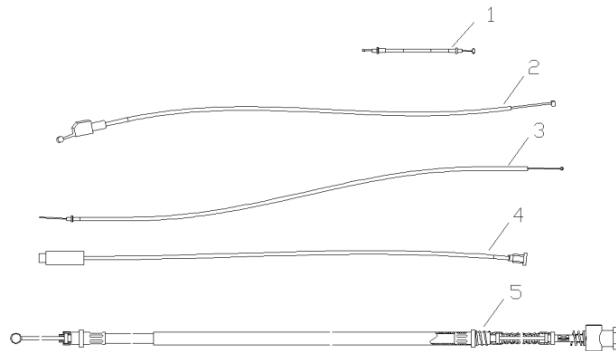
METER / REAR COVER HANDLE

F22



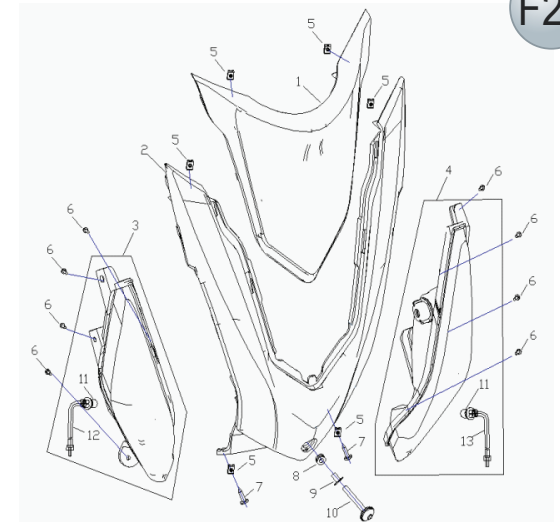
CONTROL CABLE

F23



FRONT WIND COVER FRONT TURNING LIGHT

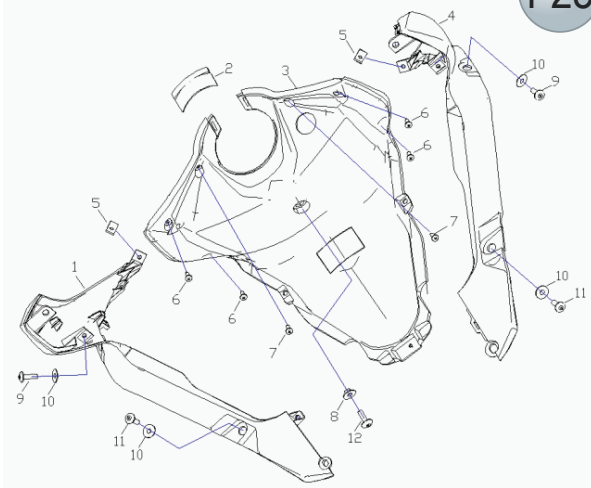
F24



PICTORIAL INDEX

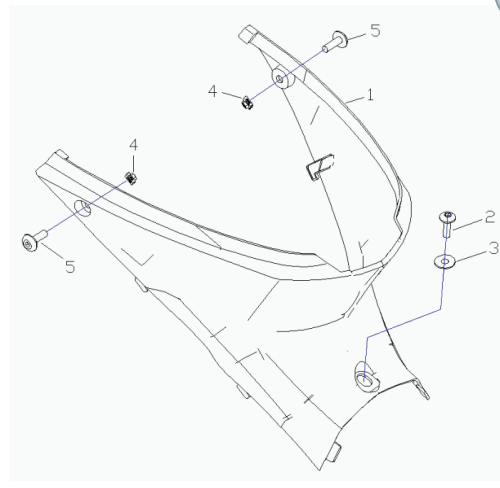
PROTECTING BOARD, CENTRAL FRONT

F25



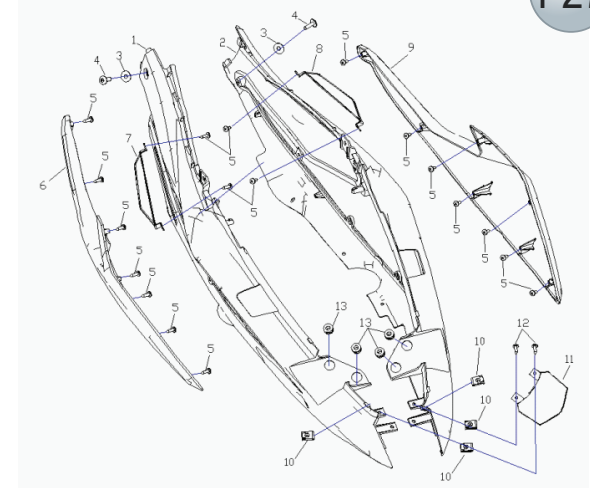
PROTECTING BOARD, CENTRAL REAR

F26



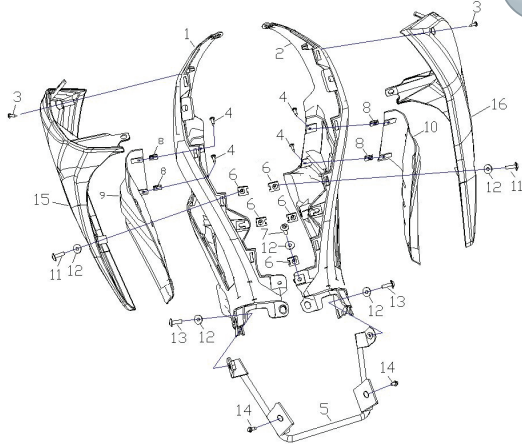
VEHICLE CAP

F27



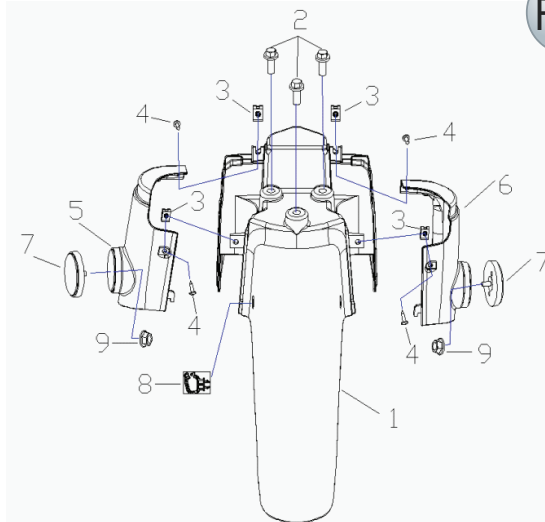
WIND BOARD

F28



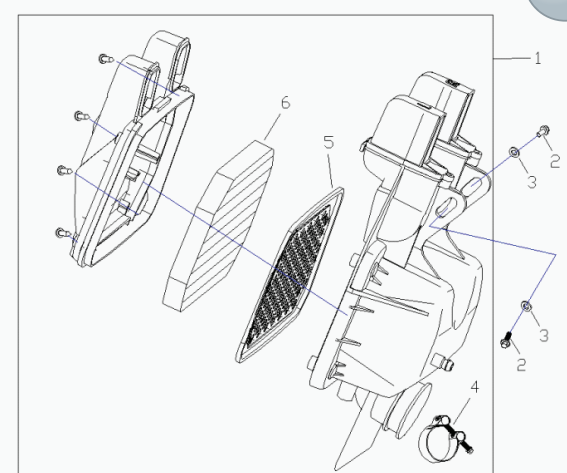
FRONT FENDER

F29

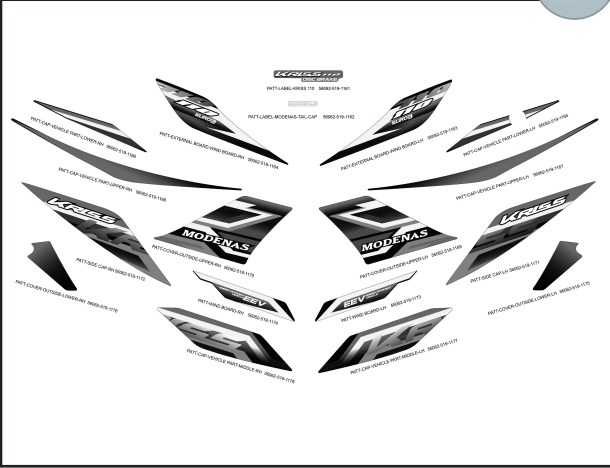


AIR CLEANER

F30

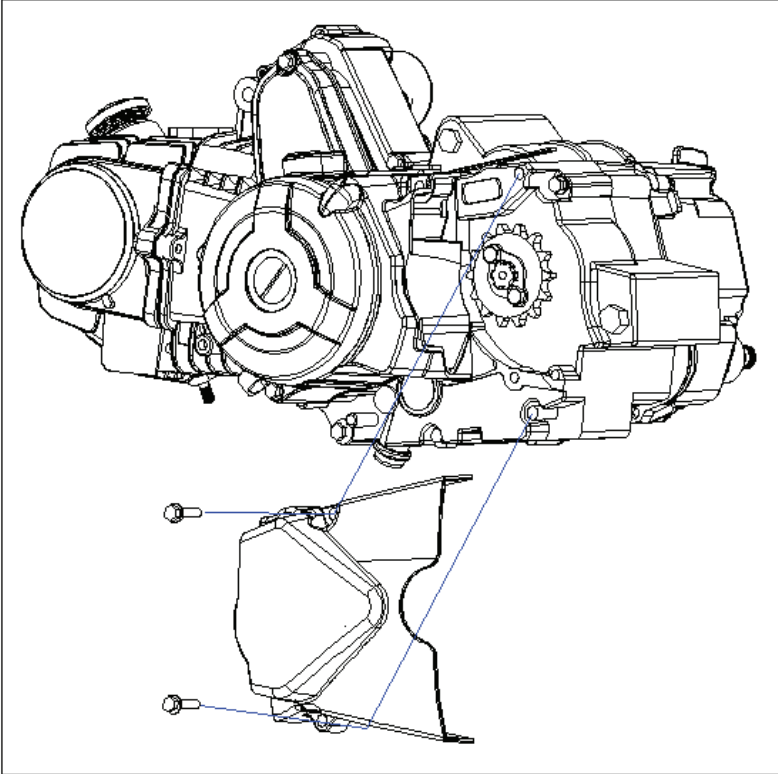


PICTORIAL INDEX

<p>PATTERNS</p> <p>1/2/3</p>  <p>D01</p>	<p>N/A</p> <p>D02</p>	<p>N/A</p> <p>D03</p>
<p>N/A</p> <p>D04</p>	<p>N/A</p> <p>D05</p>	<p>N/A</p> <p>D06</p>

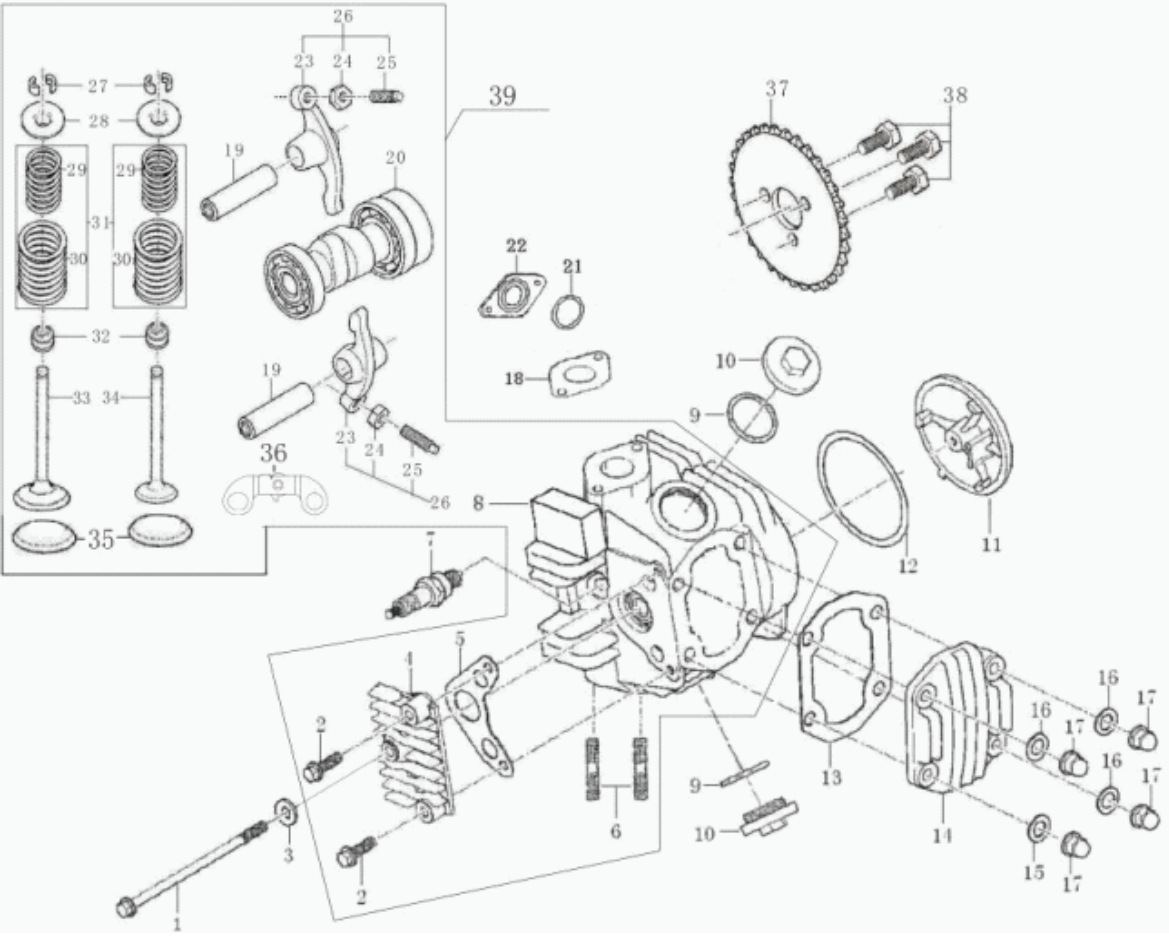


ENGINE



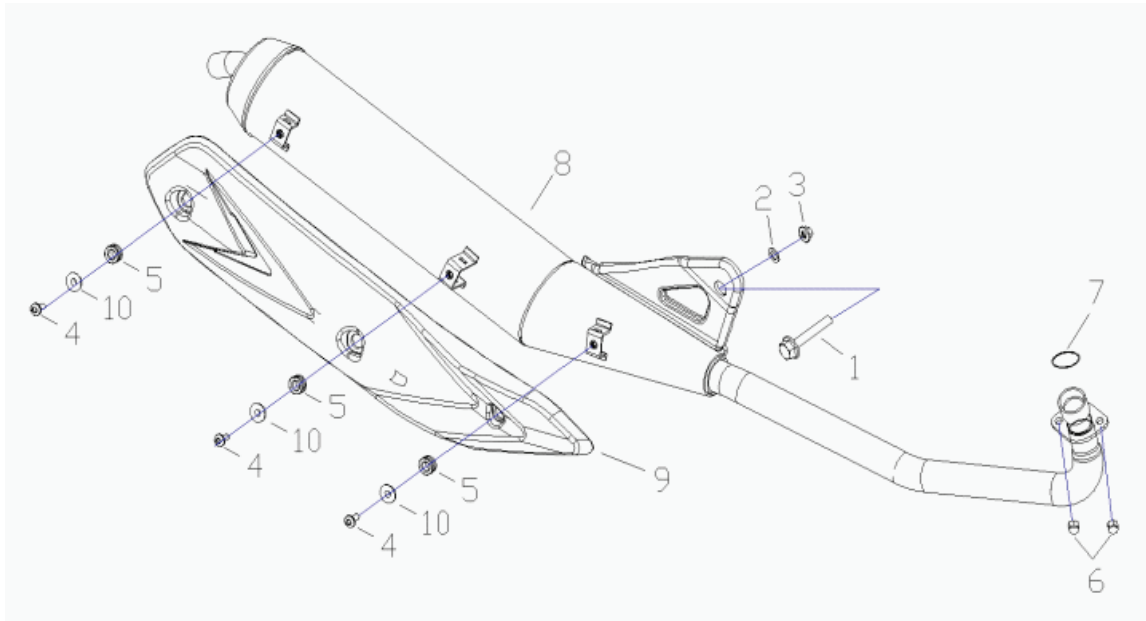
Ref. No.	Part No.	Description	Qty
			H
1	1M01C0838	ENGINE	1

CYLINDER HEAD ASSY



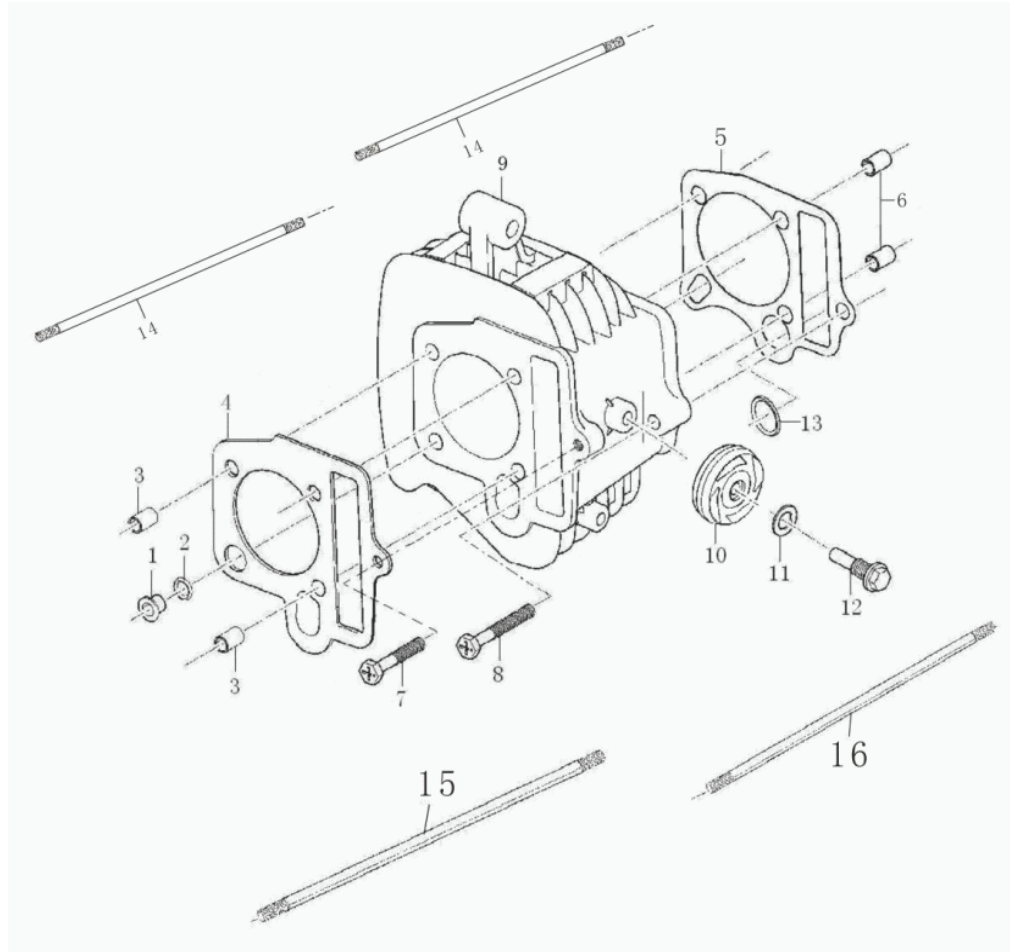
Ref. No.	Part No.	Description	Qty
			H
1	100100492-0007	BOLT M6X110	1
2	100011534-0002	BOLT M6X25	2
3	100106540	WASHER DIA.6.5X1XDIA.12	1
4	100205661-0016	RIGHT COVER CYLINDER HEAD	1
5	100104542	GASKET R.CYLINDER HEAD COVER	1
6	100100438-0002	BOLT M6X32	2
7	100104129	SPARK PLUG	1
8	100132820-0004	CYLINDER HEAD ASSY	1
9	100107741	O-RING DIA.29.6X3.2	2
10	100102869-0045	COVER VALVE CHAMBER	2
11	100205635-0015	LEFT COVER CYLINDER HEAD	1
12	100208488	GASKET L.CYLINDER HEAD COVER	1
13	100104538	GASKET CYLINDER HEAD UPPER COVER	1
14	100205587-0036	UPPER COVER CYLINDER HEAD	1
15	100106565	WASHER DIA.6.2X2XDIA.13	1
16	100106337	WASHER DIA.6.2X2XDIA.13	3
17	100100507-0004	NUT M6	4
18	100105366	GASKET INLET PIPE	1
19	100105148	ROCKER SHAFT	2
20	100200112	CAMSHAFT COMP	1
21	100107727	O-RING DIA.25X2.4	1
22	100104606	GASKET CARBURETOR	1
23	100066182	ROCKER ARM	2
24	100105156	NUT VALVE CLEARANCE	2
25	100105167	SCREW VALVE CLEARANCE	2
26	100200404	ROCKER ARM ASSY VALVE	2
27	100105320	VALVE LOCKER	4
28	100105305	SPRING SEAT	2
29	100200681	VALVE INNER SPRING	2
30	100200667	VALVE OUTER SPRING	2
31	100200724	INNER SPRING ASSY	2
32	100062531	SEAL VALVE STEM	2
33	100200570	INTAKE VALVE	1
34	100200615	EXHAUST VALVE	1
35	100105313	OUTER VALVE SPRING RETAINER	2
36	100205538	LIMIT PLATE REDUCTING VALVE	1
37	100105029	TIMING DRIVEN SPROCKET	1
38	100100487	BOLT M5X12	3
39	100152951-0002	CYLINDER HEAD ASSY	1

MUFFLER



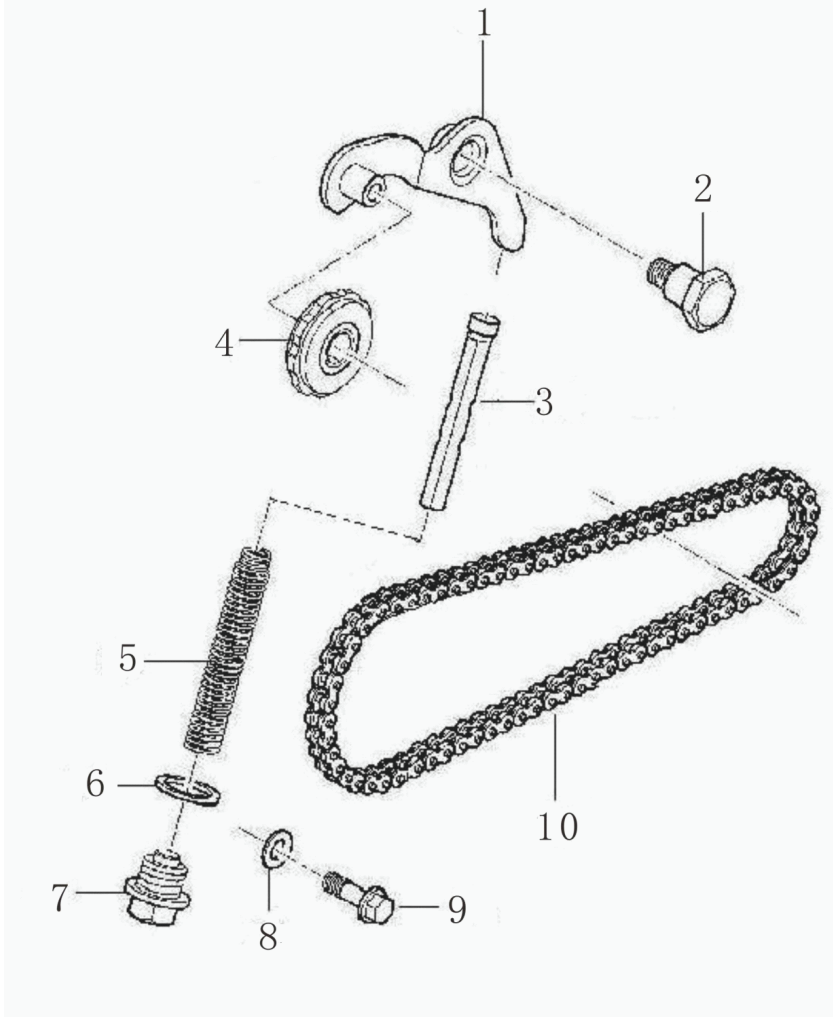
Ref. No.	Part No.	Description	Qty
			H
1	B0578900080040T1X	BOLT M8X40	1
2	B0009601080000K1X	WASHER 8	1
3	B061870108000061X	NUT M8	1
4	9A113-1060-01671X	SCREW M6X16	3
5	6222D-0000-1200Q	RUBBER PAD	3
6	91202-1080-01831X	CAP NUT M8X17.5	2
7	18030-H206-0000	SEAL PAD, EXHAUST MUFFLER	1
8	18000-H418-210004	MUFFLER	1
9	18040-H0E5-000073	COVER REAR, EXHAUST MUFFLER	1
10	91302-9060-15061X	WASHER FLANGED DIA.6X15-7	3

CYLINDER ASSEMBLY



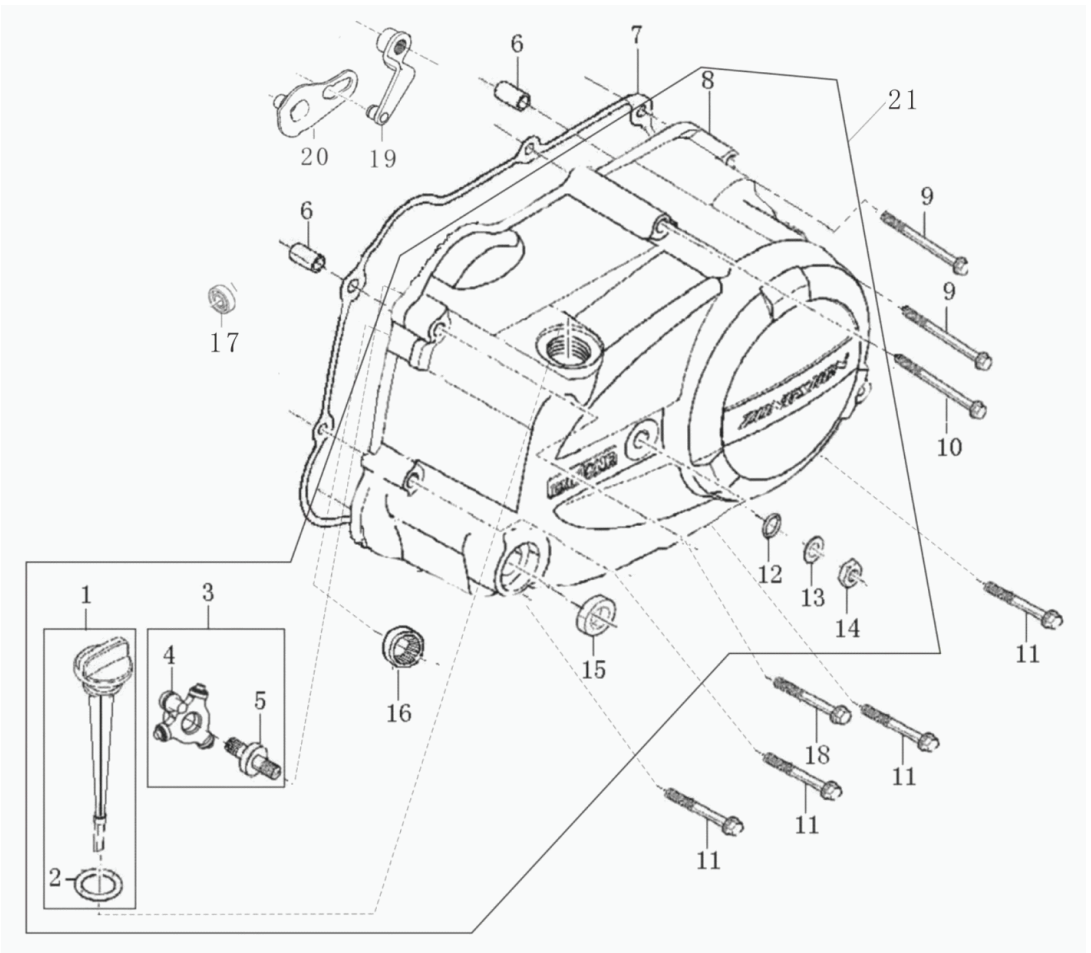
Ref. No.	Part No.	Description	Qty
			H
1	100102874	BUSH 9.5	1
2	100104509	RETANGLE RING 8X10.8X1.5	1
3	100101211	DOWEL PIN DIA.8X14XDIA.7	2
4	100208815	GASKET ASSY CYLINDER HEAD	1
5	100208556	GASKET ASSY CYLINDER BLOCK	1
6	100101210	DOWEL PIN DIA.8X12XDIA.7	2
7	100100382-0007	BOLT M6X23	1
8	100204662-0007	BOLT M6X30	1
9	100207321-0007	CYLINDER BLOCK ASSY	1
10	100200330	GUIDE CHAIN ROLLER PIN	1
11	100106544	WASHER DIA.8X1.5XDIA.14	1
12	100105067-0006	GUIDE CHAIN ROLLER PIN	1
13	100104510	RETANGLE RING 11.5X16X2.5	1
14	100100231	CYLINDER STUD BOLT A	2
15	100100290	CYLINDER STUD BOLT B	1
16	100100289	CYLINDER STUD BOLT B	1

VALVE MECHANISM



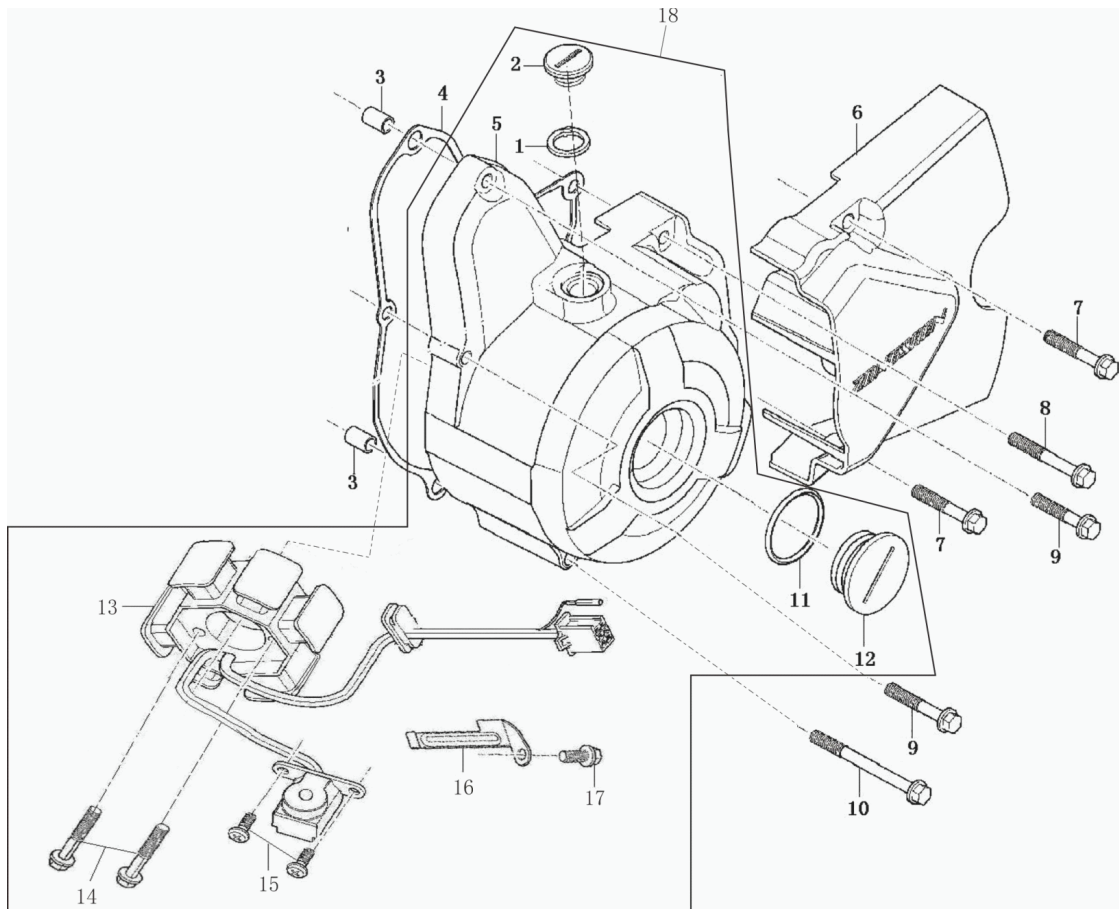
Ref. No.	Part No.	Description	Qty
			H
1	100105256	CHAIN ADJUSTING SET	1
2	100105207	AXLE TENSIONER LEVER	1
3	100105253	CAM CHAIN TENSIONER PUSH ROD	1
4	100105239	PLUG OF TIGHTENER	1
5	100105204	SPRING	1
6	100106552	WASHER DIA.14X1.5XDIA.20	1
7	100100343-0007	SEALING PLUG M14X1.5	1
8	100106538	WASHER DIA.6.2X1.5XDIA.13	1
9	100033099-0006	BOLT M6X18	1
10	100105089	SPROCKET CHAIN	1

RIGHT CRANKCASE COVER



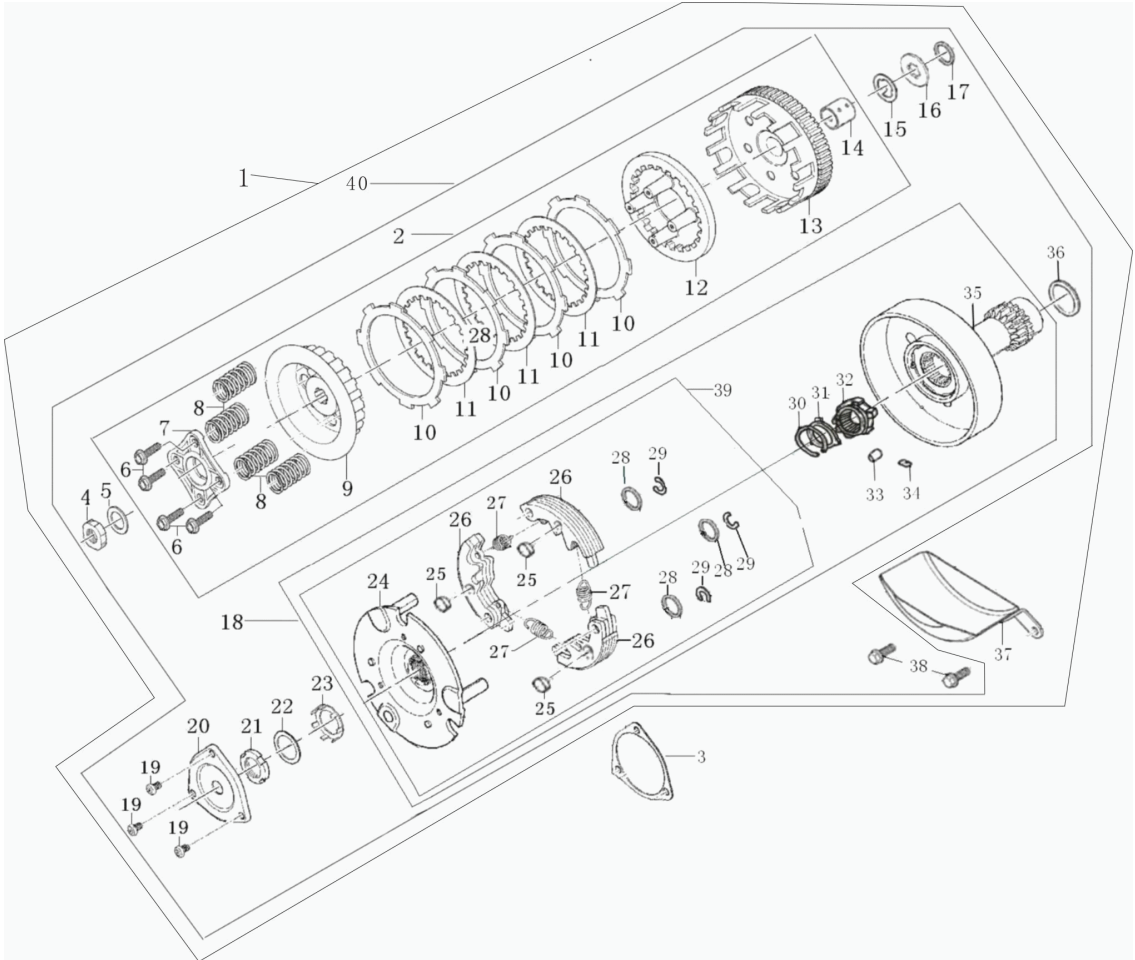
Ref. No.	Part No.	Description	Qty
			H
1	100104879	OIL RULER ASSY	1
2	100031573	O-RING DIA.18X3	1
3	100203191-0001	CLUTCH TAPPET	1
4	100203183	CLUTCH TAPPET	1
5	100100372-0001	BOLT M8	1
6	100100867	DOWEL PIN DIA.8X12XDIA.6.3	2
7	100104568	GASKET R. CRANKCASE COVER	1
8	100202572-0079	COVER COMP RIGHT CRANKCASE	1
9	100031960-0007	BOLT M6X80	2
10	100011543-0001	BOLT M6X65	1
11	100011538-0003	BOLT M6X40	4
12	100107835	O-RING DIA.8X1.8	1
13	100059272	WASHER	1
14	100100562-0002	NUT	1
15	100104727	OIL SEAL 13.8X24X5	1
16	100101058	NEEDLE BEARING	1
17	100031716	BEARING 6000	1
18	100033087-0006	BOLT M6X42	1
19	100051306	CLUTCH MANIPULATE ARM COMBINATION	1
20	100103450	CAM PLATE ASSY CLUTCH	1
21	100302984-0003	COVER COMP RIGHT CRANKCASE	1

LEFT CRANKCASE COVER



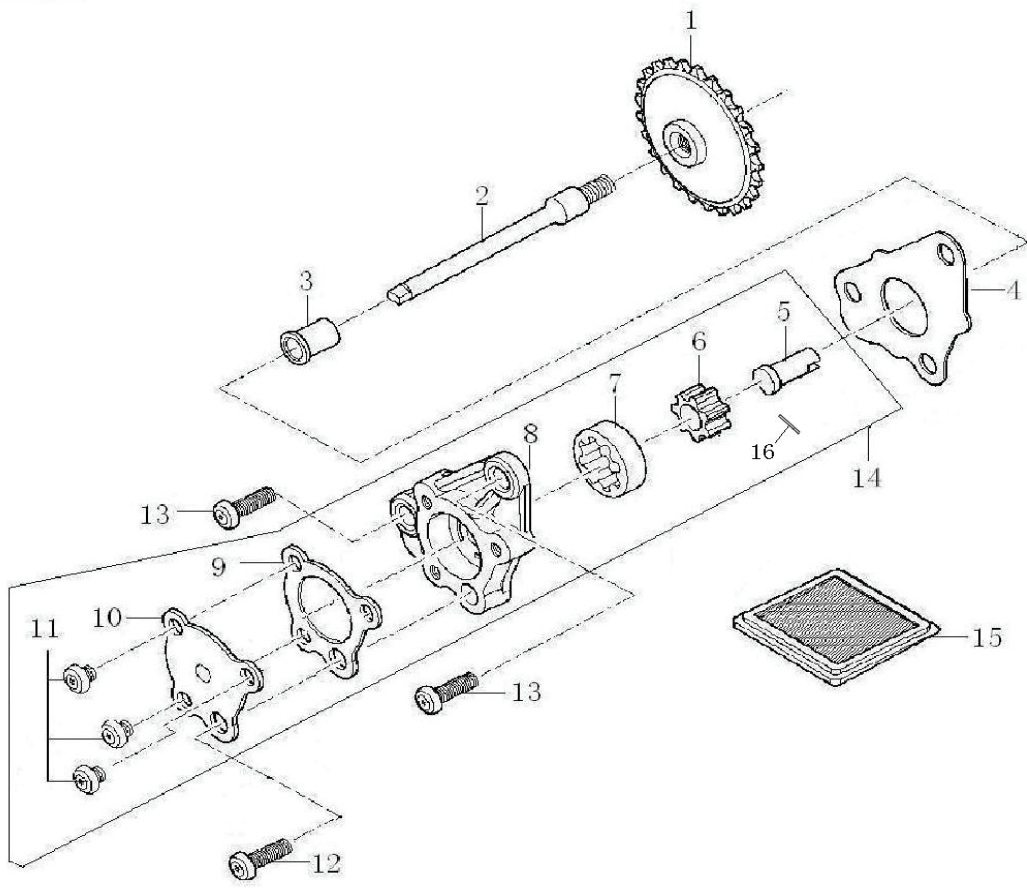
Ref. No.	Part No.	Description	Qty
			H
1	100010074	O-RING DIA.13.2X2.65	1
2	100103059-0021	CAP SMALL VIEW HOLE	1
3	100100867	DOWEL PIN DIA.8X12XDIA.6.3	2
4	100104544	GASKET L.CRANKCASE COVER	1
5	100204895-0005	FRONT PART L.CRANKCASE COVER	1
6	100202220-0032	BACK PART L.CRANKCASE COVER	1
7	100055587-0006	BOLT M6X28	2
8	100011537-0002	BOLT M6X35	1
9	100031957-0007	BOLT M6X32	2
10	100031959-0007	BOLT M6X70	1
11	100107731	O-RING DIA.27.4X2.65	1
12	100103062-0020	CAP BIG VIEW HOLE	1
13	100205028-0003	STATOR ASSY MAGNETO	1
14	100011534-0002	BOLT M6X25	1
15	100011168-0003	BOLT M5X12	2
16	100103067	FIXING PLATE MAGNETO CABLE	1
17	100055589-0006	BOLT M6X16	1
18	100091304-0005	FRONT PART, L.CRANKCASE	1

CLUTCH ASSY



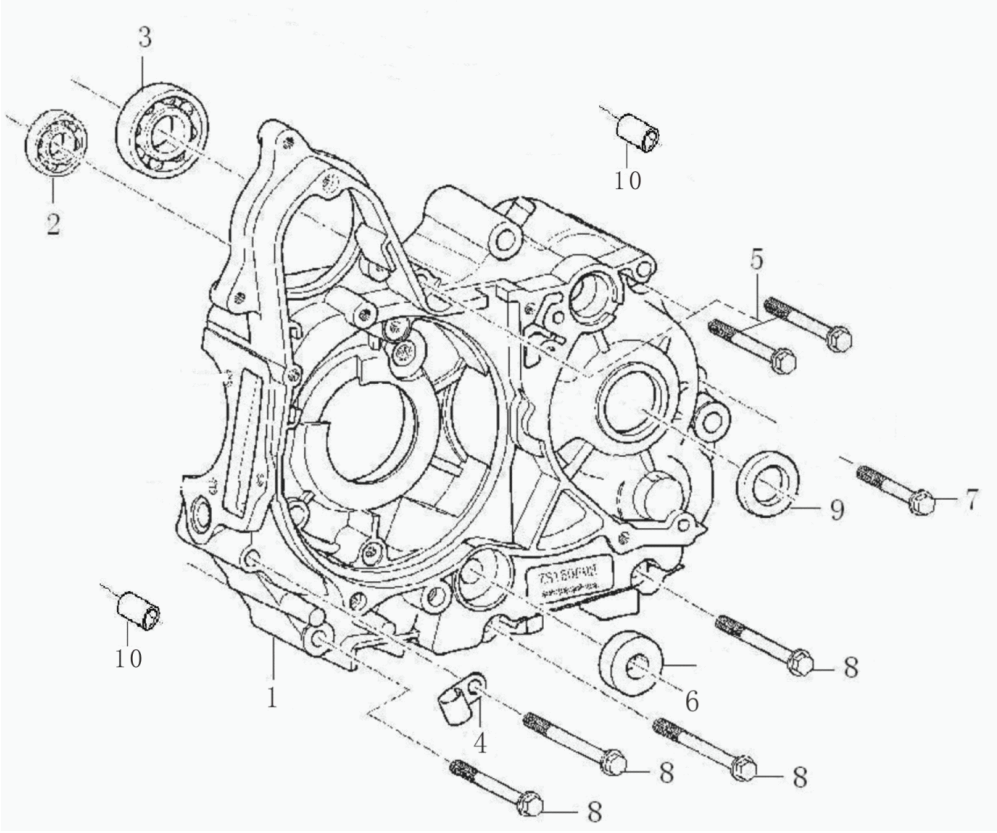
Ref. No.	Part No.	Description	Qty
			H
1	100202781	CLUTCH ASSY	1
2	100301310	CLUTCH ASSY	1
3	100104614	GASKET PRIMARY CLUTCH COVER	1
4	100100514	LOCK NUT CLUTCH	1
5	100103344	DISH WASHER CLUTCH	1
6	100011267-0003	BOLT M6X22	4
7	100301347	END COVER CLUTCH	1
8	100301379	SPRING CLUTCH	4
9	100103357	CENTER SLEEVE CLUTCH	1
10	100301461	DRIVE FRICTION DISK	4
11	100103420	OUTER FRICTION DISK A	3
12	100301355	PRESSURE PLATE CLUTCH	1
13	100301404	OUT CASE ASSY CLUTCH	1
14	100103352	SLEEVE CLUTCH	1
15	100103350	FIXING RING CLUTCH	1
16	100103340	WASHER	1
17	100103348	SPACER SLEEVE CLUTCH	1
18	100303503	ASSY PRIMARY CLUTCH	1
19	100031847-0006	SCREW M5X8	3
20	100103460	COVER PRIMARY CLUTCH	1
21	100100528	LOCK NUT PRIMARY CLUTCH	1
22	100103343	DISH WASHER CLUTCH	1
23	100103459	STOP WASHER PRIMARY CLUTCH	1
24	100303533	DRIVE DISK PRIMARY CLUTCH	1
25	100103468	SHAKE ABSORBER	3
26	100303537	COUNTER WEIGHT SET PRIMARY CLUTCH	3
27	100203228	SPRING PRIMARY CLUTCH	3
28	100303507	STOP WASHER PRIMARY CLUTCH	3
29	100103461	CIRCLIP PRIMARY CLUTCH	3
30	100103462	CIRCLIP PRIMARY CLUTCH	1
31	100106533	WASHER DIA.29.5X0.8XDIA.38	1
32	100103471	INNER PLATE OVERRUNNING CLUTCH	1
33	100100637	PIN	6
34	100103467	SPRING	6
35	100108014	OUTER CASE PRIMARY CLUTCH	1
36	100103457	THRUST WASHER PRIMARY CLUTCH	1
37	100202930	OIL INSULATING CLUTCH	1
38	100011173-0003	BOLT M6X16	2
39	100303529	DRIVE DISK ASSY PRIMARY CLUTCH	1
40	100091360	CLUTCH ASSY	1

OIL PUMP



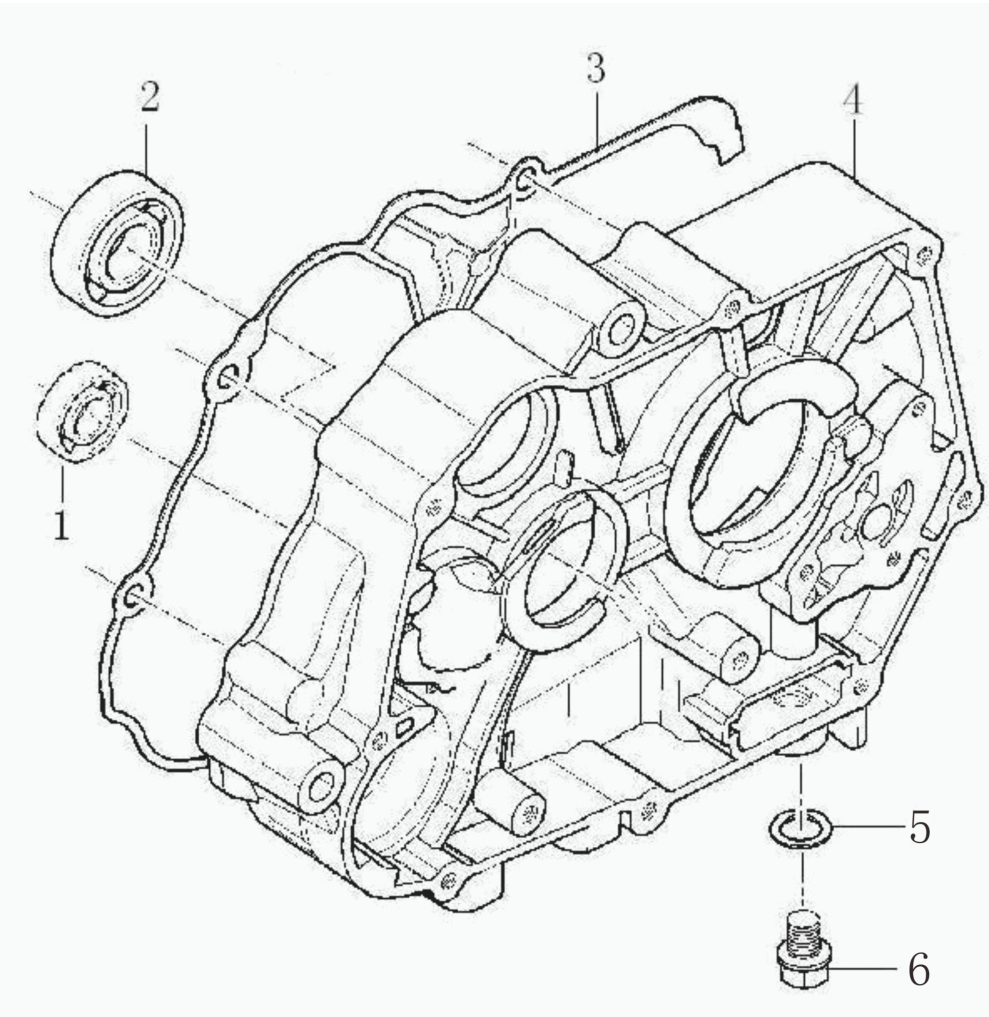
Ref. No.	Part No.	Description	Qty
			H
1	100104951	HUB DUMP CHAIN SPROCKET OIL PUMP	1
2	100104914	OIL PUMP SPROCKET SHAFT	1
3	100104916	BUSH SPROCKET	1
4	100104601	GASKET OIL PUMP	1
5	100204475	SHAFT OIL PUMP	1
6	100204573	INNER ROTOR OIL PUMP	1
7	100204600	OUTER ROTOR OIL PUMP	1
8	100204541	OIL PUMP BODY	1
9	100208792	GASKET OIL PUMP COVER	1
10	100100159	OIL PUMP COVER	1
11	100010953-0001	SCREW M5X10	3
12	100031854-0002	SCREW M6X22	1
13	100031852-0005	SCREW M6X16	2
14	100204455	OIL PUMP ASSY	1
15	100104941	STRAINER OIL PUMP	1
16	100032890	PIN DIA.2.5X10	1

LEFT CRANKCASE



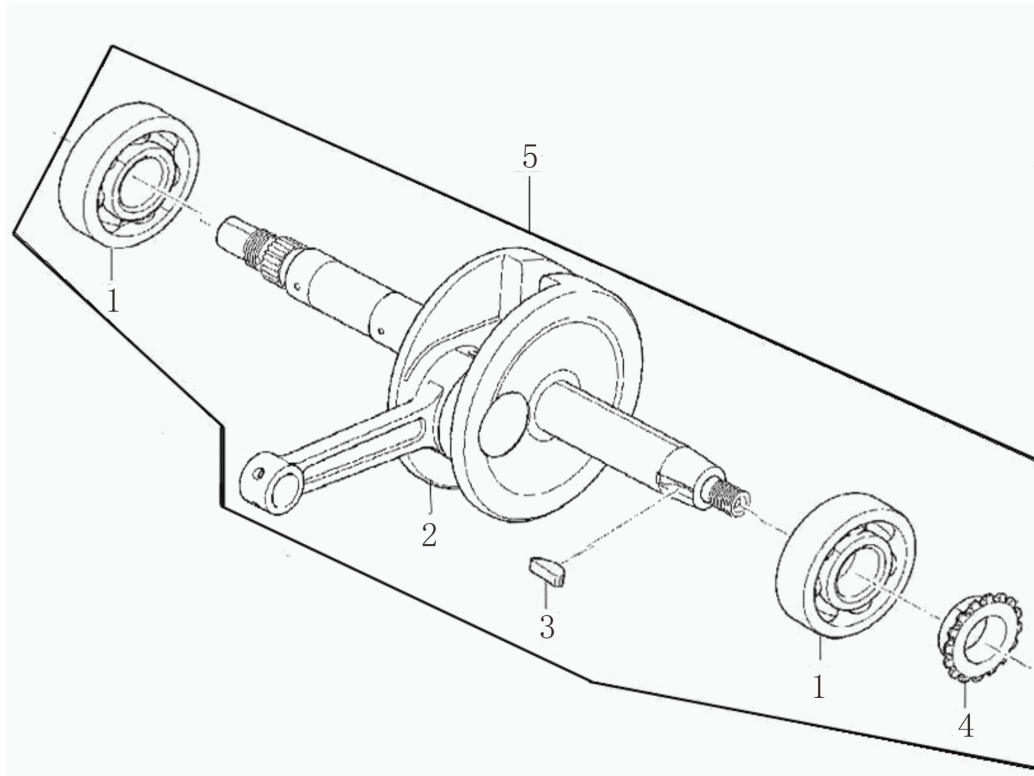
Ref. No.	Part No.	Description	Qty
			H
1	100102935-0014	LEFT CRANKCASE BLOCK	1
2	100010667	BEARING 6001	1
3	100010678	BEARING 6203	1
4	100102915-0005	CLIP OVERFLOW PIPE	1
5	100011542-0001	BOLT M6X60	2
6	100104645	OIL SEAL 11.6X24X10	1
7	100011540-0007	BOLT M6X50	1
8	100011543-0001	BOLT M6X65	4
9	100104696	OILS SEAL 17X29X5	1
10	100102729	DOWEL PIN DIA. 10X14	2

RIGHT CRANKCASE



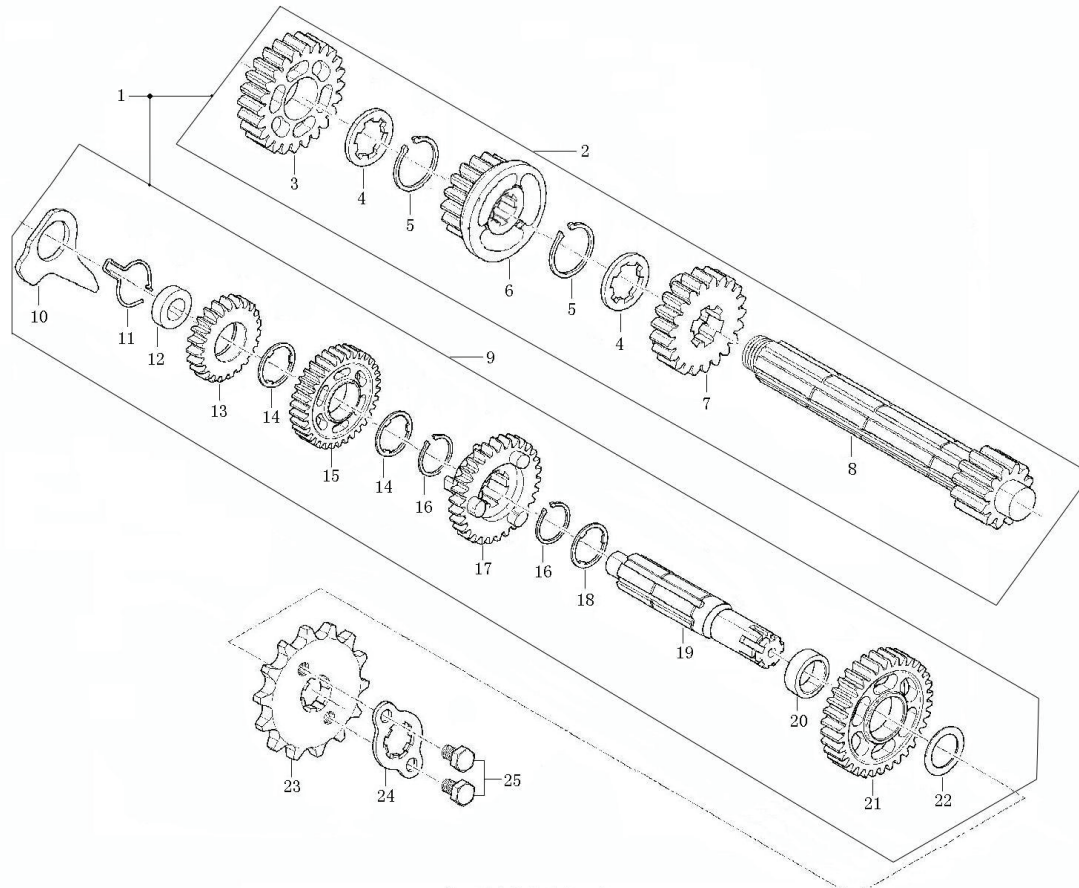
Ref. No.	Part No.	Description	Qty
			H
1	100010676	BEARING 6201	1
2	100010678	BEARING 6203	1
3	100104581	GASKET CRANKCASE	1
4	100103015-0016	RIGHT CRANKCASE BLOCK	1
5	100106548	WASHER DIA.12.1X2XDIA.20	1
6	100100331-0006	OIL DRAIN PLUG	1

CRANKSHAFT CONNECTING-ROD ASSY



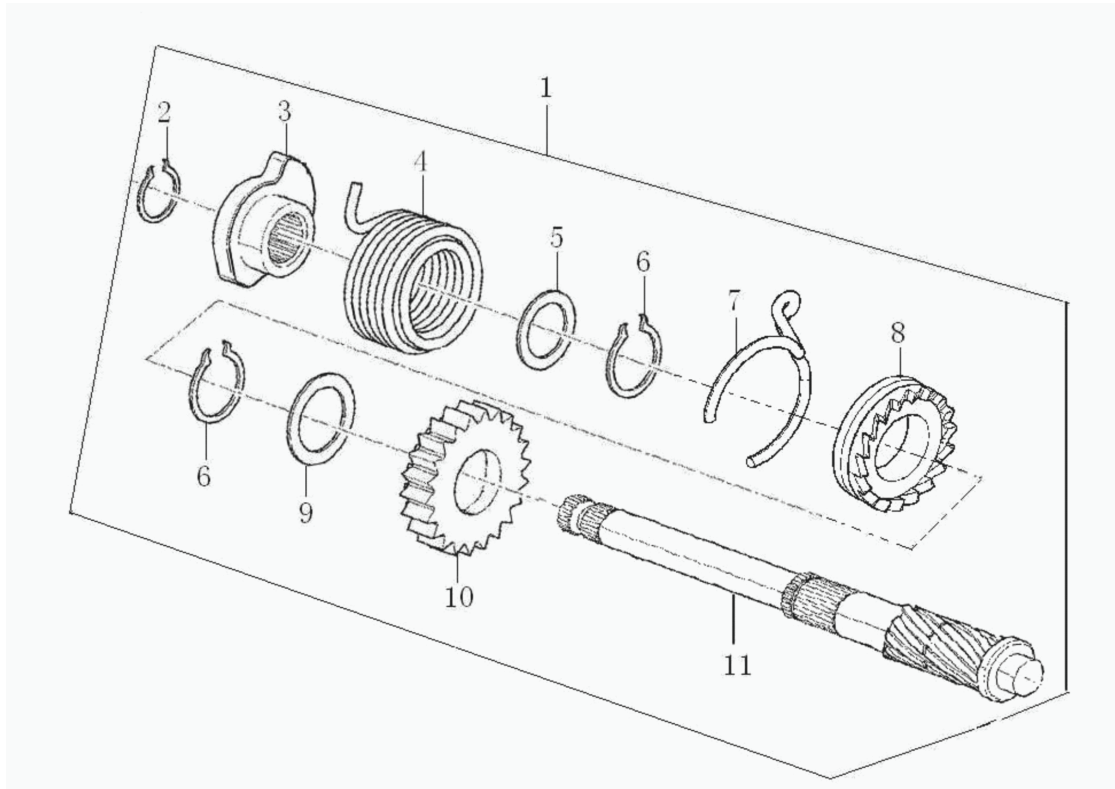
Ref. No.	Part No.	Description	Qty
			H
1	100010685	BEARING 6304	2
2	100207053	CONNECTING ROD COMP 3	1
3	100100639	SEMICIRCULAR KEY	1
4	100101953	HUB DUMP CHAIN SPROCKET	1
5	100068320	CRANKSHAFT CONNECTING ROD ASSY	1

TRANSMISSION MAIN, COUNTER SHAFT



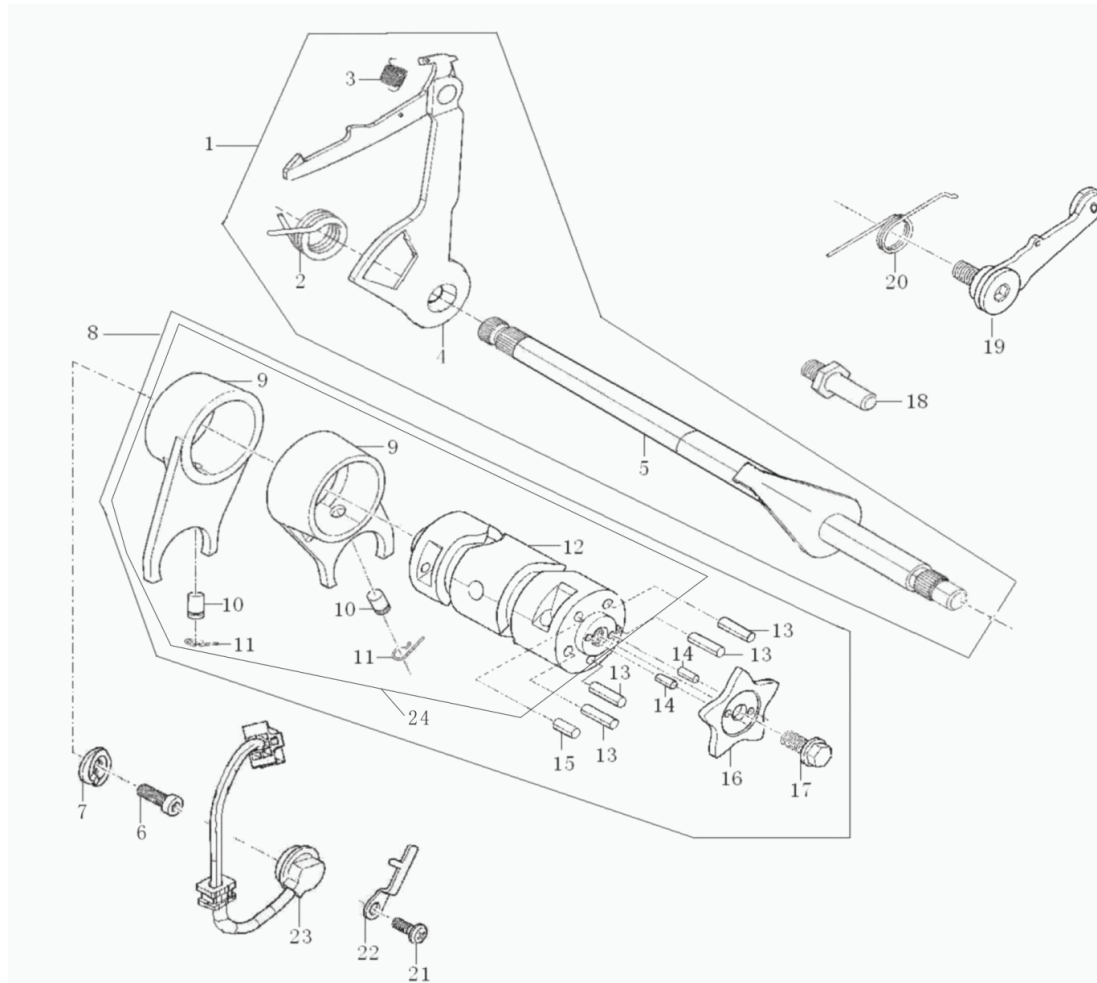
Ref. No.	Part No.	Description	Qty
			H
1	100203271	TRANSMISSION MAIN COUNTER SHAFT	1
2	100203420	MAIN SHAFT TRANSMISSION	1
3	100103604	GEAR M-4	1
4	100203476	WASHER	2
5	100011099	RETAINING RING 17	2
6	100103603	GEAR M-3	1
7	100103602	GEARM-2	1
8	100203459	TRANSMISSION MAIN SHAFT	1
9	100203526	COUNTERSHAFT TRANSMISSION	1
10	100203634	LIMIT PLATE GEARSHAFT	1
11	100203631	DAMPING SPRING COUNTERSHAFT	1
12	100103570	SLEEVE	1
13	100103709	GEAR C-4	1
14	100203475	WASHER	2
15	100103708	GEAR C-3	1
16	100100629	CHECK RING DIA.18.5X1.2XDIA.22	2
17	100103707	GEAR C-2	1
18	100103646	WASHER	1
19	100203588	TRANSMISSION COUNTERSHAFT	1
20	100103776	COLLAR 20X9	1
21	100103706	GEAR C-1	1
22	100106520	WASHER DIA.17.2X1.2XDIA.26	1
23	100103800	DRIVE SPROCKET	1
24	100203657	FIXING PLATE DRIVE SPROCKET	1
25	100031911-0004	BOLT M6X10	2

KICK STARTING SHAFT ASSEMBLY



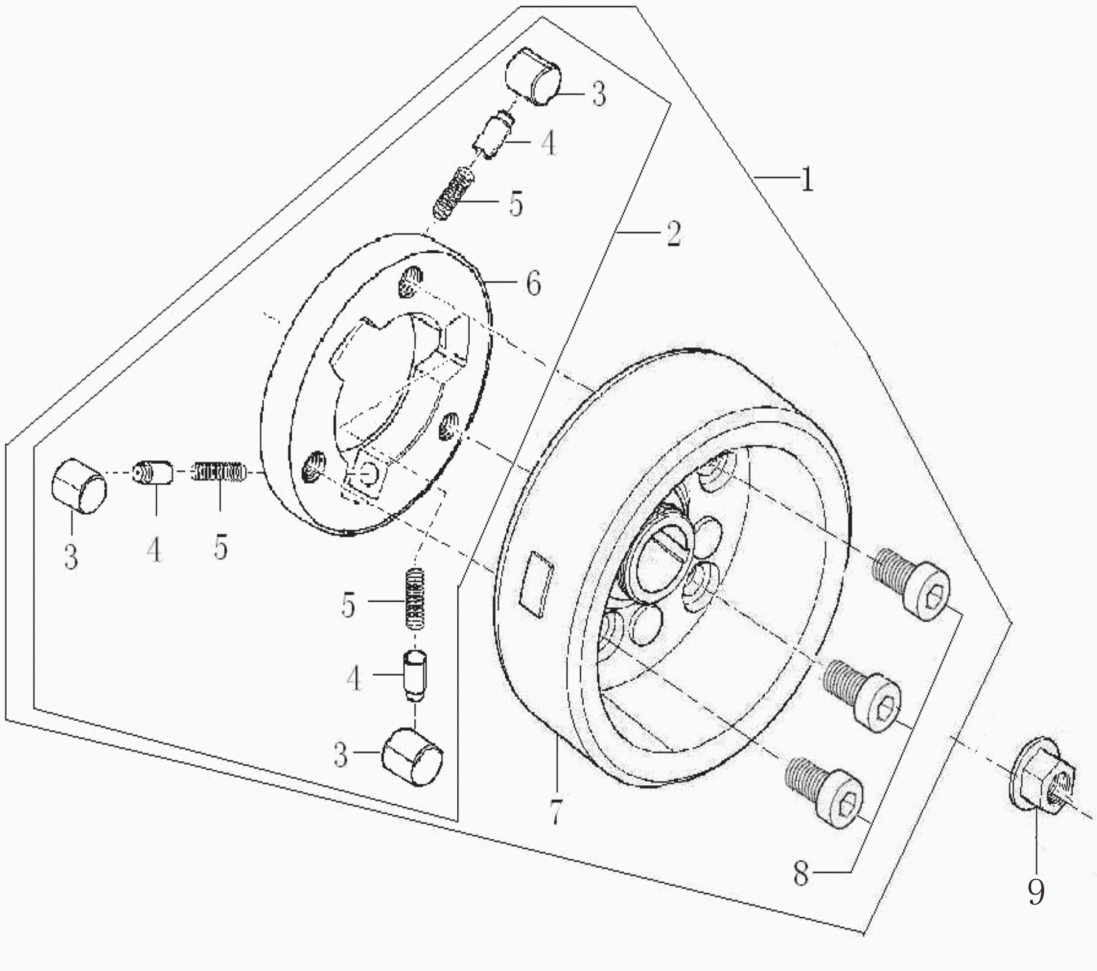
Ref. No.	Part No.	Description	Qty
			H
1	100201840	KICK STARTING SHAFT ASSY	1
2	100100595	CIRCLIP DIA. 15.5X1.2XDIA. 19	1
3	100105737	SEAT SPRING KICK STARTING SHAFT	1
4	100201899	RETURN SPRING KICK STARTING SHAFT	1
5	100106518	WASHER DIA. 17.2X1XDIA. 24	1
6	100100596	CIRCLIP DIA. 18.5X1.2XDIA. 21.1	2
7	100303348	SPRING KICK STARTING RATCHET WHEEL	1
8	100303337	STARTING RATCHET	1
9	100106527	WASHER DIA. 20.2X1XDIA. 27	1
10	100105767	GEAR KICK STARTER	1
11	100201907	PIVOT KICK STARTING SHAFT	1

GEARSHIFT MECHANISM



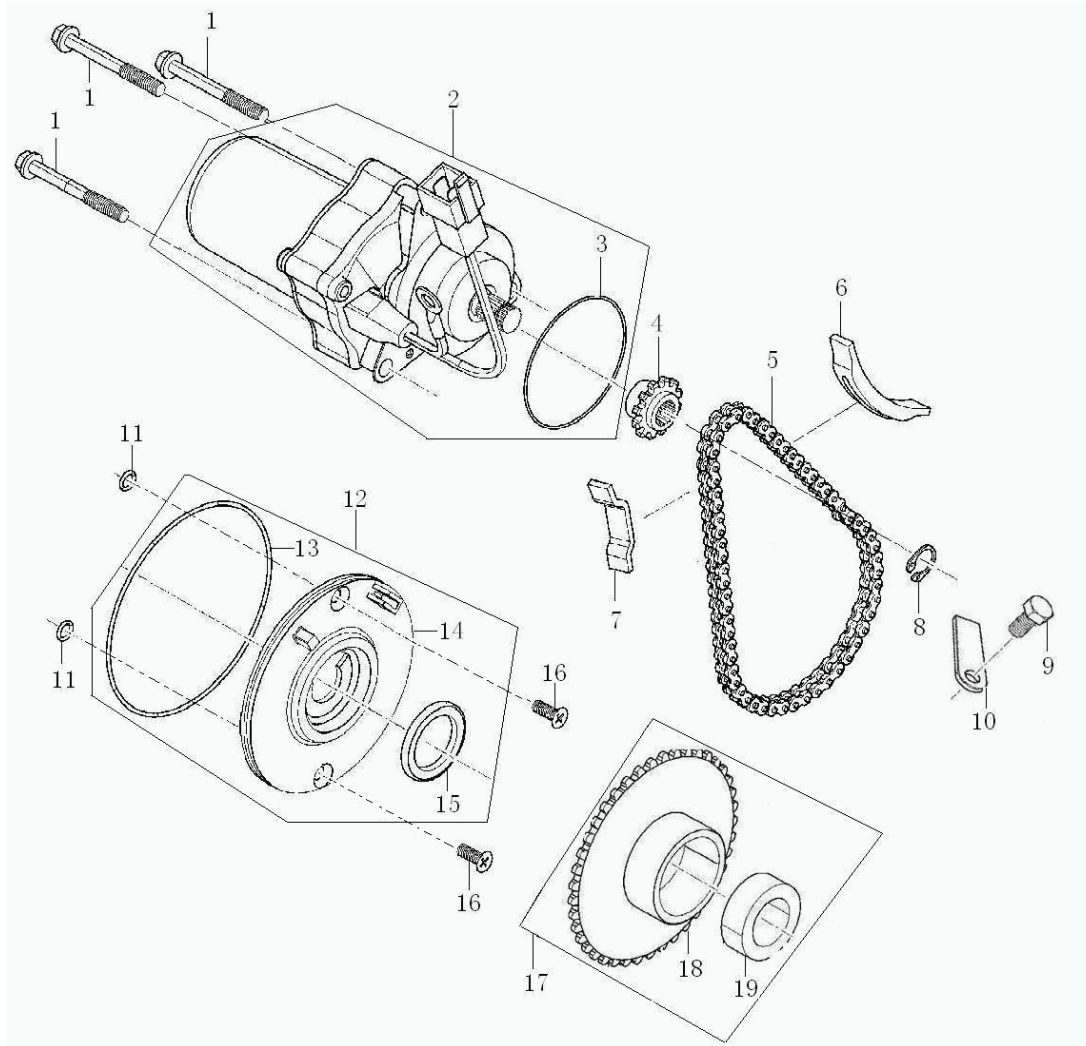
Ref. No.	Part No.	Description	Qty
			H
1	100203869-0001	GEAR SHIFT LEVER COMP	1
2	100203925	RETURN SPRING	1
3	100103996	GEARSHIFT LEVER TENSION SPRING	1
4	100203947	LIMIT SCREW	1
5	100203912	GEARSHIFT SHAFT COMP	1
6	100100465-0001	SCREW	1
7	100104486	CONTACT GEARINDICATION	1
8	100203779	GEARSHIFT DRUM COMP	1
9	100203714	GEARSHIFT FORK	2
10	100103891	GUIDE PIN	2
11	100103892	CLIP SPRING	2
12	100203822	GEARSHIFT DRUM	1
13	100100901	PIN DIA.4X13	4
14	100100888	PIN DIA.3X9	2
15	100100898	PIN DIA.4X9	1
16	100203806	STOPPING PLATE	1
17	100011264-0003	BOLT M6X16	1
18	100100392	BOLT RETURN SPRING FIXING 8X11	1
19	100203957	LOCATING PLATE ASSY	1
20	100103980	SPRING LOCATING PLATE	1
21	100031851-0004	SCREW M6X12	1
22	100104485	GEARSHIFT SWITCH PRESSING PLATE	1
23	100208384-0002	GEARSHIFT SWITCH LAMP	1
24	100163808	GEARSHIFT DRUM COMP	1

MAGNETO COMP



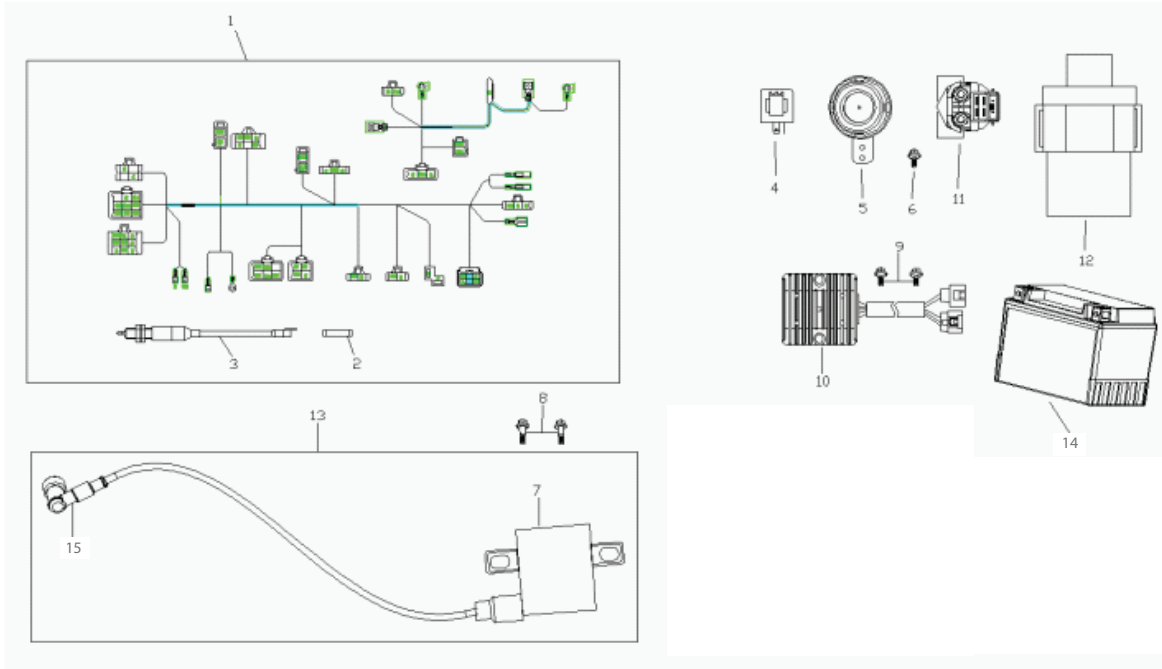
Ref. No.	Part No.	Description	Qty
			H
1	100205193	ROTOR ASSY MAGNETO	1
2	100103200	ASSY OVERRUNNING CLUTCH	1
3	100103211	CLUTCH ROLLER	3
4	100103213	CONE BLOCKAGE	3
5	100103210	SPRING	3
6	100202618	STARTING CLUTCH BODY	1
7	100066183	ROTOR ASSY MAGNETO	1
8	100010845-0001	BOLT M8X15	3
9	100204698-0001	NUT	1

ELECTRIC STARTING MECHANISM



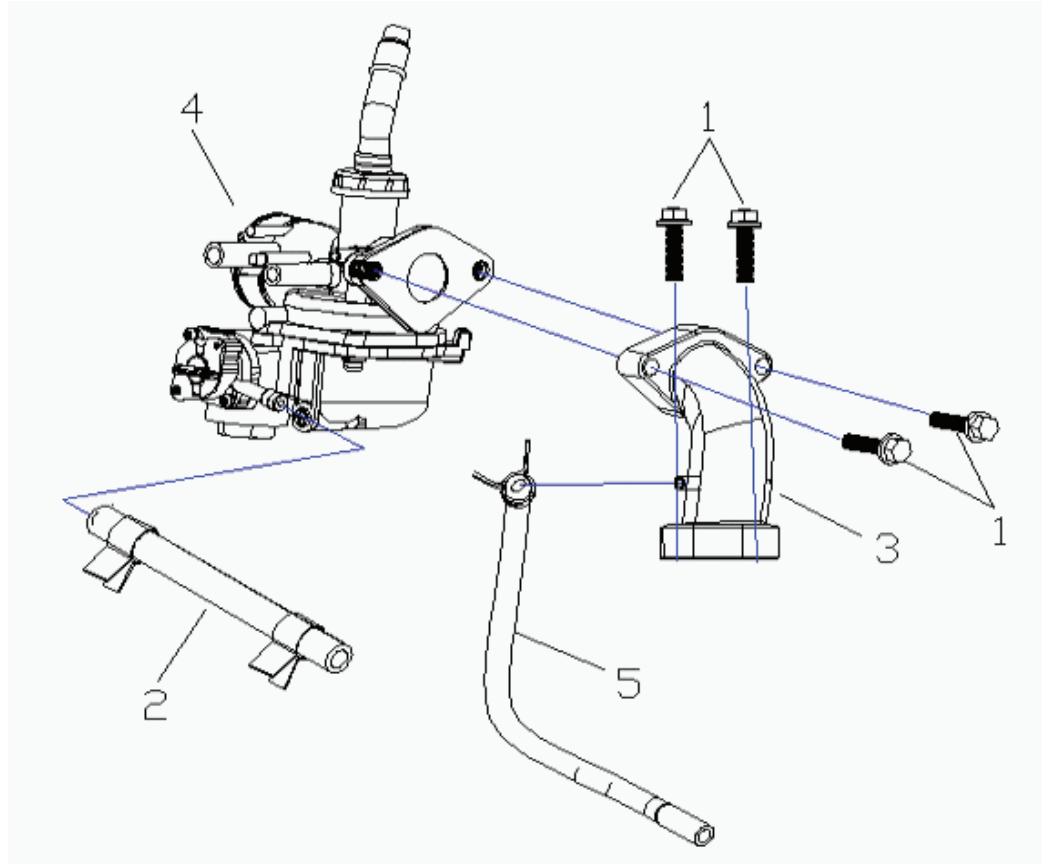
Ref. No.	Part No.	Description	Qty
			H
1	100011540-0007	BOLT M6X50	3
2	100205313-0014	STARTING MOTOR ASSY	1
3	100031594	O-RING DIA.52.5X2	1
4	100104271	SPROCKET	1
5	100103253	STARTING MOTOR DRIVE CHAIN	1
6	100103278	ASSY GUIDE PLATE	1
7	100103272	ASSY CHAIN PROTECT PLATE	1
8	100033003	RETAINING RING 11	1
9	100011171-0002	BOLT M6X12	1
10	100103247	PLATE START CLUTCH	1
11	100107798	O-RING DIA.6.5X1.8	2
12	100202677	DISK INSULATOR	1
13	100107650	O-RING DIA.106.8X2	1
14	100103246	DISK INSULATOR	1
15	100104777	OIL SEAL 30X42X4.5	1
16	100123471-0001	SCREW M6X16	2
17	100103255	PLATE GEAR ASSY	1
18	100202720	PLATE GEAR ASSY	1
19	100104782	OIL SEAL 19X30X5	1

ELECTRICAL PARTS



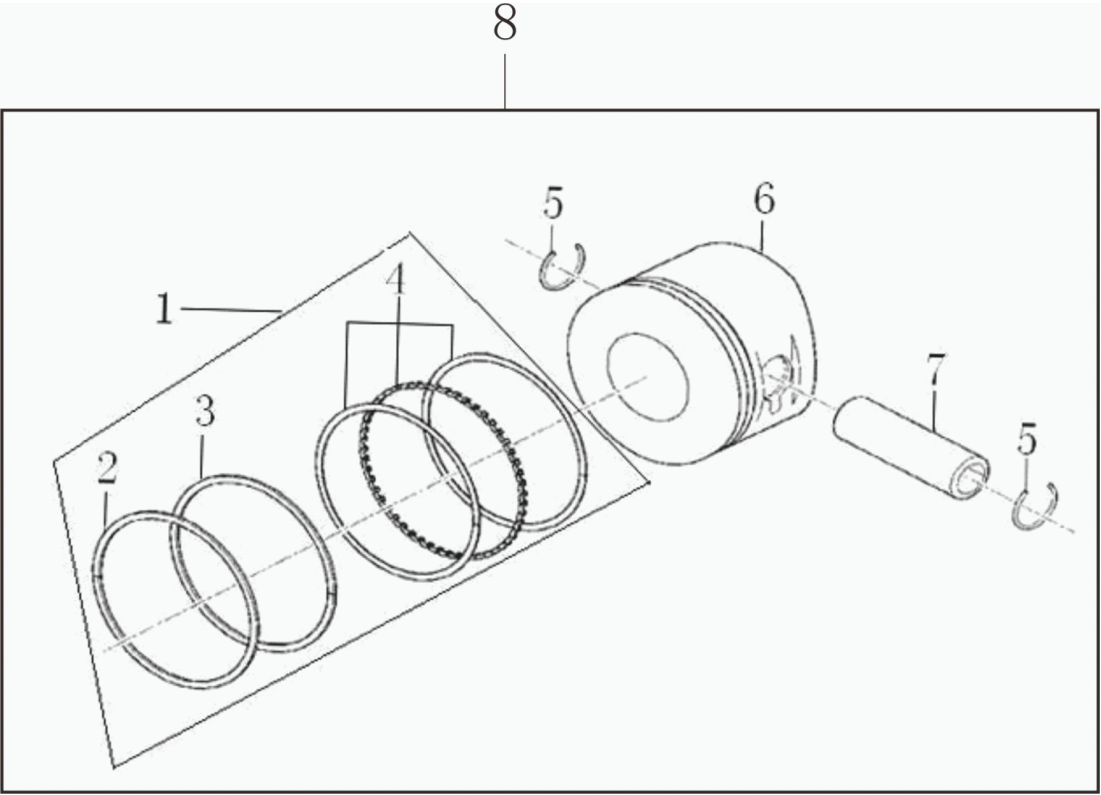
Ref. No.	Part No.	Description	Qty
			H
1	85100-H418-C00004	MAIN CABLE	1
2	85171-0000-0000	FUSE 10A	1
3	84600-H418-C000	SWITCH REAR BRAKING LAMP	1
4	85600-I126-C10001Q	FLASHER	1
5	85500-H259-010001	HORN	1
6	B057890006000871X	BOLT M6X8	1
7	81120-H418-0000	IGNITION COIN BUNDLE	1
8	B057830005001671X	M5X16	2
9	B057890006001271X	BOLT M6X12	2
10	83100-H259-C000Q	RECTIFIER	1
11	82290-I258-0000Q	STARTING RELAY	1
12	81200-H259-0000Q	IGNITOR	1
13	81100-H418-0000Q	IGNITION COIL	1
14	26012-519-0017	BATTERY	1
15	81110-I357-0000	SPARK PLUG	1

CARBURETOR/INTAKE PIPE



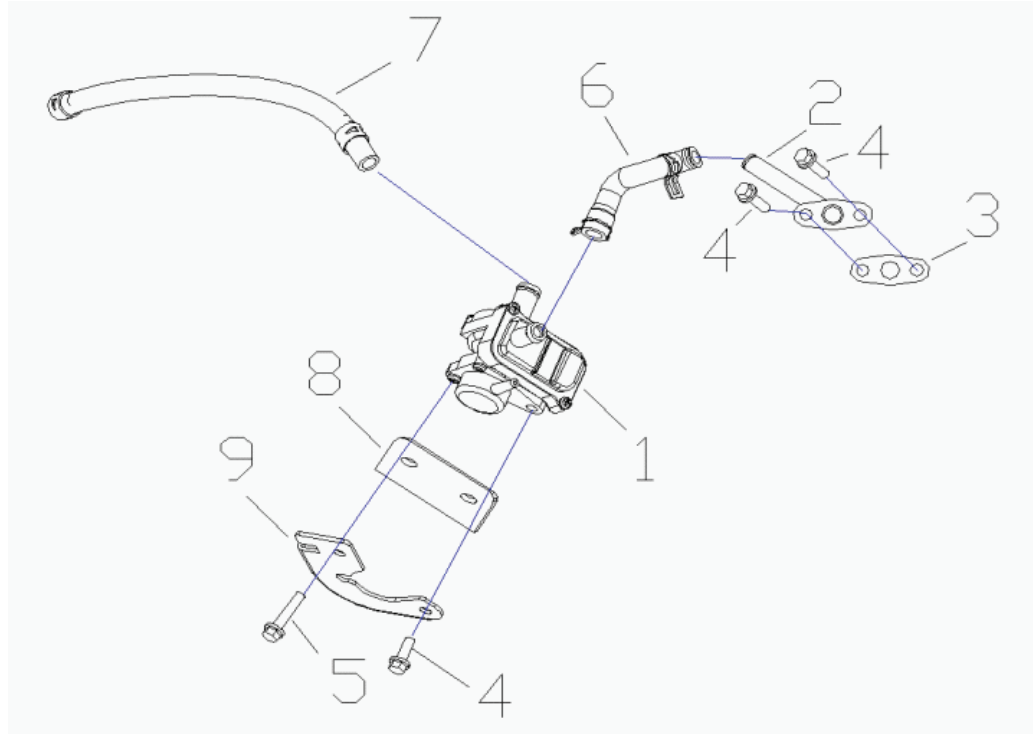
Ref. No.	Part No.	Description	Qty
			H
1	B166740106002571X	BOLT M6X25	4
2	613140070ZGT0000XQ	OIL PIPE ASSY DIA.4X8X70	1
3	15800-H327-0000Q	INTAKE PIPE	1
4	17100-0000-030014	CARBURETOR	1
5	613140120ZGT0000XQ	OIL PIPE ASSY DIA.4X8X120	1

PISTON



Ref. No.	Part No.	Description	Qty
			H
1	100303082	PISTON RING COMP	1
2	100206378	PISTON RING 1	1
3	100206436	PISTON RING 2	1
4	100054745	OIL RING ASSY	1
5	100100580	CHECK RING PISTON RING	2
6	100101356	PISTON	1
7	100101506	PIN PISTON	1
8	100152950	PISTON ASSY	1

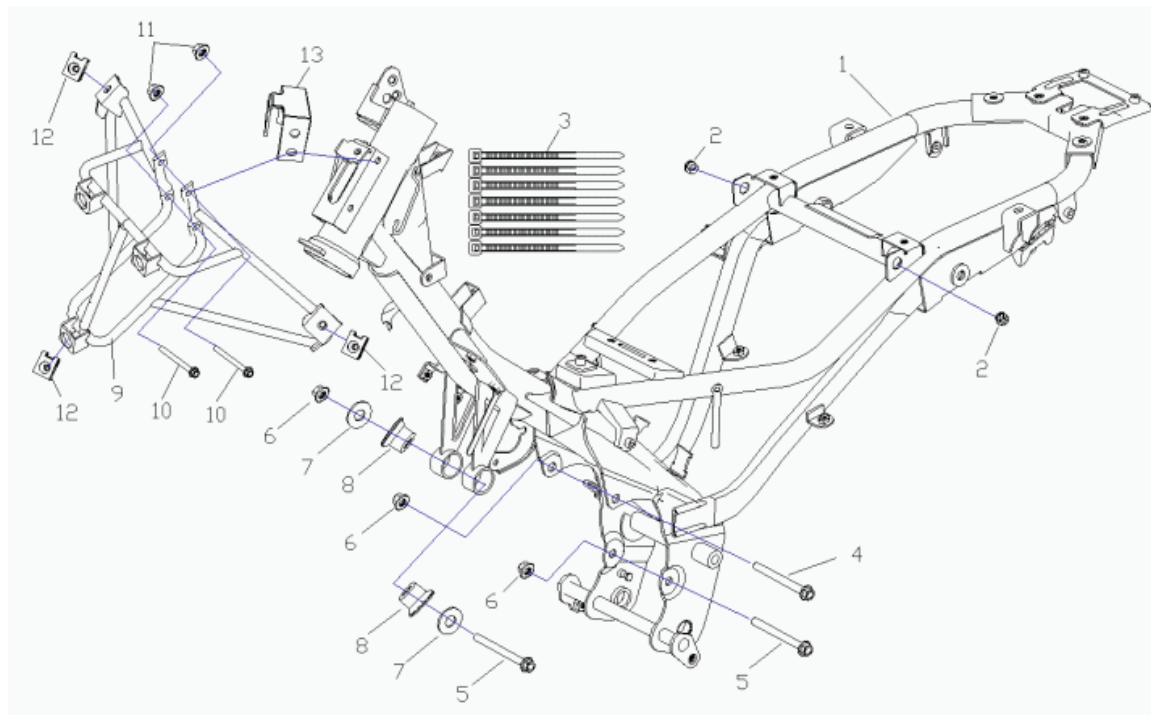
AIR PUMP



Ref. No.	Part No.	Description	Qty	
			H	
1	18090-G011-020002	AIR PUMP	1	
2	1809B-G011-02000YQ	EXHAUST IRON PIPE ASSY	1	
3	90268-DA80-0000	EXHAUST IRON PIPE SEAL PAD	1	
4	B166740106001671X	BOLT M6X16	3	
5	B166740106002571X	BOLT M6X25	2	
6	18092-0000-A001Q	EXHAUST RUBBER PIPE	1	
7	18092-0000-970002	PIPE DIA.9X15X(30+140)	1	
8	90275-I008-0000	SECONDARY AIR PUMP BRACKET	1	
9	18089-G011-0400Q	AIR SUPPLY PUMP BRACKET	1	

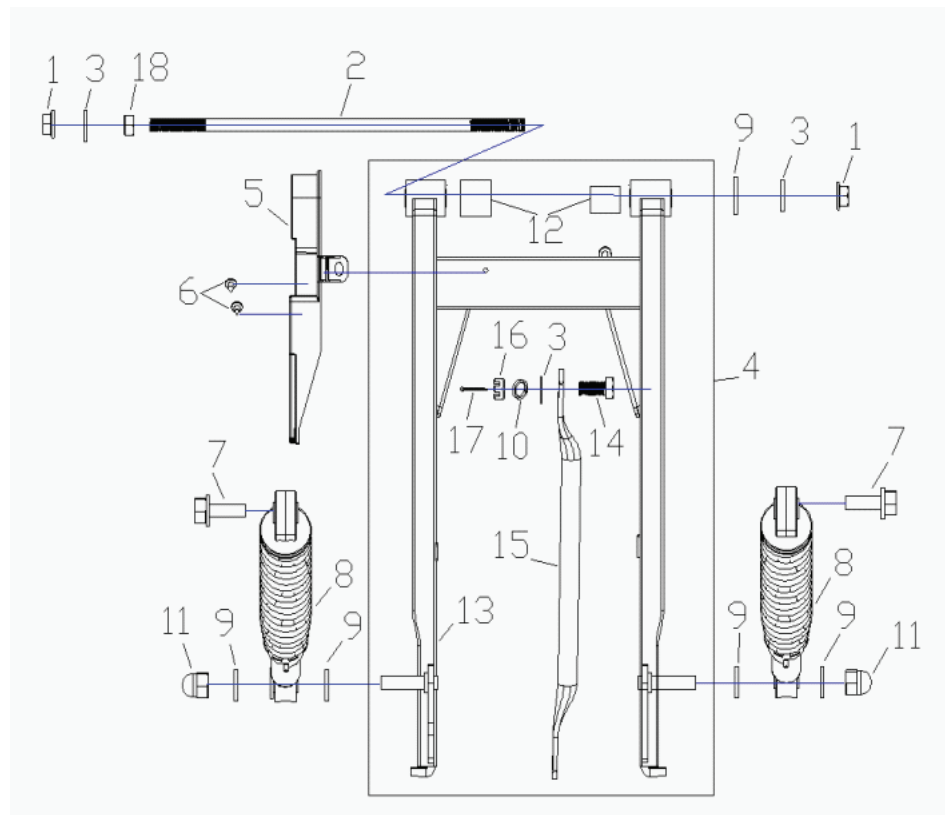
FRAME GROUP 4

FRAME



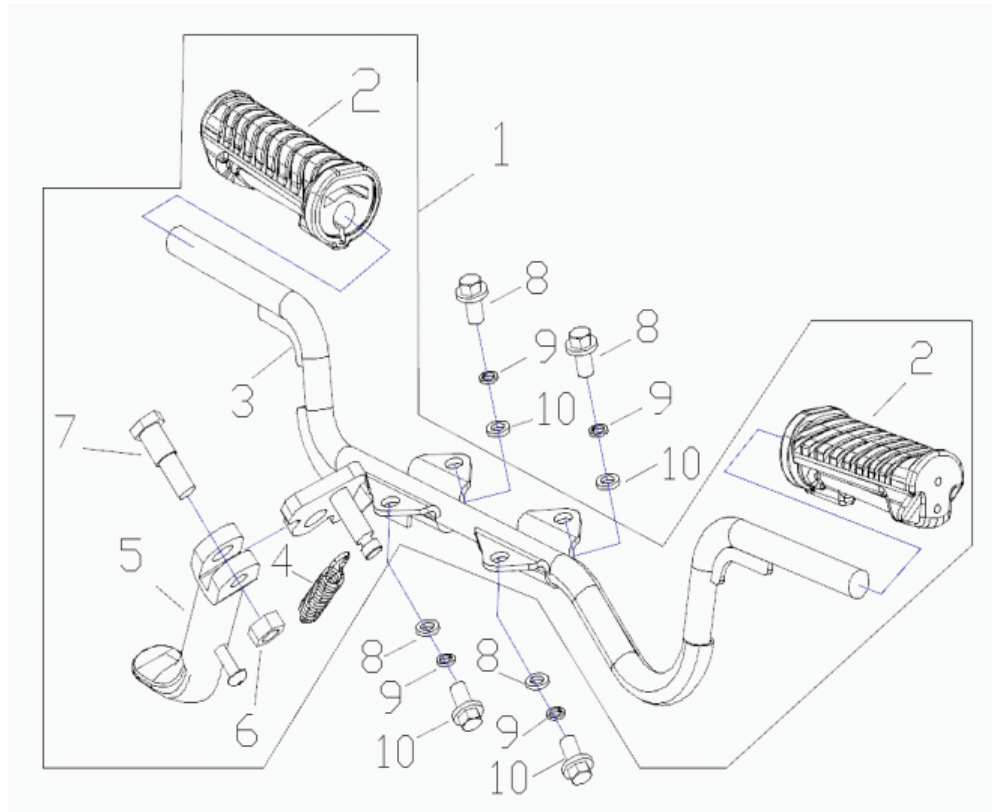
Ref. No.	Part No	Description	Qty
			H
1	31100-H418-060001	FRAME	1
2	63342-H206-0100Q	RUBBER PLUG VEHLCE	2
3	08216-0000-4000Q	TIE BELT	7
4	B0578900080100T1X	BOLT M8X100	2
5	B0578900080115T1X	BOLT M8X115	1
6	B061870108000061X	NUT M8	3
7	B0009601080000K1X	WASHER 8	2
8	31221-H206-0100Q	FRONT SUSPENSION RUBBER PLUG	2
9	31203-H418-020003	BRACKET FRONT COVER	1
10	B166740106005571X	BOLT M6X55	2
11	B061770106000061X	NUT M6	2
12	91218-1060-022T0U	CLIP M6X22.3X15	4
13	63437-H418-000003	BRACKET MAIN CABLE	1

REAR SWING ARM/REAR ABSORBER



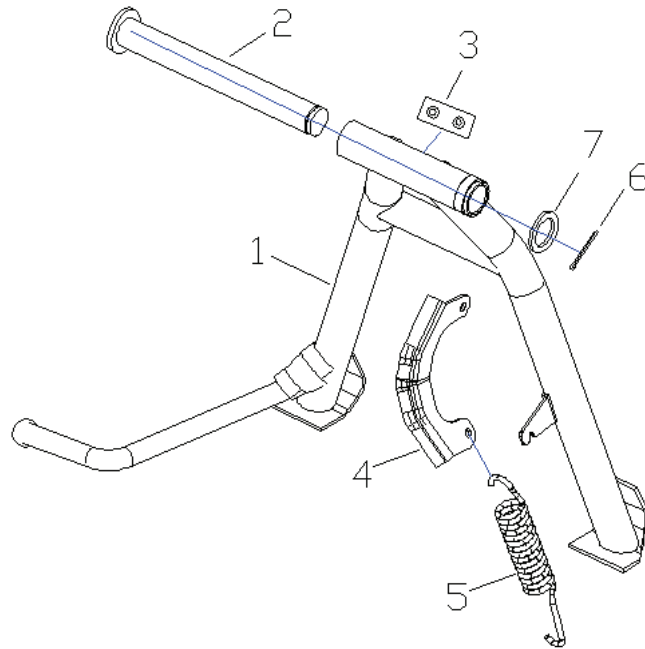
Ref. No.	Part No.	Description	Qty
			H
1	B061870210000061X	LOCK NUT M10X1.25	2
2	35281-H0E5-000001	SHAFT SWING ARM	1
3	B0009701100000K1X	PLANE WASHER 10	2
4	35200-H418-010003	SWING ARM ASSY	1
5	35001-H206-0000Q	PROTECTING CLIP CHAIN	1
6	9A133-1042-013X1X	SELF TAPPING SCREW ST4.2X13	2
7	B057892010003771X	BOLT M10X1.25X37	2
8	33300-H670-C00072	REAR ABSORBER SHOCK	2
9	91301-0100-25021X	PLANE WASHER 10XDIA.25-2	5
10	B000930008000001X	SPRING WASHER 8	1
11	B009230010000061X	CAP NUT M10X1.25	2
12	3520B-H418-000000	SHAFT BUSH SUB ASSY	2
13	3520A-H418-010001	SWING ARM WELDING ASSY	1
14	35214-G124-000002	CONNECTING BOLT	1
15	35215-G124-00006N	POSITIONING PIPE REAR BRAKE	1
16	B0618000080000061X	NUT M8	1
17	B000910002001601X	OPENING PIN 2X16	1
18	B061730010000061X	NUT M10X1.25	1

FRONT FOOTPEG



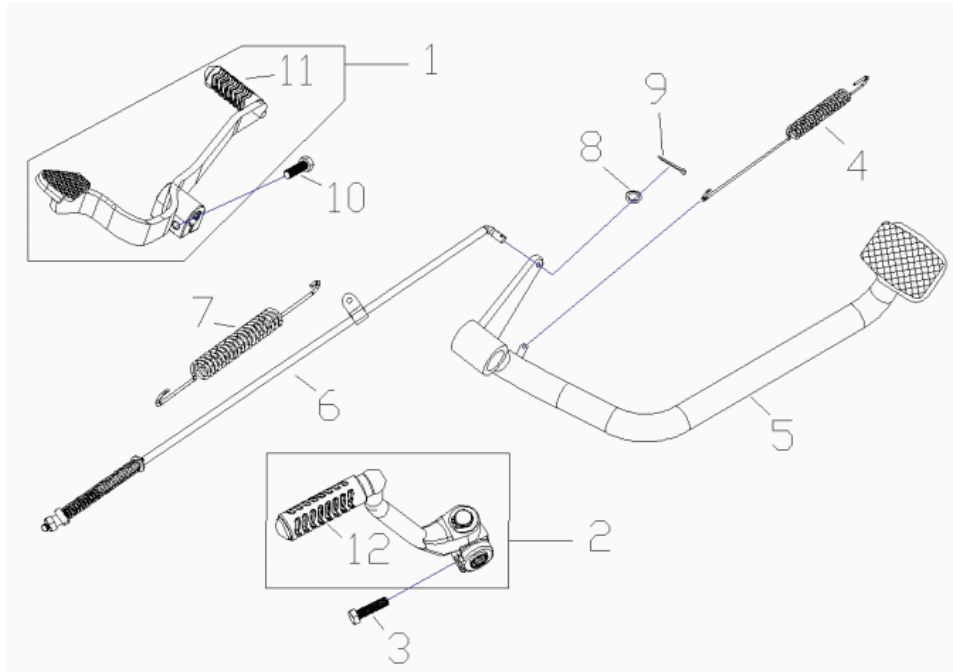
Ref. No.	Part No.	Description	Qty
			H
1	32100-H261-000002	FRONT FOOTPEG ASSEMBLY	1
2	32101-H0E5-0100	RUBBER BUSH FRONT FOOTPEG	2
3	32147-H0E5-010001	WELDING COMPONENTS FRONT FOOTPEG	1
4	32102-H206-0000	SPRING SIDE BRACKET	1
5	32130-H261-000001	WELDING ASSY SIDE STAND	1
6	B061710010000061X	NUT M10X1.25	1
7	32131-H206-00000B	BOLT SIDE BRACKET	1
8	B057890008002071X	BOLT M8X20	4
9	B000930008000001X	SPRING WASHER 8	4
10	B0009701080000K1X	PLANE PAD	4

MAIN BRACKET



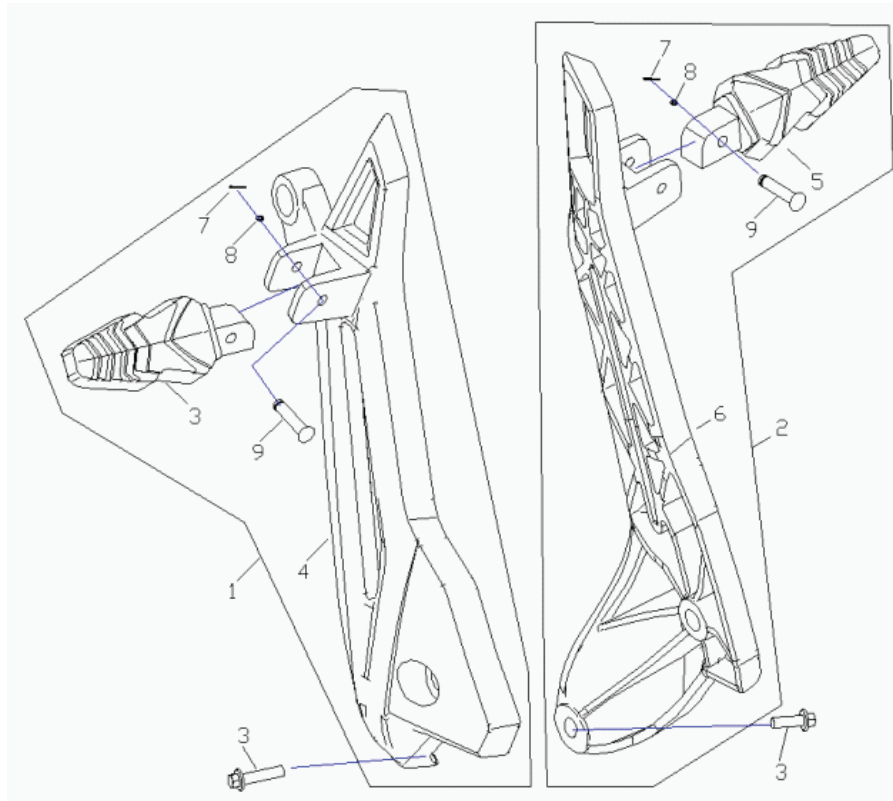
Ref. No.	Part No	Description	Qty
			H
1	32200-H0E5-010002	MAIN BRACKET	1
2	32281-H206-000001	SHAFT MAIN BRACKET	1
3	32204-H206-0100Q	DAMPING PAD MAIN BRACKET	1
4	32203-H206-000002	HOOK MAIN BRACKET	1
5	32202-H206-000002	SPRING MAIN BRACKET	1
6	B008940117000001X	CLIP SHAFT	1
7	91301-0170-23021X	WASHER DIA.17X23X1.5	1

FOOT CONTROL PARTS



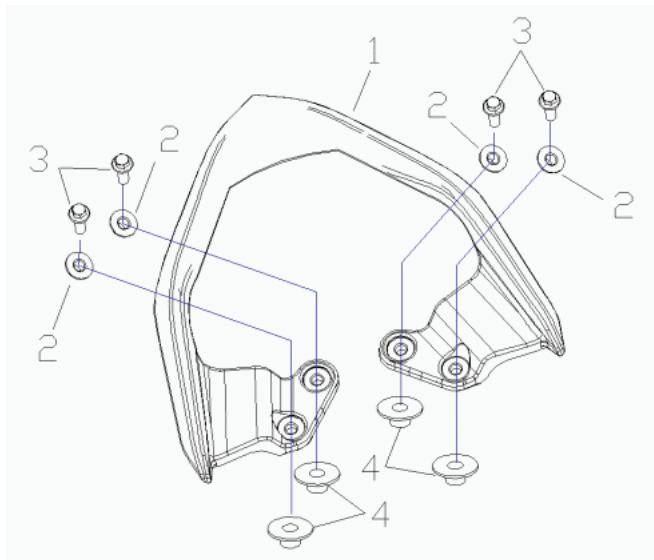
Ref. No.	Part No.	Description	Qty
			H
1	24400-G129-04000GQ	GEAR SHIFT FOOTPEG	1
2	21200-H0E5-000005	STARTING ARM	1
3	B057830006002571X	BOLT M6X25	1
4	84602-H206-000002	SWITCH SPRING REAR BRAKING LAMP	1
5	52100-H259-020002	REAR BRAKING LEVER	1
6	52200-H259-010002	PULL ROD REAR BRAKE	1
7	52105-H0E5-000004	RETURNING REAR BRAKE	1
8	B0009701060000K1X	WASHER 6	1
9	B000910002001601X	OPENING PIN 2X16	1
10	B057830006002071X	BOLT M6X20	1
11	24425-I126-C000	RUBBER BUSH GEAR FOOTPEG ROD	1
12	21208-H259-0000	RUBBER BUSH STARTING ARM	1

REAR PEDAL



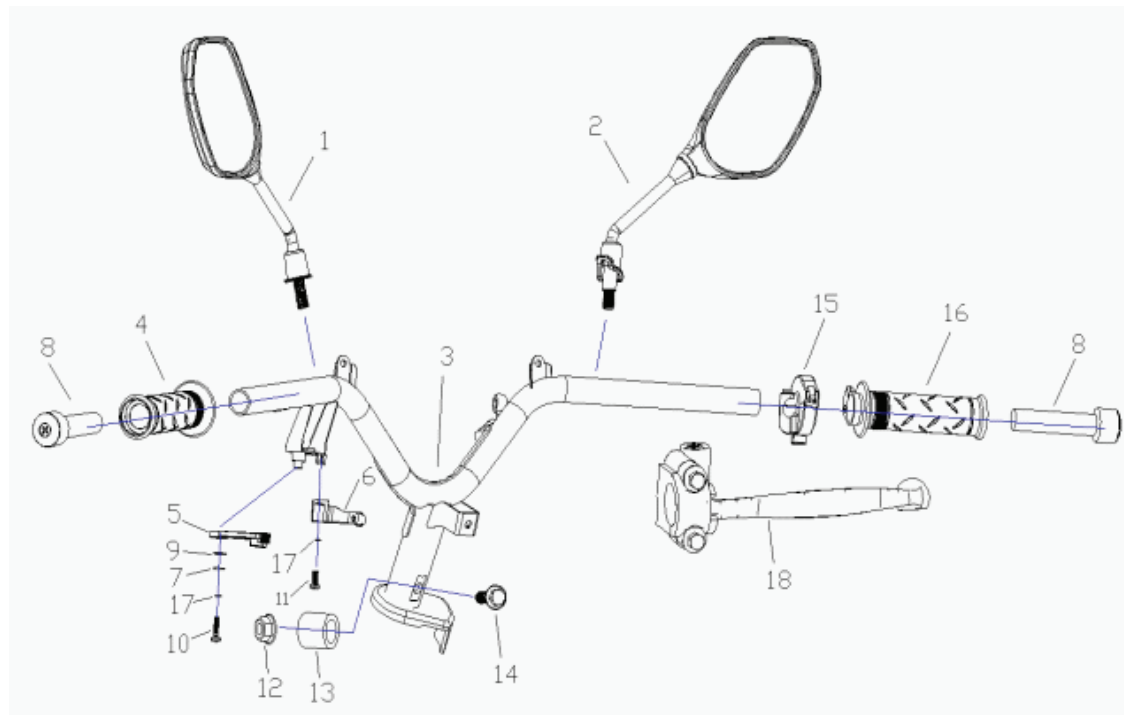
Ref. No.	Part No.	Description	Qty
			H
1	32410-H0E5-050002	LEFT REAR PEDAL ASSY	1
2	32420-H0E5-050002	RIGHT REAR PEDAL ASSY	1
3	B057890008002071X	BOLT M8X20	2
4	32415-H0E5-030001	BRACKET LEFT REAR PEDAL	1
5	32416-H0E5-000002	RUBBER BUSH REAR PEDAL	2
6	32425-H0E5-030001	BRACKET RIGHT REAR FOOTPEG	1
7	B000910002001601X	OPENING PIN 2X16	2
8	B0009701060000K1X	WASHER 6	2
9	32471-H870-C00001	PIN SHAFT	2

REAR ARMREST



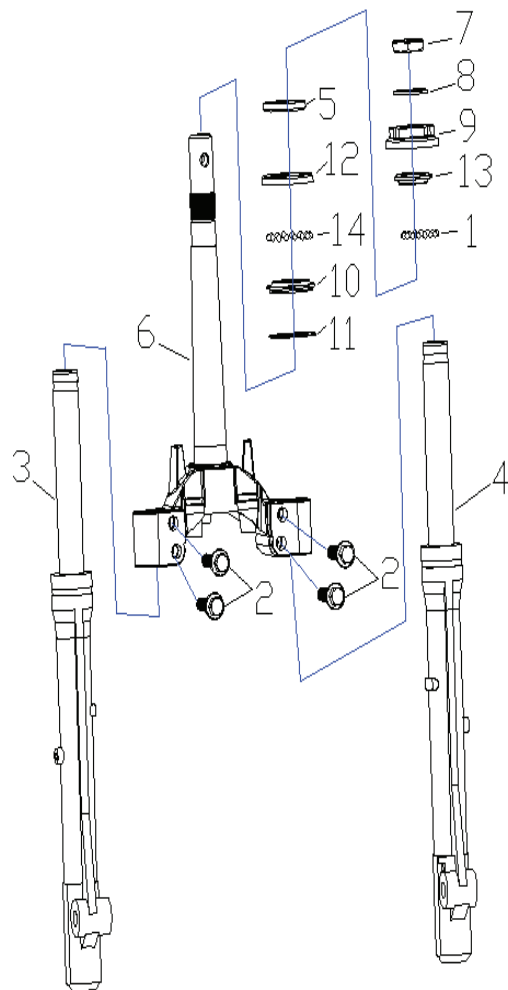
Ref. No.	Part No.	Description	Qty
			H
1	42200-H418-010002	GROUPWARE REAR ARMREST	1
2	B0009701080000K1X	PLANE PAD	4
3	B0578900080040T1X	BOLT M8X40	4
4	91302-9080-24091X	FLANGED WASHER 8.5X23X12	4

HANDLEBAR/REAR VIEW MIRROR



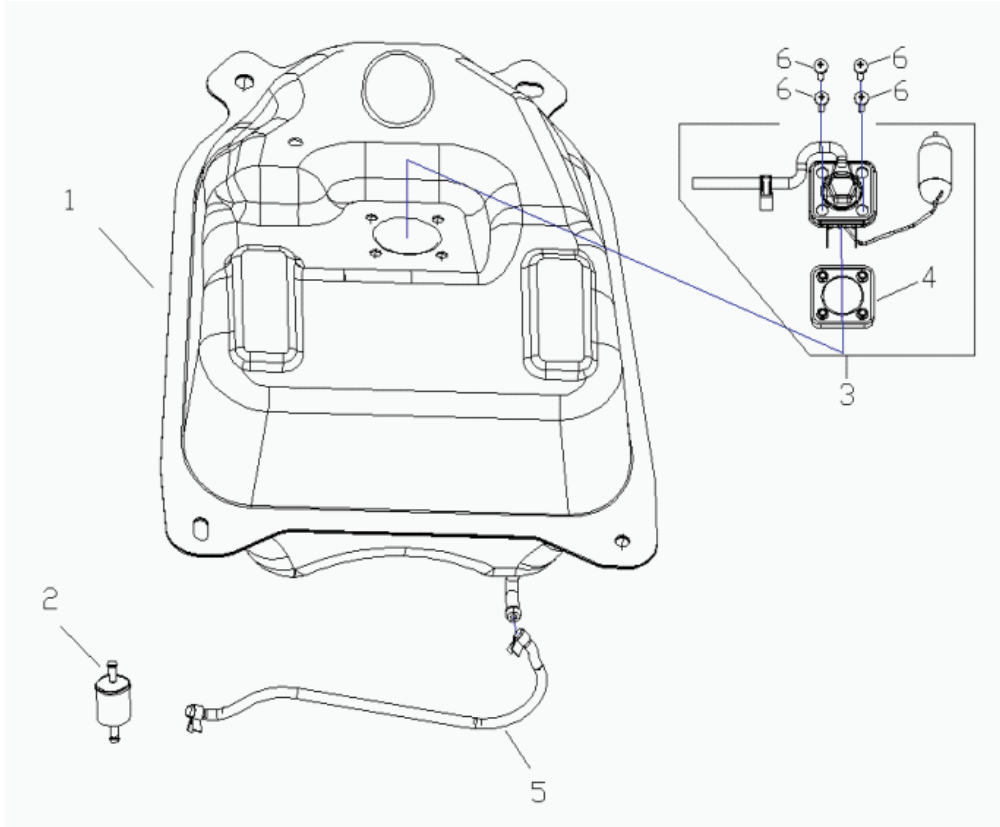
Ref. No.	Part No.	Description	Qty
			H
1	69110-H0P8-00001	LEFT REAR VIEW MIRROR	1
2	69120-H0P8-00001	RIGHT REAR VIEW MIRROR	1
3	72100-H0E5-010001	TUBE, STEERING HANDLEBAR	1
4	72010-H206-0100Q	RUBBER BUSH, LEFT HANDLEBAR	1
5	72208-H259-0100Q	HANDLEBAR, CHOKE	1
6	72207-H206-0100Q	BRACKET, CHOKE	1
7	72215-H206-0100Q	SKIDPROOF GASKET, CHOKE	1
8	72032-H0E5-0000Q	DECORATION HEAD PART	2
9	B0009601050000K1X	PLANE PAD 5	1
10	B008180005001621X	SCREW M5X16	1
11	B008180005001221X	SCREW M5X12	1
12	B061870210000061X	NUT M10X1.25	1
13	72118-0000-00001XQ	LOCKING BUSH, STEERING HANDLEBAR TUBE	1
14	B057892010005071X	BOLT M10X1.25X50	1
15	17010-H206-0100Q	FIXING SEAT, OILER	1
16	72020-H206-0100Q	RUBBER BUSH ASSEMBLY RIGHT HANDLEBAR	1
17	B000930005000001X	SPRING WASHER 5	1

STREERING STEM/FRONT ABSORBER



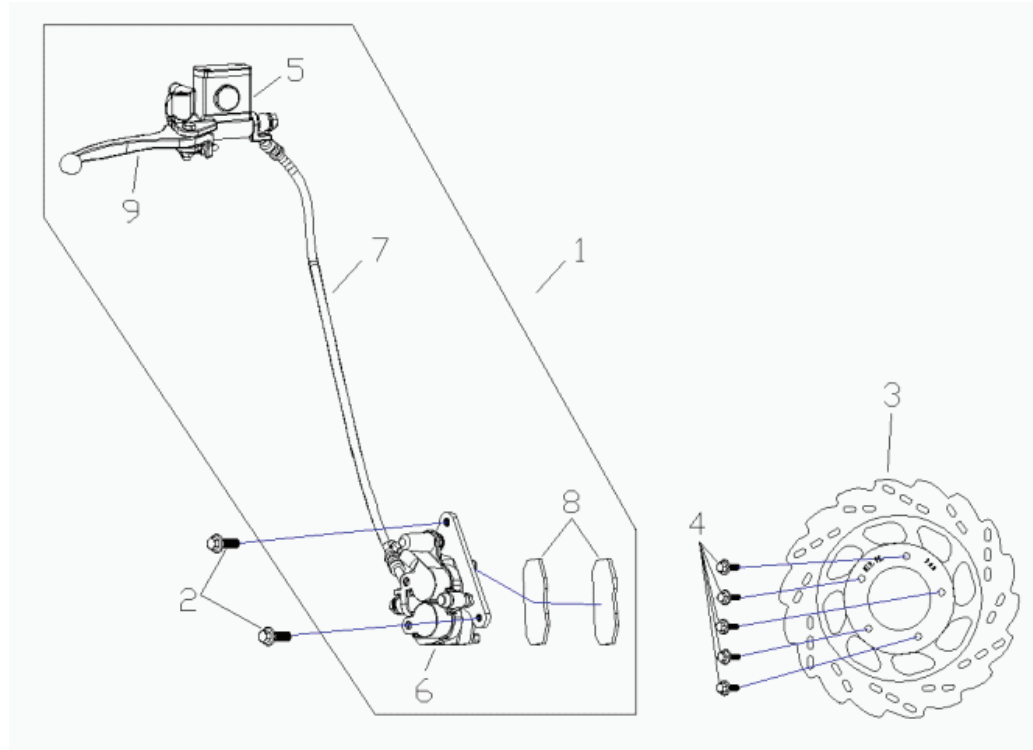
Ref. No.	Part No.	Description	Qty
			H
1	71208-H418-0000	UPPER RETAINING BRACKET	1
2	B057892010004571X	BOLT 10X1.25X45	4
3	34100-H670-030069Q	LEFT FRONT ABSORBER	1
4	34200-H670-030069Q	RIGHT FRONT ABSORBER	1
5	71202-G124-0000	LOWER CHECK BEARING 34	1
6	7110A-H259-000065	STEERING POST ASSY	1
7	71106-H206-00001XQ	LOCK NUT STEERING POST	1
8	71135-H206-00001XQ	CLIP RING STEERING ROD	1
9	71105-H206-00001XQ	ADJUSTING NUT STEERING POST	1
10	71204-G124-0000	LOWER SEAT BEARING 54	1
11	71123-H206-00001XQ	PLANE WASHER	1
12	71201-G124-0000	UPPER CHECK RING BEARING 26	1
13	71203-G124-0000	UPPER SEAT RING BEARING 45	1
14	71209-H418-0000	LOWER RETURNING BRACKET	1

FUEL TANK



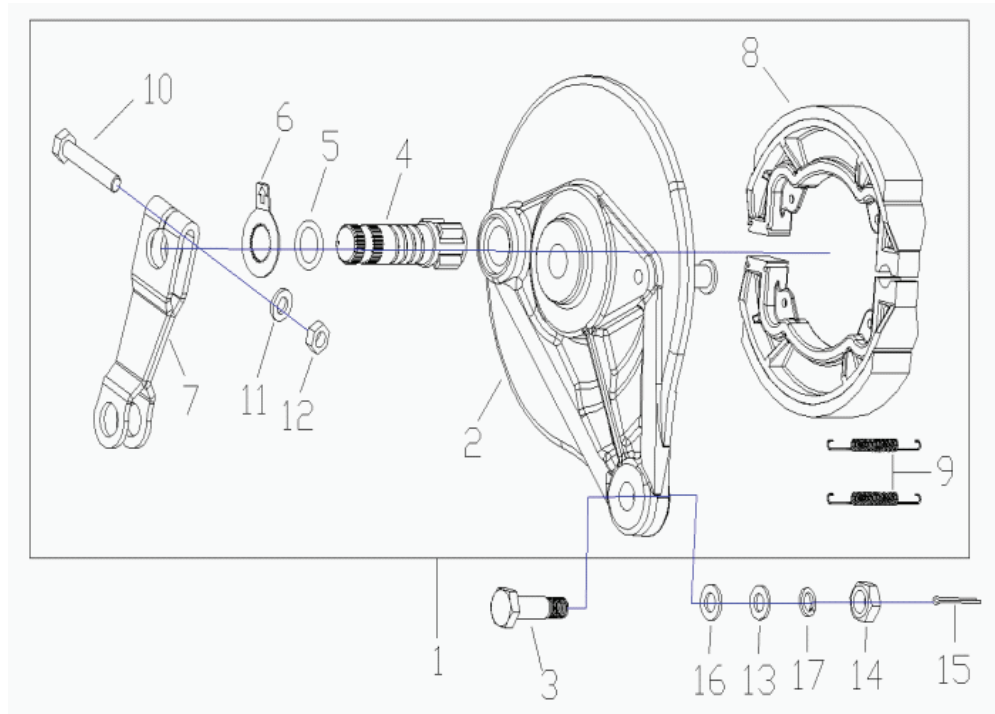
Ref. No.	Part No.	Description	Qty
			H
1	61100-H670-020001	FUEL TANK	1
2	61180-0000-050001	FUEL FILTER	1
3	87200-H670-0000	FUEL SENSOR	1
4	87201-H418-000002	SEAL RING SENSOR	1
5	613140650ZGT0000XQ	COMPOUND FUEL PIPE DIA.4X8X650	1
6	9A113-1050-01471X	SCREW M5X14	4

FRONT BRAKE



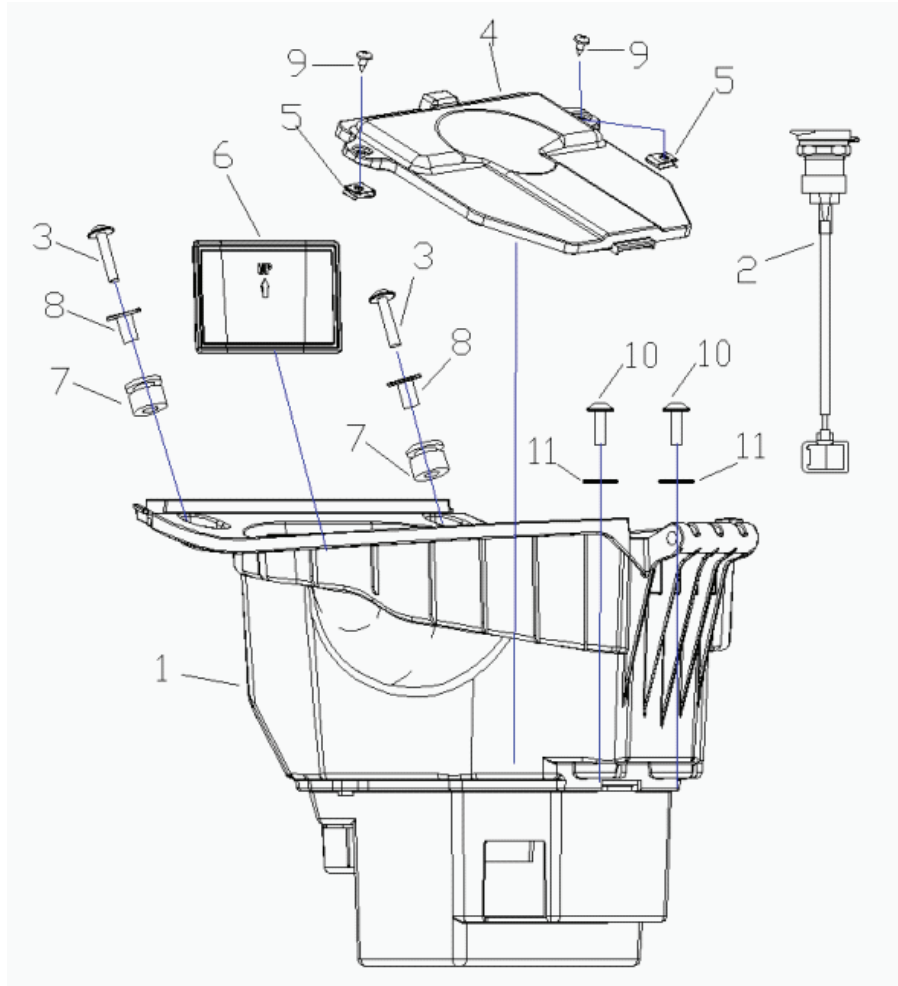
Ref. No.	Part No.	Description	Qty
			H
1	53000-H418-030001	FRONT DISC BRAKE ASSY	1
2	B166740108002571X	BOLT M8X25	2
3	53001-H418-010063	FRONT BRAKE DISC	1
4	B166740106001671X	BOLT M6X16	5
5	53012-H418-0000	UPPER PUMP, FRONT DISC BRAKE	1
6	53014-H418-0000	LOWER PUMP, FRONT DISC BRAKE	1
7	53002-H418-0000	OIL PIPE, FRONT DISC BRAKE	1
8	53013-H418-C300	FRONT DISC BRAKE FRICTION DISK	1
9	72309-H418-C000	BRAKE HANDLE	1

REAR BRAKE



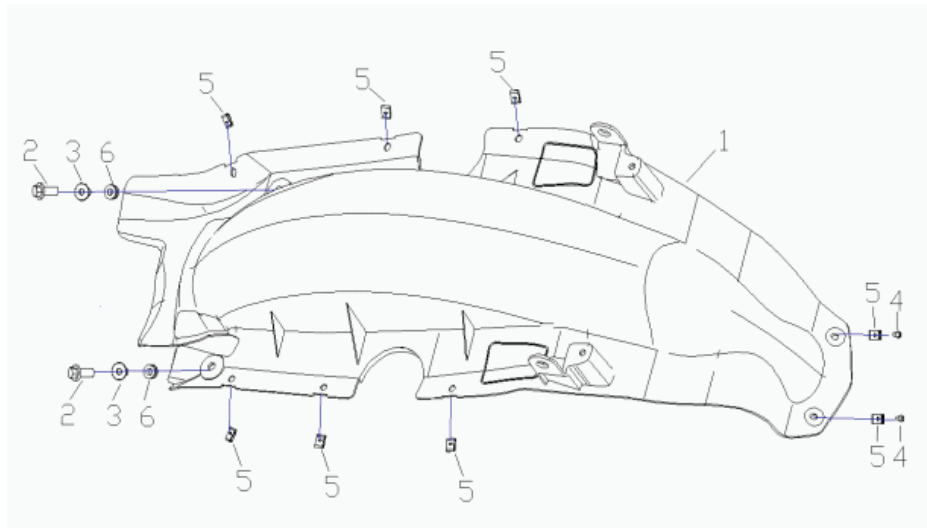
Ref. No.	Part No.	Description	Qty
			H
1	54200-H206-060004	REAR BRAKE	1
2	54205-H206-000001	CAP REAR BRAKE	1
3	91113-1080-13371X	STEP BOLT	1
4	54209-H206-00001X	CAM REAR BRAKE	1
5	54141-H206-0000	FELT FRONT BRAKE	1
6	54208-H206-00001X	INDICATING REAR BRAKE	1
7	54207-H206-00001X	PULLING ARM REAR BRAKE	1
8	54220-H206-0200	PAD REAR BRAKE ASSY	2
9	54201-H206-0000	PAD SPRING REAR BRAKE	2
10	B057820006003571X	BOLT M6X35	1
11	B0009701060000K1X	WASHER 6	1
12	B061770106000061X	NUT M6	1
13	91301-0080-20021X	WASHER 8	1
14	B061700008000061X	NUT M8	1
15	B000910002001601X	OPENING PIN 2X16	1
16	9131B-0000-0300Q	RUBBER PLANE PAD	1
17	B000930008000001X	SPRING WASHER 8	1

MIDDLE GOODS CASE



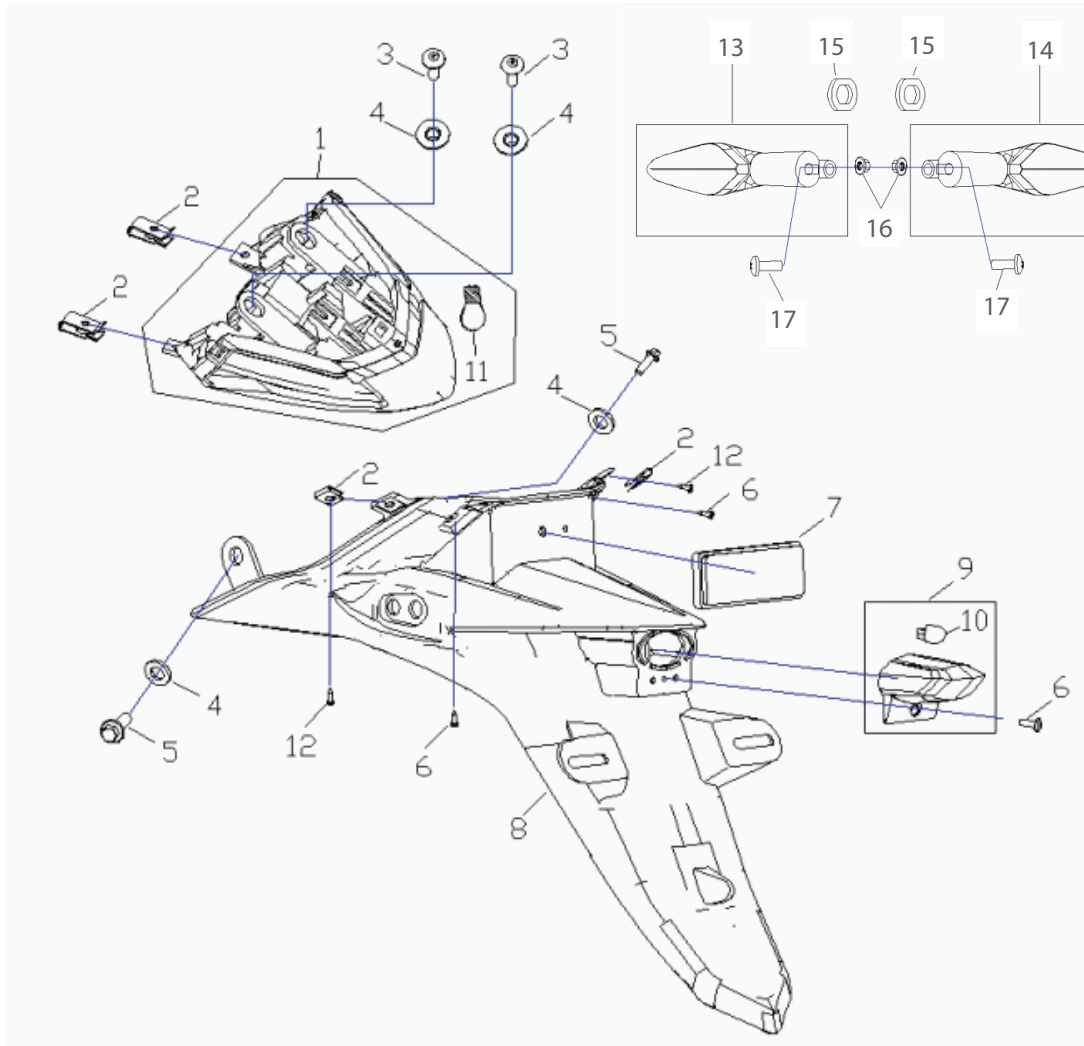
Ref. No.	Part No.	Description	Qty
			H
1	42600-H670-0000	MIDDLE GOODS CASE	1
2	82400-0000-0200	USB INTERFACE	1
3	B166740106003071X	BOLT M6X30	2
4	42603-H0E5-000002	CAP, MIDDLE GOOD CASE	1
5	91205-1042-017T1X	CLIP ST4.2X17X11	2
6	62308-H670-0000	CAP, FRAME NUMBER	1
7	42424-H670-0000Q	LOWER RUBBER PAD, SUNDRIES BOX	2
8	91302-9060-20161X	FLANGED WASHER DIA.6.5XDIA.20X18	2
9	9A133-1042-013X1X	SCREW ST4.2X13	2
10	B057890006001671X	BOLT M6X16	2
11	B0009601060000K1X	WASHER 6	2

FRONT PART, REAR FENDER



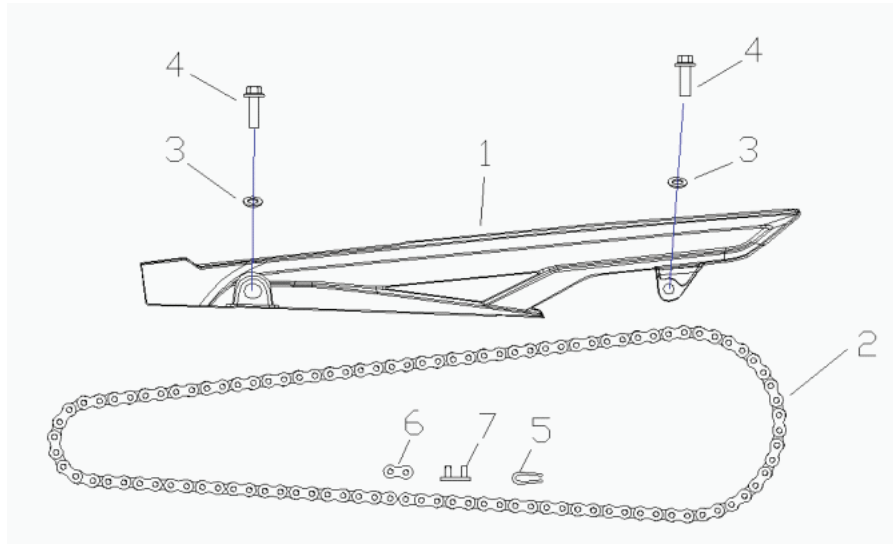
Ref. No.	Part No.	Description	Qty
			H
1	63201-H418-0000	FRONT PART, REAR FENDER	1
2	B166740106001671X	BOLT M6X16	2
3	91302-9060-18061X	FLANGED WASHER DIA.6X18-7	2
4	9A133-1042-013X1X	SCREW ST4.2X13	2
5	91205-1042-017T1X	CLIP ST4.2-17X11	8
6	6222B-0000-1200Q	RUBBER PAD DIA.8.5X12X17-2.5+3+2.5	2

REAR PART,REAR FENDER, TURNING LAMP REAR



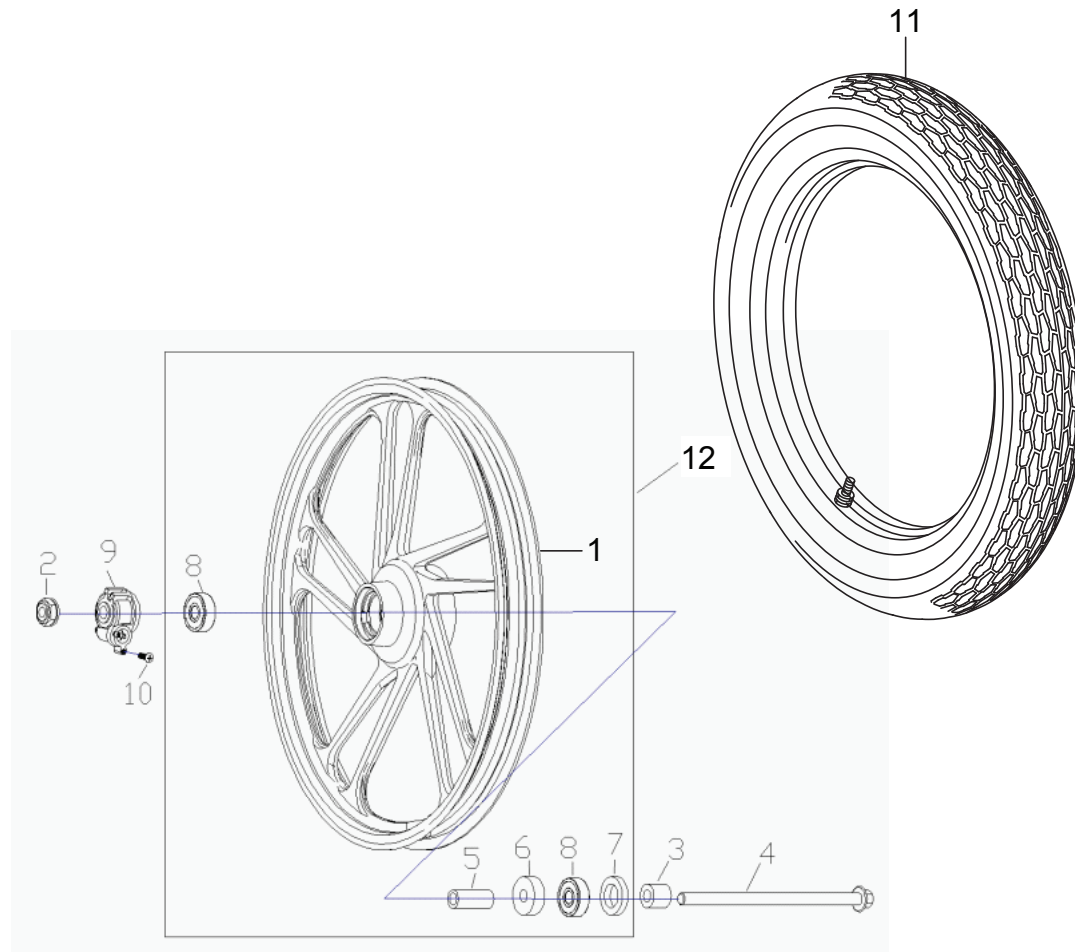
Ref. No.	Part No.	Description	Qty
			H
1	86200-H418-C10002	REAR LAMP ASSY	1
2	91205-1042-017T1X	CLIP ST4.2X17	4
3	9A113-1060-01671X	SCREW M6X16	2
4	B0009601060000K1X	WASHER 6	4
5	B057890006001271X	BOLT M6X12	2
6	9A133-1042-013X1X	SCREW ST4.2X13	3
7	85830-M154-000003	REFLECTOR REAR	1
8	63202-H418-0000	REAR PART REAR FENDER	1
9	86700-J0A2-000002	REAR LICENSE PLATE LAMP	1
10	86720-0000-0200	BULB LICENSE PLATE	1
11	86260-0000-C270	BULB REAR LAMP	1
12	9A133-1042-016X1X	SCREW ST4.2X16	2
13	86500-H0E5-010002	LEFT TURNING LAMP REAR	1
14	86600-H0E5-010002	RIGHT TURNING LAMP REAR	1
15	86800-B1P6-000002	TO LOCATE BLOCK	2
16	B061770106000061X	NUT M6	2
17	B166740106001671X	BOLT M6X16	2

CHAIN CASE / CHAIN



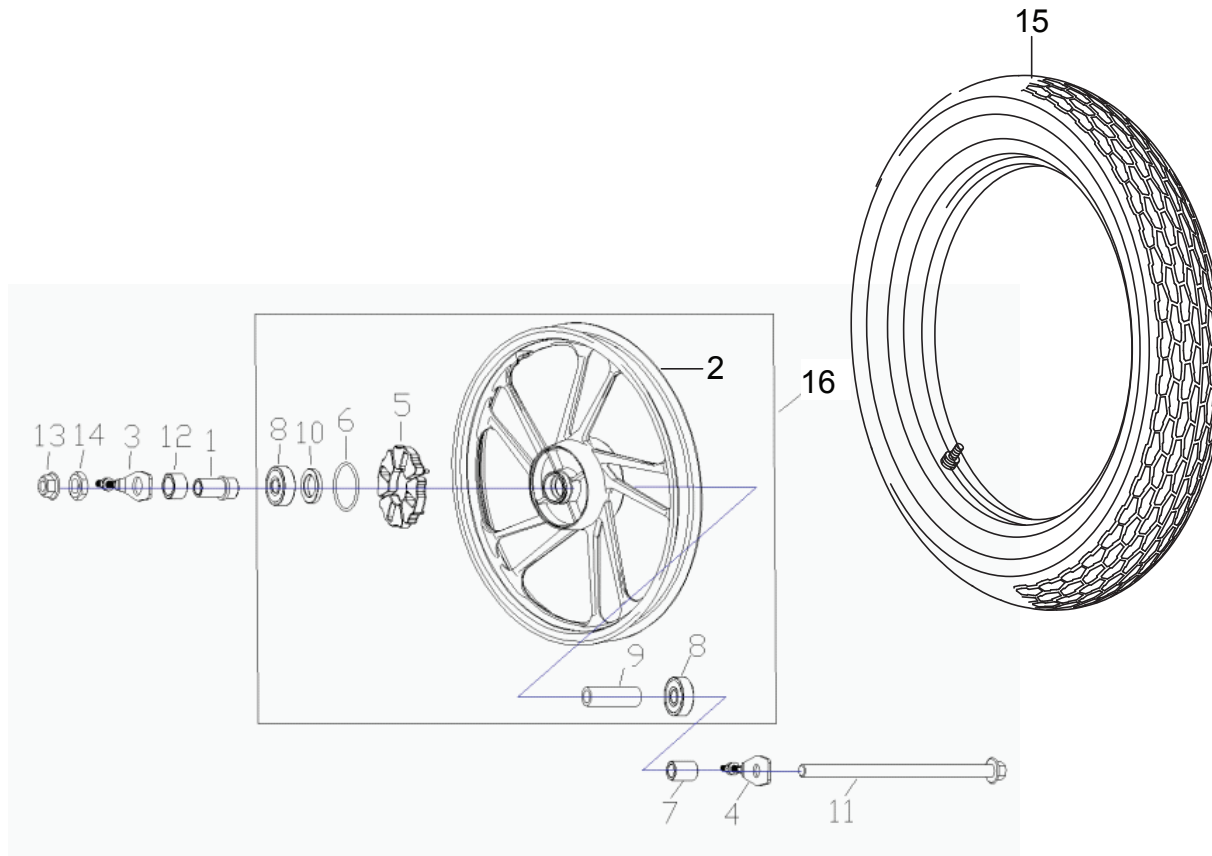
Ref. No.	Part No.	Description	Qty
			H
1	35110-H670-0000	UPPER CHAIN CASE	1
2	26400-4280-0100Q	CHAIN 428X100	1
3	B0009601060000K1X	WASHER 6	2
4	B057890006001271X	BOLT M6X12	2
5	26412-0000-000000	CHAIN CLIP	1
6	26413-0000-000000	CHAIN PRESSURE BOARD	1
7	26411-0000-000000	CONNECTING END CHAIN (S)	1

FRONT ALUMINIUM WHEEL / FRONT-TYRE



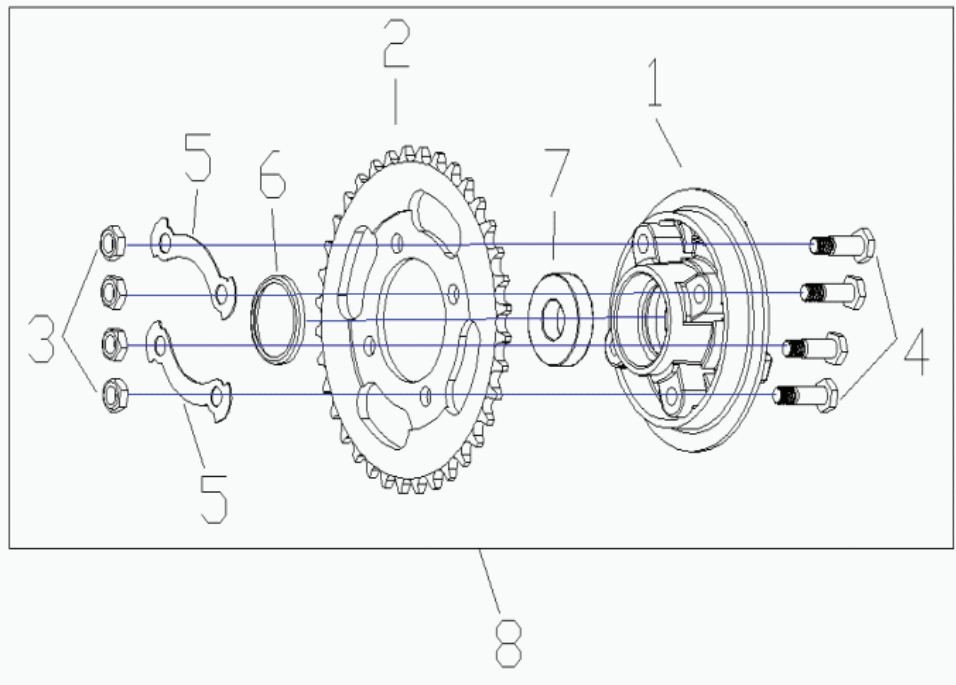
Ref. No.	Part No.	Description	Qty
			H
1	41025-519-0048	RIM FRONT 1.40X17	1
2	B061870210000061X	LOCK NUT M10X1.25	1
3	51102-H259-030002	RIGHT BUSH FRONT WHEEL	1
4	51181-H206-000002	AXLE FRONT WHEEL	1
5	51117-0000-70001X	INNER BUSH HUB	1
6	51108-0000-0400	FRONT WHEEL SUPPORTING RING	1
7	51116-0000-2600	OIL SEAL, HUB 20X37X7	1
8	92102-0006301-2RS	BEARING 6300-2RS	2
9	87330-H206-000069Q	SPEED COUNTER	1
10	B008200005002021X	SCREW M5X20	1
11	41008-519-0021	TYRE-ASSY-FRONT	1
12	41073-519-0040	WHEEL-RIM-ASSY-FRONT	1

REAR ALUMINIUM WHEEL / REAR-TYRE



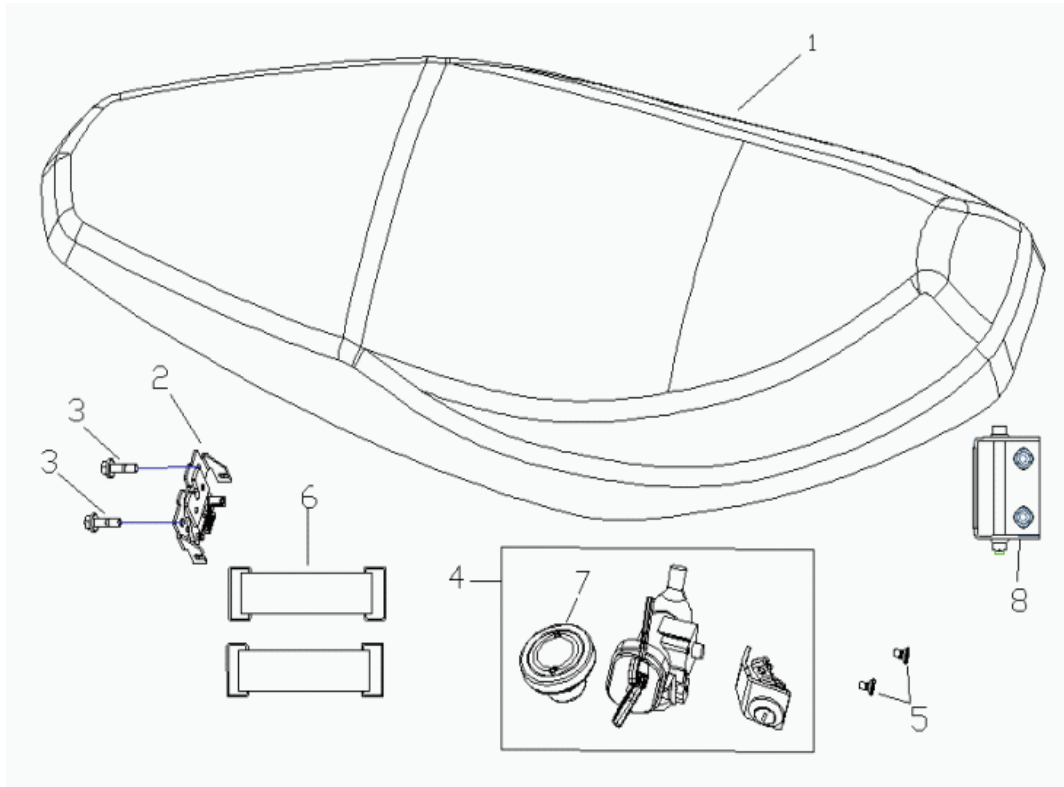
Ref. No.	Part No.	Description	Qty
			H
1	55008-H206-000001	SPROCKET BUSH	1
2	41025-519-0049	RIM REAR 1.60X17	1
3	35011-H206-000002	LEFT ADJUSTER CHAIN	1
4	35012-H206-000002	RIGHT ADJUSTER CHAIN	1
5	51218-0000-0100	REAR WHEEL DAMPING BLOCK	4
6	90101-10400000250	O-RING 40.4X2.5X3	1
7	51202-H206-000002	REAR WHEEL BUSH RIGHT	1
8	92102-0006301-2RS	BEARING 6301-2RS	2
9	51117-0000-49000C	INNER BUSH DIA.20X12X55.5 HUB	1
10	51108-0000-0200	FRONT WHEEL SUPPORTING RING	1
11	51281-H206-000003	REAR WHEEL AXLE	1
12	51201-H259-010002	REAR WHEEL BUSH LEF	1
13	B061870212000061X	NUT M12X1.25	1
14	55009-H206-000001	ADJUSTING NUT INNER BUSH BUMPER	1
15	41008-519-0022	TYRE REAR ASSY	1
16	41073-519-0041	WHEEL-RIM-ASSY-REAR	1

BUFFER ASSEMBLY



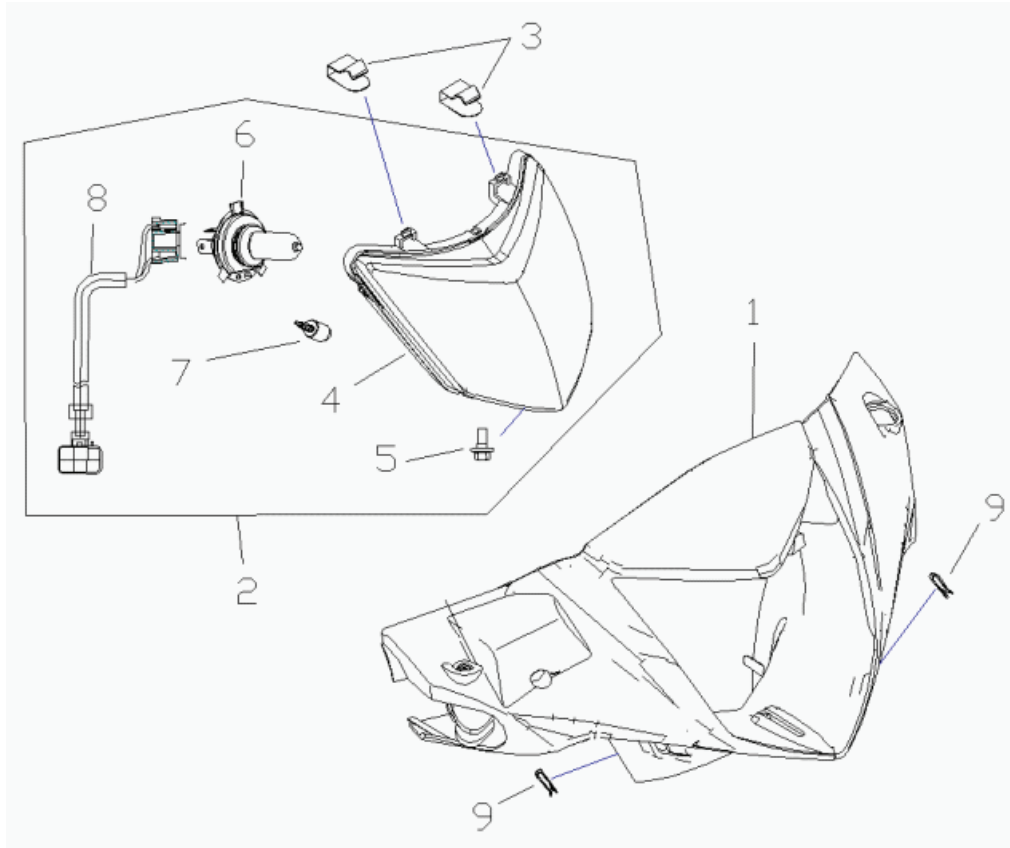
Ref. No.	Part No.	Description	Qty
			H
1	55001-H206-C00066	BUFFER SINGLE	1
2	55002-H206-000001	SPROCKET WHEEL 36T	1
3	B061700008000061C	NUT M8	4
4	B057820008003671C	BOLT M8X36	4
5	55007-H206-000001	LOCK PLATE	2
6	55005-0000-1500	OIL SEAL 26X40X6.5/11 BUFFER	1
7	92102-0006203-2RS	BEARING 6203-2RS	1
8	55000-H199-C20003	BUFFER ASSY 36T	1

SEAT



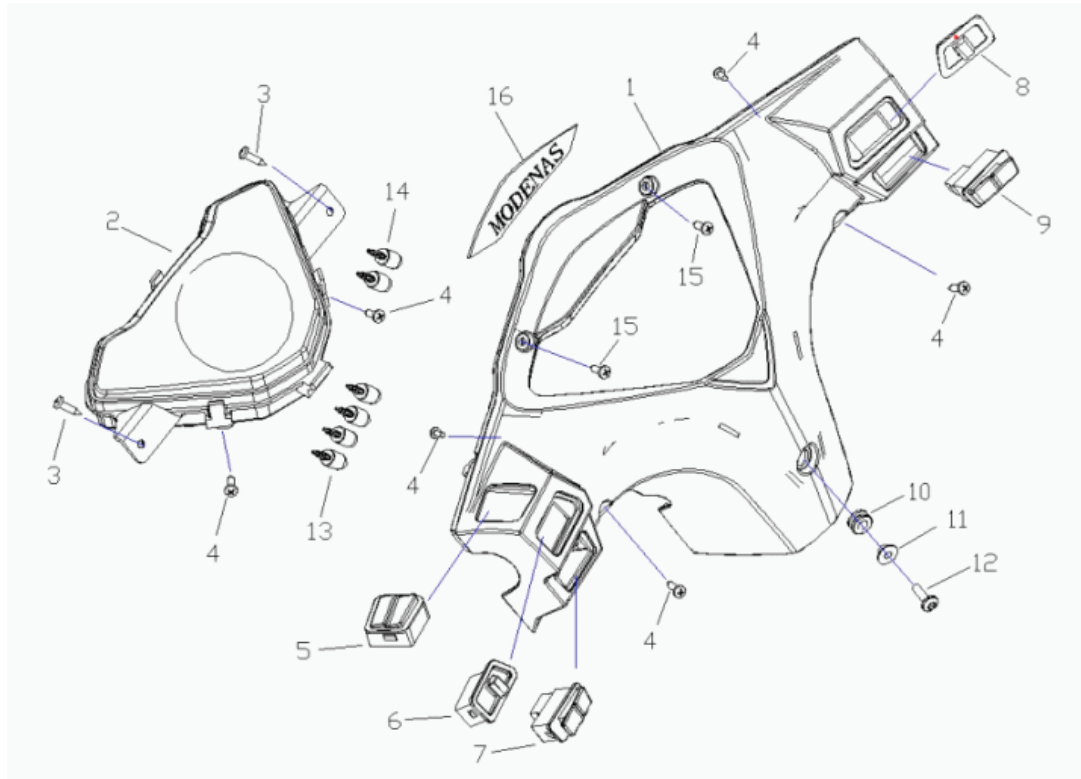
Ref. No.	Part No.	Description	Qty
			H
1	41100-H418-040008	SEATS FOR DOUBLE MEN	1
2	41490-H418-000002	LOCK SEAT	1
3	B057830005001270B	BOLT M5X12	2
4	07002-H418-C20004	VEHICLE LOCK	1
5	B008190106001021X	SCREW M6X10	3
6	31250-I357-0000Q	HOOP TOOL BOX	2
7	61140-G129-00000C	CAP FUEL TANK	1
8	41111-H418-C000	GEMEL, SEAT CUSHION	1

HEADLIGHT / FRONT COVER HANDLE



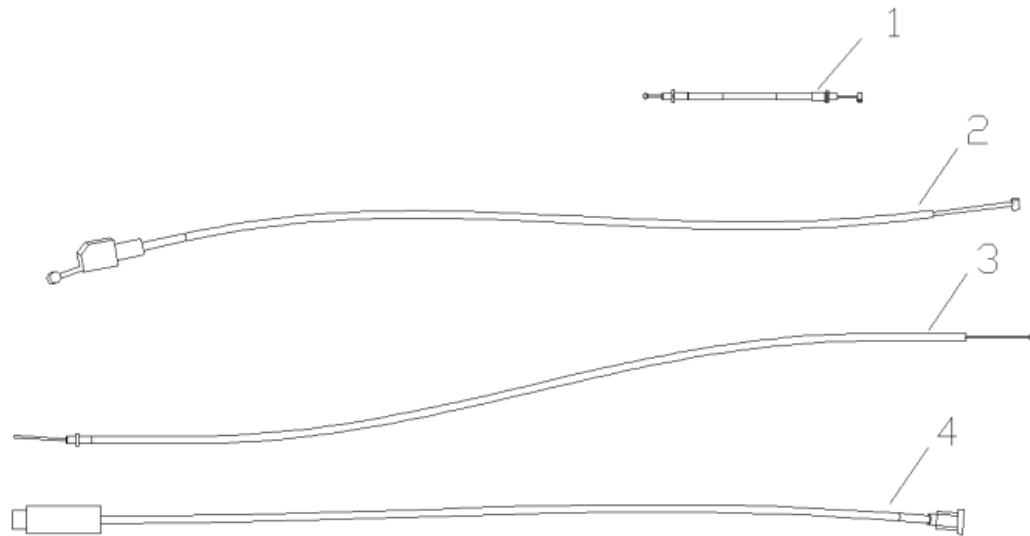
Ref. No.	Part No.	Description	Qty
			H
1	63501-H0E5-000080	SHELL, HEADLIGHT (BLACK)	1
	63501-H0E5-000078	SHELL, HEADLIGHT (RED)	1
	63501-H0E5-000079	SHELL, HEADLIGHT (BLUE)	1
2	86100-H0E5-000001	HEADLIGHT	1
3	93319-0030-024U1X	CLIP 12X24 (R3)	2
4	8610Z-H0E5-0000	REFLECTOR & LAMPSHADE ASSY	1
5	86146-H670-010001	ADJUSTING SCREW	1
6	86160-0000-C490	BULB FRONT LAMP (12V35/25W)	1
7	86112-0000-0000	BULB POSITION LAMP	1
8	86111-H0E5-0000	WIRE, FRONT LAMP	1
9	91205-1042-017T1X	CLIP, SELF TAPPING ST4.2X17	2

METER / REAR COVER HANDLE



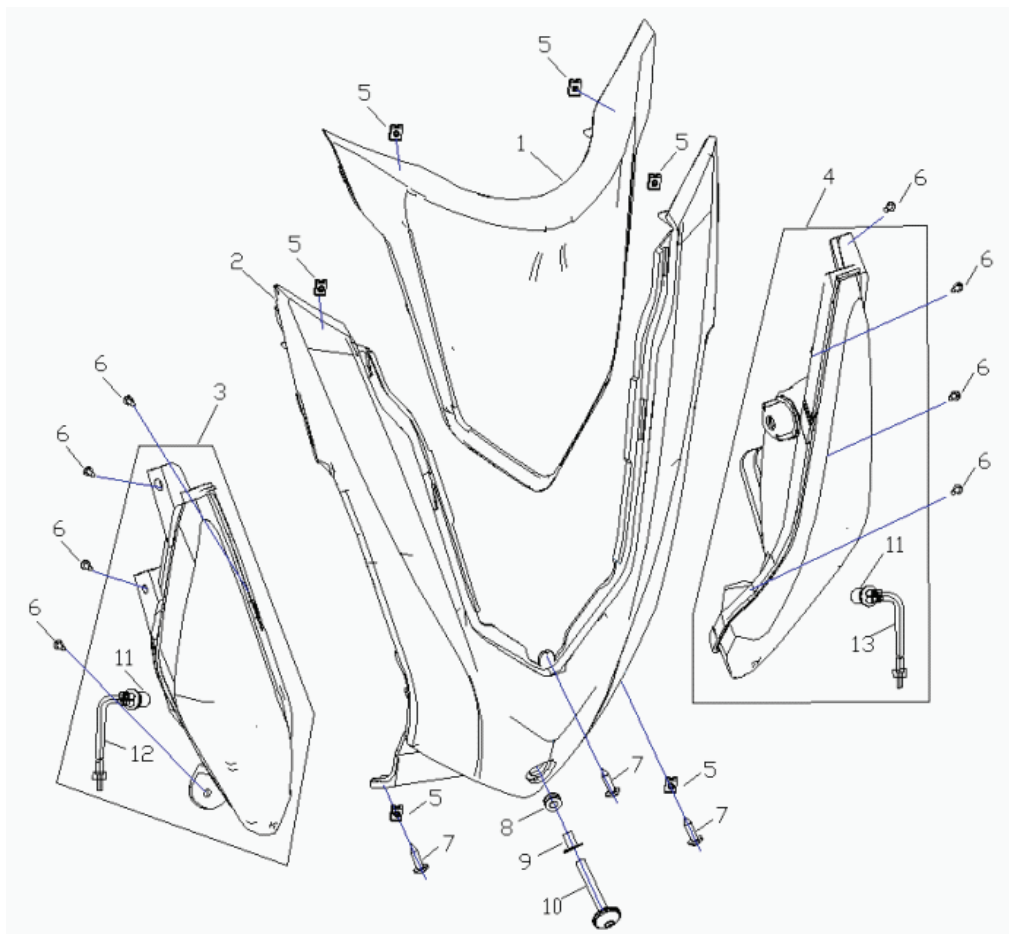
Ref. No.	Part No.	Description	Qty
			H
1	63505-H0E5-0000	SHELL, INSTRUMENT	1
2	87100-H0E5-000009	METER ASSY	1
3	9A133-1042-016X1X	SELF TAPPING SCREW ST4.2X16	2
4	9A133-1042-013X1X	SELF TAPPING SCREW DIA.9/ST4.2X13	10
5	72210-H206-020002	LIGHT SHIFT SWITCH	1
6	72220-H206-020002	SWITCH TURNING LAMP	1
7	72230-H206-030002	SWITCH HORN	1
8	72293-H418-000002	SWITCH ILLUMINATOR	1
9	72270-H206-030002	ELECTRIC STARTING SWITCH	1
10	6222B-0000-1200Q	H SHAPE RUBBER WASHER 8.5X12X17-2.5+3+2.5	1
11	91302-9060-18061X	FLANGED WASHER 6X18-7	1
12	9A131-1050-01671X	SCREW 11/M5X16	1
13	87123-0000-0300	BULB METER 12V/1.7W	4
14	87123-0000-0400	BULB METER 12V3W	2
15	9A133-1039-013X1X	SCREW ST3.9X13	2
16	63020-H0E5-000002	LABEL, FRONT WIND COVER	1

CONTROL CABLE



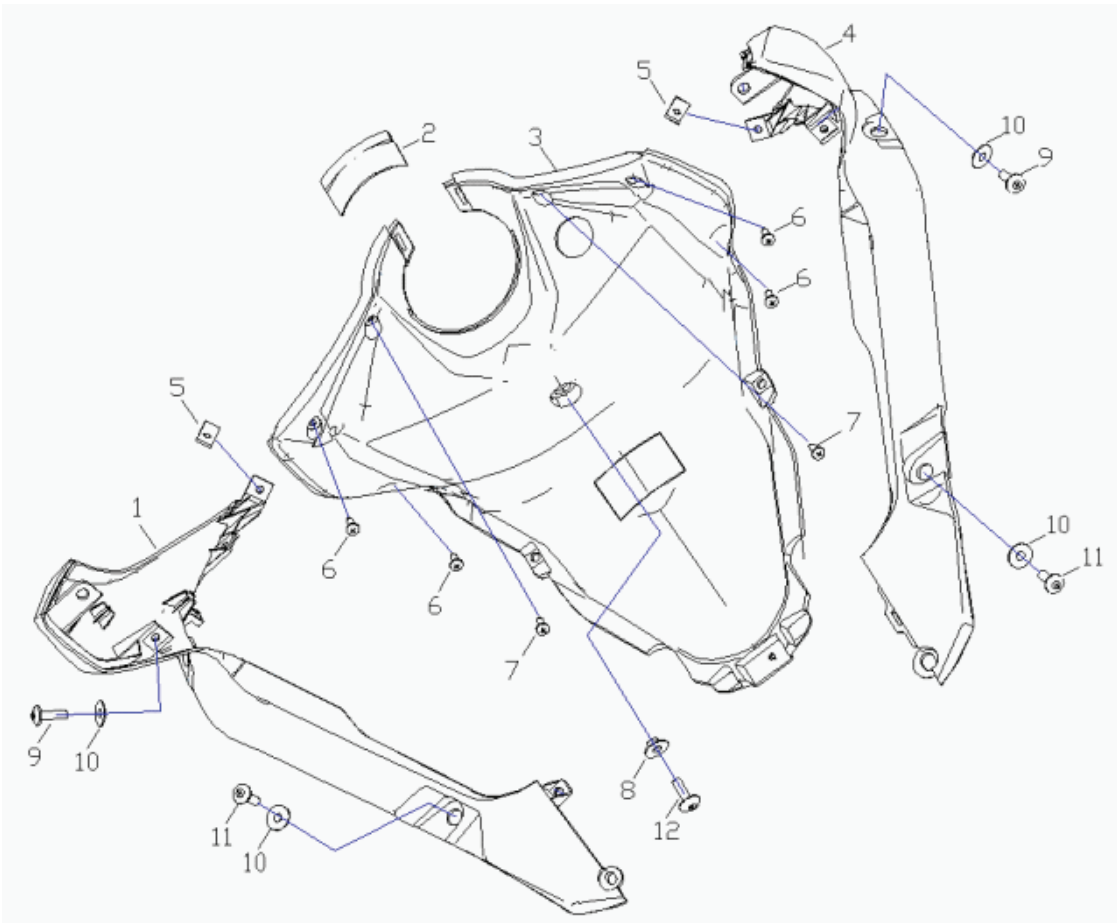
Ref. No.	Part No.	Description	Qty
			H
1	72900AZZ03501401CQ	CABLE, SEAT LOCK	1
2	72700CZZ06206101CQ	CABLE, CHOKE	1
3	72400DWZ09706451CQ	CABLE, THROTTLE	1
4	87300DZZ32109701C	CABLE, ODOMETER	1

FRONT WIND COVER/FRONT TURNING LIGHT



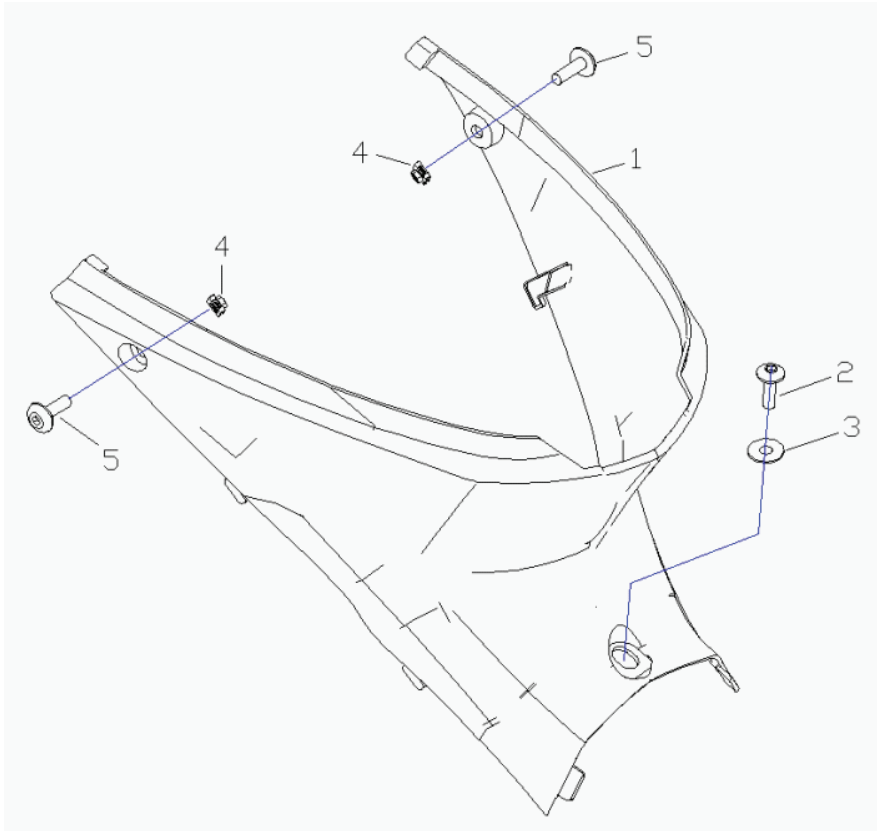
Ref. No.	Part No.	Description	Qty
			H
1	62307-H418-020205	DECO PARTS FRONT WIND COVER	1
2	62301-H418-000393	FRONT WIND COVER (BLACK)	1
	62301-H418-000392	FRONT WIND COVER (BLUE)	1
	62301-H418-000391	FRONT WIND COVER (RED)	1
3	86300-H418-0000Q	RIGHT TURNING LAMP, FRONT	1
4	86400-H418-0000Q	LEFT TURNING LAMP, FRONT	1
5	91205-1042-017T1X	SELF TAPPING CLIP ST4.2X17	6
6	9A133-1042-010X0X	SCREW ST4.2X10	8
7	9A133-1042-013X1X	SCREW DIA.9/ST4.2X13	3
8	6222B-0000-1200Q	RUBBER WASHER DIA.8.5X12X17-2.5+3+2.5	1
9	91302-9060-18061X	FLANGED WASHER DIA.6X18-7	1
10	9A113-1060-01671X	SCREW M6X16	1
11	86340-0000-0300	BULB TURNING LAMP 12V10W	2
12	86450-H418-000001	CABLE ASSY FRONT RIGHT TURNING LAMP	1
13	86350-H418-000001	CABLE ASSY FRONT LEFT TURNING LAMP	1

PROTECTING BOARD, CENTRAL FRONT



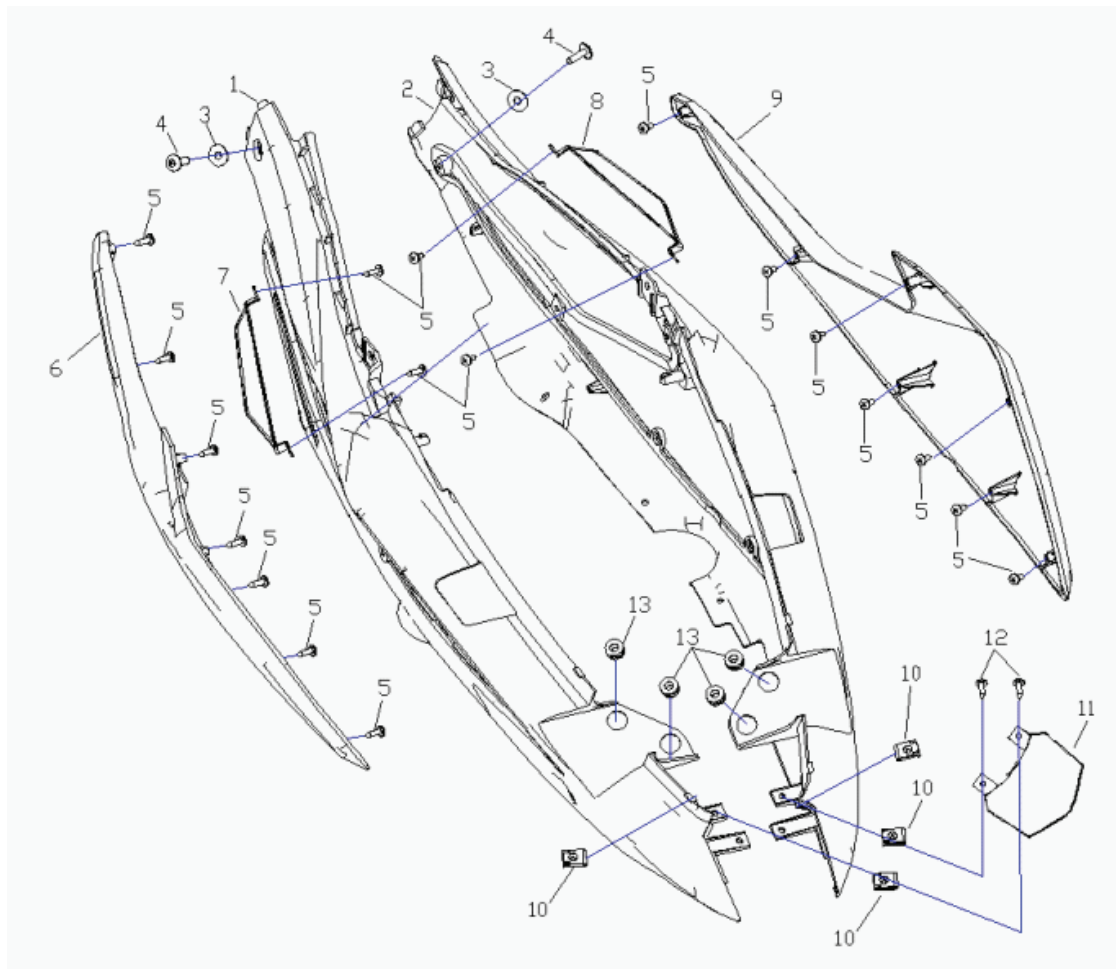
Ref. No.	Part No.	Description	Qty
			H
1	62402-H418-000523	EXTERNAL BOARD, LH WIND BOARD (BLACK)	1
	62402-H418-000522	EXTERNAL BOARD, LH WIND BOARD (BLUE)	1
	62402-H418-000521	EXTERNAL BOARD, LH WIND BOARD (RED)	1
2	62203-H418-0000	DEC. BLOCK, CENTRALPROTECTING BOARD	1
3	62209-H418-0000	PROTECTING BOARD, CENTRAL FRONT	1
4	62403-H418-000523	EXTERNAL BOARD, RH WIND BOARD (BACK)	1
	62403-H418-000522	EXTERNAL BOARD, RH WIND BOARD (BLUE)	1
	62403-H418-000521	EXTERNAL BOARD RH WIND BOARD (RED)	1
5	91205-1042-017T1X	CLIP SELF TAPPING ST4.2X17	2
6	9A133-1042-013X1X	SCREW DIA.9/ST4.2X13	4
7	9A133-1042-016X1X	SCREW ST4.2X16	2
8	91302-9060-18061X	FLANGED WASHER DIA.6X18-7	1
9	9A113-1060-02571X	SCREW M6X25	2
10	B0009601060000K1X	WASHER 6	4
11	9A113-1060-02071X	SCREW M6X20	3
12	9A113-1060-01671X	SCREW M6X16	1

PROTECTING BOARD, CENTRAL REAR



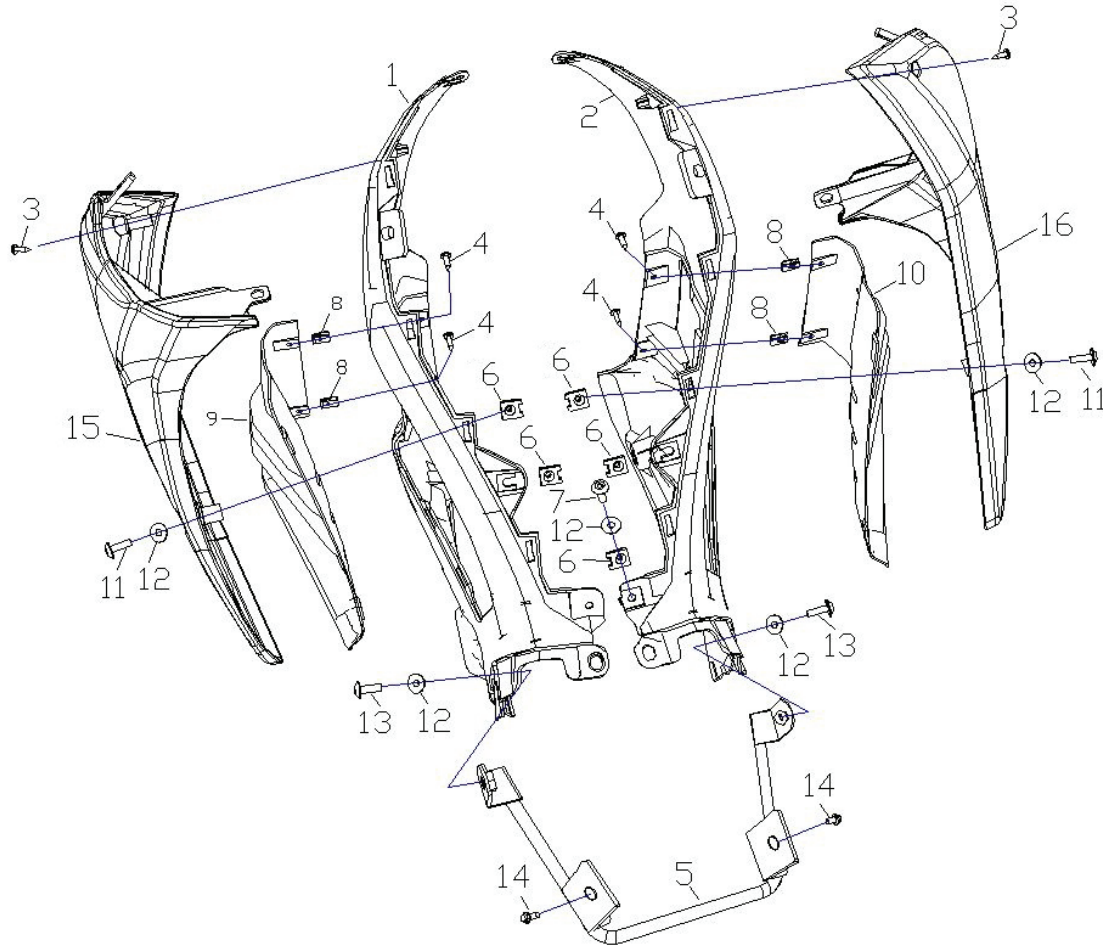
Ref. No.	Part No.	Description	Qty
			H
1	62218-H418-00087	PROTECTING BOARD CENTRAL REAR	1
2	9A113-1060-01671X	SCREW M6X16	1
3	B0009601060000K1X	WASHER 6	1
4	91218-1060-022T0U	CLIP M6X22.3X15	2
5	9A113-1060-01671X	SCREW M6X16	2

VEHICLE CAP



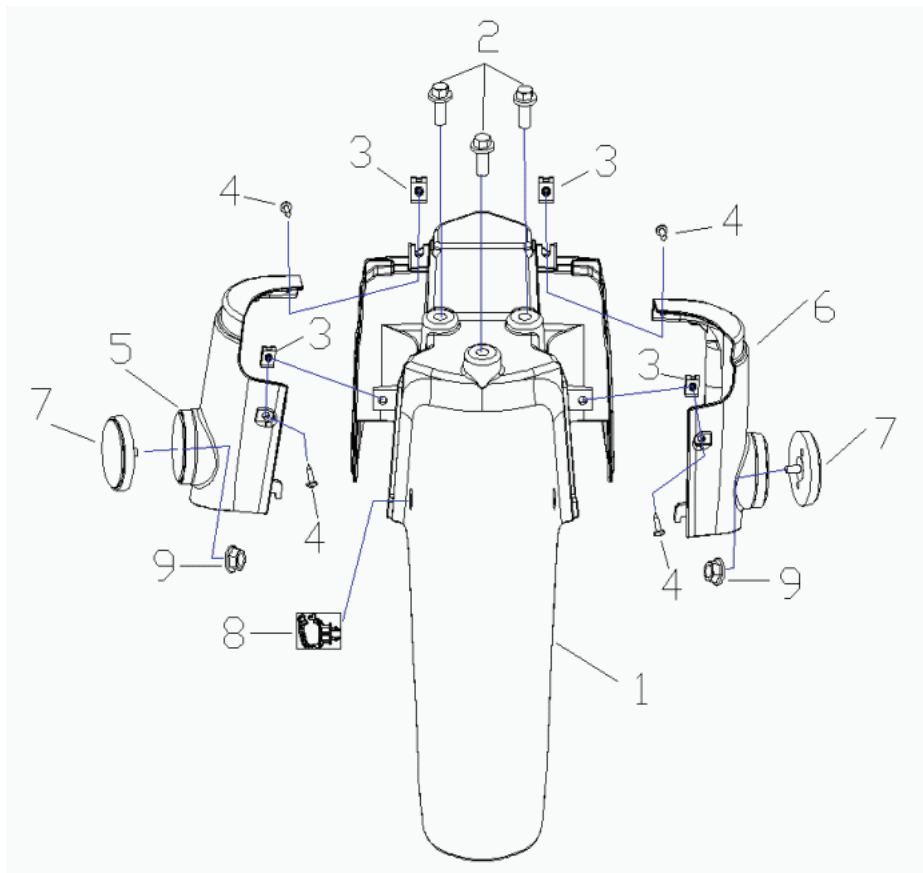
Ref. No.	Part No.	Description	Qty
			H
1	63341-H418-000412	CAP, VEHICLE LH PART (BLACK)	1
	63341-H418-000411	CAP, VEHICLE LH PART (BLUE)	1
	63341-H418-000410	CAP, VEHICLE LH PART (RED)	1
2	63352-H418-000412	CAP, VEHICLE RH PART (BLACK)	1
	63352-H418-000411	CAP, VEHICLE RH PART (BLUE)	1
	63352-H418-000410	CAP, VEHICLE RH PART (RED)	1
3	B0009601060000K1X	WASHER 6	2
4	9A113-1060-01671X	SCREW M6X16	2
5	9A133-1042-010X0X	SCREW ST4.2X10	18
6	63301-H418-000515	LEFT SIDE CAP (BLACK)	1
	63301-H418-000514	LEFT SIDE CAP (BLUE)	1
	63301-H418-000513	LEFT SIDE CAP (RED)	1
7	6334A-H418-0000	DECORATION BLOCK, LH VEHICLE CAP	1
8	6335A-H418-0000	DECORATION BLOCK, RH VEHICLE CAP	1
9	63332-H418-000515	RIGHT SIDE CAP (BLACK)	1
	63332-H418-000514	RIGHT SIDE CAP (BLUE)	1
	63332-H418-000513	RIGHT SIDE CAP (RED)	1
10	91205-1042-017T1X	CLIP ST4.2X7	4
11	63602-H418-000074	TAIL CAP	1
12	9A133-1042-013X1X	SCREW ST4.2X13	2
13	6222B-0000-2200Q	RUBBER WASHER DAI.13X17X26-3+4+3	4

WIND BOARD



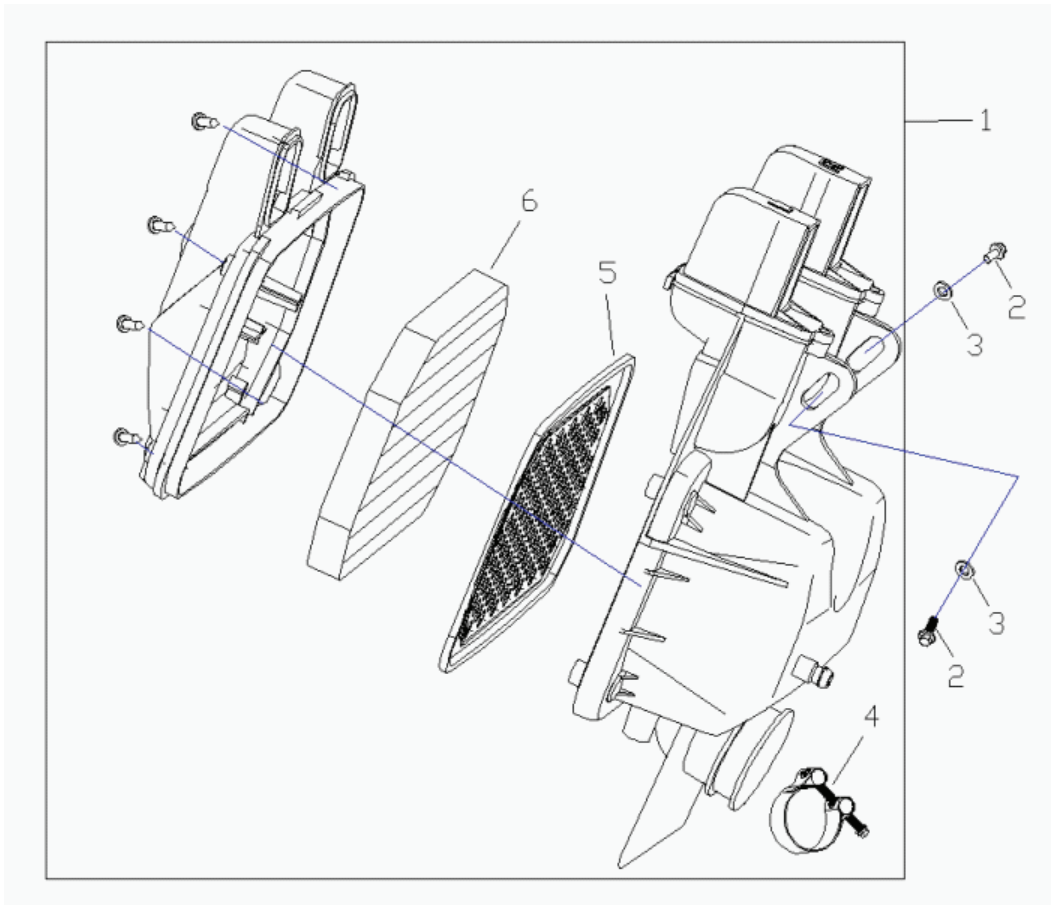
Ref. No.	Part No.	Description	Qty
			H
1	63401-H418-010013	LEFT WIND BOARD (BLACK)	1
	63401-H418-010012	LEFT WIND BOARD (BLUE)	1
	63401-H418-010011	LEFT WIND BOARD (RED)	1
2	63406-H418-010013	RIGHT WIND BOARD (BLACK)	1
	63406-H418-010012	RIGHT WIND BOARD (BLUE)	1
	63406-H418-010011	RIGHT WIND BOARD (RED)	1
3	9A133-1042-040X1X	SCREW ST4.2X40	2
4	9A133-1042-013X1X	SCREW ST4.2X13	4
5	63424-H418-010003	BRACKET WIND BOARD	1
6	91218-1060-022T0U	CLIP M6X22.3X15	5
7	9A113-1060-02571X	SCREW M6X25	1
8	91205-1042-017T1X	CLIP ST4.2X17X11	4
9	63412-H418-0000	DECORATION PARTS LH WIND BOARD	1
10	63413-H418-0000	DECORATION PARTS RH WIND BOARD	1
11	9A113-1060-04070H	SCREW M6X40	2
12	B0009601060000K1X	WASHER 6	5
13	9A113-1060-02571X	SCREW M6X25	4
14	B057890006001671X	BOLT M6X16	2
15	6312F-H418-000019	EXTERNAL BOARD, LH WIND BOARD (BLACK)	1
	6312F-H418-000018	EXTERNAL BOARD, LH WIND BOARD (BLUE)	1
	6312F-H418-000017	EXTERNAL BOARD, LH WIND BOARD (RED)	1
16	6312E-H418-000019	EXTERNAL BOARD, RH WIND BOARD (BLACK)	1
	6312E-H418-000018	EXTERNAL BOARD, RH WIND BOARD (BLUE)	1
	6312E-H418-000017	EXTERNAL BOARD, RH WIND BOARD (RED)	1

FRONT FENDER



Ref. No.	Part No.	Description	Qty
			H
1	63104-H670-000097	FRONT FENDER (BLACK)	1
	63104-H670-000096	FRONT FENDER (BLUE)	1
	63104-H670-000099	FRONT FENDER (RED)	1
2	91112-1060-01771X	BOLT M6X17	3
3	91205-1042-017T1X	CLIP SELF TAPPING ST4.2-17X11	4
4	9A133-1042-013X1X	SELF TAPPING SCREW DIA.ST4.2X13	4
5	63127-H670-000076	LEFT DECO CAP FRONT FENDER (BLACK)	1
	63127-H670-0000KR	LEFT DECO CAP FRONT FENDER (BLUE)	1
	63127-H670-000078	LEFT DECO CAP FRONT FENDER (RED)	1
6	63126-H670-000076	RIGHT DECO CAP, FRONT FENDER (BLACK)	1
	63126-H670-0000KR	RIGHT DECO CAP, FRONT FENDER (BLUE)	1
	63126-H670-000078	RIGHT DECO CAP, FRONT FENDER (RED)	1
7	85850-M154-010002	SIDE REFLECTOR	2
8	63111-H418-0000Q	WIRE PROTECTING RING	2
9	B061770106000061X	NUT M6	2

AIR CLEANER

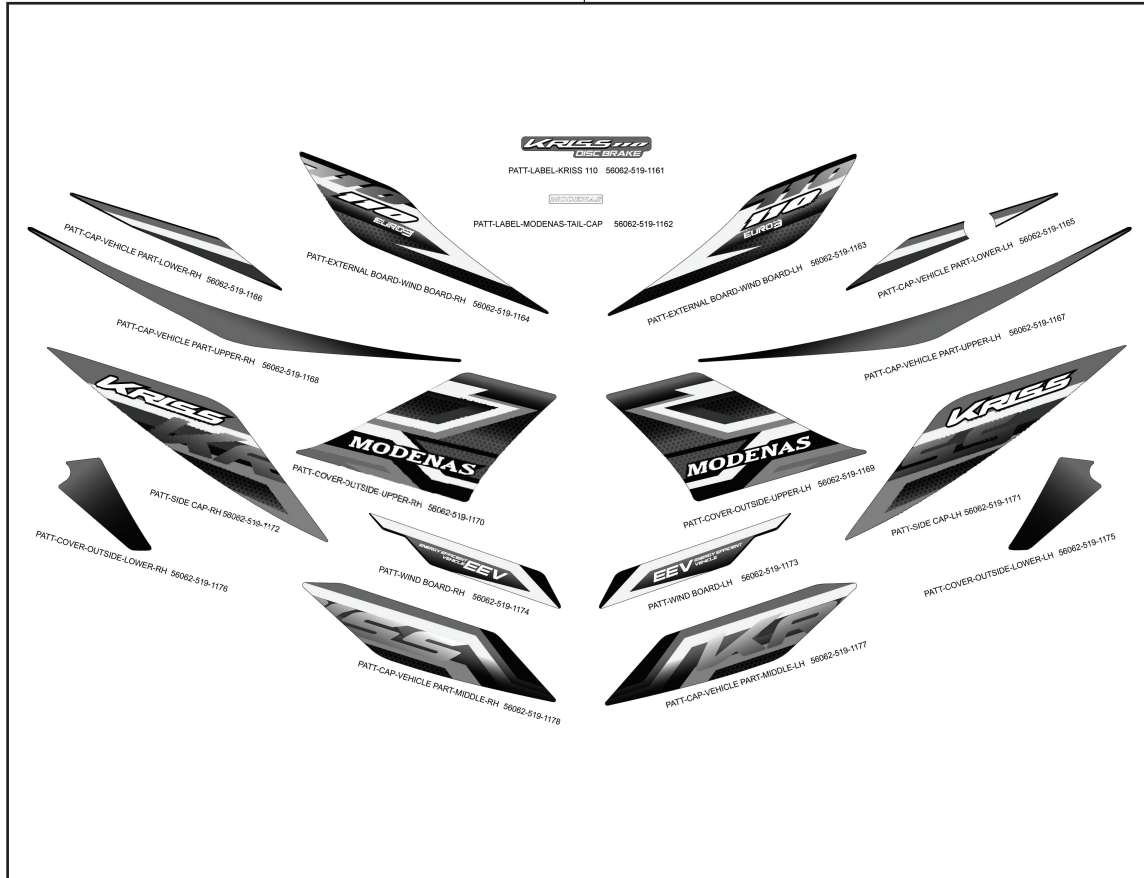


Ref. No.	Part No.	Description	Qty
			H
1	16100-H337-040005	AIR CLEANER	1
2	B057890006001271X	BOLT M6X12	2
3	B0009601060000K1X	WASHER 6	2
4	16123-I126-00000C	JOINT CLIP, AIR CLEANER	1
5	16114-G124-0400	FILTER NET, AIR CLEANER	1
6	16101-G124-0400	CORE, AIR CLEANER	1

DECALS GROUP 5

PATTERNS

1 / 2 / 3



Ref. No.	Part-No	Description	Qty
			H
1	40181-519-0148ZLB	PATTERN-SET COLOUR BLACK	1
2	40181-519-0148ZBB	PATTERN-SET COLOUR BLUE	1
3	40181-519-0148ZRB	PATTERN-SET COLOUR RED	1

PART NO. GROUP 6

PART-NO AND DESCRIPTION (ENGINE)

NO	PART-NO	DESCRIPTION	GRID NO
1	1M01C0838	ENGINE	E01
2	100010074	O-RING DIA.13.2X2.65	E07
3	100010667	BEARING 6001	E10
4	100010676	BEARING 6201	E11
5	100010678	BEARING 6203	E10
6	100010678	BEARING 6203	E11
7	100010685	BEARING 6304	E12
8	100011099	RETAINING RING 17	E13
9	100031573	O-RING DIA.18X3	E06
10	100031594	O-RING DIA.52.5X2	E17
11	100031716	BEARING 6000	E06
12	100032890	PIN DIA.2.5X10	E09
13	100033003	RETAINING RING 11	E17
14	100051306	CLUTCH MANIPULATE ARM COMBINATION	E06
15	100054745	OIL RING ASSY	E20
16	100059272	WASHER	E06
17	100062531	SEAL VALVE STEM	E02
18	100066182	ROCKER ARM	E02
19	100066183	ROTOR ASSY MAGNETO	E16
20	100068320	CRANKSHAFT CONNECTING ROD ASSY	E12
21	100091360	CLUTCH ASSY	E08
22	100100159	OIL PUMP COVER	E09
23	100100231	CYLINDER STUD BOLT A	E04
24	100100289	CYLINDER STUD BOLT B	E04
25	100100290	CYLINDER STUD BOLT B	E04
26	100100392	BOLT RETURN SPRING FIXING 8X11	E15
27	100100487	BOLT M5X12	E02
28	100100514	LOCK NUT CLUTCH	E08
29	100100528	LOCK NUT PRIMARY CLUTCH	E08
30	100100580	CHECK RING PISTON RING	E20
31	100100595	CIRCLIP DIA.15.5X1.2XDIA.19	E14
32	100100596	CIRCLIP DIA.18.5X1.2XDIA.21.1	E14
33	100100629	CHECK RING DIA.18.5X1.2XDIA.22	E13
34	100100637	PIN	E08
35	100100639	SEMICIRCULAR KEY	E12
36	100100867	DOWEL PIN DIA.8X12XDIA.6.3	E06
37	100100867	DOWEL PIN DIA.8X12XDIA.6.3	E07
38	100100888	PIN DIA.3X9	E15
39	100100898	PIN DIA.4X9	E15
40	100100901	PIN DIA.4X13	E15

NO	PART-NO	DESCRIPTION	GRID NO
41	100101058	NEEDLE BEARING	E06
42	100101210	DOWEL PIN DIA.8X12XDIA.7	E04
43	100101211	DOWEL PIN DIA.8X14XDIA.7	E04
44	100101356	PISTON	E20
45	100101506	PIN PISTON	E20
46	100101953	HUB DUMP CHAIN SPROCKET	E12
47	100102729	DOWEL PIN DIA. 10X14	E10
48	100102874	BUSH 9.5	E04
49	100103067	FIXING PLATE MAGNETO CABLE	E07
50	100103200	ASSY OVERRUNNING CLUTCH	E16
51	100103210	SPRING	E16
52	100103211	CLUTCH ROLLER	E16
53	100103213	CONE BLOCKAGE	E16
54	100103246	DISK INSULATOR	E17
55	100103247	PLATE START CLUTCH	E17
56	100103253	STARTING MOTOR DRIVE CHAIN	E17
57	100103255	PLATE GEAR ASSY	E17
58	100103272	ASSY CHAIN PROTECT PLATE	E17
59	100103278	ASSY GUIDE PLATE	E17
60	100103340	WASHER	E08
61	100103343	DISH WASHER CLUTCH	E08
62	100103344	DISH WASHER CLUTCH	E08
63	100103348	SPACER SLEEVE CLUTCH	E08
64	100103350	FIXING RING CLUTCH	E08
65	100103352	SLEEVE CLUTCH	E08
66	100103357	CENTER SLEEVE CLUTCH	E08
67	100103420	OUTER FRICTION DISK A	E08
68	100103450	CAM PLATE ASSY CLUTCH	E06
69	100103457	THRUST WASHER PRIMARY CLUTCH	E08
70	100103459	STOP WASHER PRIMARY CLUTCH	E08
71	100103460	COVER PRIMARY CLUTCH	E08
72	100103461	CIRCLIP PRIMARY CLUTCH	E08
73	100103462	CIRCLIP PRIMARY CLUTCH	E08
74	100103467	SPRING	E08
75	100103468	SHAKE ABSOBER	E08
76	100103471	INNER PLATE OVERRUNNING CLUTCH	E08
77	100103570	SLEEVE	E13
78	100103602	GEARM-2	E13
79	100103603	GEAR M-3	E13
80	100103604	GEAR M-4	E13

PART-NO AND DESCRIPTION (ENGINE)

NO	PART-NO	DESCRIPTION	GRID NO
81	100103646	WASHER	E13
82	100103706	GEAR C-1	E13
83	100103707	GEAR C-2	E13
84	100103708	GEAR C-3	E13
85	100103709	GEAR C-4	E13
86	100103776	COLLAR 20X9	E13
87	100103800	DRIVE SPROCKET	E13
88	100103891	GUIDE PIN	E15
89	100103892	CLIP SPRING	E15
90	100103980	SPRING LOCATING PLATE	E15
91	100103996	GEARSHIFT LEVER TENSION SPRING	E15
92	100104129	SPARK PLUG	E02
93	100104271	SPROCKET	E17
94	100104485	GEARSHIFT SWITCH PRESSING PLATE	E15
95	100104486	CONTACT GEARINDICATION	E15
96	100104509	RETANGLE RING 8X10.8X1.5	E04
97	100104510	RETANGLE RING 11.5X16X2.5	E04
98	100104538	GASKET CYLINDER HEAD UPPER COVER	E02
99	100104542	GASKET R.CYLINDER HEAD COVER	E02
100	100104544	GASKET L.CRANKCASE COVER	E07
101	100104568	GASKET R. CRANKCASE COVER	E06
102	100104581	GASKET CRANKCASE	E11
103	100104601	GASKET OIL PUMP	E09
104	100104606	GASKET CARBURETOR	E02
105	100104614	GASKET PRIMARY CLUTCH COVER	E08
106	100104645	OIL SEAL 11.6X24X10	E10
107	100104696	OILS SEAL 17X29X5	E10
108	100104727	OIL SEAL 13.8X24X5	E06
109	100104777	OIL SEAL 30X42X4.5	E17
110	100104782	OIL SEAL 19X30X5	E17
111	100104879	OIL RULER ASSY	E06
112	100104914	OIL PUMP SPROCKET SHAFT	E09
113	100104916	BUSH SPROCKET	E09
114	100104941	STRAINER OIL PUMP	E09
115	100104951	HUB DUMP CHAIN SPROCKET OIL PUMP	E09
116	100105029	TIMING DRIVEN SPROCKET	E02
117	100105089	SPROCKET CHAIN	E05
118	100105148	ROCKER SHAFT	E02
119	100105156	NUT VALVE CLEARENCE	E02
120	100105167	SCREW VALVE CLEARENCE	E02

NO	PART-NO	DESCRIPTION	GRID NO
121	100105204	SPRING	E05
122	100105207	AXLE TENSIONER LEVER	E05
123	100105239	PLUG OF TIGHTENER	E05
124	100105253	CAM CHAIN TENSIONER PUSH ROD	E05
125	100105256	CHAIN ADJUSTING SET	E05
126	100105305	SPRING SEAT	E02
127	100105313	OUTER VALVE SPRING RETAINER	E02
128	100105320	VALVE LOCKER	E02
129	100105366	GASKET INLET PIPE	E02
130	100105737	SEAT SPRING KICK STARTING SHAFT	E14
131	100105767	GEAR KICK STARTER	E14
132	100106337	WASHER DIA.6.2X2XDIA.13	E02
133	100106518	WASHER DIA.17.2X1XDIA.24	E14
134	100106520	WASHER DIA.17.2X1.2XDIA.26	E13
135	100106527	WASHER DIA.20.2X1XDIA.27	E14
136	100106533	WASHER DIA.29.5X0.8XDIA.38	E08
137	100106538	WASHER DIA.6.2X1.5XDIA.13	E05
138	100106540	WASHER DIA.6.5X1XDIA.12	E02
139	100106544	WASHER DIA.8X1.5XDIA.14	E04
140	100106548	WASHER DIA.12.1X2XDIA.20	E11
141	100106552	WASHER DIA.14X1.5XDIA.20	E05
142	100106565	WASHER DIA.6.2X2XDIA.13	E02
143	100107650	O-RING DIA.106.8X2	E17
144	100107727	O-RING DIA.25X2.4	E02
145	100107731	O-RING DIA.27.4X2.65	E07
146	100107741	O-RING DIA.29.6X3.2	E02
147	100107798	O-RING DIA.6.5X1.8	E17
148	100107835	O-RING DIA.8X1.8	E06
149	100108014	OUTER CASE PRIMARY CLUTCH	E08
150	100152950	PISTON ASSY	E20
151	100163808	GEARSHIFT DRUM COMP	E15
152	100200112	CAMP SHAFT COMP	E02
153	100200330	GUIDE CHAIN ROLLER PIN	E04
154	100200404	ROCKER ARM ASSY VALVE	E02
155	100200570	INTAKE VALVE	E02
156	100200615	EXHAUST VALVE	E02
157	100200667	VALVE OUTER SPRING	E02
158	100200681	VALVE INNER SPRING	E02
159	100200724	INNER SPRING ASSY	E02
160	100201840	KICK STARTING SHAFT ASSY	E14

PART-NO AND DESCRIPTION (ENGINE)

NO	PART-NO	DESCRIPTION	GRID NO
161	100201899	RETURN SPRING KICK STARTING SHAFT	E14
162	100201907	PIVOT KICK STARTING SHAFT	E14
163	100202618	STARTING CLUTCH BODY	E16
164	100202677	DISK INSULATOR	E17
165	100202720	PLATE GEAR ASSY	E17
166	100202781	CLUTCH ASSY	E08
167	100202930	OIL INSULATING CLUTCH	E08
168	100203183	CLUTCH TAPPET	E06
169	100203228	SPRING PRIMARY CLUTCH	E08
170	100203271	TRANSMISSION MAIN COUNTER SHAFT	E13
171	100203420	MAIN SHAFT TRANSMISSION	E13
172	100203459	TRANSMISSION MAIN SHAFT	E13
173	100203475	WASHER	E13
174	100203476	WASHER	E13
175	100203526	COUNTERSHAFT TRANSMISSION	E13
176	100203588	TRANSMISSION COUNTERSHAFT	E13
177	100203631	DAMPING SPRING COUNTERSHAFT	E13
178	100203634	LIMIT PLATE GEARSHAFT	E13
179	100203657	FIXING PLATE DRIVE SPROCKET	E13
180	100203714	GEARSHIFT FORK	E15
181	100203779	GEARSHIFT DRUM COMP	E15
182	100203806	STOPPING PLATE	E15
183	100203822	GEARSHIFT DRUM	E15
184	100203912	GEARSHIFT SHAFT COMP	E15
185	100203925	RETURN SPRING	E15
186	100203947	LIMIT SCREW	E15
187	100203957	LOCATING PLATE ASSY	E15
188	100204455	OIL PUMP ASSY	E09
189	100204475	SHAFT OIL PUMP	E09
190	100204541	OIL PUMP BODY	E09
191	100204573	INNER ROTOR OIL PUMP	E09
192	100204600	OUTER ROTOR OIL PUMP	E09
193	100205193	ROTOR ASSY MAGNETO	E16
194	100205538	LIMIT PLATE REDUCTING VALVE	E02
195	100206378	PISTON RING 1	E20
196	100206436	PISTON RING 2	E20
197	100207053	CONNECTING ROD COMP 3	E12
198	100208488	GASKET L.CYLINDER HEAD COVER	E02
199	100208556	GASKET ASSY CYLINDER BLOCK	E04
200	100208792	GASKET OIL PUMP COVER	E09

NO	PART-NO	DESCRIPTION	GRID NO
201	100208815	GASKET ASSY CYLINDER HEAD	E04
202	100301310	CLUTCH ASSY	E08
203	100301347	END COVER CLUTCH	E08
204	100301355	PRESSURE PLATE CLUTCH	E08
205	100301379	SPRING CLUTCH	E08
206	100301404	OUT CASE ASSY CLUTCH	E08
207	100301461	DRIVE FRICTION DISK	E08
208	100303082	PISTON RING COMP	E20
209	100303337	STARTING RATCHET	E14
210	100303348	SPRING KICK STARTING RATCHET WHEEL	E14
211	100303503	ASSY PRIMARY CLUTCH	E08
212	100303507	STOP WASHER PRIMARY CLUTCH	E08
213	100303529	DRIVE DISK ASSY PRIMARY CLUTCH	E08
214	100303533	DRIVE DISK PRIMARY CLUTCH	E08
215	100303537	COUNTER WEIGHT SET PRIMARY CLUTCH	E08
216	100010845-0001	BOLT M8X15	E16
217	100010953-0001	SCREW M5X10	E09
218	100011168-0003	BOLT M5X12	E07
219	100011171-0002	BOLT M6X12	E17
220	100011173-0003	BOLT M6X16	E08
221	100011264-0003	BOLT M6X16	E15
222	100011267-0003	BOLT M6X22	E08
223	100011534-0002	BOLT M6X25	E02
224	100011534-0002	BOLT M6X25	E07
225	100011537-0002	BOLT M6X35	E07
226	100011538-0003	BOLT M6X40	E06
227	100011540-0007	BOLT M6X50	E10
228	100011540-0007	BOLT M6X50	E17
229	100011542-0001	BOLT M6X60	E10
230	100011543-0001	BOLT M6X65	E06
231	100011543-0001	BOLT M6X65	E10
232	100031847-0006	SCREW M5X8	E08
233	100031851-0004	SCREW M6X12	E15
234	100031852-0005	SCREW M6X16	E09
235	100031854-0002	SCREW M6X22	E09
236	100031911-0004	BOLT M6X10	E13
237	100031957-0007	BOLT M6X32	E07
238	100031959-0007	BOLT M6X70	E07
239	100031960-0007	BOLT M6X80	E06
240	100033087-0006	BOLT M6X42	E06

PART-NO AND DESCRIPTION (ENGINE)

NO	PART-NO	DESCRIPTION	GRID NO
241	100033099-0006	BOLT M6X18	E05
242	100055587-0006	BOLT M6X28	E07
243	100055589-0006	BOLT M6X16	E07
244	100091304-0005	FRONT PART, L.CRANKCASE	E07
245	100100331-0006	OIL DRAIN PLU	E11
246	100100343-0007	SEALING PLUG M14X1.5	E05
247	100100372-0001	BOLT M8	E06
248	100100382-0007	BOLT M6X23	E04
249	100100438-0002	BOLT M6X32	E02
250	100100465-0001	SCREW	E15
251	100100492-0007	BOLT M6X110	E02
252	100100507-0004	NUT M6	E02
253	100100562-0002	NUT	E06
254	100102869-0045	COVER VALVE CHAMBER	E02
255	100102915-0005	CLIP OVERFLOW PIPE	E10
256	100102935-0014	LEFT CRANKCASE BLOCK	E10
257	100103015-0016	RIGHT CRANKCASE BLOCK	E11
258	100103059-0021	CAP SMALL VIEW HOLE	E07
259	100103062-0020	CAP BIG VIEW HOLE	E07
260	100105067-0006	GUIDE CHAIN ROLLER PIN	E04
261	100123471-0001	SCREW M6X16	E17
262	100132820-0004	CYLINDER HEAD ASSY	E02
263	100152951-0002	CYLINDER HEAD ASSY	E02
264	100202220-0032	BACK PART L.CRANKCASE COVER	E07
265	100202572-0079	COVER COMP RIGHT CRANKCASE	E06
266	100203191-0001	CLUTCH TAPPET	E06
267	100203869-0001	GEAR SHIFT LEVER COMP	E15
268	100204662-0007	BOLT M6X30	E04
269	100204698-0001	NUT	E16
270	100204895-0005	FRONT PART L.CRANKCASE COVER	E07
271	100205028-0003	STATOR ASSY MAGNETO	E07
272	100205313-0014	STARTING MOTOR ASSY	E17
273	100205587-0036	UPPER COVER CYLINDER HEAD	E02
274	100205635-0015	LEFT COVER CYLINDER HEAD	E02
275	100205661-0016	RIGHT COVER CYLINDER HEAD	E02
276	100207321-0007	CYLINDER BLOCK ASSY	E04
277	100208384-0002	GEARSHIFT SWITCH LAMP	E15
278	100302984-0003	COVER COMP RIGHT CRANKCASE	E06
279	15800-H327-0000Q	INTAKE PIPE	E19
280	17100-0000-030014	CARBURETOR	E19

NO	PART-NO	DESCRIPTION	GRID NO
281	18000-H418-210004	MUFFLER	E03
282	18030-H206-0000	SEAL PAD, EXHAUST MUFFLER	E03
283	18040-H0E5-000073	COVER REAR, EXHAUST MUFFLER	E03
284	18089-G011-0400Q	AIR SUPPLY PUMP BRACKET	E21
285	18090-G011-020002	AIR PUMP	E21
286	18092-0000-970002	PIPE DIA.9X15X(30+140)	E21
287	18092-0000-A001Q	EXHAUST RUBBER PIPE	E21
288	1809B-G011-02000YQ	EXHAUST IRON PIPE ASSY	E21
289	26012-519-0017	BATTERY	E18
290	613140070ZGT0000XQ	OIL PIPE ASSY DIA.4X8X70	E19
291	613140120ZGT0000XQ	OIL PIPE ASSY DIA.4X8X120	E19
292	6222D-0000-1200Q	RUBBER PAD	E03
293	81100-H418-0000Q	IGNITION COIL	E18
294	81110-I357-0000	SPARK PLUG	E18
295	81120-H418-0000	IGNITION COIN BUNDLE	E18
296	81200-H259-0000Q	IGNITOR	E18
297	82290-I258-0000Q	STARTING RELAY	E18
298	83100-H259-C000Q	RECTIFIER	E18
299	84600-H418-C000	SWITCH REAR BRAKING LAMP	E18
300	85100-H418-C00004	MAIN CABLE	E18
301	85171-0000-0000	FUSE 10A	E18
302	85500-H259-010001	HORN	E18
303	85600-I126-C10001Q	FLASHER	E18
304	90268-DA80-0000	EXHAUST IRON PIPE SEAL PAD	E21
305	90275-I008-0000	SECONDARY AIR PUMP BRACKET	E21
306	91202-1080-01831X	CAP NUT M8X17.5	E03
307	91302-9060-15061X	WASHER FLANGED DIA.6X15-7	E03
308	9A113-1060-01671X	SCREW M6X16	E03
309	B0009601080000K1X	WASHER 8	E03
310	B057830005001671X	M5X16	E18
311	B057890006000871X	BOLT M6X8	E18
312	B057890006001271X	BOLT M6X12	E18
313	B0578900080040T1X	BOLT M8X40	E03
314	B061870108000061X	NUT M8	E03
315	B166740106001671X	BOLT M6X16	E21
316	B166740106002571X	BOLT M6X25	E19
317	B166740106002571X	BOLT M6X25	E21
318			
319			
320			

PART-NO AND DESCRIPTION (FRAME)

NO	PART-NO	DESCRIPTION	GRID NO
321	07002-H418-C20004	VEHICLE LOCK	F20
322	08216-0000-4000Q	TIE BELT	F02
323	16100-H337-040005	AIR CLEANER	F30
324	16101-G124-0400	CORE, AIR CLEANER	F30
325	16114-G124-0400	FILTER NET, AIR CLEANER	F30
326	16123-I126-00000C	JOINT CLIP, AIR CLEANER	F30
327	17010-H206-0100Q	FIXING SEAT, OILER	F08
328	21200-H0E5-000005	STARTING ARM	F05
329	21208-H259-0000	RUBBER BUSH STARTING ARM	F05
330	24400-G129-04000GQ	GEAR SHIFT FOOTPEG	F05
331	24425-I126-C000	RUBBER BUSH GEAR FOOTPEG ROD	F05
332	26400-4280-0100Q	CHAIN 428X100	F16
333	26411-0000-000000	CONNECTING END CHAIN (S)	F16
334	26412-0000-000000	CHAIN CLIP	F16
335	26413-0000-000000	CHAIN PRESSURE BOARD	F16
336	31100-H418-060001	FRAME	F01
337	31203-H418-020003	BRACKET FRONT COVER	F02
338	31221-H206-0100Q	FRONT SUSPENSION RUBBER PLUG	F02
339	31250-I357-0000Q	HOOP TOOL BOX	F20
340	32100-H261-000002	FRONT FOOTPEG ASSEMBLY	F03
341	32101-H0E5-0100	RUBBER BUSH FRONT FOOTPEG	F03
342	32102-H206-0000	SPRING SIDE BRACKET	F03
343	32130-H261-000001	WELDING ASSY SIDE STAND	F03
344	32131-H206-00000B	BOLT SIDE BRACKET	F03
345	32147-H0E5-010001	WELDING COMPONENTS FRONT FOOTPEG	F03
346	32200-H0E5-010002	MAIN BRACKET	F04
347	32202-H206-000002	SPRING MAIN BRACKET	F04
348	32203-H206-000002	HOOK MAIN BRACKET	F04
349	32204-H206-0100Q	DAMPING PAD MAIN BRACKET	F04
350	32281-H206-000001	SHAFT MAIN BRACKET	F04
351	32410-H0E5-050002	LEFT REAR PEDAL ASSY	F06
352	32415-H0E5-030001	BRACKET LEFT REAR PEDAL	F06
353	32416-H0E5-000002	RUBBER BUSH REAR PEDAL	F06
354	32420-H0E5-050002	RIGHT REAR PEDAL ASSY	F06
355	32425-H0E5-030001	BRACKET RIGHT REAR FOOTPEG	F06
356	32471-H870-C00001	PIN SHAFT	F06
357	33300-H670-C00072	REAR ABSORBER SHOCK	F02
358	34100-H670-030069Q	LEFT FRONT ABSORBER	F09
359	34200-H670-030069Q	RIGHT FRONT ABSORBER	F09
360	35001-H206-0000Q	PROTECTING CLIP CHAIN	F02

NO	PART-NO	DESCRIPTION	GRID NO
361	35011-H206-000002	LEFT ADJUSTER CHAIN	F18
362	35012-H206-000002	RIGHT ADJUSTER CHAIN	F18
363	35110-H670-0000	UPPER CHAIN CASE	F16
364	35200-H418-010003	SWING ARM ASSY	F02
365	3520A-H418-010001	SWING ARM WELDING ASSY	F02
366	3520B-H418-000000	SHAFT BUSH SUB ASSY	F02
367	35214-G124-000002	CONNECTING BOLT	F02
368	35215-G124-00006N	POSITIONING PIPE REAR BRAKE	F02
369	35281-H0E5-000001	SHAFT SWING ARM	F02
370	40181-519-0148ZBB	PATTERN-SET COLOUR BLUE	D01
371	40181-519-0148ZLB	PATTERN-SET COLOUR BLACK	D01
372	40181-519-0148ZRB	PATTERN-SET COLOUR RED	D01
373	41008-519-00210	TYRE-ASSY-FRONT	F17
374	41008-519-0022	TYRE REAR ASSY	F18
375	41025-519-0048	RIM FRONT 1.40X17	F17
376	41025-519-0049	RIM REAR 1.60X17	F18
377	41100-H418-040008	SEATS FOR DOUBLE MEN	F20
378	41111-H418-C000	GEMEL, SEAT CUSHION	F20
379	41490-H418-000002	LOCK SEAT	F20
380	42200-H418-010002	GROUPWARE REAR ARMREST	F07
381	42424-H670-0000Q	LOWER RUBBER PAD, SUNDRIES BOX	F13
382	42600-H670-0000	MIDDLE GOODS CASE	F13
383	42603-H0E5-000002	CAP, MIDDLE GOOD CASE	F13
384	51102-H259-030002	RIGHT BUSH FRONT WHEEL	F17
385	51108-0000-0200	FRONT WHEEL SUPPORTING RING	F18
386	51108-0000-0400	FRONT WHEEL SUPPORTING RING	F17
387	51116-0000-2600	OIL SEAL, HUB 20X37X7	F17
388	51117-0000-49000C	INNER BUSH DIA.20X12X55.5 HUB	F18
389	51117-0000-70001X	INNER BUSH HUB	F17
390	51181-H206-000002	AXLE FRONT WHEEL	F17
391	51201-H259-010002	REAR WHEEL BUSH LEF	F18
392	51202-H206-000002	REAR WHEEL BUSH RIGHT	F18
393	51218-0000-0100	REAR WHEEL DAMPING BLOCK	F18
394	51281-H206-000003	REAR WHEEL AXLE	F18
395	52100-H259-020002	REAR BRAKING LEVER	F05
396	52105-H0E5-000004	RETURNING REAR BRAKE	F05
397	52200-H259-010002	PULL ROD REAR BRAKE	F05
398	53000-H418-030001	FRONT DISC BRAKE ASSY	F11
399	53001-H418-010063	FRONT BRAKE DISC	F11
400	53002-H418-0000	OIL PIPE, FRONT DISC BRAKE	F11

PART-NO AND DESCRIPTION (FRAME)

NO	PART-NO	DESCRIPTION	GRID NO
401	53012-H418-0000	UPPER PUMP, FRONT DISC BRAKE	F11
402	53013-H418-C300	FRONT DISC BRAKE FRICTION DISK	F11
403	53014-H418-0000	LOWER PUMP, FRONT DISC BRAKE	F11
404	54141-H206-0000	FELT FRONT BRAKE	F12
405	54200-H206-060004	REAR BRAKE	F12
406	54201-H206-0000	PAD SPRING REAR BRAKE	F12
407	54205-H206-000001	CAP REAR BRAKE	F12
408	54207-H206-00001X	PULLING ARM REAR BRAKE	F12
409	54208-H206-00001X	INDICATING REAR BRAKE	F12
410	54209-H206-00001X	CAM REAR BRAKE	F12
411	54220-H206-0200	PAD REAR BRAKE ASSY	F12
412	55000-H199-C20003	BUFFER ASSY 36T	F19
413	55001-H206-C00066	BUFFER SINGLE	F19
414	55002-H206-000001	SPROCKET WHEEL 36T	F19
415	55005-0000-1500	OIL SEAL 26X40X6.5/11 BUFFER	F19
416	55007-H206-000001	LOCK PLATE	F19
417	55008-H206-000001	SPROCKET BUSH	F18
418	55009-H206-000001	ADJUSTING NUT INNER BUSH BUMPER	F18
419	61100-H670-020001	FUEL TANK	F10
420	61140-G129-00000C	CAP FUEL TANK	F20
421	61180-0000-050001	FUEL FILTER	F10
422	613140650ZGT0000XQ	COMPOUND FUEL PIPE DIA.4X8X650	F10
423	62203-H418-0000	DEC. BLOCK, CENTRALPROTECTING BOARD	F25
424	62209-H418-0000	PROTECTING BOARD, CENTRAL FRONT	F25
425	62218-H418-000087	PROTECTING BOARD CENTRAL REAR	F26
426	6222B-0000-1200Q	RUBBER PAD DIA.8.5X12X17-2.5+3+2.5	F14
427	6222B-0000-1200Q	H SHAPE RUBBER WASHER 8.5X12X17-2.5+3+2.5	F22
428	6222B-0000-1200Q	RUBBER WASHER DIA.8.5X12X17-2.5+3+2.5	F24
429	6222B-0000-2200Q	RUBBER WASHER DAI.13X17X26-3+4+3	F27
430	62301-H418-000391	FRONT WIND COVER (RED)	F24
431	62301-H418-000392	FRONT WIND COVER (BLUE)	F24
432	62301-H418-000393	FRONT WIND COVER (BLACK)	F24
433	62307-H418-020205	DECO PARTS FRONT WIND COVER	F24
434	62308-H670-0000	CAP, FRAME NUMBER	F13
435	62402-H418-000521	EXTERNAL BOARD, LH WIND BOARD (RED)	F25
436	62402-H418-000522	EXTERNAL BOARD, LH WIND BOARD (BLUE)	F25
437	62402-H418-000523	EXTERNAL BOARD, LH WIND BOARD (BLACK)	F25
438	62403-H418-000521	EXTERNAL BOARD RH WIND BOARD (RED)	F25
439	62403-H418-000522	EXTERNAL BOARD, RH WIND BOARD (BLUE)	F25
440	62403-H418-000523	EXTERNAL BOARD, RH WIND BOARD (BACK)	F25

NO	PART-NO	DESCRIPTION	GRID NO
441	63020-H0E5-000002	LABEL, FRONT WIND COVER	F22
442	63104-H670-000096	FRONT FENDER (BLUE)	F29
443	63104-H670-000097	FRONT FENDER (BLACK)	F29
444	63104-H670-000099	FRONT FENDER (RED)	F29
445	63111-H418-0000Q	WIRE PROTECTING RING	F29
446	63126-H670-000076	RIGHT DECO CAP, FRONT FENDER (BLACK)	F29
447	63126-H670-000078	RIGHT DECO CAP, FRONT FENDER (RED)	F29
448	63126-H670-0000KR	RIGHT DECO CAP, FRONT FENDER (BLUE)	F29
449	63127-H670-000076	LEFT DECO CAP FRONT FENDER (BLACK)	F29
450	63127-H670-000078	LEFT DECO CAP FRONT FENDER (RED)	F29
451	63127-H670-0000KR	LEFT DECO CAP FRONT FENDER (BLUE)	F29
452	6312E-H418-000017	EXTERNAL BOARD, RH WIND BOARD (RED)	F28
453	6312E-H418-000018	EXTERNAL BOARD, RH WIND BOARD (BLUE)	F28
454	6312E-H418-000019	EXTERNAL BOARD, RH WIND BOARD (BLACK)	F28
455	6312F-H418-000017	EXTERNAL BOARD, LH WIND BOARD (RED)	F28
456	6312F-H418-000018	EXTERNAL BOARD, LH WIND BOARD (BLUE)	F28
457	6312F-H418-000019	EXTERNAL BOARD, LH WIND BOARD (BLACK)	F28
458	63201-H418-0000	FRONT PART, REAR FENDER	F14
459	63202-H418-0000	REAR PART REAR FENDER	F15
460	63301-H418-000513	LEFT SIDE CAP (RED)	F27
461	63301-H418-000514	LEFT SIDE CAP (BLUE)	F27
462	63301-H418-000515	LEFT SIDE CAP (BLACK)	F27
463	63332-H418-000513	RIGHT SIDE CAP (RED)	F27
464	63332-H418-000514	RIGHT SIDE CAP (BLUE)	F27
465	63332-H418-000515	RIGHT SIDE CAP (BLACK)	F27
466	63341-H418-000410	CAP, VEHICLE LH PART (RED)	F27
467	63341-H418-000411	CAP, VEHICLE LH PART (BLUE)	F27
468	63341-H418-000412	CAP, VEHICLE LH PART (BLACK)	F27
469	63342-H206-0100Q	RUBBER PLUG VEHILCE	F02
470	6334A-H418-0000	DECORATION BLOCK, LH VEHICLE CAP	F27
471	63352-H418-000410	CAP, VEHICLE RH PART (RED)	F27
472	63352-H418-000411	CAP, VEHICLE RH PART (BLUE)	F27
473	63352-H418-000412	CAP, VEHICLE RH PART (BLACK)	F27
474	6335A-H418-0000	DECORATION BLOCK, RH VEHICLE CAP	F27
475	63401-H418-010011	LEFT WIND BOARD (RED)	F28
476	63401-H418-010012	LEFT WIND BOARD (BLUE)	F28
477	63401-H418-010013	LEFT WIND BOARD (BLACK)	F28
478	63406-H418-010011	RIGHT WIND BOARD (RED)	F28
479	63406-H418-010012	RIGHT WIND BOARD (BLUE)	F28
480	63406-H418-010013	RIGHT WIND BOARD (BLACK)	F28

PART-NO AND DESCRIPTION (FRAME)

NO	PART-NO	DESCRIPTION	GRID NO
481	63412-H418-0000	DECORATION PARTS LH WIND BOARD	F28
482	63413-H418-0000	DECORATION PARTS RH WIND BOARD	F28
483	63424-H418-010003	BRACKET WIND BOARD	F28
484	63437-H418-000003	BRACKET MAIN CABLE	F02
485	63501-H0E5-000078	SHELL, HEADLIGHT (RED)	F21
486	63501-H0E5-000079	SHELL, HEADLIGHT (BLUE)	F21
487	63501-H0E5-000080	SHELL, HEADLIGHT (BLACK)	F21
488	63505-H0E5-0000	SHELL, INSTRUMENT	F22
489	63602-H418-000074	TAIL CAP	F27
490	69110-H0P8-00001	LEFT REAR VIEW MIRROR	F08
491	69120-H0P8-00001	RIGHT REAR VIEW MIRROR	F08
492	71105-H206-00001XQ	ADJUSTING NUT STEERING POST	F09
493	71106-H206-00001XQ	LOCK NUT STEERING POST	F09
494	7110A-H259-000065	STEERING POST ASSY	F09
495	71123-H206-00001XQ	PLANE WASHER	F09
496	71135-H206-00001XQ	CLIP RING STEERING ROD	F09
497	71201-G124-0000	UPPER CHECK RING BEARING 26	F09
498	71202-G124-0000	LOWER CHECK BEARING 34	F09
499	71203-G124-0000	UPPER SEAT RING BEARING 45	F09
500	71204-G124-0000	LOWER SEAT BEARING 54	F09
501	71208-H418-0000	UPPER RETAINING BRACKET	F09
502	71209-H418-0000	LOWER RETURNING BRACKET	F09
503	72010-H206-0100Q	RUBBER BUSH, LEFT HANDLEBAR	F08
504	72020-H206-0100Q	RUBBER BUSH ASSEMBLY RIGHT HANDLEBAR	F08
505	72032-H0E5-0000Q	DECORATION HEAD PART	F08
506	72100-H0E5-010001	TUBE, STEERING HANDLEBAR	F08
507	72118-0000-00001XQ	LOCKING BUSH, STEERING HANDLEBAR TUBE	F08
508	72207-H206-0100Q	BRACKET, CHOKE	F08
509	72208-H259-0100Q	HANDLEBAR, CHOKE	F08
510	72210-H206-020002	LIGHT SHIFT SWITCH	F22
511	72215-H206-0100Q	SKIDPROOF GASKET, CHOKE	F08
512	72220-H206-020002	SWITCH TURNING LAMP	F22
513	72230-H206-030002	SWITCH HORN	F22
514	72270-H206-030002	ELECTRIC STARTING SWITCH	F22
515	72293-H418-000002	SWITCH ILLUMINATOR	F22
516	72309-H418-C000	BRAKE HANDLE	F11
517	72400DWZ09706451CQ	CABLE, THROTTLE	F23
518	72700CZZ06206101CQ	CABLE, CHOKE	F23
519	72900AZZ03501401CQ	CABLE, SEAT LOCK	F23
520	82400-0000-0200	USB INTERFACE	F13

NO	PART-NO	DESCRIPTION	GRID NO
521	84602-H206-000002	SWITCH SPRING REAR BRAKING LAMP	F05
522	85830-M154-000003	REFLECTOR REAR	F15
523	85850-M154-010002	SIDE REFLECTOR	F29
524	86100-H0E5-000001	HEADLIGHT	F21
525	8610Z-H0E5-0000	REFLECTOR & LAMPSHADE ASSY	F21
526	86111-H0E5-0000	WIRE, FRONT LAMP	F21
527	86112-0000-0000	BULB POSITION LAMP	F21
528	86146-H670-010001	ADJUSTING SCREW	F21
529	86160-0000-C490	BULB FRONT LAMP (12V35/25W)	F21
530	86200-H418-C10002	REAR LAMP ASSY	F15
531	86260-0000-C270	BULB REAR LAMP	F15
532	86300-H418-0000Q	RIGHT TURNING LAMP, FRONT	F24
533	86340-0000-0300	BULB TURNING LAMP 12V10W	F24
534	86350-H418-000001	CABLE ASSY FRONT LEFT TURNING LAMP	F24
535	86400-H418-0000Q	LEFT TURNING LAMP, FRONT	F24
536	86450-H418-000001	CABLE ASSY FRONT RIGHT TURNING LAMP	F24
537	86500-H0E5-010002	LEFT TURNING LAMP REAR	F15
538	86600-H0E5-010002	RIGHT TURNING LAMP REAR	F15
539	86700-J0A2-000002	REAR LICENSE PLATE LAMP	F15
540	86720-0000-0200	BULB LICENSE PLATE	F15
541	86800-B1P6-000002	TO LOCATE BLOCK	F15
542	87100-H0E5-000009	METER ASSY	F22
543	87123-0000-0300	BULB METER 12V/1.7W	F22
544	87123-0000-0400	BULB METER 12V3W	F22
545	87200-H670-0000	FUEL SENSOR	F10
546	87201-H418-000002	SEAL RING SENSOR	F10
547	87300DZZ32109701C	CABLE, ODOMETER	F23
548	87330-H206-000069Q	SPEED COUNTER	F17
549	90101-10400000250	O-RING 40.4X2.5X3	F18
550	91112-1060-01771X	BOLT M6X17	F29
551	91113-1080-13371X	STEP BOLT	F12
552	91205-1042-017T1X	CLIP ST4.2X17X11	F13
553	91205-1042-017T1X	CLIP ST4.2-17X11	F14
554	91205-1042-017T1X	CLIP ST4.2X17	F15
555	91205-1042-017T1X	CLIP, SELF TAPPING ST4.2X17	F21
556	91205-1042-017T1X	SELF TAPPING CLIP ST4.2X17	F24
557	91205-1042-017T1X	CLIP SELF TAPPING ST4.2X17	F25
558	91205-1042-017T1X	CLIP ST4.2X7	F27
559	91205-1042-017T1X	CLIP ST4.2X17X11	F28
560	91205-1042-017T1X	CLIP SELF TAPPING ST4.2-17X11	F29

PART-NO AND DESCRIPTION (FRAME)

NO	PART-NO	DESCRIPTION	GRID NO
561	91218-1060-022T0U	CLIP M6X22.3X15	F02
562	91218-1060-022T0U	CLIP M6X22.3X15	F26
563	91218-1060-022T0U	CLIP M6X22.3X15	F28
564	91301-0080-20021X	WASHER 8	F12
565	91301-0100-25021X	PLANE WASHER 10XDIA.25-2	F02
566	91301-0170-23021X	WASHER DIA.17X23X1.5	F04
567	91302-9060-18061X	FLANGED WASHER DIA.6X18-7	F14
568	91302-9060-18061X	FLANGED WASHER 6X18-7	F22
569	91302-9060-18061X	FLANGED WASHER DIA.6X18-7	F24
570	91302-9060-18061X	FLANGED WASHER DIA.6X18-7	F25
571	91302-9060-20161X	FLANGED WASHER DIA.6.5XDIA.20X18	F13
572	91302-9080-24091X	FLANGED WASHER 8.5X23X	F07
573	9131B-0000-0300Q	RUBBER PLANE PAD	F12
574	92102-0006203-2RS	BEARING 6203-2RS	F19
575	92102-0006301-2RS	BEARING 6300-2RS	F17
576	92102-0006301-2RS	BEARING 6301-2RS	F18
577	93319-0030-024U1X	CLIP 12X24 (R3)	F21
578	9A113-1050-01471X	SCREW M5X14	F10
579	9A113-1060-01671X	SCREW M6X16	F15
580	9A113-1060-01671X	SCREW M6X16	F24
581	9A113-1060-01671X	SCREW M6X16	F25
582	9A113-1060-01671X	SCREW M6X16	F26
583	9A113-1060-01671X	SCREW M6X1	F26
584	9A113-1060-01671X	SCREW M6X16	F27
585	9A113-1060-02071X	SCREW M6X20	F25
586	9A113-1060-02571X	SCREW M6X25	F25
587	9A113-1060-02571X	SCREW M6X25	F28
588	9A113-1060-02571X	SCREW M6X25	F28
589	9A113-1060-04070H	SCREW M6X40	F28
590	9A131-1050-01671X	SCREW 11/M5X16	F22
591	9A133-1039-013X1X	SCREW ST3.9X13	F22
592	9A133-1042-010X0X	SCREW ST4.2X10	F24
593	9A133-1042-010X0X	SCREW ST4.2X10	F27
594	9A133-1042-013X1X	SELF TAPPING SCREW ST4.2X13	F02
595	9A133-1042-013X1X	SCREW ST4.2X13	F13
596	9A133-1042-013X1X	SCREW ST4.2X13	F14
597	9A133-1042-013X1X	SCREW ST4.2X13	F15
598	9A133-1042-013X1X	SELF TAPPING SCREW DIA.9/ST4.2X13	F22
599	9A133-1042-013X1X	SCREW DIA.9/ST4.2X13	F24
600	9A133-1042-013X1X	SCREW DIA.9/ST4.2X13	F25

NO	PART-NO	DESCRIPTION	GRID NO
601	9A133-1042-013X1X	SCREW ST4.2X13	F27
602	9A133-1042-013X1X	SCREW ST4.2X13	F28
603	9A133-1042-013X1X	SELF TAPPING SCREW DIA.ST4.2X13	F29
604	9A133-1042-016X1X	SCREW ST4.2X16	F15
605	9A133-1042-016X1X	SELF TAPPING SCREW ST4.2X16	F22
606	9A133-1042-016X1X	SCREW ST4.2X16	F25
607	9A133-1042-040X1X	SCREW ST4.2X40	F28
608	B000910002001601X	OPENING PIN 2X16	F02
609	B000910002001601X	OPENING PIN 2X16	F05
610	B000910002001601X	OPENING PIN 2X16	F06
611	B000910002001601X	OPENING PIN 2X16	F12
612	B000930005000001X	SPRING WASHER 5	F08
613	B000930008000001X	SPRING WASHER 8	F02
614	B000930008000001X	SPRING WASHER 8	F03
615	B000930008000001X	SPRING WASHER 8	F12
616	B0009601050000K1X	PLANE PAD 5	F08
617	B0009601060000K1X	WASHER 6	F13
618	B0009601060000K1X	WASHER 6	F15
619	B0009601060000K1X	WASHER 6	F16
620	B0009601060000K1X	WASHER 6	F25
621	B0009601060000K1X	WASHER 6	F26
622	B0009601060000K1X	WASHER 6	F27
623	B0009601060000K1X	WASHER 6	F28
624	B0009601060000K1X	WASHER 6	F30
625	B0009601080000K1X	WASHER 8	F02
626	B0009701060000K1X	WASHER 6	F05
627	B0009701060000K1X	WASHER 6	F06
628	B0009701060000K1X	WASHER 6	F12
629	B0009701080000K1X	PLANE PAD	F03
630	B0009701080000K1X	PLANE PAD	F07
631	B0009701100000K1X	PLANE WASHER 10	F02
632	B008180005001221X	SCREW M5X12	F08
633	B008180005001621X	SCREW M5X16	F08
634	B008190106001021X	SCREW M6X10	F20
635	B008200005002021X	SCREW M5X20	F17
636	B008940117000001X	CLIP SHAFT	F04
637	B009230010000061X	CAP NUT M10X1.25	F02
638	B057820006003571X	BOLT M6X35	F12
639	B057820008003671C	BOLT M8X36	F19
640	B057830005001270B	BOLT M5X12	F20

PART-NO AND DESCRIPTION (FRAME)

NO	PART-NO	DESCRIPTION	GRID NO
641	B057830006002071X	BOLT M6X20	F05
642	B057830006002571X	BOLT M6X25	F05
643	B057890006001271X	BOLT M6X12	F15
644	B057890006001271X	BOLT M6X12	F16
645	B057890006001271X	BOLT M6X12	F30
646	B057890006001671X	BOLT M6X16	F13
647	B057890006001671X	BOLT M6X16	F28
648	B057890008002071X	BOLT M8X20	F03
649	B057890008002071X	BOLT M8X20	F06
650	B0578900080040T1X	BOLT M8X40	F07
651	B0578900080100T1X	BOLT M8X100	F02
652	B0578900080115T1X	BOLT M8X115	F02
653	B057892010003771X	BOLT M10X1.25X37	F02
654	B057892010004571X	BOLT 10X1.25X45	F09
655	B057892010005071X	BOLT M10X1.25X50	F08
656	B061700008000061C	NUT M8	F19
657	B061700008000061X	NUT M8	F12
658	B061710010000061X	NUT M10X1.25	F03
659	B061730010000061X	NUT M10X1.25	F02
660	B061770106000061X	NUT M6	F02
661	B061770106000061X	NUT M6	F12
662	B061770106000061X	NUT M6	F15
663	B061770106000061X	NUT M6	F29
664	B061800008000061X	NUT M8	F02
665	B061870108000061X	NUT M8	F02
666	B061870210000061X	LOCK NUT M10X1.25	F02
667	B061870210000061X	NUT M10X1.25	F08
668	B061870210000061X	LOCK NUT M10X1.25	F17
669	B061870212000061X	NUT M12X1.25	F18
670	B166740106001671X	BOLT M6X16	F11
671	B166740106001671X	BOLT M6X16	F14
672	B166740106001671X	BOLT M6X16	F15
673	B166740106003071X	BOLT M6X30	F13
674	B166740106005571X	BOLT M6X55	F02
675	B166740108002571X	BOLT M8X25	F11
676			
677			
678			
679			
680			



Motosikal dan Enjin Nasional Sdn Bhd
Kawasan Gurun Perusahaan Gurun, 08300 Gurun, Kedah Darul Aman, Malaysia
Tel : 604-466 8000 Fax : 604-466 8300

Pusat Panggilan Pelanggan **1 800 880 181** www.modenas.com.my

Edaran MODENAS Sales & Marketing Office

EON Head Office Complex, No. 2 Level 2 Persiaran Kerjaya, Taman Perindustrian Glenmerie ,
Section U1 40150, Shah Alam, Selangor Darul Ehsan
Tel : 03-7880 2775 Fax : 03-7880 2290

MODENAS Service Centres in Malaysia

● Kedah	Kawasan Perindustrian Gurun, 08300 Kedah.	Tel : 04-466 8236 : 04-466 8238	Fax: 04-466 8109
● Perak	No. 123, Jalan Raja Musa Aziz, 30300 Ipoh, Perak	Tel : 05-249 8961 : 04-466 8117	Fax: 05-249 8965
● Selangor	No. 62 & 64 Jalan Pluto AY, U5/AY, Seksyen U5 40150 Shah Alam, Selangor.	Tel : 04-466 8160	Fax: 03-784 50972
● Pahang	No. A 149, Lorong Seri Teruntum 8, Jalan Dato Wong Ah Jang, Taman Tunas Maju, 25200 Kuantan, Pahang.	Tel : 09-512 3380 : 04-466 8199	Fax: 09-512 3383
● Johor	No. 1, Jalan Kempas 2, Taman Tanah Tampoi 81200 Johor Bahru, Johor.	Tel : 07-236 1695 : 04-466 8148	Fax: 07-235 2693

A Member Of :

DRB-HICOM

[JILID-24-09/2020]
99924-L071-00

Distributor :

EMOS
EDARAN MODENAS SDN. BHD.