



MODENAS

(Company No: 354613-V)



PARTS CATALOGUE

INTRODUCTION

1

PICTORIAL INDEX

2

ENGINE GROUP

3

FRAME GROUP

4

DECALS GROUP

5

PART NO. GROUP

6



INTRODUCTION 1

CONTENTS

1 INTRODUCTION

- INTRODUCTION TO PARTS CATALOGUE
- COLOR CHART

2 PICTORIAL INDEX

ENGINE INDEX

- E1 ~ E6
- E7 ~ E12
- E13 ~ E18
- E19 ~ E21

FRAME INDEX

- F1 ~ F6
- F7 ~ F12
- F13 ~ F18
- F19 ~ F24

DECALS INDEX

- D1 ~ D6

3 ENGINE GROUP

4 FRAME GROUP

5 DECALS GROUP

6 PART NUMBER INDEX

11001-514-0020	~	13102-1136
13107-1142	~	16073-1102
16082-1148	~	35023-514-0024
39058-514-0020	~	53001-514-0023
53009-512-0002	~	92009-U133
92015-042	~	92051-005
92055-1276	~	92145-513-0016
92145-U145	~	98111-514-0011

INTRODUCTION TO PARTS CATALOGUE

This parts catalogue is meant for type of model:

1. **MB115H-A3MY (EURO II)**
2. **MB115H-A2MY (EURO III)**

This part catalogue is based on the latest specification on 21/5/2015.
Please refer to the nearest service centre to obtain the latest information on the part catalogue after the date 8/8/2015.

1. How to order parts

In ordering spare parts for the replacement market, it is compulsory to include the following items:

Part Number, Description and Color Code

2. Explanation of Parts Catalogue

A. Part Number Structure

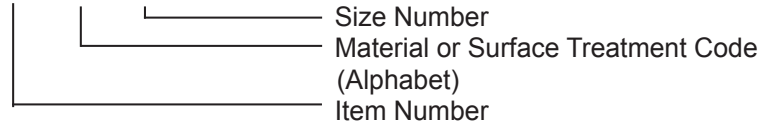
Part number

XXXXX-XXXX-XX



(ii) Standard hardware number

XXX X XXXX



B. Quantity

Indicates the volume quantity needed as specified in the column stated under "Quantity".

Note: Final quantity shall be specified in the quantity column and not always as depicted in diagram.

3. List of Abbreviations

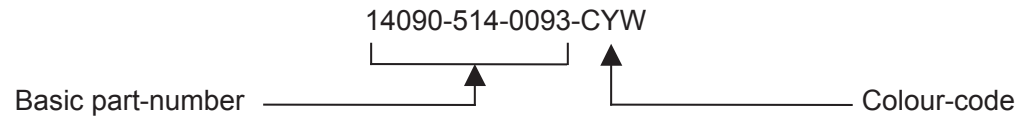
Describes the abbreviations used in this parts catalog.

(+)	Plus	MM	Millimeter
(-)	Minus	MPH	Miles Per Hour
&	And	NA	Not Available
2 nd	Second	O/S	Over Size
3 rd	Third	OD	Outside Diameter
4 th	Fourth	PR	Ply Rating
AR	As Required	REF	Reference
ASSY	Assembly	RH	Right Hand
CA	Cut Away	RPM	Revolutions Per Minute
CNT	Center	RR	Rear
COMP	Complete	STD	Standard
D	Degree	T	Teeth
FR	Front	T=	Thickness
G	Gram	U/S	Under Size
HEX	Hexagonal	UPP	Upper
ID=	Inside Diameter	V	Volt
KPH	Kilometers Per Hour	W	Watt
L	Link	W/	With
L=	Length	WD	With Decal
L/	Less	WOD	Without Decal
LH	Left Hand		

ALWAYS USE MODENAS GENUINE PARTS

COLOUR CHART-1

1. When ordering a coloured part/s, refer to the chart below and add the colour code at the end of the basic part number.
2. Below are examples on how to use the colour chart.
3. Chart below refers to the coloured parts.





A) BODY COLOUR CODE (PAINT COLOUR CODE)

NO	COLOUR NAME	CODE FOR PART	COLOUR LOCATION		CODE FOR PRODUCT
			COLOUR 1	COLOUR 2	
1	METALLIC BLACK	FZ	FZ	-	FZX
2	FLAT BLACK	FB	FB	-	↑
3	METROPOLITAN GREY	MY	MY	-	↑
4	CHERRY RED	RC	RC	-	△ CYW CYY
5	SAND WHITE	SW	SW	-	↑
6	FLAT BLACK	FB	FB	-	↑
7	CHERRY RED + SAND WHITE	YW	RC	SW	↑
8	METROPOLITAN GREY	MY	MY	-	↑
9	LIVIA BLUE	LV	LV	-	△ LVW LVY
10	SAND WHITE	SW	SW	-	↑
11	FLAT BLACK	FB	FB	-	↑
12	LIVIA BLUE + SAND WHITE	LW	LV	SW	↑
13	METROPOLITAN GREY	MY	MY	-	↑

COLOUR CHART-2

- When ordering a coloured part/s, refer to the chart below and add the colour code at the end of the basic part number.



B) COLOUR CODE FOR ABS PARTS (PAINT CODE)

NO	PART NAME	PART NO.	COLOUR CODE		
			FZX	 CYW CY Y	 LVW LV Y
1	COVER-FRONT-LOWER	14090-514-0090	FZ	YW	LW
2	COVER-FRONT-UPPER	14090-514-0089	FB	FB	FB
3	COVER-SIGNAL-LH	14090-514-0105	↑	↑	↑
4	COVER-SIGNAL-RH	14090-514-0106	↑	↑	↑
5	COVER-HANDLE-FR	59441-514-0033	FZ	SW	SW
6	COVER-HANDLE-RR	59441-514-0034	MY	RC	LV
7	COVER-STEP-THRU-UPPER	14090-514-0092	↑	↑	↑
8	COVER-STEP-THRU-LOWER	14090-514-0091	FB	FB	FB
9	COVER-STEP-THRU-MIDDLE	14090-514-0099	↑	↑	↑
10	COWLING-LH	55028-514-0033	↑	↑	↑
11	COWLING-RH	55028-514-0034	↑	↑	↑
12	COWLING-OUTER-LH	55028-514-0035	FZ	SW	SW
13	COWLING-OUTER-RH	55028-514-0036	↑	↑	↑
14	COWLING-UPPER-LH	55028-514-0037	FB	FB	FB
15	COWLING-UPPER-RH	55028-514-0038	↑	↑	↑
16	COWLING-LOWER-LH	55028-514-0039	FZ	RC	LV
17	COWLING-LOWER-RH	55028-514-0040	↑	↑	↑
18	SHROUD-LH	49125-514-0009	MY	↑	↑
19	SHROUD-RH	49125-514-0010	↑	↑	↑
20	COVER-SEAT-FR-LH	14090-514-0093	FZ	↑	↑
21	COVER-SEAT-FR-RH	14090-514-0094	↑	↑	↑

COLOUR CHART-3

- When ordering a coloured part/s, refer to the chart below and add the colour code at the end of the basic part number.

C) PATTERN

NO	PART NAME	PART NO.	COLOUR CODE		
			FZX	 CYW CY Y	 LVW LV Y
1	PATT-COVER-SEAT-FRONT-UPPER-LH	56062-514-0919	FZ	RC	LV
2	PATT-COVER-SEAT-FRONT-UPPER-RH	56062-514-0920	↑	↑	↑
3	PATT-COVER-SEAT-FRONT-LOWER-LH	56062-514-0921			
4	PATT-COVER-SEAT-FRONT-LOWER-RH	56062-514-0922			
5	PATT-COVER-FRONT-LOWER-UPPER-LH	56062-514-0923			
6	PATT-COVER-FRONT-LOWER-UPPER-RH	56062-514-0924			
7	PATT-COVER-FRONT-LOWER-LH	56062-514-0925		-	-
8	PATT-COVER-FRONT-LOWER-RH	56062-514-0926		-	-
9	PATT-COWLING-OUTER-UPPER-LH	56062-514-0927		-	-
10	PATT-COWLING-OUTER-UPPER-RH	56062-514-0928		-	-
11	PATT-COWLING-OUTER-LOWER-LH	56062-514-0929		RC	LV
12	PATT-COWLING-OUTER-LOWER-RH	56062-514-0930		↑	↑
13	PATT-COWLING-LOWER-LH	56062-514-0931			
14	PATT-COWLING-LOWER-RH	56062-514-0932			
15	PATT-COWLING-LOWER-UPPER-LH	56062-514-0971			
16	PATT-COWLING-LOWER-UPPER-RH	56062-514-0970			
17	PATT-COWLING-LH	56062-514-0973			
18	PATT-COWLING-RH	56062-514-0972			
19	PATT-WHEEL LINING-MODENAS	56062-514-0974			
20	PATT-WHEEL LINING	56062-514-0975			
21	MARK-VITRO-FRONT	56051-513-0011	←		
22	MARK-VITRO-REAR	56051-514-0018	←		



PICTORIAL INDEX 2

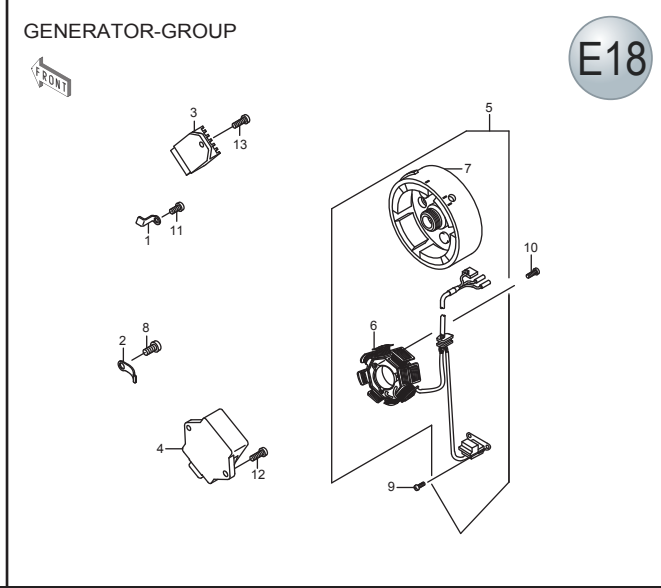
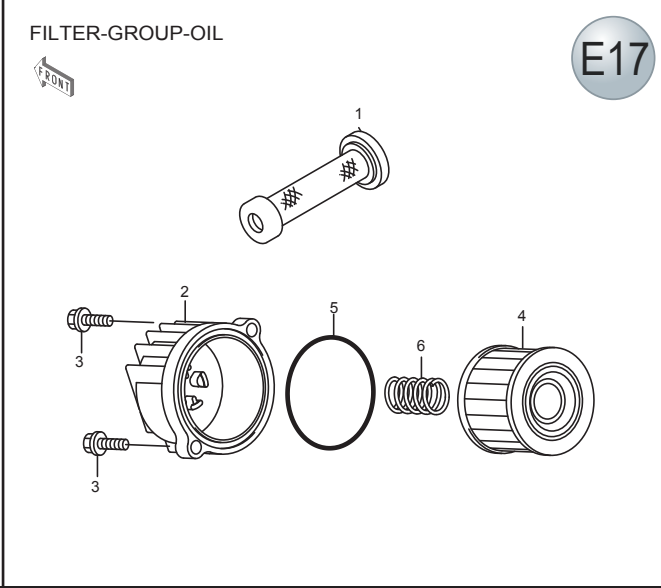
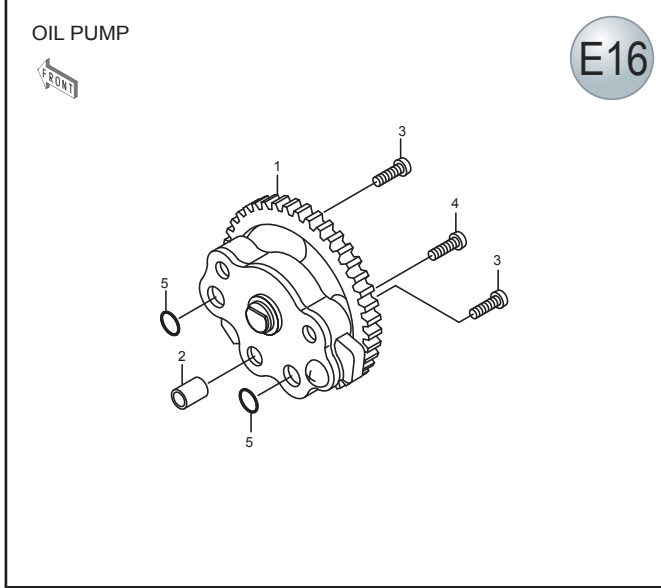
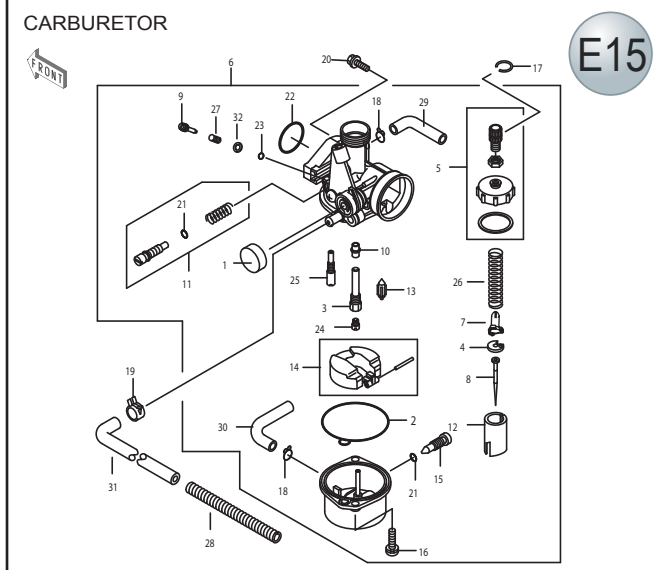
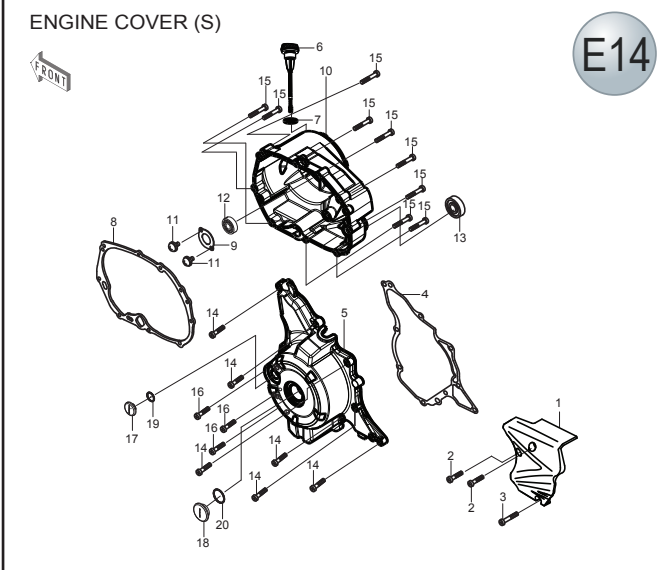
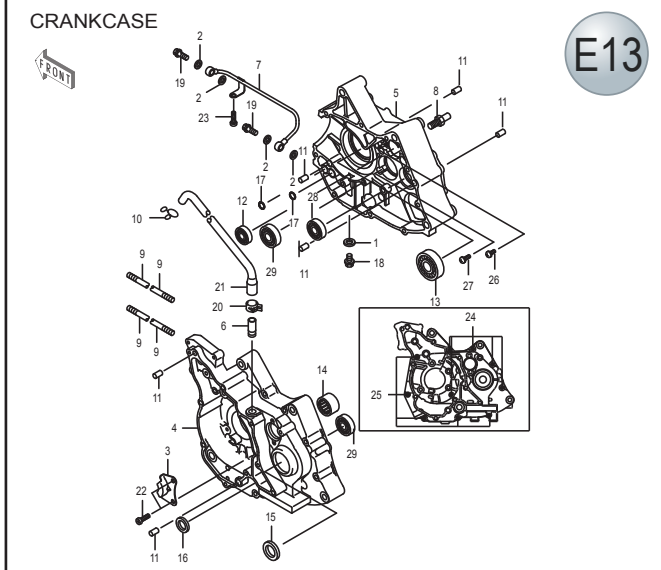
PICTORIAL INDEX

<p>HEAD-GROUP-CYLINDER</p> <p>E 1</p>	<p>PISTON-GROUP</p> <p>E 2</p>	<p>CYLINDER-GROUP</p> <p>E 3</p>
<p>AIR-CLEANER</p> <p>E 4</p>	<p>MUFFLER</p> <p>E 5</p>	<p>CAMSHAFT(S)/TENSIONER</p> <p>E 6</p>

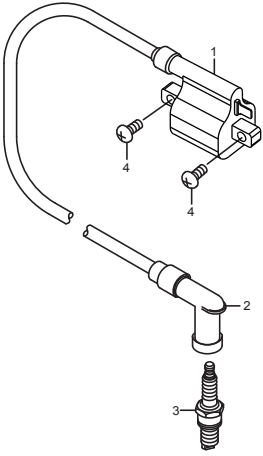
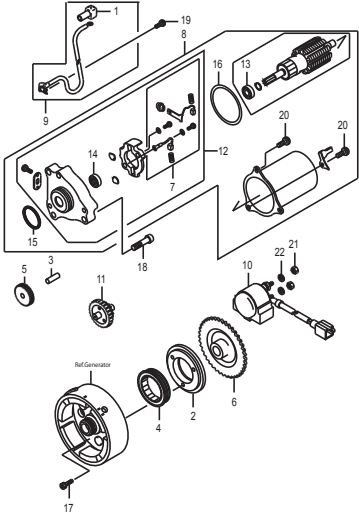
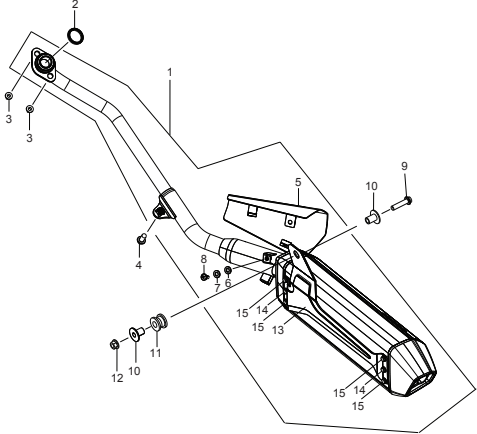
PICTORIAL INDEX

<p>CAMSHAFT-GROUP</p> <p>FRONT</p> <p>E7</p>	<p>CRANKSHAFT-GROUP</p> <p>FRONT</p> <p>E8</p>	<p>STARTER-GROUP-KICK</p> <p>FRONT</p> <p>E9</p>
<p>CLUTCH-GROUP</p> <p>FRONT</p> <p>E10</p>	<p>GEAR-GROUP-TRANSMISSION</p> <p>FRONT</p> <p>E11</p>	<p>MECHANISM-GROUP-CHANGE</p> <p>FRONT</p> <p>E12</p>

PICTORIAL INDEX



PICTORIAL INDEX

<p>IGNITION-GROUP</p>  <p style="text-align: right;">E19</p>	<p>STARTER-GROUP</p>  <p style="text-align: right;">E20</p>	<p>MUFFLER-GRUPP EURO III</p>  <p style="text-align: right;">E21</p>
<p>N/A</p> <p style="text-align: right;">E22</p>	<p>N/A</p> <p style="text-align: right;">E23</p>	<p>N/A</p> <p style="text-align: right;">E24</p>

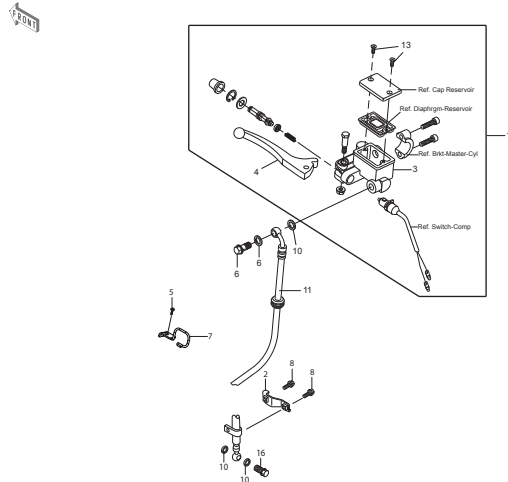
PICTORIAL INDEX

<p>FRAME-GROUP</p> <p>F 1</p>	<p>SWINGARM - SHOCKABSORBER</p> <p>F 2</p>	<p>STEP-GROUP</p> <p>F 3</p>
<p>TANK-GROUP-FUEL</p> <p>F 4</p>	<p>FRONT WHEEL (DISC-BRAKE)</p> <p>F 5</p>	<p>REAR-WHEEL</p> <p>F 6</p>

PICTORIAL INDEX

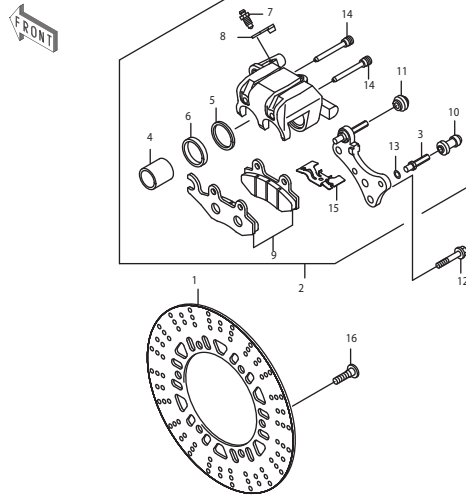
FRONT MASTER CYLINDER

F 7



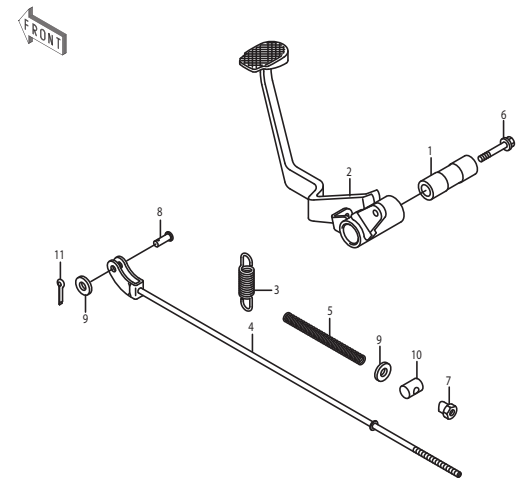
FRONT BRAKE (Disc brake)

F 8



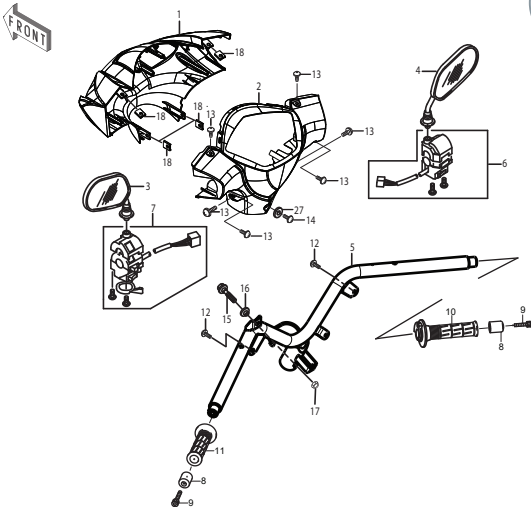
BRAKE PEDAL

F 9



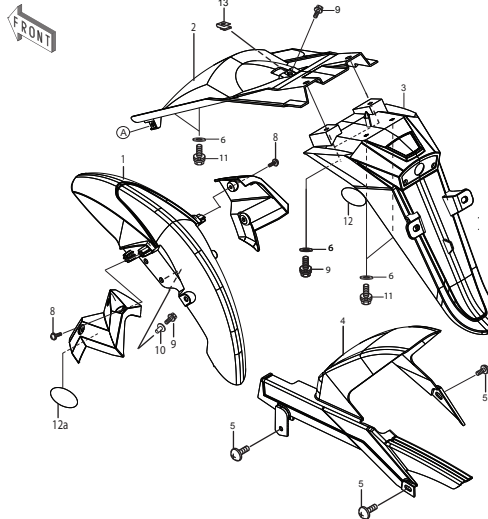
HANDLEBAR

F10



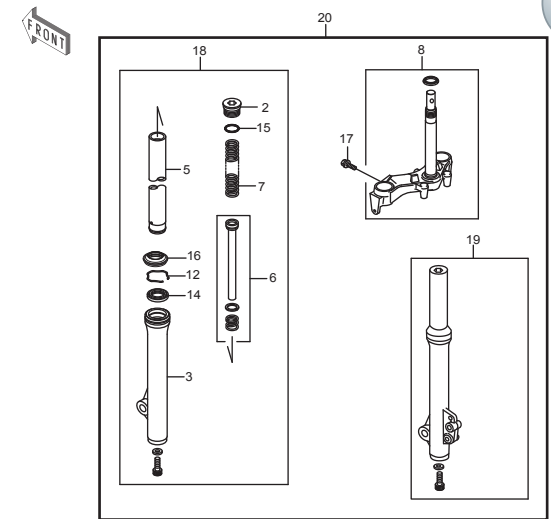
FENDERS

F11

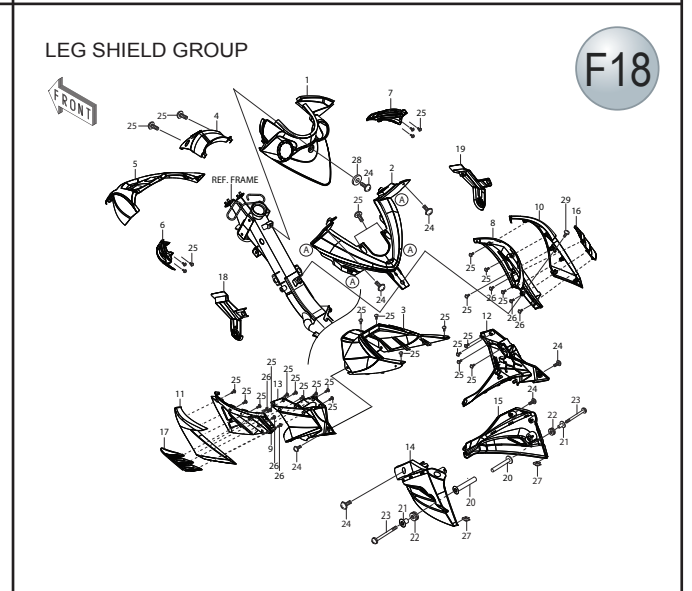
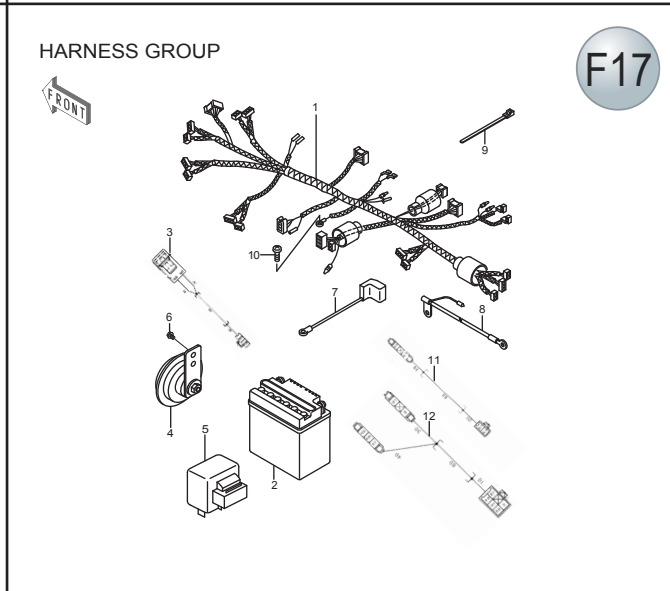
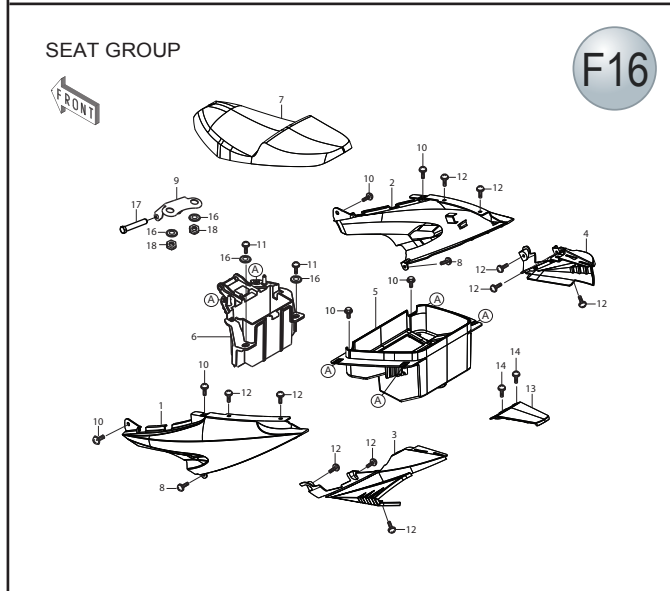
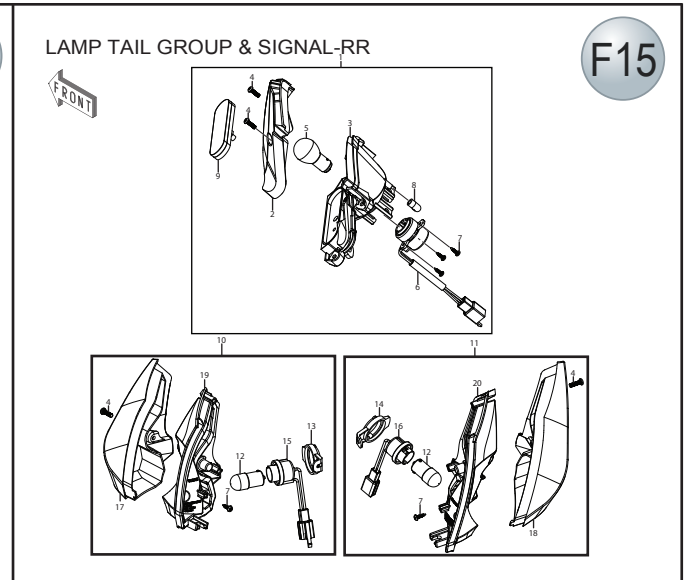
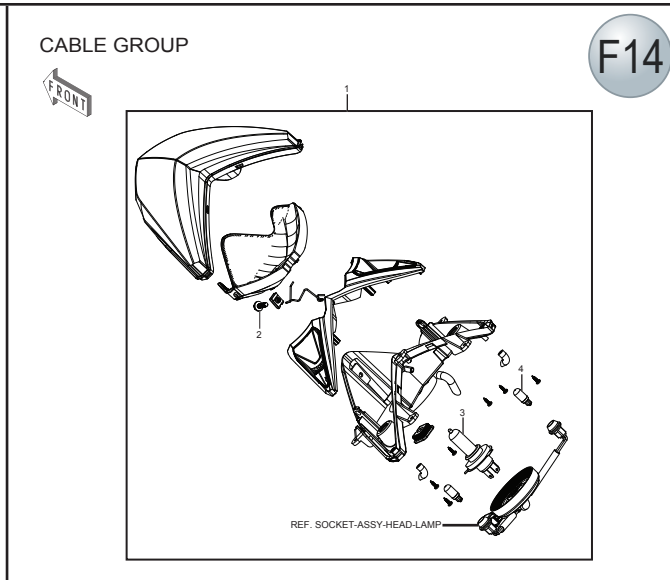
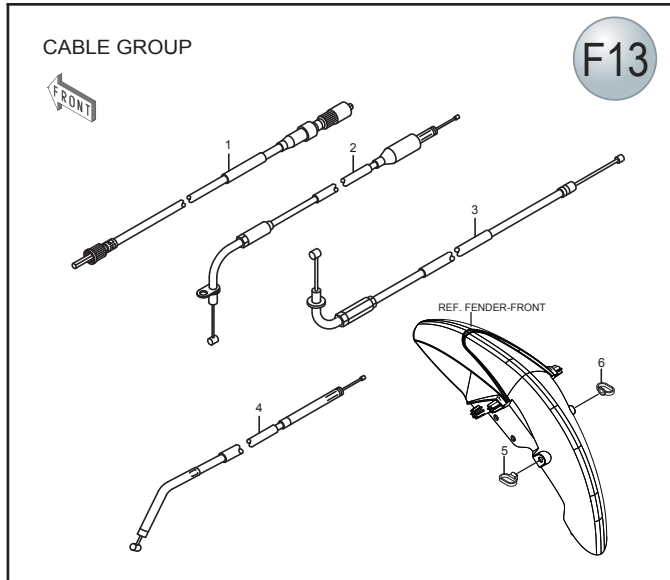


FRONT FORK GROUP

F12



PICTORIAL INDEX



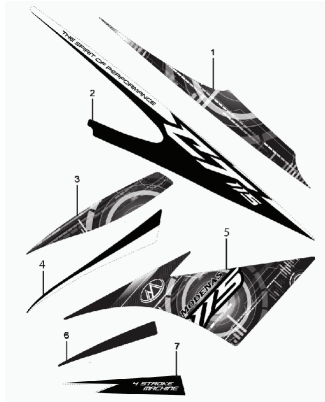
PICTORIAL INDEX

<p>SWITCH-GROUP F19</p>	<p>METER GROUP F20</p>	<p>SIGNAL-FRONT F21</p>
<p>DECO-LAMP F22</p>	<p>REGISTRATION-LAMP F23</p>	<p>SIGNAL-REAR F24</p>

PICTORIAL INDEX

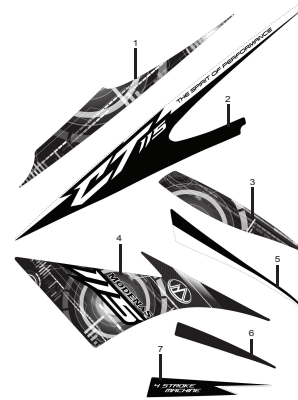
DECAL LH EURO 2

D 1



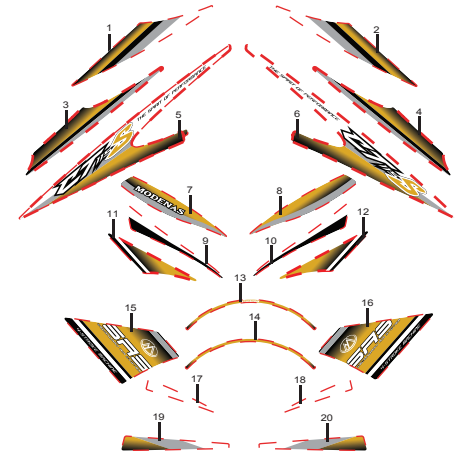
DECAL RH EURO 2

D 2



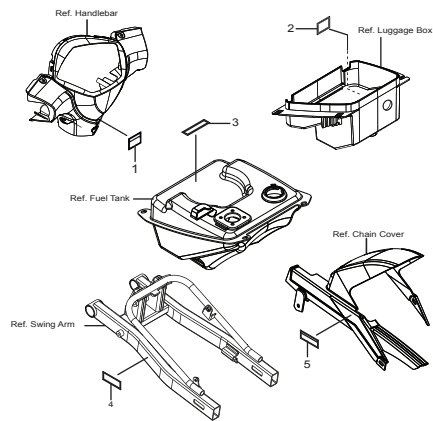
DECALS EURO 3

D 3



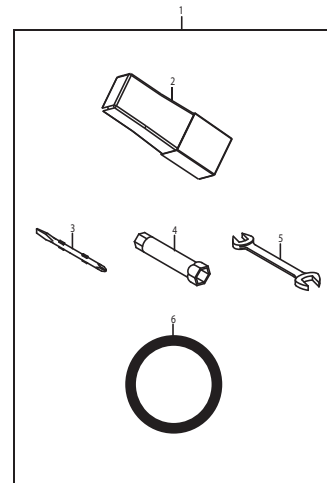
LABELS

D 4



OWNER'S TOOL

D 5



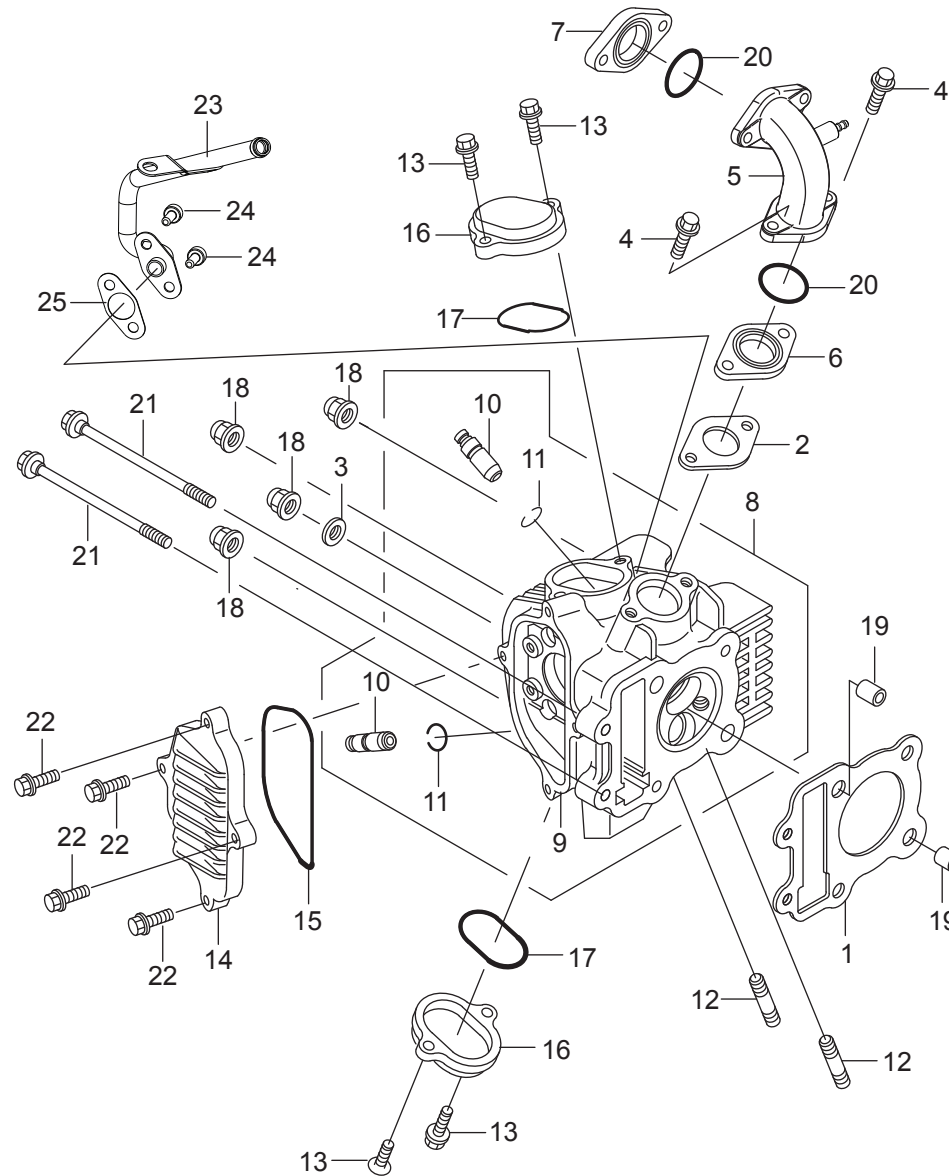
N/A

D 6



HEAD-GROUP-CYLINDER

FRONT

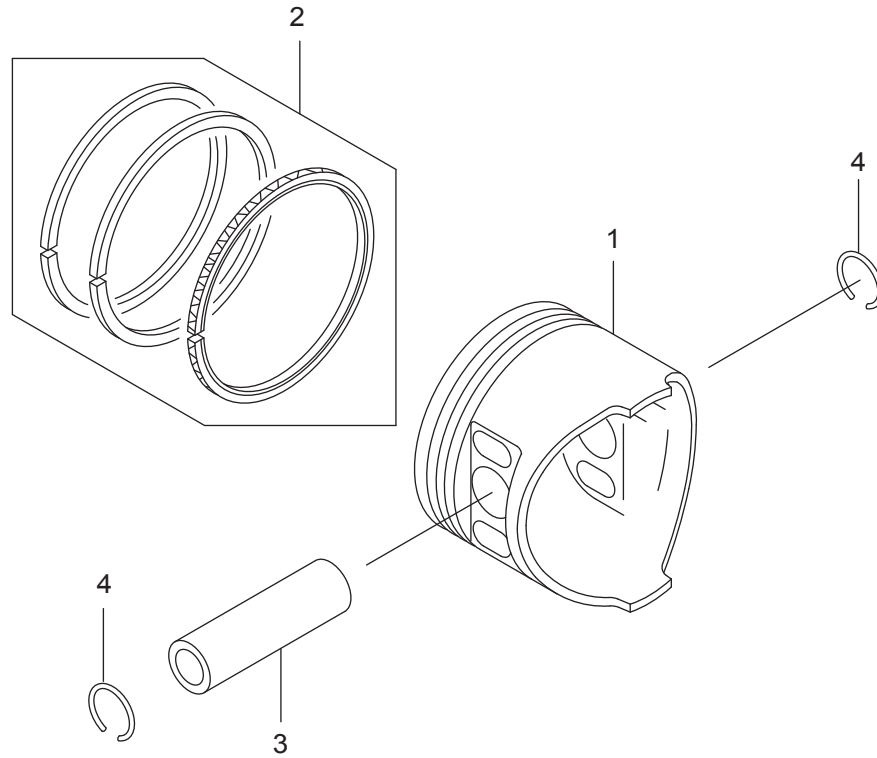


Ref. No.	Part No.	Description	Quantity	
			A2	A3
1	11004-U480	GASKET-HEAD	1	1
2	11060-1753	GASKET	1	1
3	11060-1862	GASKET	2	2
4	132G0625	BOLT-FLANGED-SMALL		1
5	16060-R868	PIPE-INTAKE	1	
	16060-510-0002	PIPE-INTAKE		1
6	16073-1101	INSULATOR	1	1
7	16073-1102	INSULATOR	1	1
8	11008-514-0017	HEAD-COMP-CYLINDER	1	
	11008-514-0018	HEAD-COMP-CYLINDER		1
9	11001-514-0020	HEAD-CYLINDER	1	
	11001-514-0019	HEAD-CYLINDER		1
10	49002-1146	GUIDE-VALVE	2	2
11	92033-1247	RING-SNAP	2	2
12	92004-1234	STUD	2	2
13	92153-510-0009	BOLT-FLANGED-SMALL M6X16	4	4
14	14090-U347	COVER	1	1
15	92055-1611	RING-O	1	1
16	11065-510-0008	CAP	2	2
17	92055-1608	RING-O	2	2
18	92015-1151	NUT	4	4
19	92043-1264	PIN	2	2
20	92055-1612	RING-O	2	2
21	92150-1761	BOLT	2	2
22	92153-0885	BOLT-FLANGED-SMALL	4	4
23	32150-514-0204	PIPE	1	
24	92151-1212	BOLT M5	2	
25	11060-512-0010	GASKET	1	

Additional parts for Euro 3

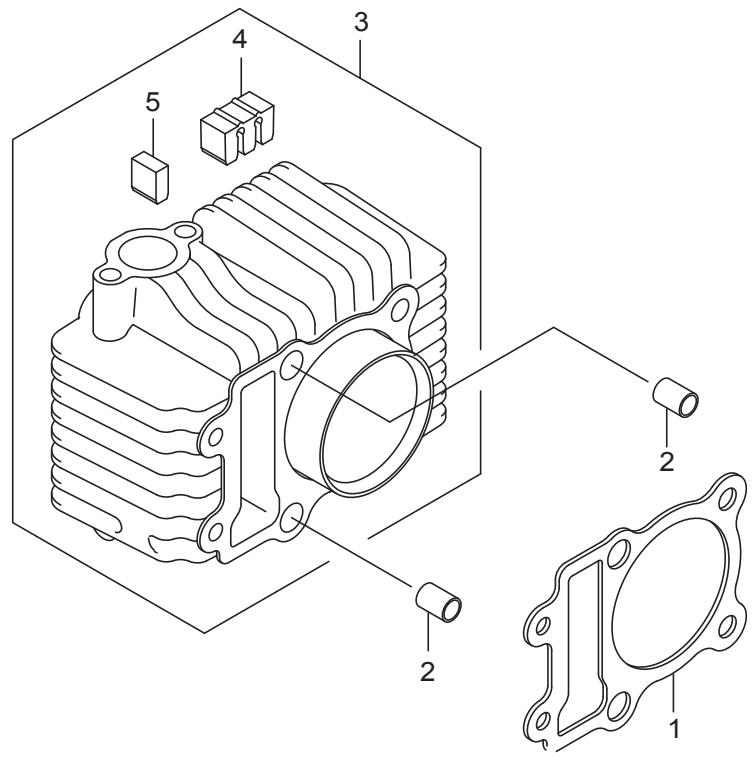
No. 5 Pipe-Intake
 No. 8 Head-Comp-Cylinder
 No. 9 Head-Cylinder
 No. 23 Pipe
 No. 24 Bolt M5
 No. 25 Gasket

PISTON-GROUP



Ref. No.	Part No.	Description	Quantity	
			A2	A3
1	13027-0012	PISTON-ENGINE	1	1
	13027-1186	PISTON-ENGINE LL, O/S 1.00	1	1
2	13024-0008	RING-SET-PISTON,STD	1	1
	13024-1107	RING-SET-PISTON LL, O/S 1.00	1	1
3	13002-1110	PIN-PISTON	1	1
4	92033-1072	RING-SNAP	2	2

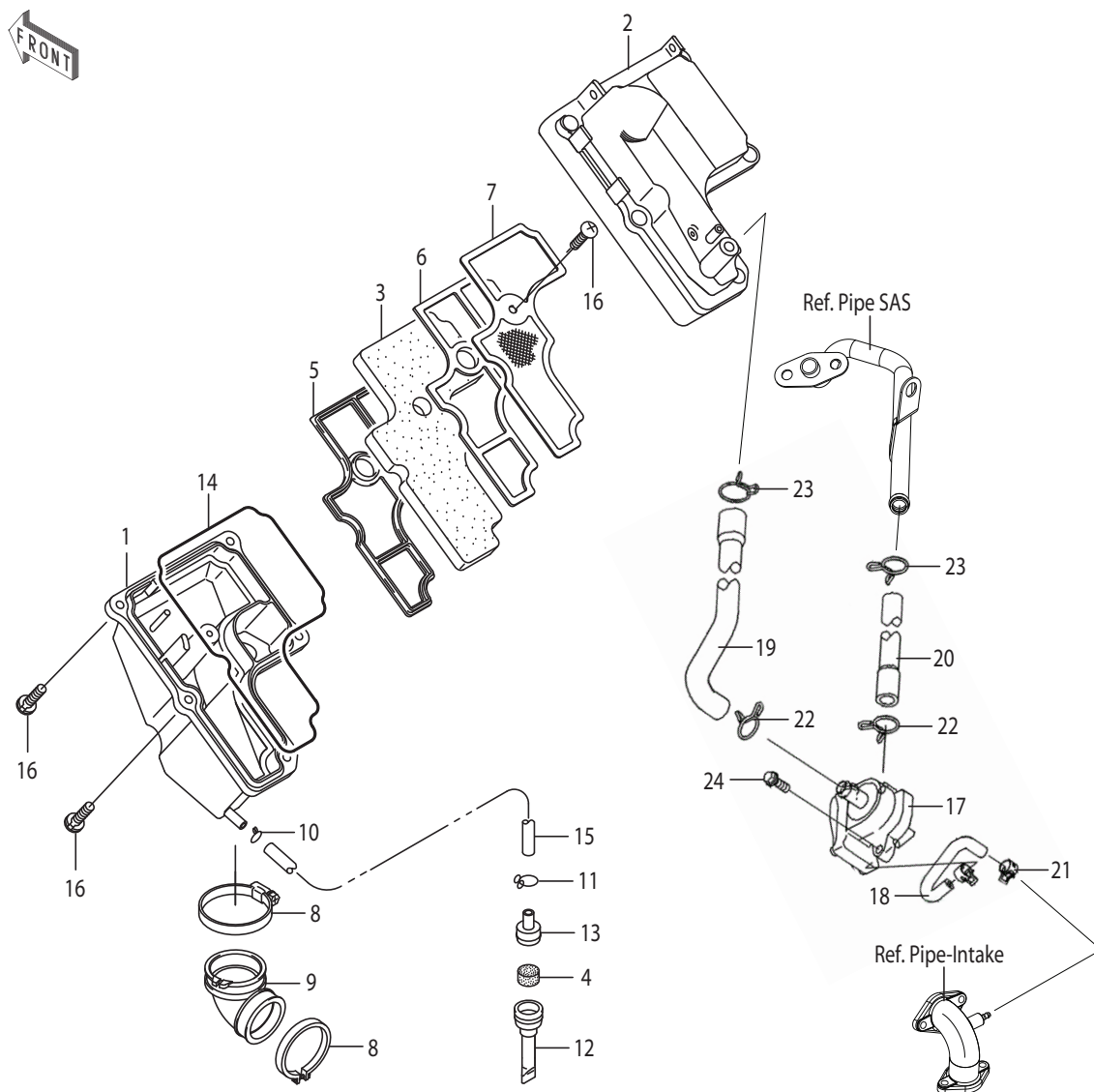
CYLINDER-GROUP



Ref. No.	Part No.	Description	Quantity		
			A2	A3	

1	11060-1754	GASKET	1	1	
2	92043-1264	PIN	2	2	
3	98111-514-0011	CYLINDER-COMP-ENGINE	1	1	
4	92160-1836	DAMPER	5	5	
5	92160-1837	DAMPER	4	4	

AIR CLEANER

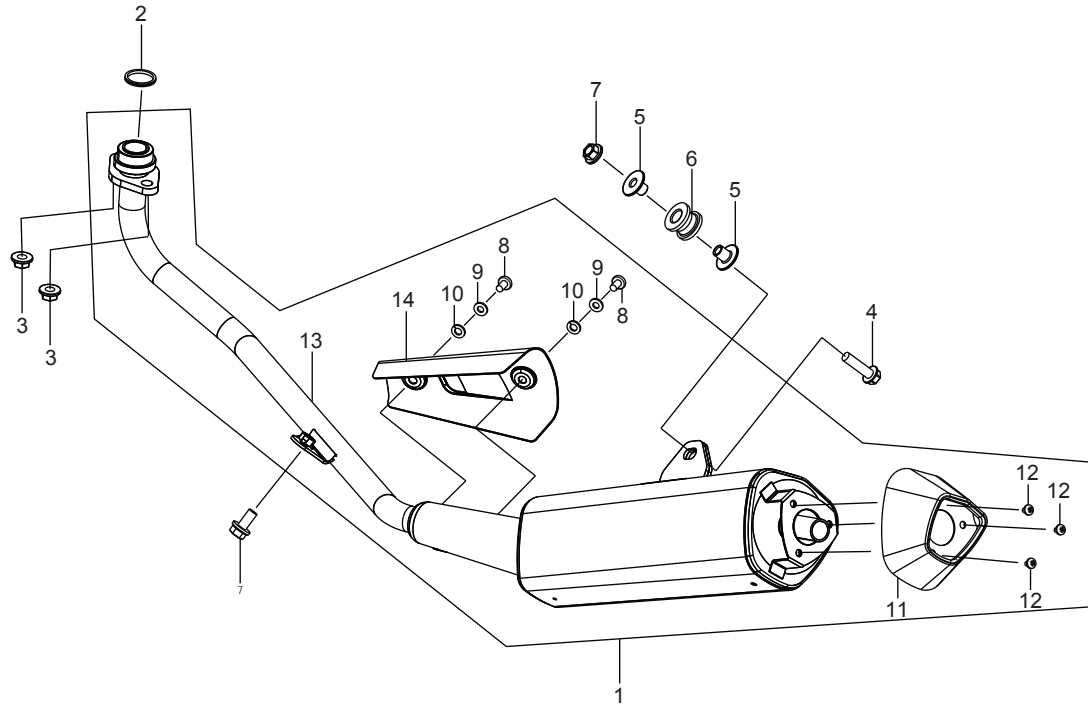


Ref. No.	Part No.	Description	Quantity	
			A2	A3
1	11011-M676	CASE-AIR FILTER	1	1
2	11012-514-0014	CAP, AIR FILTER		1
	11012-514-0013	CAP, AIR FILTER	1	
3	11013-1241	ELEMENT-AIR FILTER	1	1
4	11013-1245	ELEMENT-AIR FILTER	1	1
5	13270-1351	PLATE	1	1
6	13270-1352	PLATE	1	1
7	14037-1204	SCREEN	1	1
8	92009-510-0009	CLAMP	2	2
9	14073-1671	DUCT	1	1
10	92037-1712	CLAMP	2	2
11	92037-1972	CLAMP, TUBE	1	1
12	49006-1223	BOOT, DRAIN	1	1
13	59071-1127	JOINT, DRAIN	1	1
14	92093-1362	SEAL	1	1
15	92191-1100	TUBE, DRAIN, 7X 10 X 270	1	1
16	92172-0401	SCREW 6 X 20	6	6
17	16126-0052	VALVE-SECONDARY-AIR	1	
18	92190-514-0013	TUBE-FITTING-ACV	1	
19	92190-514-0012	TUBE-AC-ACV	1	
20	92120-514-0011	TUBE-HEAT-ACV	1	
21	92037-1601	CLAMP	2	
22	92173-1593	CLAMP	2	
23	92173-0795	CLAMP	2	
24	92151-510-0006	BOLT-FLANGE M6 X 22	2	

Additional parts for Euro 3

- No. 1 Cap-Air-Filter
- No. 17 Valve-Secondary-Air
- No. 18 Tube-Fitting-ACV
- No. 19 Tube-AC-ACV
- No. 20 Tube-Heat-ACV
- No. 21 Clamp
- No. 22 Clamp
- No. 23 Clamp
- No. 24 Bolt-Flange M6 X 22

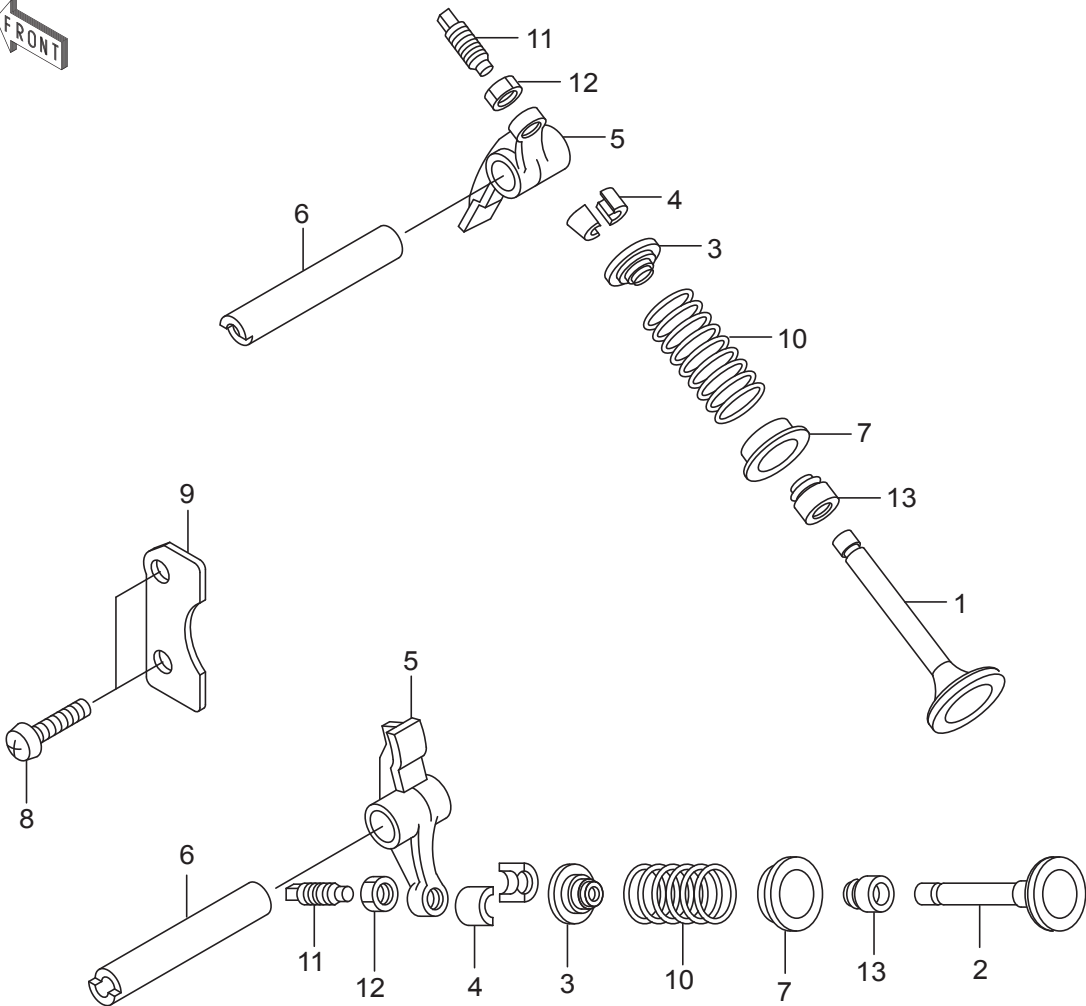
MUFFLER



Ref. No.	Part No.	Description	Quantity		
			A2	A3	
1	18087-514-0034	MUFFLER-COMP (W/O-CATALYST)	1		
2	11060-504-0005	GASKET	1		
3	92015-1331	NUT	2		
4	130Y0835	BOLT 8X35	1		
5	92027-1653	COLLAR	1		
6	92160-1116	DAMPER	1		
7	183H0816	BOLT-UPSET-WS SMALL	1		
8	92009-514-0060	SCREW M6	2		
9	411B0600	WASHER-PLAIN-SMALL	2		
10	462F0600	WASHER-SPRING	2		
11	49106-514-0034	COVER-REAR	1		
12	92009-514-0059	SCREW M5	3		
13	49070-514-0035	MUFFLER (W/O-CATALYST)	1		
14	49106-514-0032	COVER-FRONT	1		

VALVE-GROUP

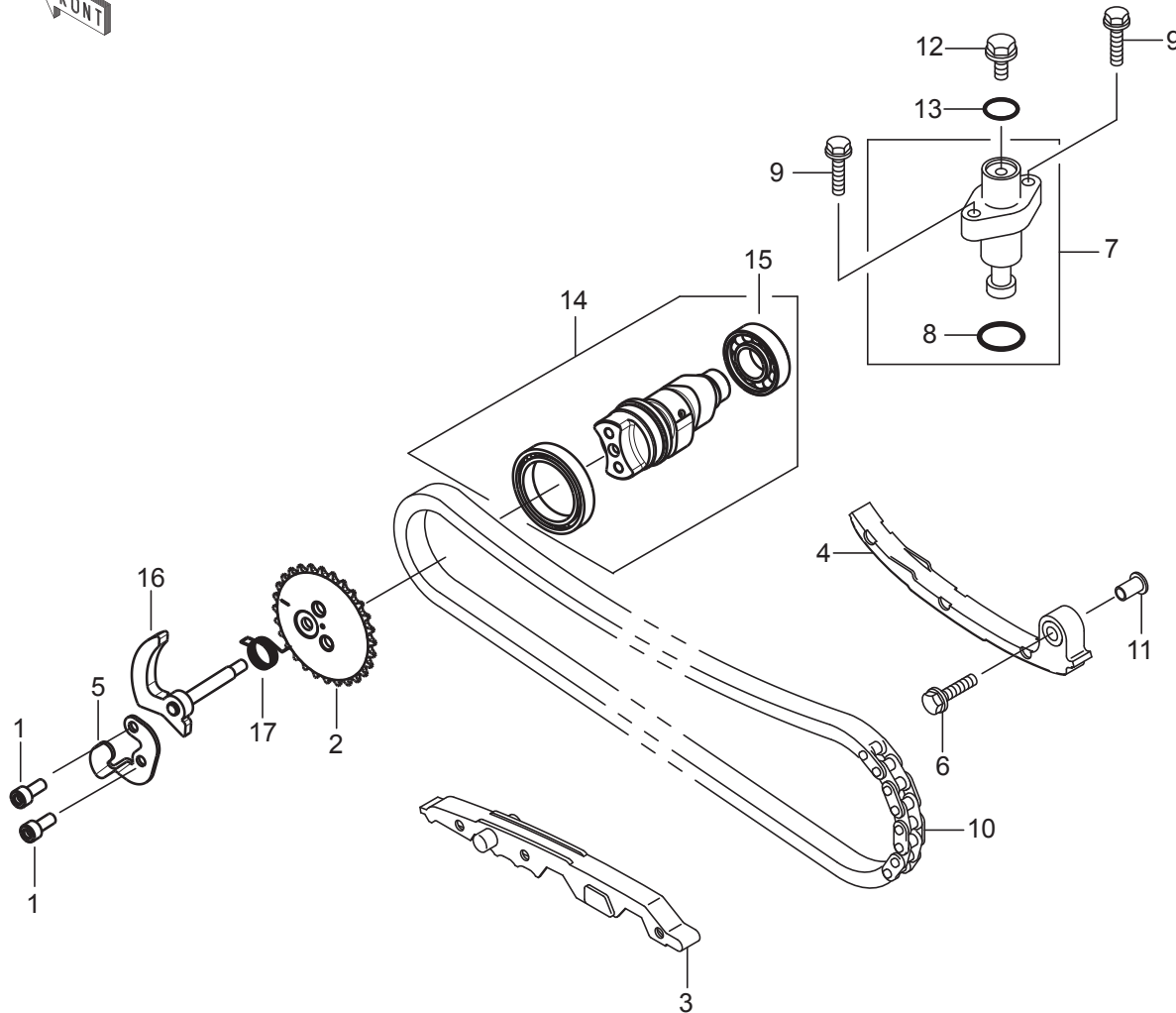
FRONT



Ref. No.	Part No.	Description	Quantity	
			A2	A3
1	12004-1128	VALVE-INTAKE	1	1
	12004-0710	VALVE-INTAKE (OPTION)	1	1
2	12005-1278	VALVE-EXHAUST	1	1
	12005-0713	VALVE-EXHAUST (OPTION)	1	1
3	12009-1073	RETAINER-VALVE SPRING	2	2
4	12011-1053	COLLET	4	4
5	12016-0001	ARM-ROCKER	2	2
6	12020-1073	SHAFT-ROCKER	2	2
	16007-1187	SEAT-SPRING	2	2
8	220B0614	SCREW-PAN-CROSS	2	2
9	32085-101-0003	STOPPER	1	1
10	49078-1151	SPRING-ENGINE VALVE	2	2
11	92009-1109	SCREW	2	2
12	92015-1137	NUT	2	2
13	92049-1512	SEAL-OIL	2	2

CAMSHAFT-GROUP

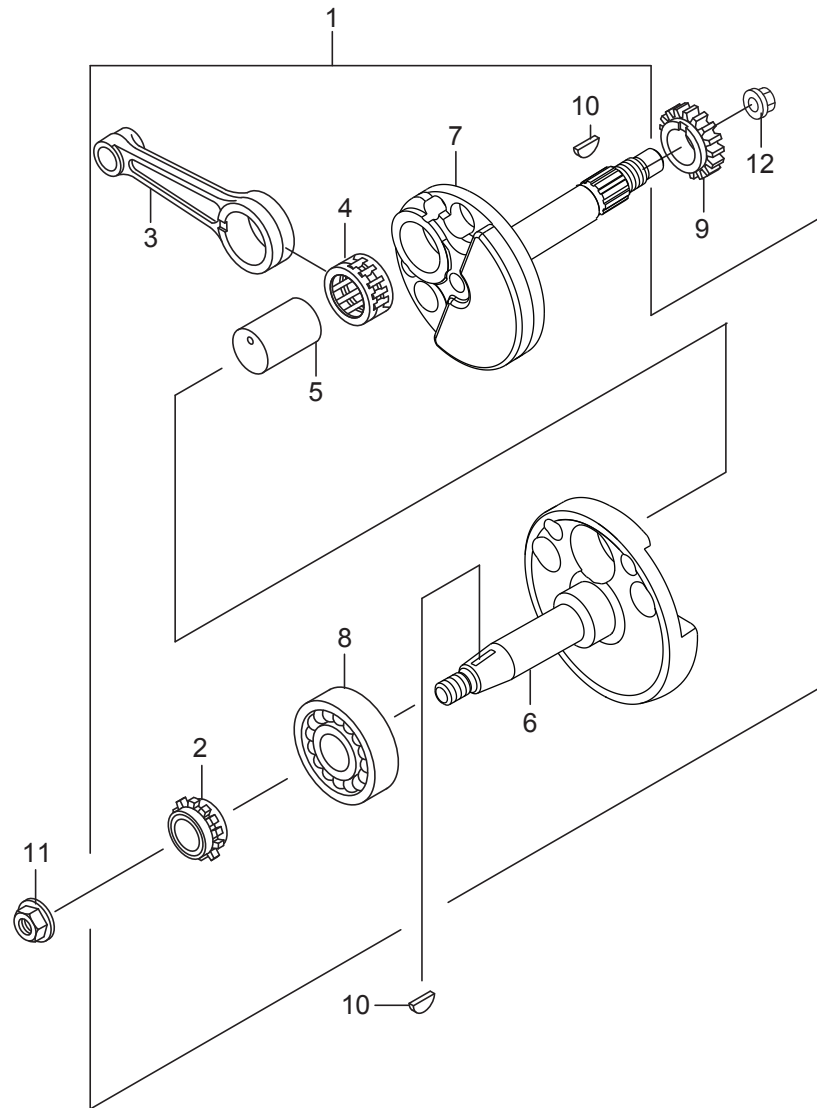
FRONT



Ref. No.	Part No.	Description	Quantity	
			A2	A3
1	92151-101-0005	BOLT-SOCKET	2	2
2	12046-101-0002	SPROCKET	1	1
3	12053-1393	GUIDE-CHAIN	1	1
4	12053-0012	GUIDE-CHAIN	1	1
5	13270-101-0001	PLATE-STOPPER	1	1
6	132G0625	BOLT-FLANGED-SMALL	1	1
7	12048-0009	TENSIONER-ASSY	1	1
8	670D2021	O-RING	1	1
9	130Y0625	BOLT-FLANGED	2	2
10	92057-0031	CHAIN	1	1
11	92143-1857	COLLAR	1	1
12	92150-1380	BOLT	1	1
13	92055-1605	O-RING	1	1
14	49118-514-0009	CAMSHAFT-COMP	1	1
15	601B6002Z	BEARING-BALL 6002ZC3	1	1
16	21118-101-0001	DECOMPRESSOR	1	1
17	92145-101-0001	SPRING	1	1

CRANKSHAFT-GROUP

FRONT

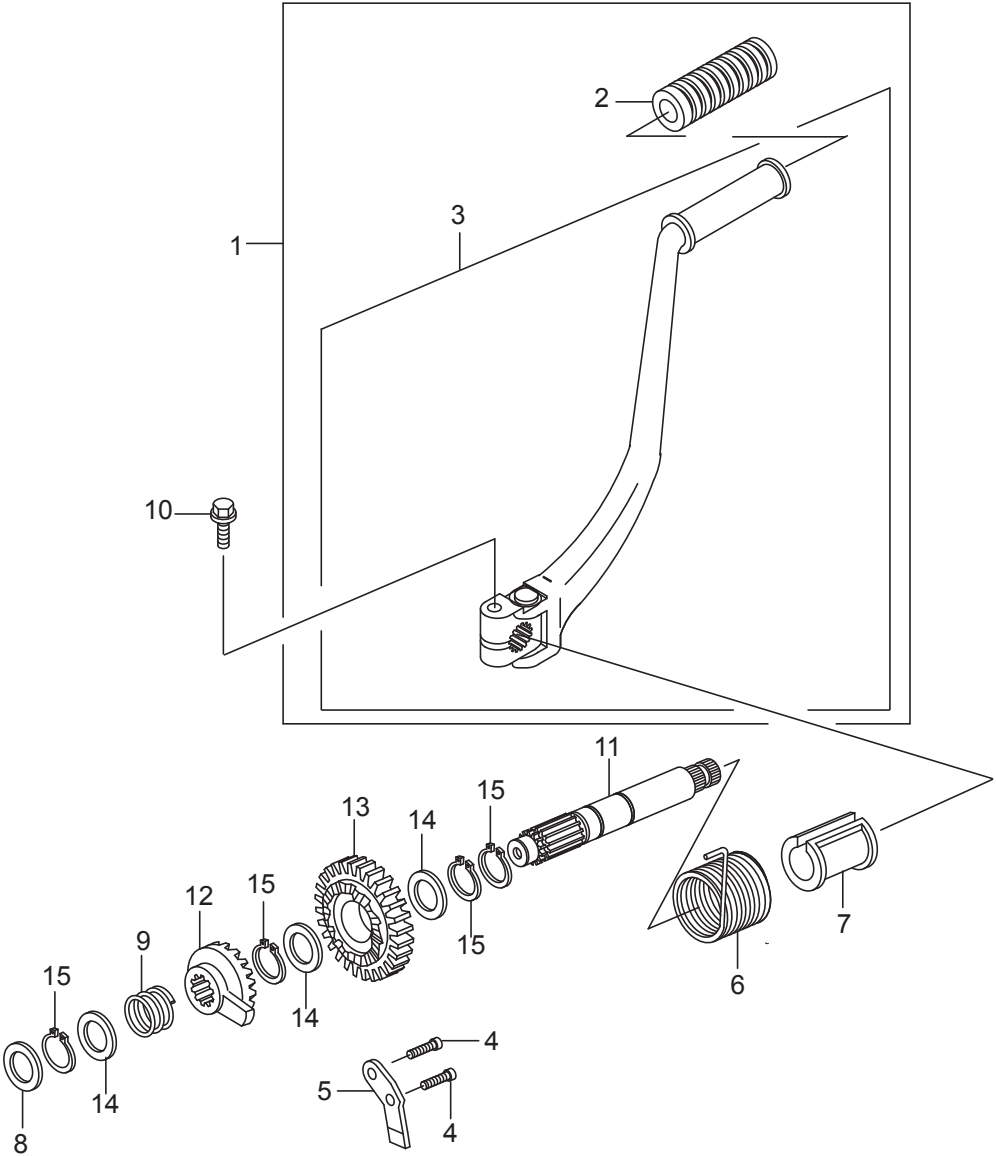


Ref. No.	Part No.	Description	Quantity	
			A2	A3
1	13031-514-0006	CRANKSHAFT-COMP	1	1
2	12046-0046	SPROCKET	1	1
3	13032-0074	ROD-CONNECTING	1	1
4	13034-0010	BEARING-BIG-END	1	1
5	13035-514-0003	PIN-CRANK	1	1
6	13037-514-0019	CRANKSHAFT-LH	1	1
7	13037-514-0020	CRANKSHAFT-RH	1	1
8	92045-1293	BEARING-BALL	1	1
9	16085-1267	GEAR	1	1
10	510A3200	KEY-WOODRUFF	2	2
11	92015-077	NUT	1	1
12	92210-0928	NUT	1	1

Additional parts for Euro 3

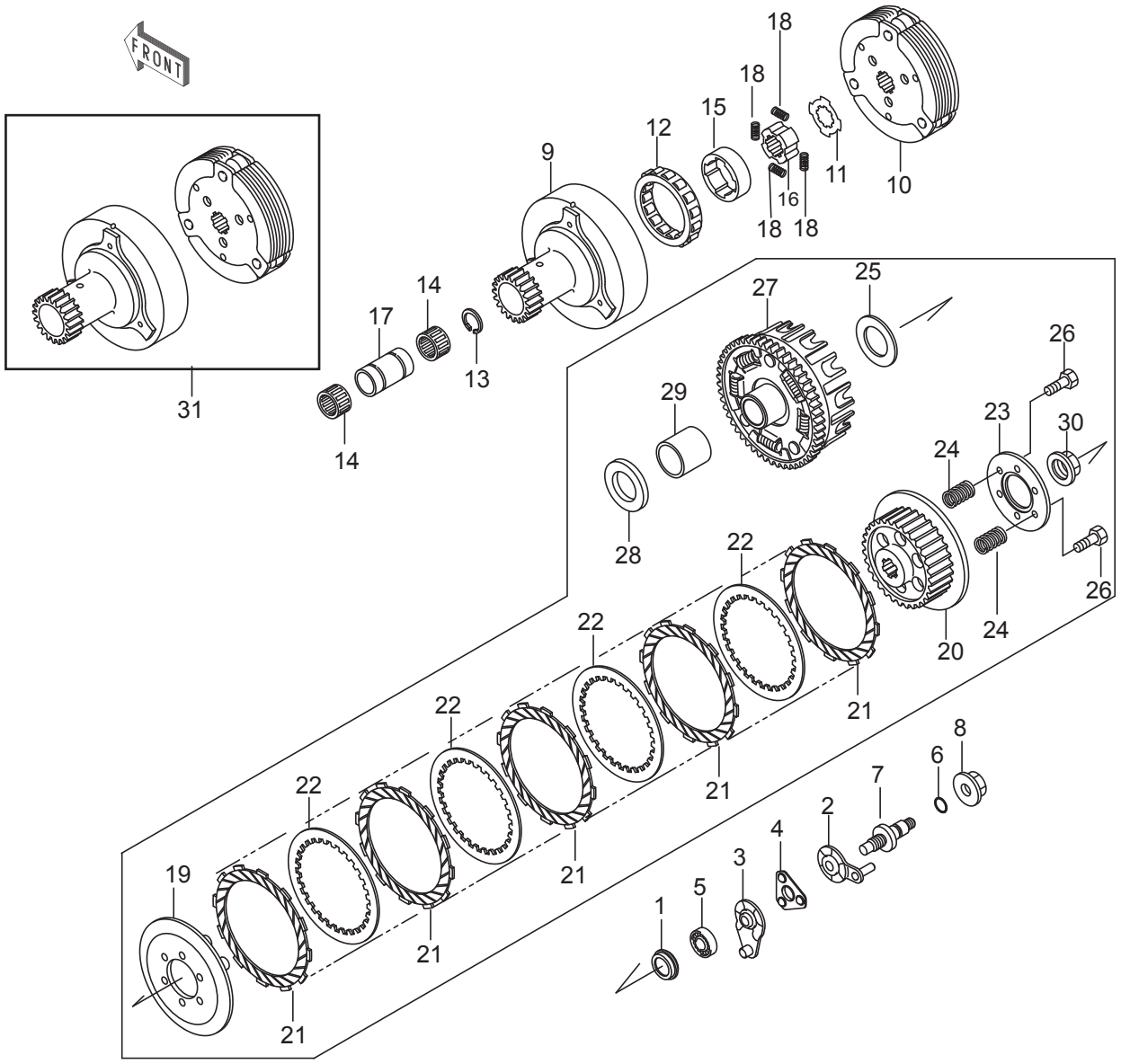
No. 6 Crankshaft-L
No. 7 Crankshaft-R

STARTER-GROUP-KICK



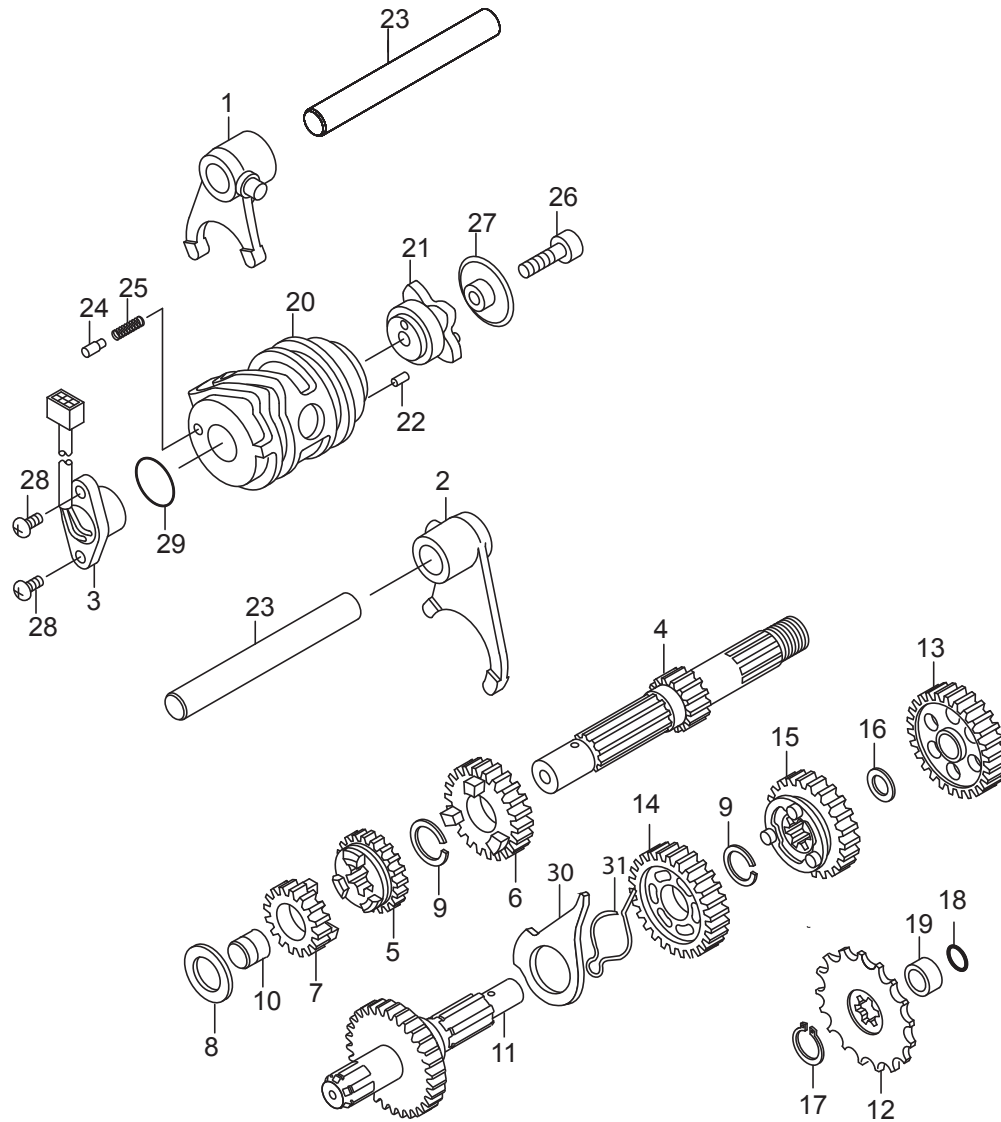
Ref. No.	Part No.	Description	Quantity	
			A2	A3
1	16132-514-0001	LEVER-KICK-COMP	1	1
2	13063-002	DAMPER	1	1
3	13064-513-0013	LEVER-KICK	1	1
4	92009-1104	SCREW	2	2
5	13206-1006	GUIDE-KICK	1	1
6	92081-1276	SPRING	1	1
7	13070-1035	GUIDE	1	1
8	92022-1224	WASHER	1	1
9	92081-122	SPRING	1	1
10	92153-U244	BOLT FLANGED	1	1
11	13066-1089	SHAFT-KICK	1	1
12	13078-1052	RATCHET	1	1
13	59051-1380	GEAR-SPUR	1	1
14	92022-315	WASHER	3	3
15	92033-0030	RING-SNAP	4	4

CLUTCH-GROUP



Ref. No.	Part No.	Description	Quantity		
			A2	A3	
1	13091-1787	HOLDER	1	1	
2	13102-1135	RELEASE-COMP-CLUTCH	1	1	
3	13102-1136	RELEASE-COMP-CLUTCH	1	1	
4	14020-1110	RETAINER	1	1	
5	92045-1123	BEARING-BALL	1	1	
6	92055-1603	RING-O	1	1	
7	92151-1069	BOLT	1	1	
8	92210-0198	NUT	1	1	
9	13095-1309	HOUSING-COMP-CLUTCH	1	1	
10	41036-1153	HUB-ASSY	1	1	
11	13183-1480	PLATE	1	1	
12	13194-1103	CLUTCH-ONEWAY	1	1	
13	92033-1240	RING-SNAP	1	1	
14	92046-1223	BEARING-NEEDLE	2	2	
15	92048-1074	RACE	1	1	
16	92143-1661	COLLAR	1	1	
17	92143-1696	COLLAR	1	1	
18	92144-1556	SPRING	4	4	
19	13086-1071	WHEEL-CLUTCH	1	1	
20	13087-1151	HUB-CLUTCH	1	1	
21	13088-1111-E	PLATE-FRICTION	5	5	
22	13089-1087	PLATE-CLUTCH	4	4	
23	13091-1782	HOLDER	1	1	
24	92144-101-0002	SPRING	6	6	
25	92026-1415	SPACER	1	1	
26	112G0520	BOLT 5 X 20	6	6	
27	13095-1348	HOUSING-COMP-CLUCTH	1	1	
28	92026-1464	SPACER	1	1	
29	92143-1663	COLLAR	1	1	
30	92210-0928	NUT	1	1	
31	13081-1500-AMNA	CLUTCH-ASSY	1	1	

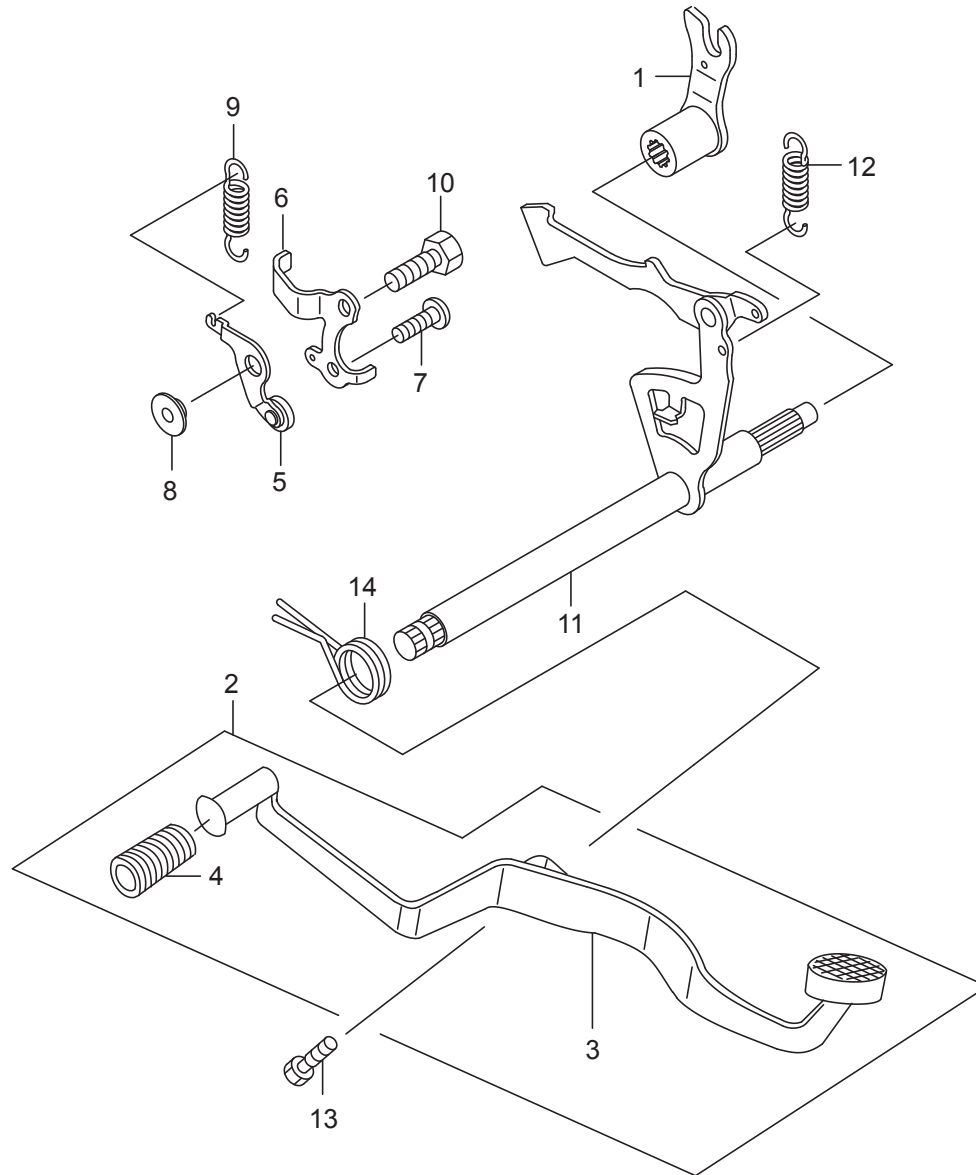
GEAR-GROUP-TRANSMISSION



Ref. No.	Part No.	Description	Quantity		
			A2	A3	
1	13140-0059	FORK-SHIFT	1	1	
2	13140-1263	FORK-SHIFT	1	1	
3	13151-512-0001	SWITCH-COMP	1	1	
4	13127-1275	SHAFT-TRANSMISSION INPUT 1ST, 11T	1	1	
5	13260-1839	GEAR-3RD,20T	1	1	
6	13262-0666	GEAR-INPUT TOP,23T	1	1	
7	13260-1986	GEAR-INPUT 2 ND, 16T	1	1	
8	92026-1091	SPACER	1	1	
9	92033-1060	RING-SNAP	2	2	
10	92139-1102	BUSHING	1	1	
11	13128-0042	SHAFT-TRANSMISSION OUTPUT 2ND, 31T	1	1	
12	13144-1186	SPROCKET-OUTPUT 14T	1	1	
13	13260-1841	GEAR-OUTPUT-LOW	1	1	
14	13260-1842	GEAR-OUTPUT-THIRD	1	1	
15	13262-0667	GEAR-OUTPUT-TOP	1	1	
16	92025-1280	SHIM	1	1	
17	480J1700	CIRCLIP	1	1	
18	92055-1609	RING-O	1	1	
19	92143-1680	COLLAR	1	1	
20	13141-1222	DRUM-CHANGE	1	1	
21	13145-1081	CAM-CHANGE DRUM	1	1	
22	610A0408	ROLLER	1	1	
23	49047-0001	ROD-SHIFT	2	2	
24	92043-1385	PIN	1	1	
25	92144-1245	SPRING	1	1	
26	92150-1433	BOLT	1	1	
27	13280-1228	HOLDER	1	1	
28	92009-1845	SCREW	2	2	
29	92055-1607	RING-O	1	1	
30	32085-1515	STOPPER	1	1	
31	92145-1381	SPRING	1	1	

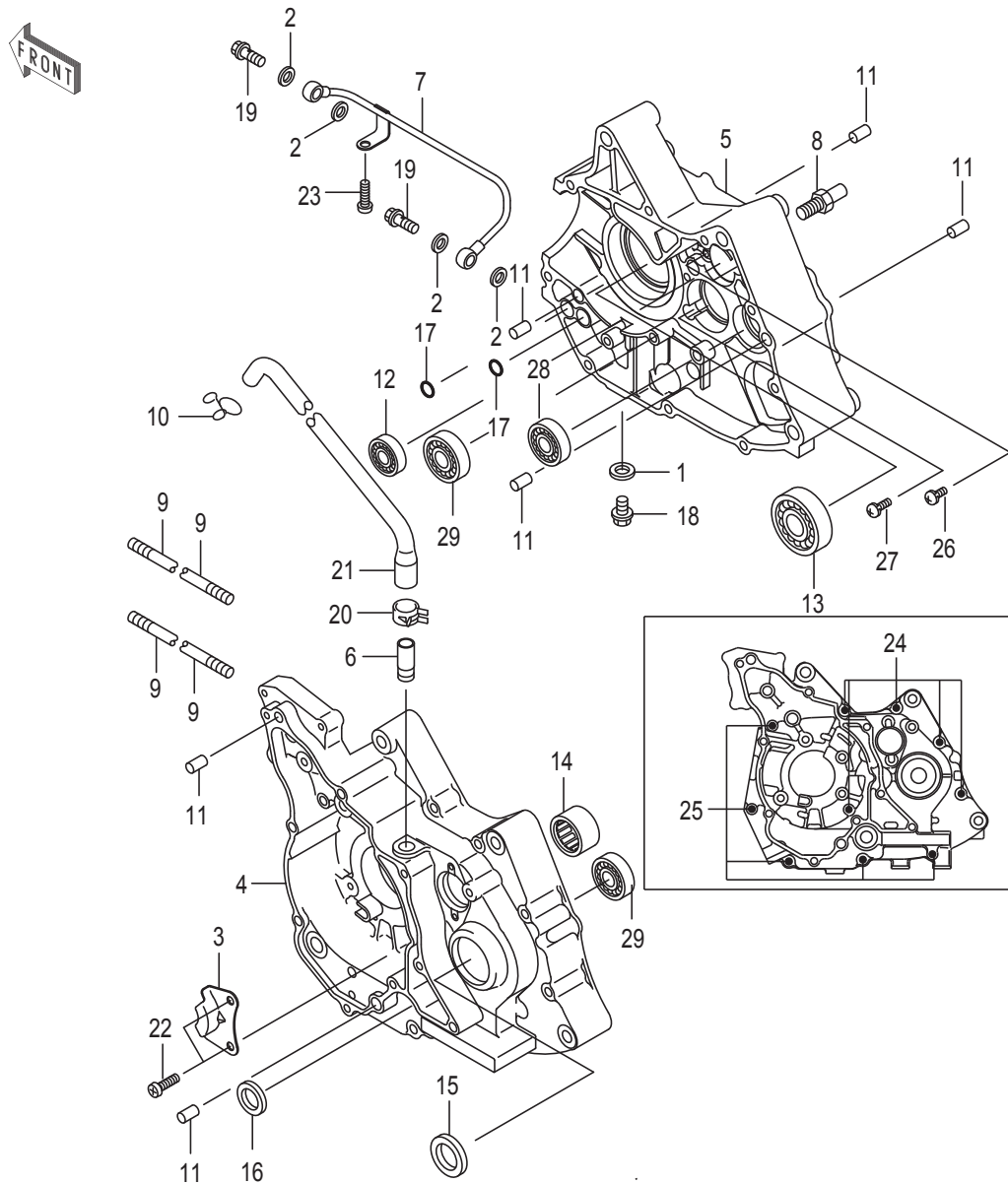
MECHANISM-GROUP-CHANGE

FRONT



Ref. No.	Part No.	Description	Quantity	
			A2	A3
1	13236-1288	LEVER-COMP	1	1
2	13242-N510	LEVER-ASSY-CHANGE	1	1
3	13156-M374	LEVER-CHANGE (DB)	1	1
4	13157-004	DAMPER	1	1
5	13236-T546	LEVER- COMP	1	1
6	14014-0010	PLATE-POSITION	1	1
7	220B0614	SCREW-PAN-CROSS	1	1
8	92026-1217-1A	SPACER	1	1
9	92144-1590-MDN	SPRING	1	1
10	92150-1626-MDN	BOLT	1	1
11	13161-1205	LEVER-COMP-CHANGE SHAFT	1	1
12	92145-1552	SPRING	1	1
13	92002-1237-MDN	BOLT	1	1
14	92144-1107-MDN	SPRING	1	1

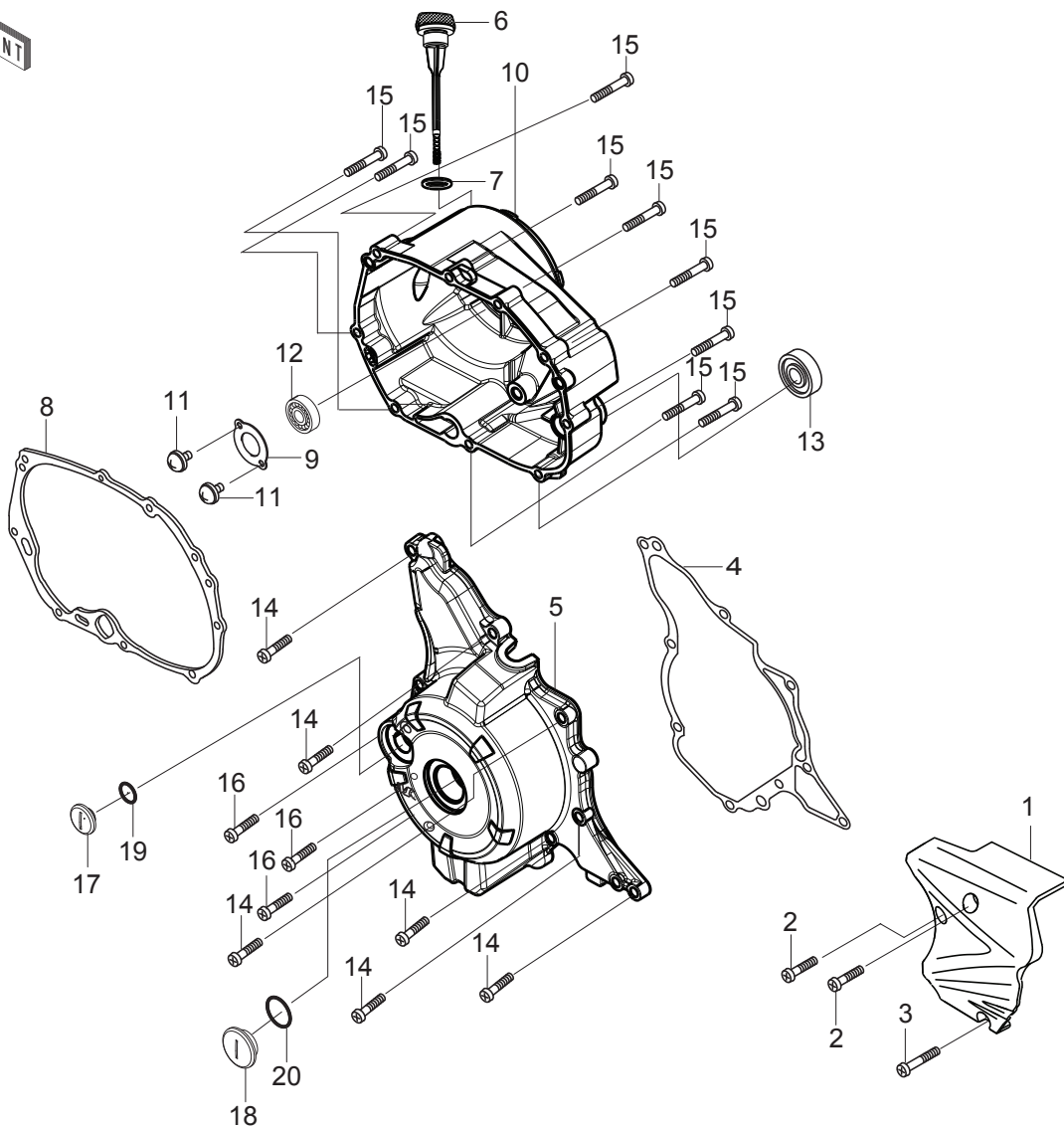
CRANKCASE-GROUP



Ref. No.	Part No.	Description	Quantity	
			A2	A3
1	11060-510-0007	GASKET DRAIN PLUG	1	1
2	11009-1344	GASKET, OIL PIPE	4	4
3	13070-1279	GUIDE	1	1
4	14002-514-0005	CRANKCASE, LH (AFTER M/C)	1	0
5	14002-514-0004	CRANKCASE, RH (AFTER M/C)	1	1
6	32151-1961	PIPE	1	1
7	32152-U425	PIPE-OIL	1	1
8	92001-1455	BOLT	1	1
9	92004-053	STUD	4	4
10	92037-1972	CLAMP	1	1
11	92043-1263	PIN	6	6
12	92045-1171	BEARING-BALL	1	1
13	92045-1293	BEARING-BALL	1	1
14	92046-1148-MDN	BEARING-NEEDLE	1	1
15	92049-1511	SEAL-OIL	1	1
16	92051-005	SEAL-OIL	1	1
17	92055-1604	O RING , 10MM	2	2
18	92066-1174	PLUG, OIL DRAIN	1	1
19	92150-1556	BOLT	2	2
20	92171-1466	CLAMP	1	1
21	92190-1498	TUBE	1	1
22	220B0614	SCREW-PAN-WP-CROSS	2	2
23	92172-0157	SCREW	1	1
24	92172-0161	SCREW	5	5
25	92172-0163	SCREW	5	5
26	235B0510	SCREW-PAN-WP-CROSS	2	2
27	235B0614	SCREW-PAN-WP-CROSS	1	1
28	601A6201-MDN	BEARING-BALL	1	1
29	601A6203	BEARING-BALL	2	2

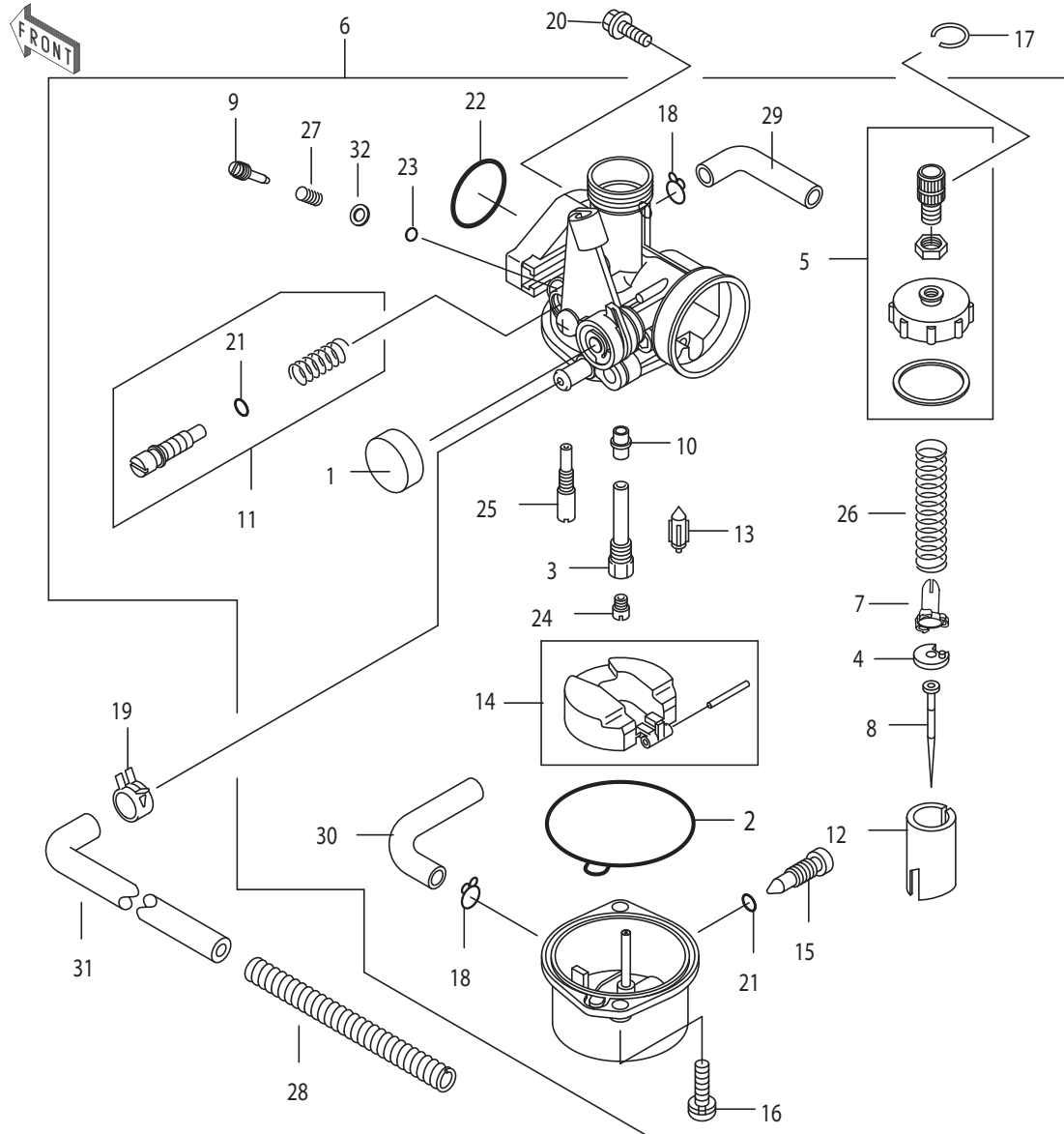
COVER-GROUP

FRONT



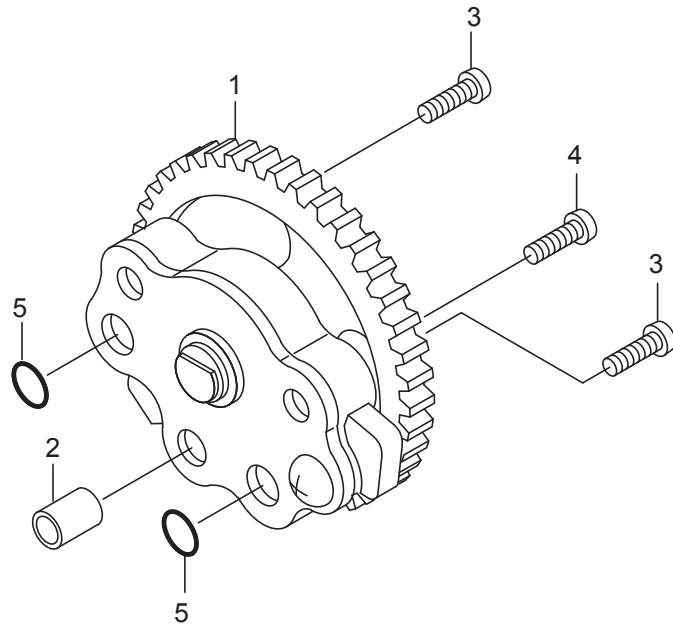
Ref. No.	Part No.	Description	Quantity		
			A2	A3	
1	14026-514-0008	COVER-CHAIN	1	1	
2	92172-0158	SCREW	2	2	
3	92172-0161	SCREW	1	1	
4	11060-1756	GASKET	1	1	
5	14031-514-0009	COVER-GENERATOR	1	1	
6	16115-1009	CAP-OIL-FITER	1	1	
7	92055-1606	RING-O	1	1	
8	11060-1755	GASKET	1	1	
9	13270-1800	PLATE	1	1	
10	14032-514-0009	COVER-CLUTCH	1	1	
11	92009-1745	SCREW	2	2	
12	92045-512-0001	BEARING-BALL	1	1	
13	92051-003	SEAL-OIL	1	1	
14	132BA0625	BOLT, FLANGED SMALL 6X25	6	6	
15	132BA0635	BOLT, FLANGED SMALL 6X35	9	9	
16	132BA0645	BOLT, FLANGED SMALL 6X45	3	3	
17	92066-1196	PLUG	1	1	
18	92066-1565	PLUG, GENERATOR-COVER-CAP	1	1	
19	670B2016	RING-O, 16mm	1	1	
20	92055-1695	RING-O	1	1	

CARBURATOR



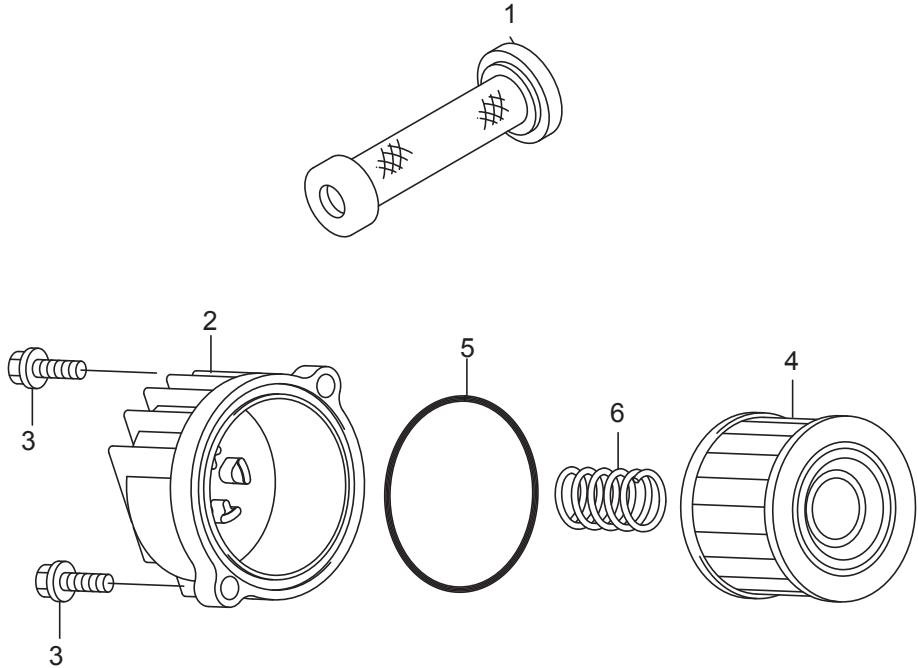
Ref. No.	Part No.	Description	Quantity		
			A2	A3	
1	11012-U119	CAP,CHOKE	1	1	
2	11060-U120	GASKET,FLOAT CHAMBER	1	1	
3	13091-510-0005	HOLDER,NEEDLE JET	1	1	
4	13270-1825	PLATE	1	1	
5	14041-U123	COVER-COMP,CARB.TOP	1	1	
6	15003-101-0002	CABURETOR-ASSY	1	1	
7	14771-U257	RETAINER	1	1	
8	16009-U125	NEEDLE-JET,P47	1	1	
9	16014-U126	SCREW-PILOT AIR	1	1	
10	16017-U127	JET-NEEDLE	1	1	
11	16124-U200	THROTTLE-ADJ	1	1	
12	16025-101-0001	THROTTLE-VALVE TYPE 30	1	1	
13	16030-U130	VALVE-FLOAT,FLOAT	1	1	
14	16031-U131	FLOAT	1	1	
15	92009-U132	SCREW,DRAIN	1	1	
16	92009-U133	SCREW	2	2	
17	92036-018	RING SNAP	1	1	
18	92037-U135	CLAMP,TUBE	2	2	
19	92037-1601	CLAMP	2	2	
20	92153-0886	BOLT-FLANGED-SAMLL	2	2	
21	92055-U136	RING-O,DRAIN SCREW	2	2	
22	92055-U137	RING-O	1	1	
23	92055-U138	RING-O	1	1	
24	92063-U139	JET-MAIN,#82	1	1	
	92063-U140	JET-MAIN,#85	1	1	
	92063-U141	JET-MAIN,#88	1	1	
	92063-U142	JET-MAIN,#78	1	1	
	92063-U143	JET-MAIN,#80	1	1	
25	92064-U263	JET-MAIN,#45	1	1	
26	92144-1875	SPRING,THROTTLE	1	1	
27	92144-1876	SPRING	1	1	
28	92145-1172	SPRING	1	1	
29	92191-U146	SPRING	1	1	
30	92191-U147	TUBE,3.5 X 6.5 X 298	1	1	
31	92191-1271	TUBE	1	1	
32	92200-U148	WASHER	1	1	

PUMP-GROUP-OIL



Ref. No.	Part No.	Description	Quantity		
			A2	A3	
1	16082-1148	PUMP-ASSY-OIL	1	1	
2	92043-1263	PIN	1	1	
3	220B0625	SCREW-PAN-CROSS,6 X 25	2	2	
4	92172-0898	SCREW-PAN-CROSS,6 X 30	1	1	
5	92055-1604	O RING,10MM	2	2	

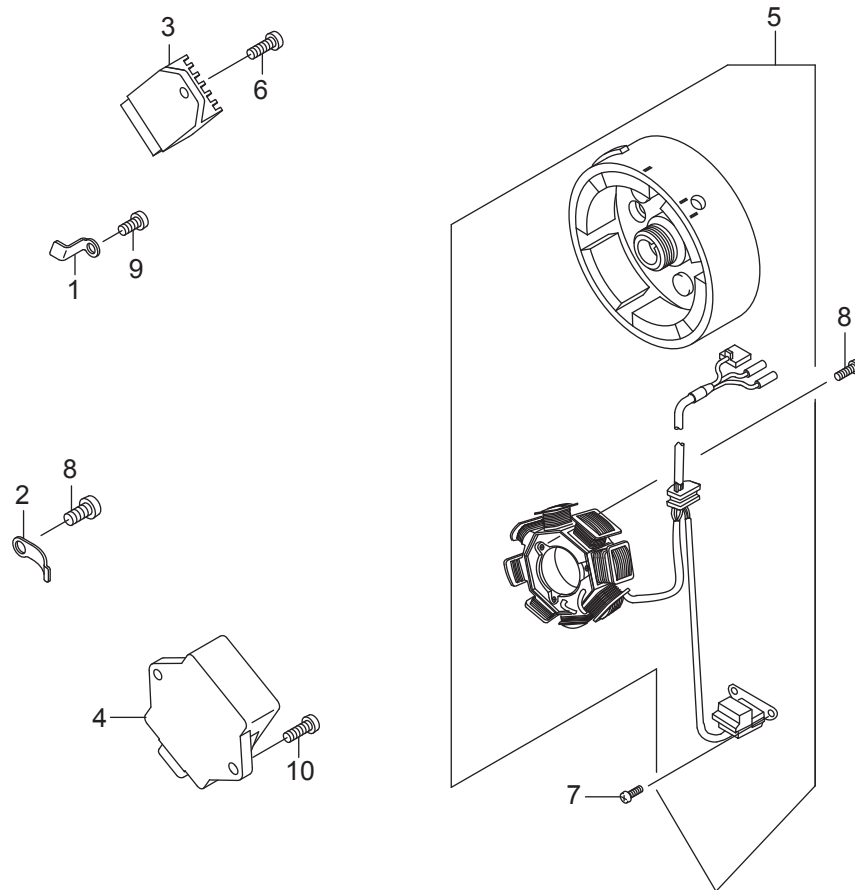
FILTER-GROUP-OIL



Ref. No.	Part No.	Description	Quantity	
			A2	A3
1	16097-1051-MDN	FILTER-ASSY-OIL	1	1
2	11012-1980	CAP	1	1
3	92153-0885	BOLT-FLANGED SMALL	2	2
4	52010-1053-E	ELEMENT-OIL FILTER	1	1
5	92055-1613	RING-O	1	1
6	92144-1892-MDN	SPRING	1	1

GENERATOR-GROUP

FRONT



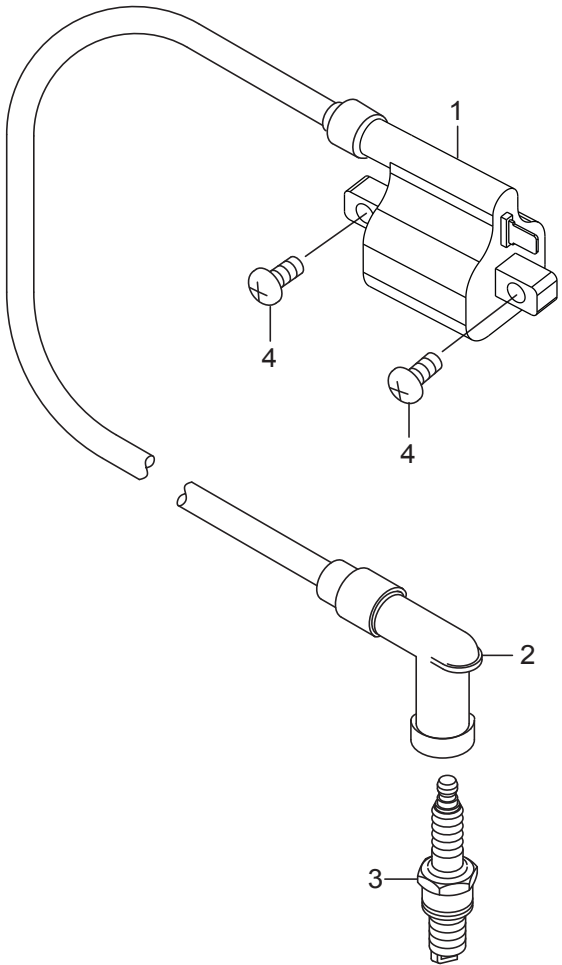
Ref. No.	Part No.	Description	Quantity	
			A2	A3
1	13270-512-0002	PLATE	1	1
2	13271-1116	PLATE	1	1
3	21066-512-0006	REGULATOR-VOLTAGE	1	1
4	21119-512-0007	IGNITER (CDI)	1	1
5	21190-512-0003	MAGNETO-ASSY	1	1
6	92172-0158	SCREW	1	1
7	220B0514	SCREW-PAN-CROS	2	2
8	132G0620	SCREW-PAN-CROS	2	2
9	92172-0191	SCREW-PAN-CROS,6*8	1	1
10	132BA0620	BOLT-FLANGED	2	2

Additional parts for Euro 2 & 3

No. 3 Regulator-Voltage

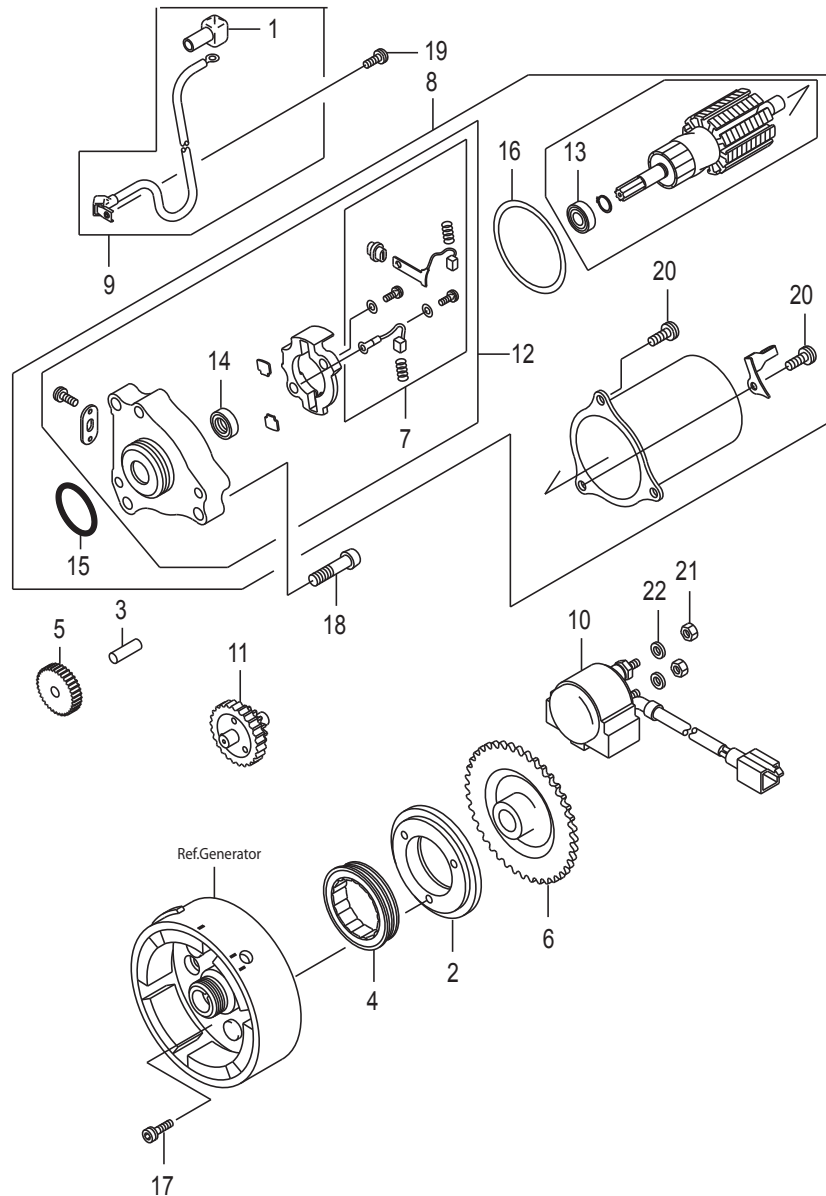
No. 10 Bolt-Flanged

IGNITION-GROUP



Ref. No.	Part No.	Description	Quantity	
			A2	A3
1	21121-514-0009	COIL-IGNITION	1	1
2	21160-514-0005	CAP-SPARK PLUG	1	1
3	92070-P735	IGNITION PLUG(C7HSA)	1	1
4	224B0520	SCREW-PAN-CROSS	2	2

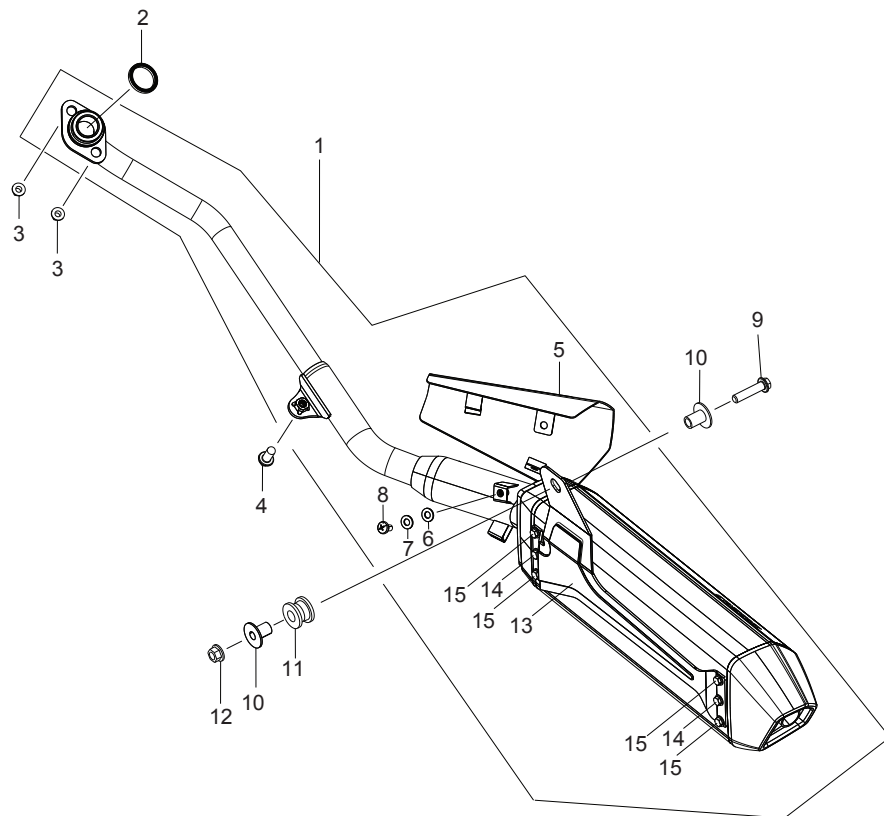
STARTER-GROUP-ELECTRIC



Ref. No.	Part No.	Description	Quantity	
			A2	A3
1	11012-1354	CAP, TERMINAL	1	1
2	13280-1108	HOLDER	1	1
3	13107-1142	SHAFT	1	1
4	13193-1065	CLUTCH-ONE WAY	1	1
5	16085-0015	GEAR IDLE 45T	1	1
6	16085-502-0001	GEAR 62T	1	1
7	21039-1067	BRUSH, STARTER MOTOR (SET)	1	1
8	21163-1251	STARTER-MOTOR	1	1
9	26011-512-0007	WIRE-LEAD, STARTER MOTOR	1	1
10	27045-510-0009	STARTER-RELAY-ASSY	1	1
11	39076-0002	LIMITER	1	1
12	39184-1011	BRACKET-ASSY, STARTER MOTOR	1	1
13	92045-1349	BEARING BALL, STARTER MOTOR	1	1
14	92049-1465	SEAL-OIL, STARTER MOTOR	1	1
15	92055-1276	RING-O	1	1
16	92093-1079	SEAL, STARTER MOTOR	1	1
17	92151-1166	BOLT	3	3
18	92172-0160	SCREW-PAN-CROSS	3	3
19	223D0406	SCREW-PAN-WS-CROSS	1	1
20	223D0516	SCREW-PAN-WS-CROSS	3	3
21	92210-0202	NUT	2	2
22	461DA0600	WASHER-SPRING	2	2

MUFFLER EURO 3

FRONT

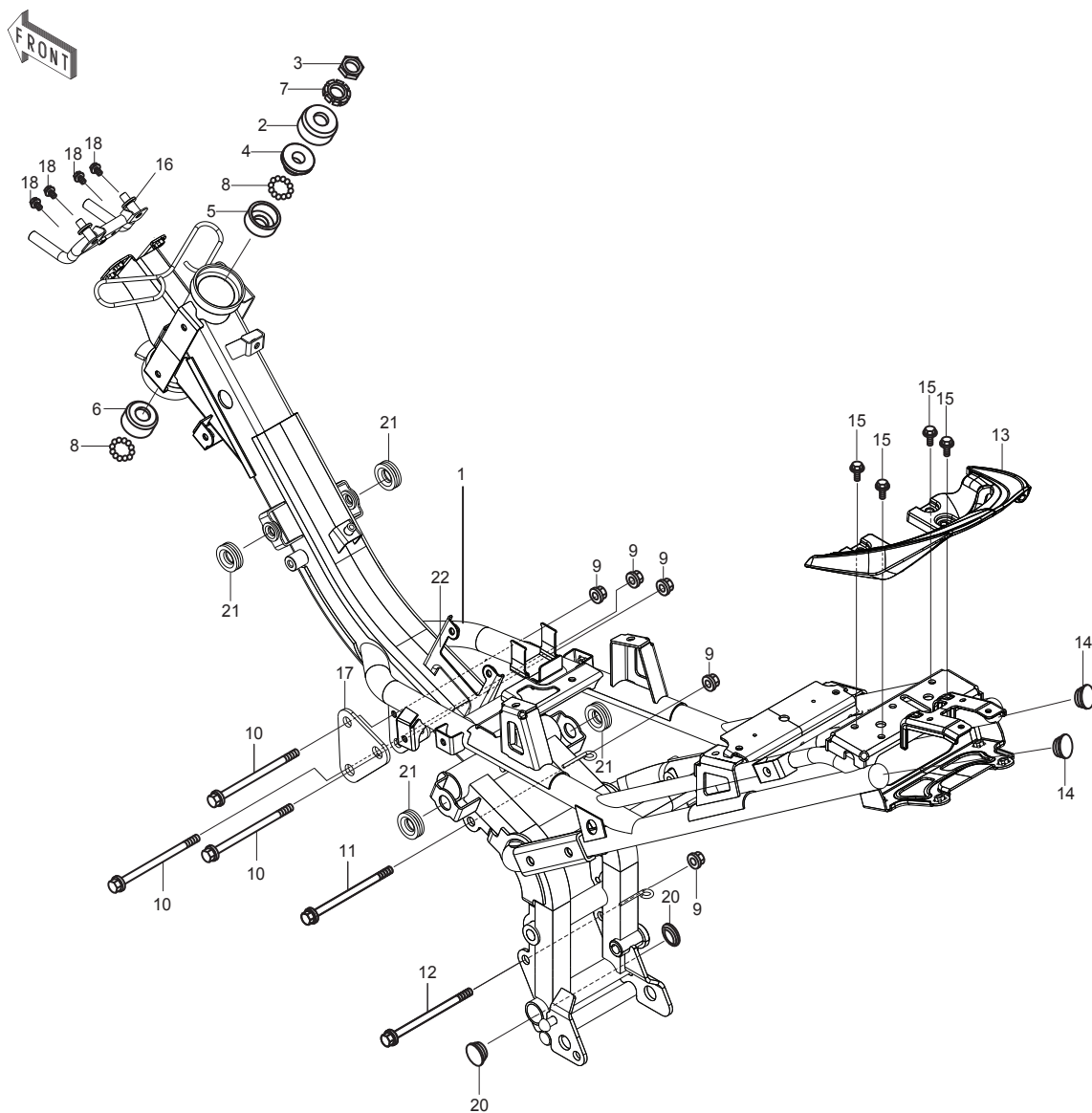


Ref. No.	Part No.	Description	Quantity		
			A2		
1	18087-514-0031	MUFFLER-COMP (CATALYST)	1		
2	11060-1757	GASKET, EXHAUST	1		
3	92015-1331	NUT, EXHAUST	2		
4	183H0816	BOLT-UPSET-WS-SMALL	1		
5	19106-514-0031	COVER-FRONT	1		
6	411B0600	WASHER-PLAIN-SMALL	2		
7	462F0600	WASHER-SPRING	2		
8	92009-514-0060	SCREW M6	2		
9	130Y0835	BOLT 8 X 35	1		
10	92027-1653	COLLAR	2		
11	92160-1116	DAMPER	1		
12	92210-0201	NUT	1		
13	11036-514-0507	BRACKET-REAR	1		
14	92151-514-0037	BOLT-FLANGE M6 X 16	2		
15	92151-514-0038	BOLT-FLANGE M6 X 20	4		



FRAME GROUP 4

FITTING-GROUP-FRAME

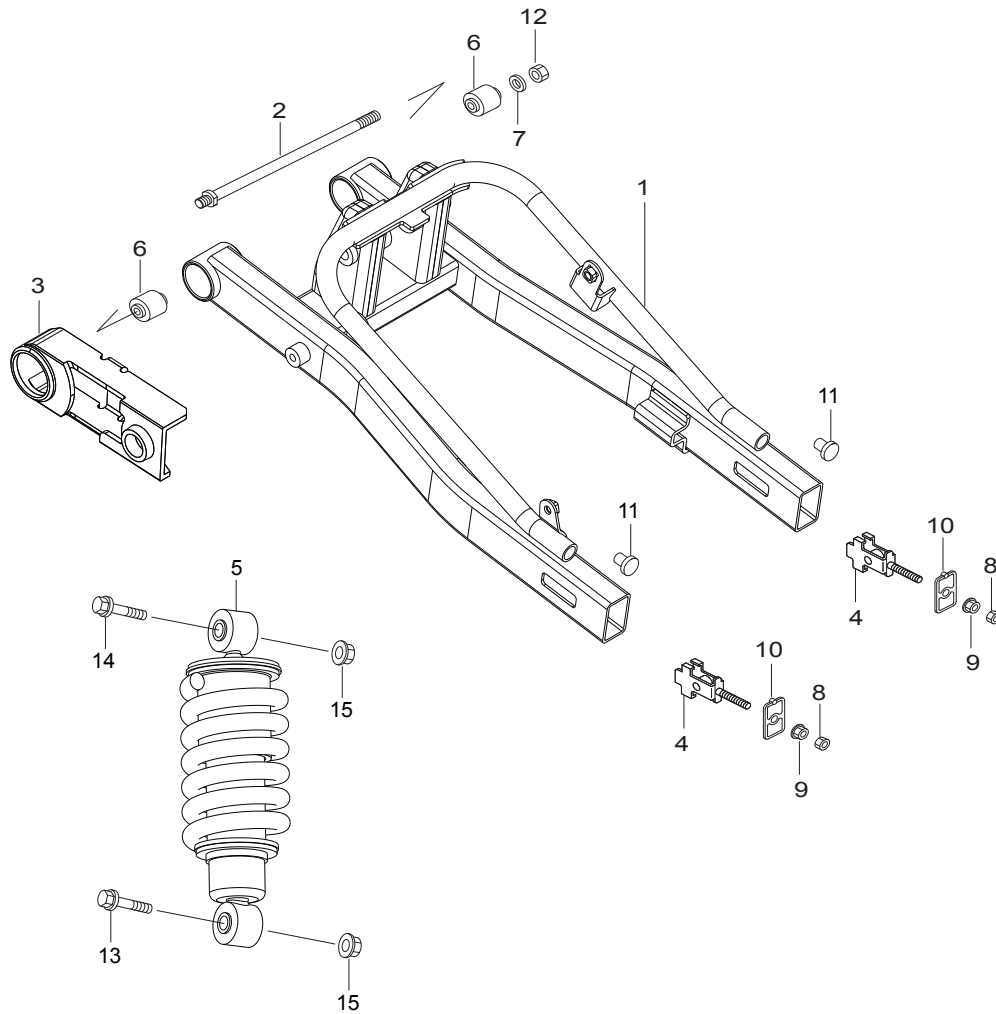


Ref. No.	Part No.	Description	Quantity		
			A2	A3	
1	32160-514-0043	FRAME COMP			1
	32160-514-0028	FRAME COMP			1
2	46098-016	CAP, STEERING STEM			1 1
3	92015-1901	NUT, 30MM			1 1
4	92097-M861	RACE, STEERING STEM BEARING			1 1
5	92098-M862	RACE, STEERING STEM BEARING			1 1
6	92098-M863	RACE, STEERING STEM BEARING			1 1
7	92210-1340	NUT, STEERING STEM, 30MM			1 1
8	600A0800	BALL-STEEL, 1/4"			39 39
9	92015-1406-MDN	NUT M8			5 5
10	92151-1112	BOLT 8X100			3 3
11	92151-1319	BOLT 8X130			1 1
12	92151-1124	BOLT 8X120			1 1
13	32109-514-0021	GRIP-FRAME			1 1
14	92066-1364	PLUG-FRAME			2 2
15	92151-510-0006	BOLT-FLANGE M6X22			4 4
16	11036-514-0585	BRACKET-COVER-FRONT-ASSY			1 1
17	32190-514-0040	BRACKET-ENGINE-FRONT			2 2
18	130J0612-MDN	BOLT			4 4
19	92190-507-0006	TUBE (BRACKET CLAMP CABLE)			2 2
20	92066-513-0006	PLUG-FRAME-LOWER			2 2
21	92071-056	GROMMET			4 4
22	11036-514-0434	BRACKET-ASV			1

Additional parts for Euro 3

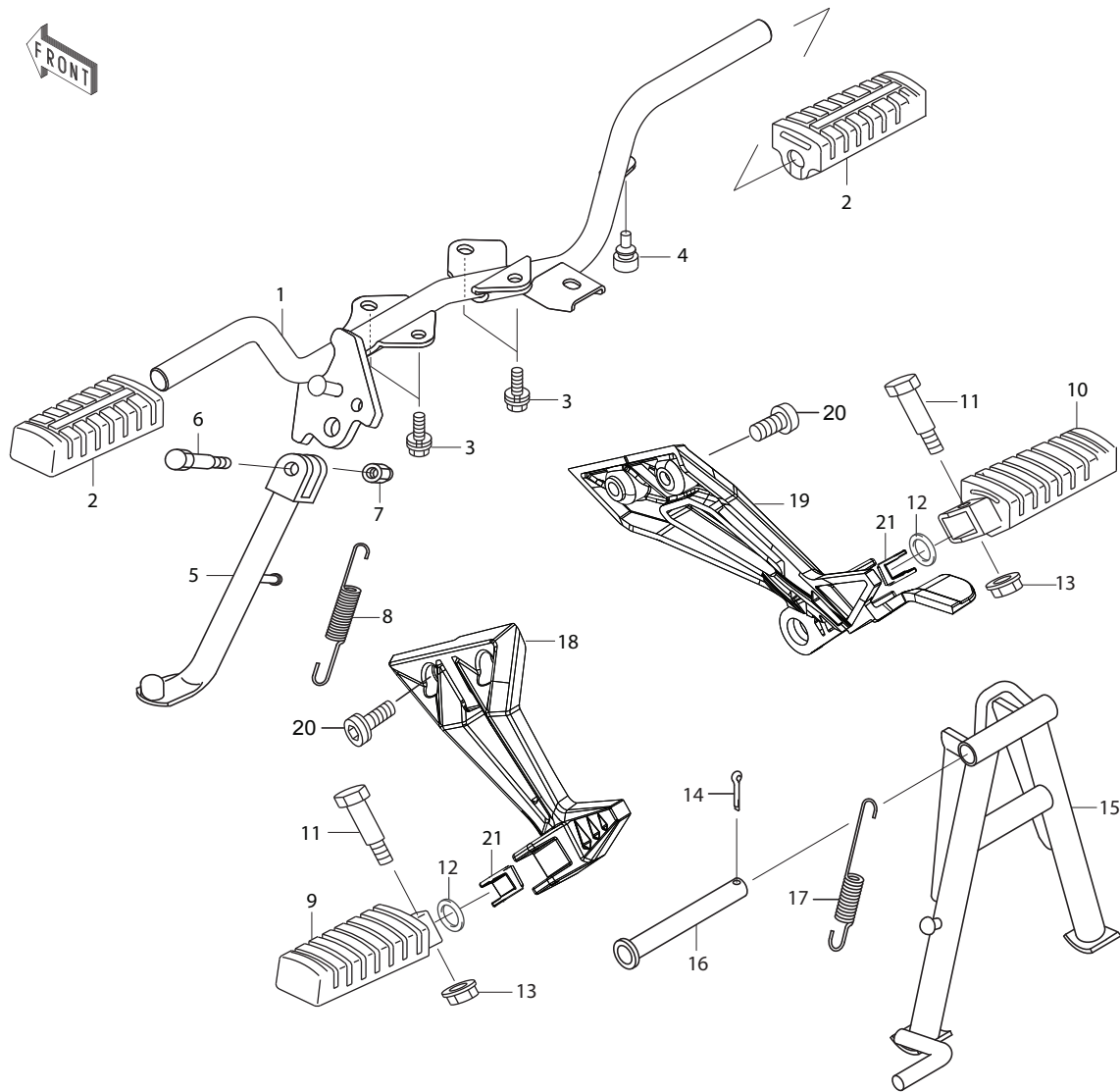
- No. 1 Frame-Comp
- No. 16 Bracket-Cover-Front-Assy
- No. 22 Bracket-ASV

SWINGARM - SHOCKABSORBER



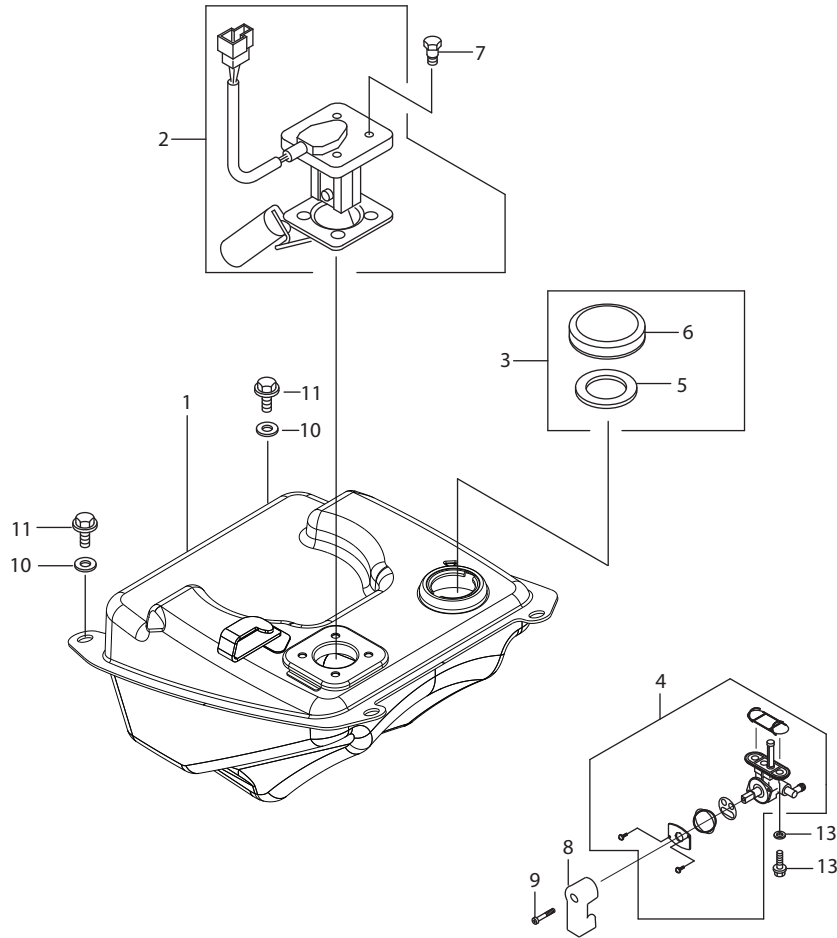
Ref. No.	Part No.	Description	Quantity	
			A2	A3
1	33001-514-0018	ARM-COMP-SWING	1	1
2	33032-514-0003	SHAFT-SWING ARM	1	1
3	55020-513-0001	GUARD	1	1
4	33040-513-0003	ADJUSTER-CHAIN, INNER	2	2
5	45014-513-0017	SHOCKABSORBER	1	1
6	92092-0008	BUSHING-RUBBER	2	2
7	410F1200	WASHER-PLAIN-SML, 12MM, BLACK	2	2
8	92210-0017	NUT, 8MM	2	2
9	92015-1406	NUT-FLANGED M8X1.25	2	2
10	11012-1874	CAP, CHAIN ADJUSTER	2	2
11	92066-514-0012	PLUG	2	2
12	92015-509-0001	NUT, SWING ARM SHAFT, M12 P1.25	1	1
13	92150-1831	BOLT M10 X 120	1	1
14	92151-1413	BOLT M10 X 45	2	2
15	92210-1080	NUT-LOCK M10	2	2

STEP & STAND-GROUP



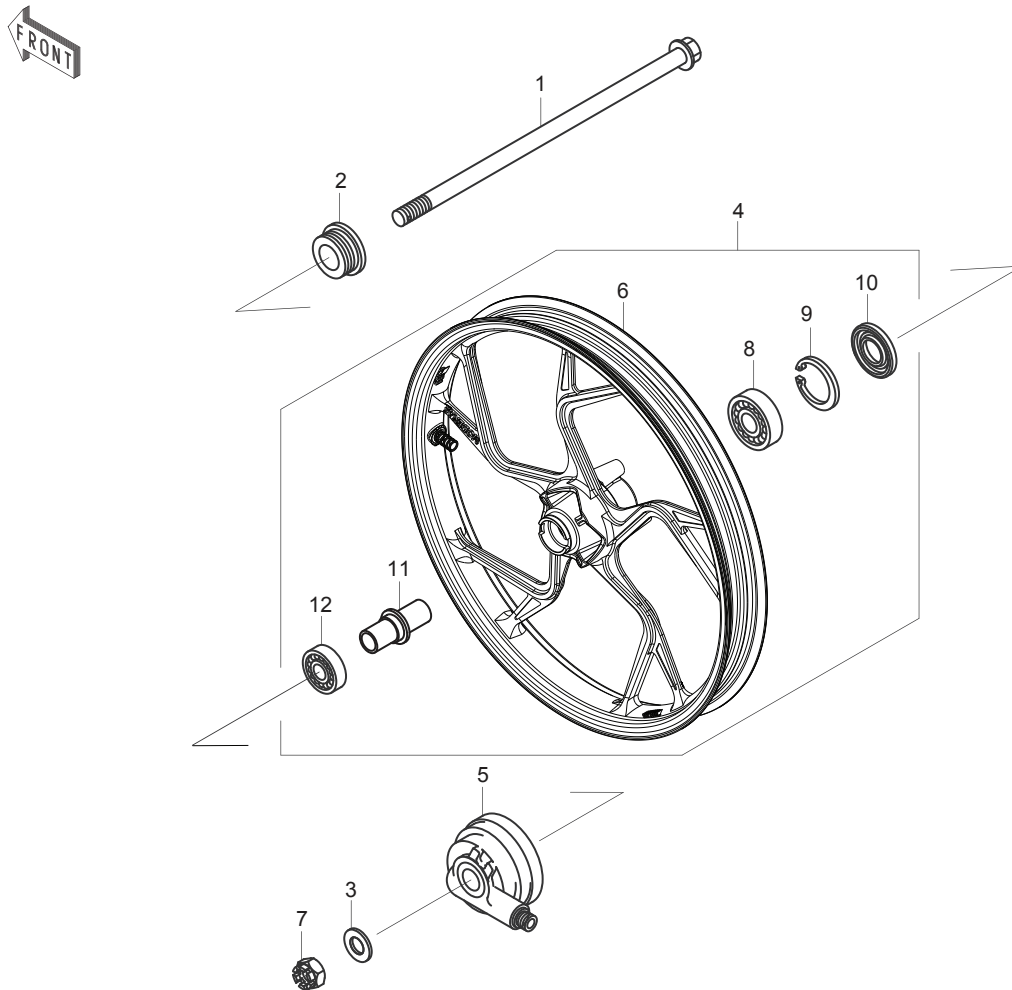
Ref. No.	Part No.	Description	Quantity	
			A2	A3
1	34003-1470	HOLDER-STEP	1	1
2	92075-1675	DAMPER, STEP	2	2
3	183H0816	BOLT-UPSET	4	4
4	92160-1821	DAMPER, BRAKE-STOPPER	1	1
5	34024-502-0002	STAND-SIDE	1	1
6	92150-1545	BOLT	1	1
7	92210-0194	NUT-LOCK	1	1
8	34025-005	SPRING-C	1	1
9	34028-1349	STEP,RR,LH	1	1
10	34028-1350	STEP,RR,RH	1	1
11	130H0645-MDN	BOLT	2	2
12	92200-1120	WASHER	2	2
13	92210-0191	NUT	2	2
14	92041-0006	PIN-COTTER	1	1
15	34011-514-0006	STAND-CENTER	1	1
16	34019-513-0223	SHAFT-STAND	1	1
17	92144-1724	SPRING	1	1
18	35011-514-0027	STAY-REAR-LH	1	1
19	35011-514-0028	STAY-REAR-RH	1	1
20	92150-507-0001	BOLT-SOCKET	4	4
21	34003-1496	BRACKET-STEP (SUPPORT STEP RR)	2	2

FUEL TANK



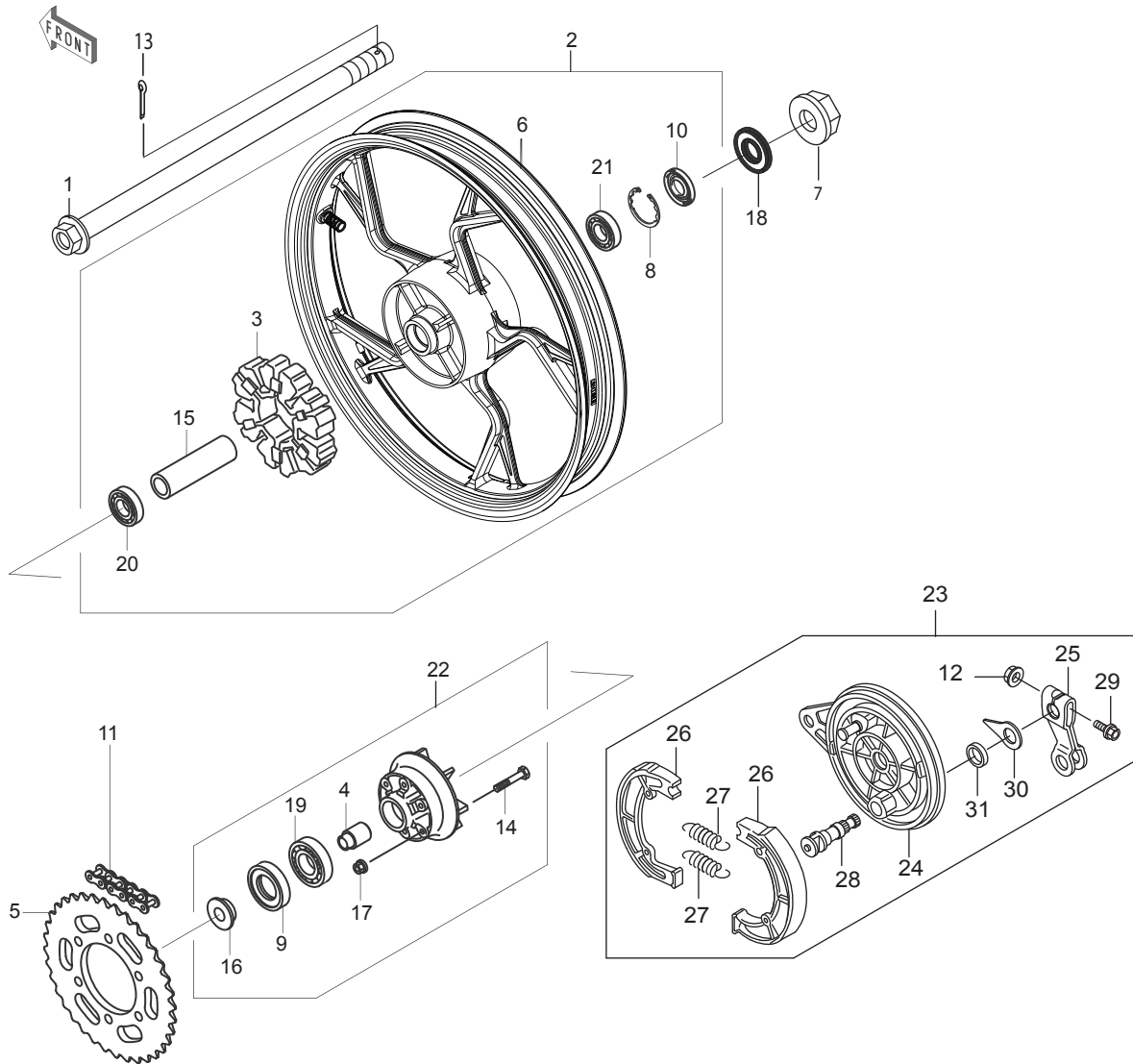
Ref. No.	Part No.	Description	Quantity	
			A2	A3
1	51001-514-0012	FUEL TANK COMP.	1	1
2	52005-514-0011	FUEL GAUGE ASSY	1	1
3	51048-1136	TANK CAP ASSY	1	1
4	51023-1333	TAP ASSY	1	1
5	11009-1326	GASKET, TANK CAP	1	1
6	51049-1109	TANK CAP	1	1
7	92001-U227	BOLT	4	4
8	92077-N435	KNOB, FUEL TAP	1	1
9	220B0412	SCREW PAN CROS	1	1
10	92200-1087	WASHER	4	4
11	130J0616	BOLT	4	4
12	92153-0884	BOLT-TAP	2	2
13	92022-183	WASHER	2	2

FRONT-HUB & WHEEL-GROUP-FRONT



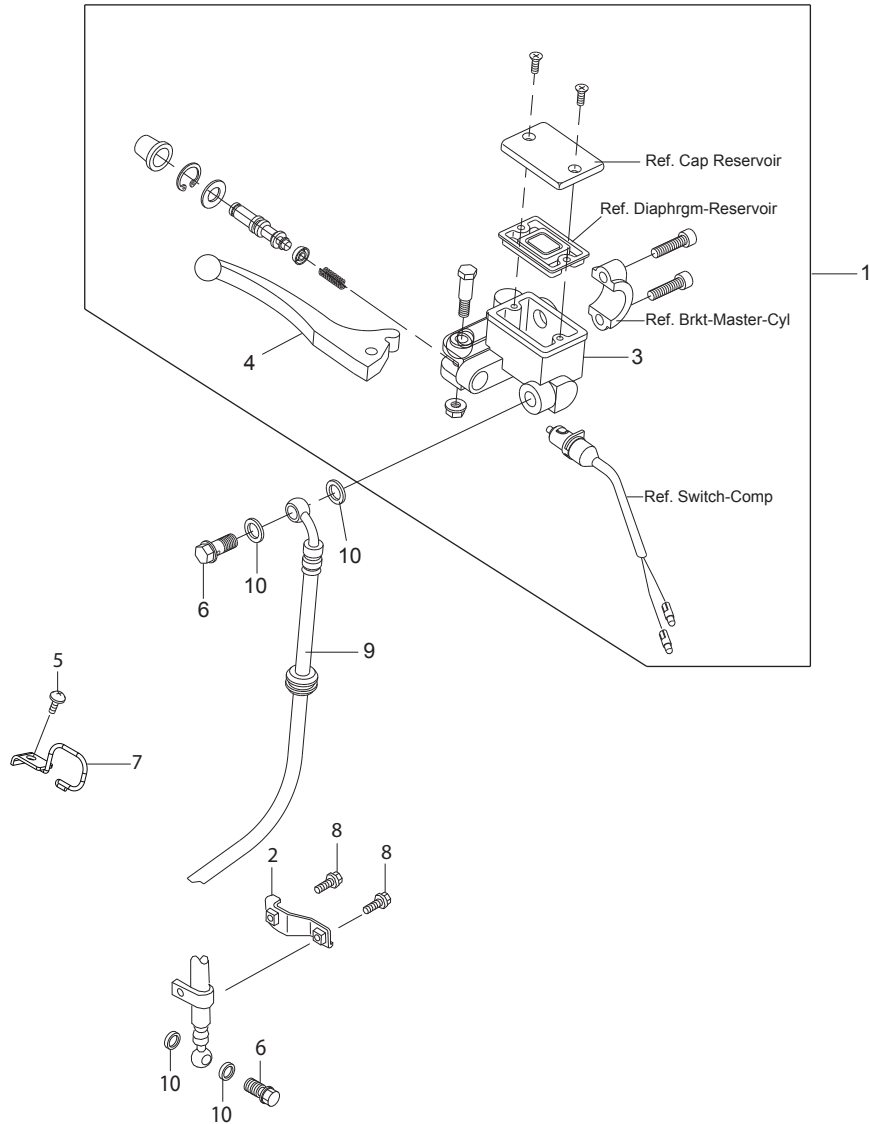
Ref. No.	Part No.	Description	Quantity	
			A2	A3
1	41068-N423	AXLE	1	1
2	92143-1847	COLLAR	1	1
3	411B1000	WASHER-PLAIN, 12MM	1	1
4	41073-514-0026	WHEEL-ASSY,FR	1	1
5	41078-513-0002	CASE-ASSY-METER GEAR	1	1
6	41025-514-0037	RIM-FRONT 17X1.4	1	1
7	92210-N431	NUT-LOCK	1	1
8	92045-1310	BEARING-BALL	1	1
9	481J3500	CIRCLIP-TYPE-C,37MM	1	1
10	92049-1618	SEAL-OIL,KCY19X37X7	1	1
11	92152-1396	COLLAR,FR HUB,L=48	1	1
12	92045-1309	BEARING-BALL	1	1

REAR HUB & WHEEL-GROUP-REAR



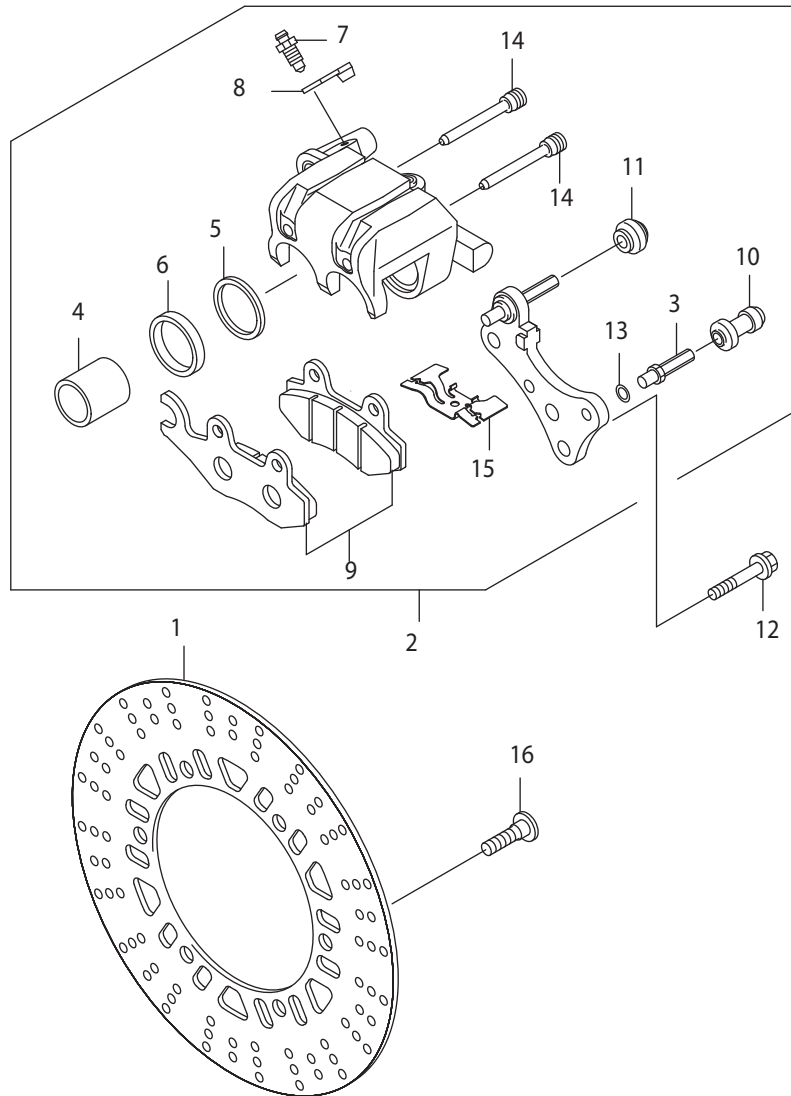
Ref. No.	Part No.	Description	Quantity		
			A2	A3	
1	41068-513-0004	AXLE,RR	1	1	
2	41073-514-0025	WHEEL-ASSY, RR	1	1	
3	92160-1627	DAMPER,RR WHEEL	4	4	
4	42036-513-0003	SLEEVE,RR HUB COUPLING	1	1	
5	42041-513-0007	SPROCKET-FINAL-DRIVEN 39T	1	1	
6	41025-514-0036	RIM-REAR 17X1.85	1	1	
7	92015-1870	NUT	1	1	
	92015-509-0001	NUT-LOCK (OPTION)	1	1	
8	92033-1041	RING-SNAP,42MM	1	1	
9	92049-513-0003	DUST-SEAL	1	1	
10	92049-1488	SEAL-OIL,KCY25X42X5	1	1	
11	92057-514-0013	CHAIN	1	1	
12	23023-513-0009	NUT	1	1	
13	92041-0006	PIN-COTTER	1	1	
14	92153-513-0008	BOLT-STUD M8	4	4	
15	92152-513-0001	COLLAR,RR HUB	1	1	
16	92143-514-0038	COLLAR,RR AXLE	1	1	
17	92015-513-0002	NUT-HEX M8	4	4	
18	92026-N621	SPACER	1	1	
19	92045-513-0002	BEARING-BALL RADIAL 6208	1	1	
20	601B6201-UG	BEARING-BALL	1	1	
21	601B6301-UG	BEARING-BALL	1	1	
22	42033-514-0013	COUPLING-ASSY,RR HUB	1	1	
23	41035-513-0002	PANEL-ASSY-BRAKE	1	1	
24	42016-513-0002	PANEL-REAR	1	1	
25	41053-513-0001	LEVER-BRAKE-CAM	1	1	
26	41048-513-0001	SHOE-BRAKE	2	2	
27	92145-513-0016	SPRING	2	2	
28	41050-513-0001	CAM-BRAKE	1	1	
29	92153-V185	BOLT	1	1	
30	41085-513-0001	INDICATOR	1	1	
31	92049-513-0002	SEAL	1	1	

FRONT MASTER CYLINDER



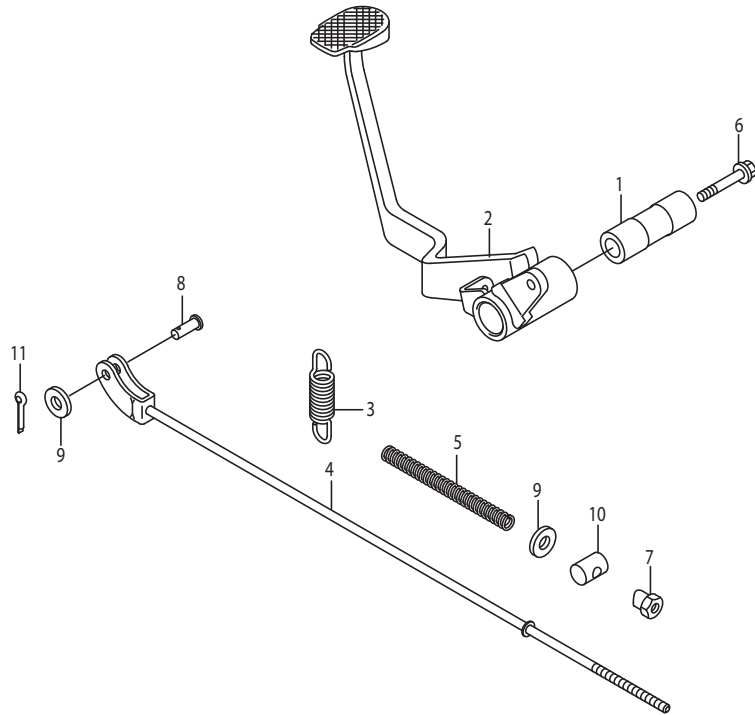
Ref. No.	Part No.	Description	Quantity	
			A2	A3
1	43016-513-0002	MASTER-CYLINDER-FRONT-ASSY	1	1
2	11050-1977	BRACKET, CALIPER-FRONT	1	1
3	42016-P955	MASTER-CYLINDER	1	1
4	46092-513-0005	LEVER-BRAKE	1	1
5	92153-0852	BOLT M6 X 10	1	1
6	92153-0627	BOLT-JOINT, BRAKE-HOSE	2	2
7	11036-502-0079	BRACKET-HOSE (UPPER BRAKE)	1	1
8	130J0616	BOLT-FLANGE	2	2
9	43095-0084	HOSE-BRAKE	1	1
10	49091-0001	WASHER-PLAIN	4	4

FRONT BRAKE (Disc brake)



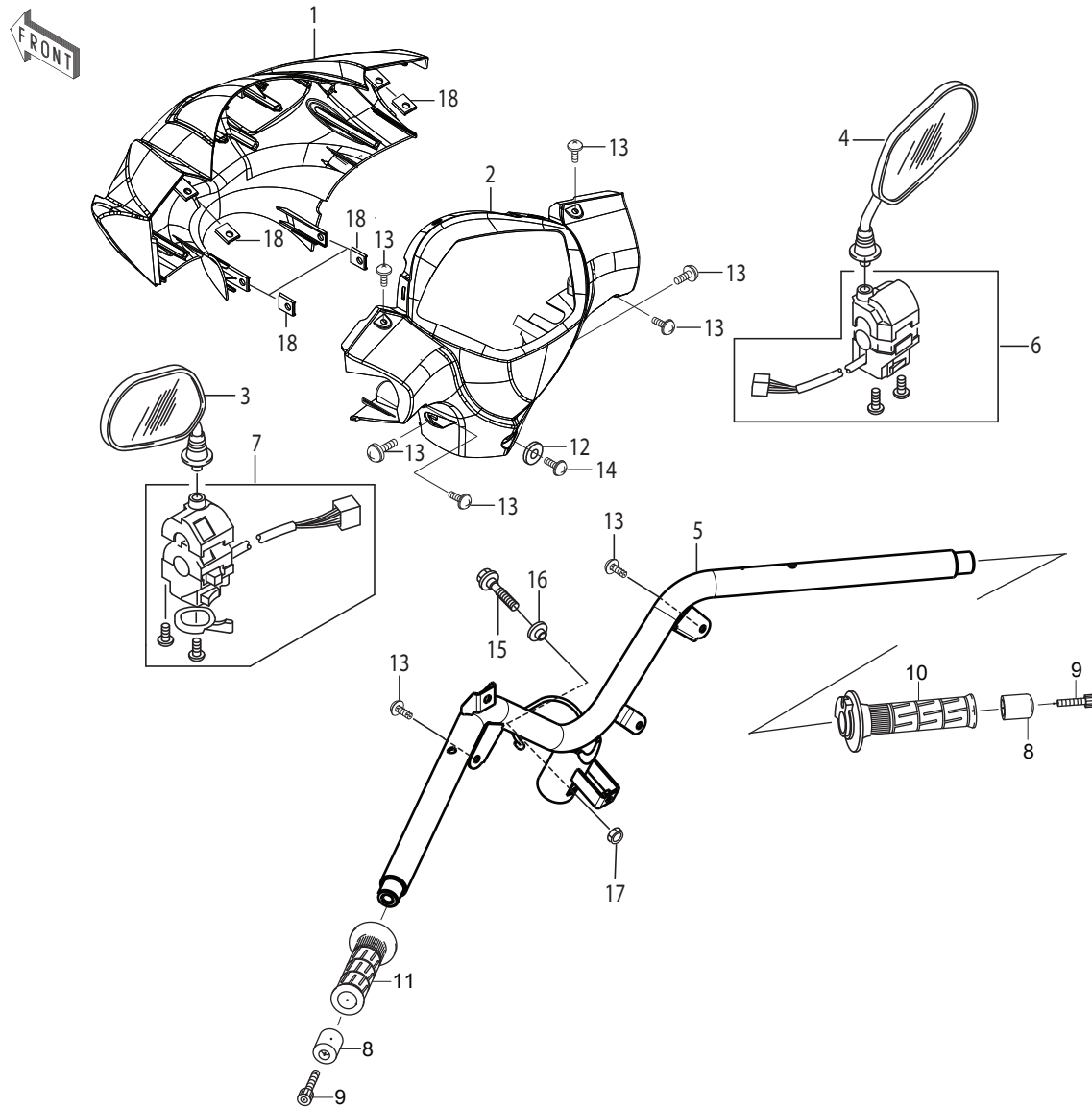
Ref. No.	Part No.	Description	Quantity	
			A2	A3
1	41080-513-0003	DISC	1	1
2	43041-513-0001	CALIPER-ASSY	1	1
3	43045-1010	PIN-BOLT	1	1
4	43048-1066	PISTON-CALIPER	2	2
5	43049-1063	PACKING	2	2
6	43049-1064	PACKING	2	2
7	43056-1056	BLEEDER	1	1
8	43057-1001	CAP-BREATHER	1	1
9	43082-M258-E	PAD-ASSY-BRAKE	1	1
10	49006-1088	BOOT	1	1
11	49006-1242	BOOT	1	1
12	92153-0922	BOLT, CALIPER	2	2
13	92022-1373	WASHER, SPG	1	1
14	92043-1416	PIN, HANGER	2	2
15	92144-1847	SPRING	1	1
16	92150-1728	BOLT, DISC	4	4

BRAKE GROUP



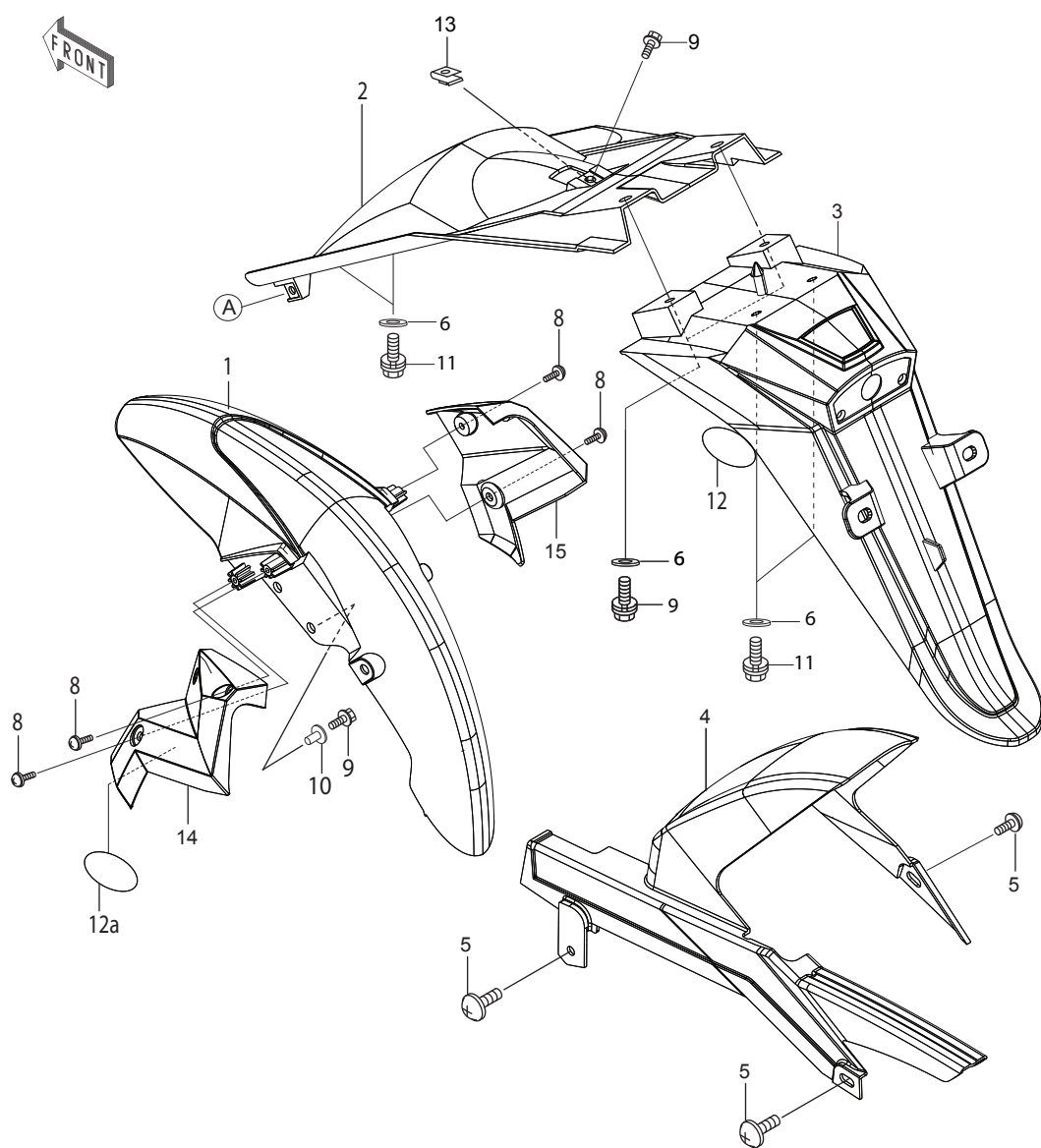
Ref. No.	Part No.	Description	Quantity	
			A2	A3
1	42036-1332	SLEEVE	1	1
2	43001-512-0007	LEVER, BRAKE-PEDAL	1	1
3	92144-1910	SPRING, BRAKE PEDAL RETURN	1	1
4	43011-514-0004	ROD-BRAKE	1	1
5	43012-001	SPRING, ROD-BRAKE	1	1
6	92001-M577	BOLT-FLANGED	1	1
7	92015-042	NUT	1	1
8	92043-1569	PIN, FRONT	1	1
9	92022-1588	WASHER	2	2
10	92043-065	PIN	1	1
11	92041-0004	PIN-COTTER	1	1

HANDLEBAR



Ref. No.	Part No.	Description	Quantity		
			A2	A3	
1	59441-514-0033	COVER-HANDLE-FR	1	1	
2	59441-514-0034	COVER-HANDLE-RR	1	1	
3	56001-514-0013	MIRROR-ASSY-LH	1	1	
4	56001-514-0014	MIRROR-ASSY-RH	1	1	
5	39058-514-0020	HANDLE-COMP	1	1	
6	46091-514-0017	HOUSING-ASSY-CONTROL-RH	1	1	
7	46091-513-0009	HOUSING-ASSY-CONTROL-LH	1	1	
8	13042-510-0002ED	WEIGHT (ED PAINT)	2	2	
9	92009-510-0008	SCREW	2	2	
10	46019-1113	GRIP-ASSY-RH	1	1	
11	46075-1156	GRIP-ASSY-LH	1	1	
12	92022-1521	WASHER	1	1	
13	92009-507-0020	SCREW M5 X 16	8	8	
14	92009-1654Z	SCREW M5X16	1	1	
15	92151-1413	BOLT	1	1	
16	92152-1106	COLLAR	1	1	
17	92015-P509	NUT LOCK HEXAGON	1	1	
18	92015-P529	NUT-CLIP-U-TYPE	4	4	

FENDERS

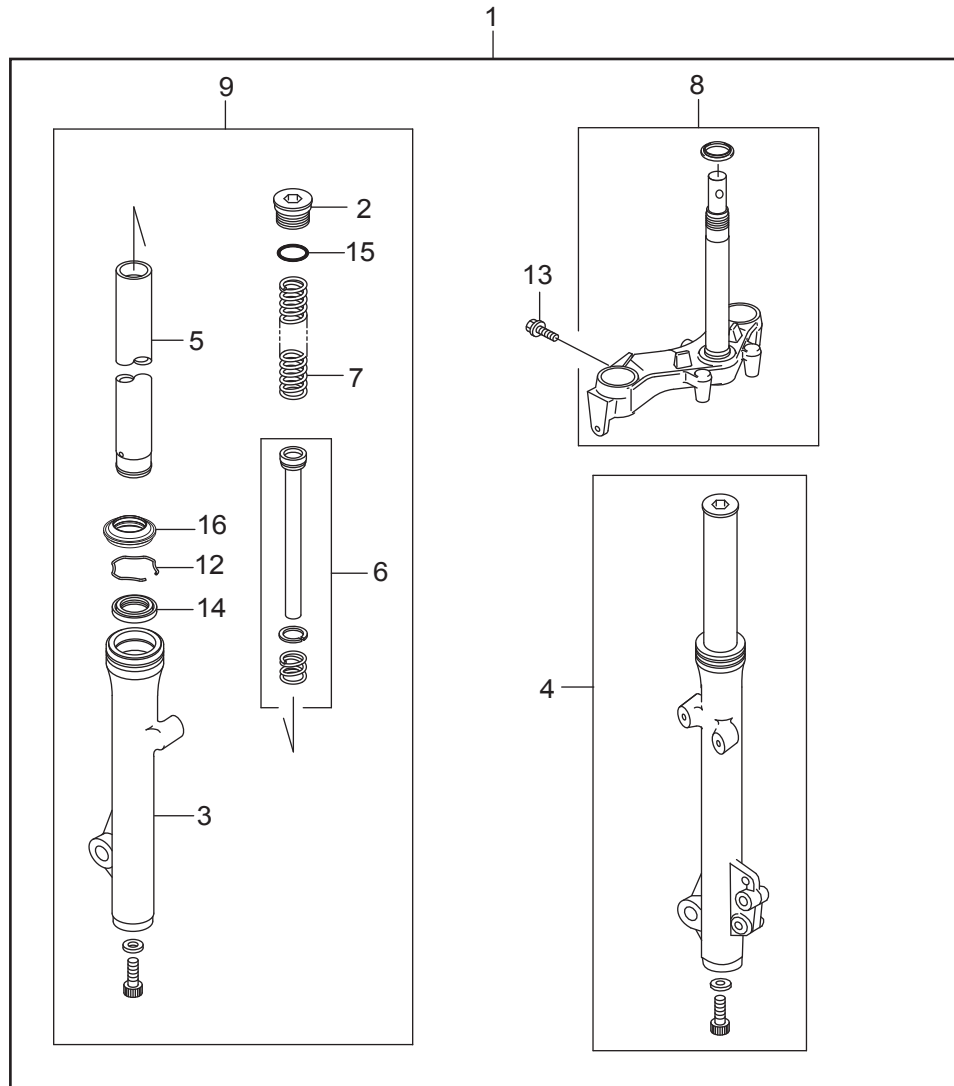


Ref. No.	Part No.	Description	Quantity	
			A2	A3
1	35004-514-0010	FENDER-FRONT	1	1
2	35023-514-0023	FENDER REAR-FR	1	1
3	35023-514-0024	FENDER REAR-RR	1	1
	35023-514-0036	FENDER REAR-RR	1	
4	35023-514-0022	FENDER-REAR-INNER	1	1
5	92009-502-0005	SCREW	3	3
6	92200-1087	WASHER	6	6
7	92015-P529	NUT-SPRING-U-TYPE	2	2
8	92009-507-0020	SCREW M5X16	4	4
9	130J0616-MDN	BOLT-FLANGE	6	6
10	92152-1684	COLLAR	4	4
11	130J0612-MDN	BOLT 503	4	4
12	28012-514-0006	REFLECTOR P514		2
12a	28012-514-0006	REFLECTOR P514-EURO 3	2	
13	92015-1671	NUT U-TYPE	1	1
14	14090-514-0101	COVER-FENDER-FR-LH		1
	14090-514-0147	COVER-FENDER-FR-LH	1	
15	14090-514-0102	COVER-FENDER-FR-RH		1
	14090-514-0146	COVER-FENDER-FR-RH	1	

Additional parts for Euro 3

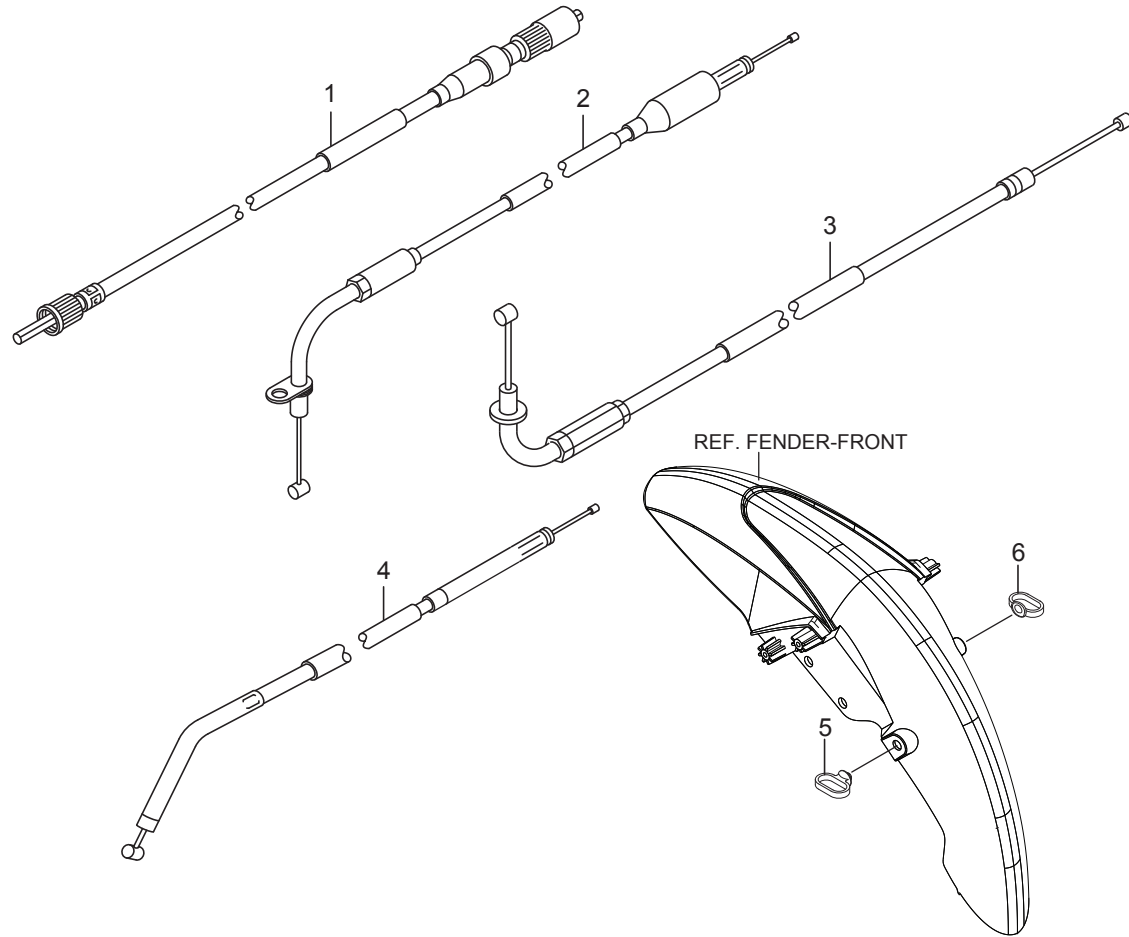
- No. 3 Fender-Rear-RR***
- No. 12a Reflector New Position***
- No. 14 Cover-Fender-Front-LH***
- No. 15 Cover-Fender-Front-RH***

FRONT-FORK-GROUP



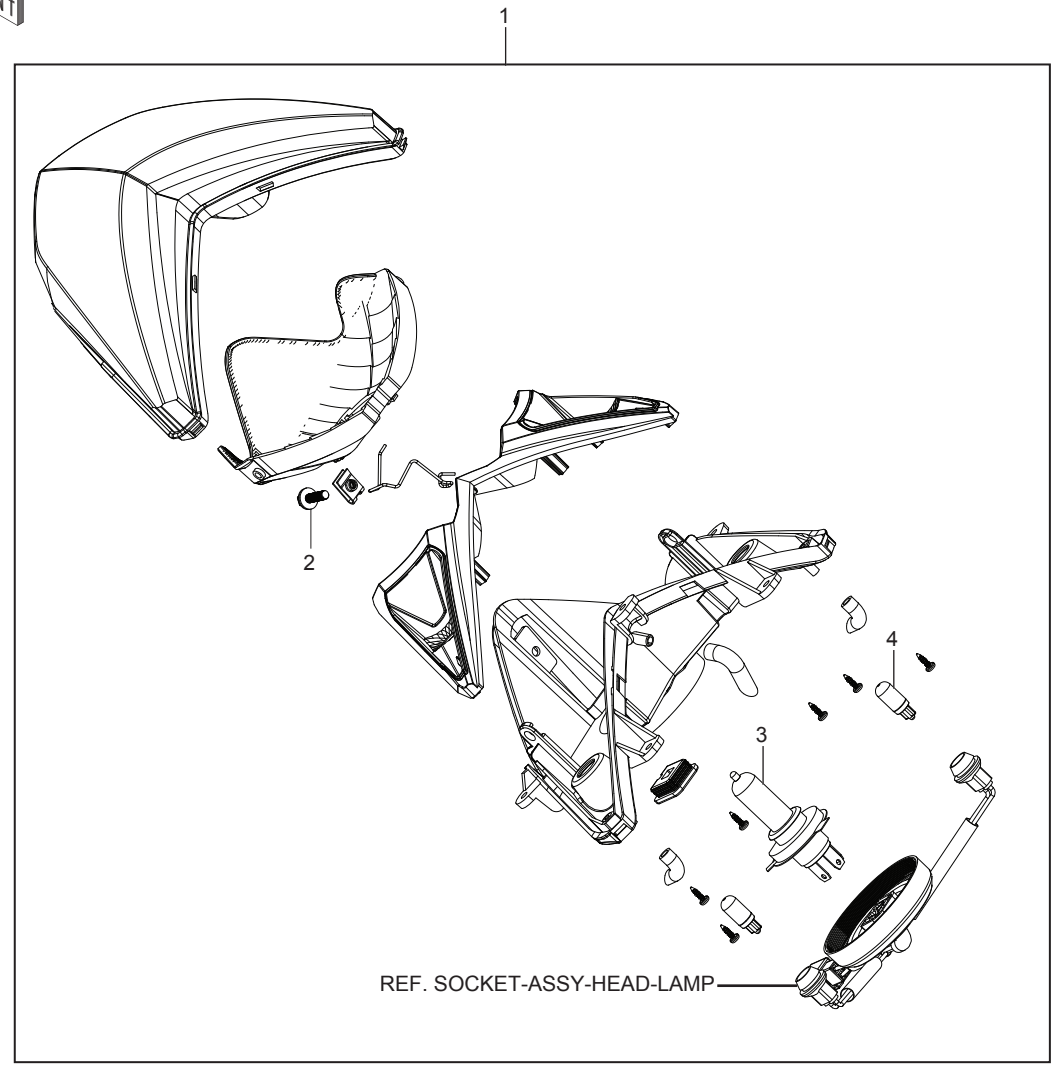
Ref. No.	Part No.	Description	Quantity	
			A2	A3
1	44011-513-0016	FORK-FRONT (COMP. SET)	1	1
2	11012-1851	CAP	2	2
3	44005-513-0010	COMP. OUTER TUBE (L)	1	1
4	44070-513-0027	DAMPER-ASSY-RH	1	1
5	92191-1389	TUBE-INNER-COMP	2	2
6	44022-1291	CYLINDER	2	2
7	44026-1542	SPRING-SUB	2	2
8	44037-V576	BRACKET-UNDER-COMP	1	1
9	44070-513-0028	DAMPER-ASSY-LH	1	1
10	92033-513-0006	RING SNAP	2	2
11	92048-1096	RACE BALL	1	1
12	92049-V533	SEAL-OIL	2	2
13	92150-1695	BOLT 8 X 30	2	2
14	92093-507-0002	SEAL	2	2
15	92150-1695	BOLT 8 X 30	4	4
16	92093-507-0002	SEAL-DUST	2	2

CABLE-GROUP



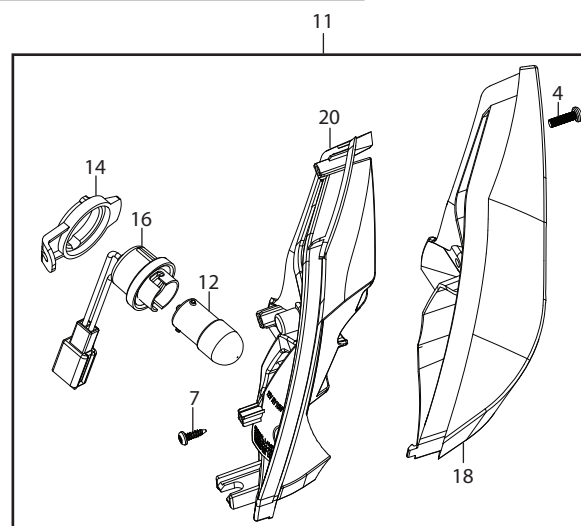
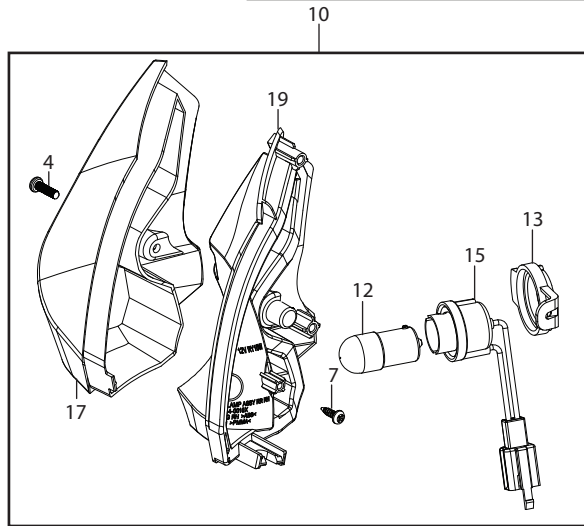
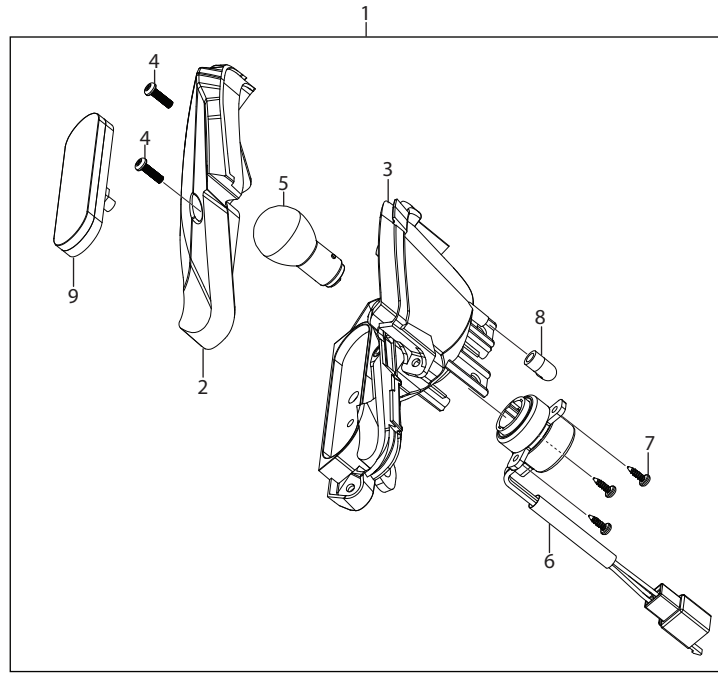
Ref. No.	Part No.	Description	Quantity	
			A2	A3
1	54001-513-0004	CABLE-SPEEDMETER	1	1
2	54012-503-0005	CABLE-THROTTLE-ASSY	1	1
3	54017-1200	CABLE-STARTER	1	1
4	54014-514-0007	CABLE-SEATLOCK	1	1
5	92170-1574	CLAMP (CABLE-METTER)	1	1
6	92170-1067	CLAMP (CABLE-BRAKE-HOSE)	1	1

LAMP-GROUP-HEAD



Ref. No.	Part No.	Description	Quantity	
			A2	A3
1	23001-514-0009	LAMP-HEAD	1	1
2	92009-514-0056	SCREW-HEAD-LAMP(adj.reflector)	1	1
3	92069-512-0015	BULB, HS1, 35W, MAIN	1	1
4	92069-507-0007	BULB 12V 5W W2.1 X 9.5D	2	2

LAMP-GROUP-TAIL & SIGNAL-REAR

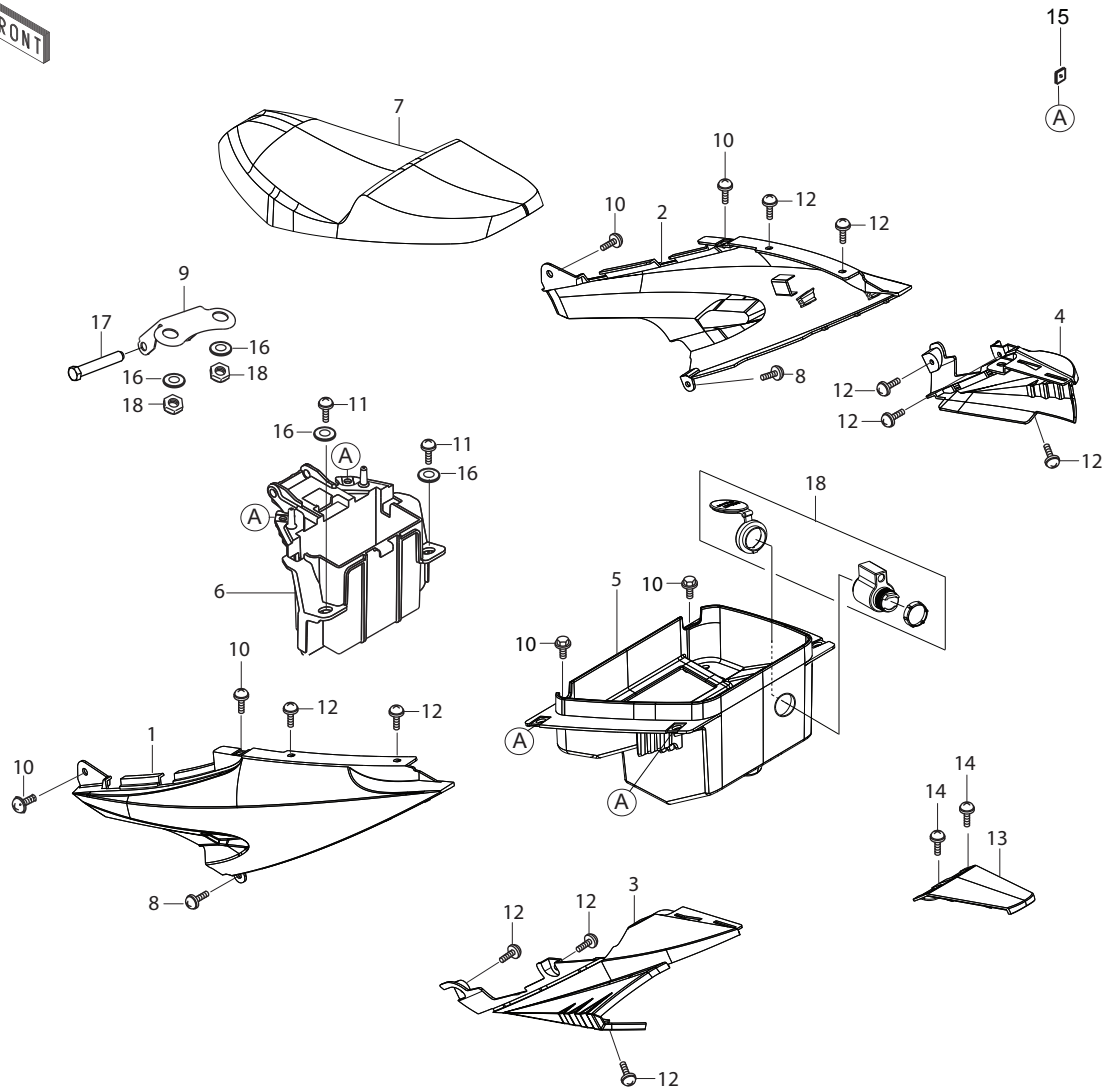


Ref. No.	Part No.	Description	Quantity	
			A2	A3
1	23025-514-0019	LAMP-TAIL-ASSY	1	1
2	23006-514-0021	LENS-TAIL-LAMP	1	1
3	22046-514-0020	HOUSING-TAIL-LAMP-ASSY	1	1
4	92009-507-0012	SCREW M4 X 0.7 X 10MM	4	4
5	92069-507-0010	BULB 12V, LAMP TAIL	1	1
6	23008-514-0023	SOCKET-ASSY, WIRE-HARNESS	1	1
7	92009-514-0053	SCREW-SELF-TAPPING 3X8	5	5
8	95001-514-0017	AIR-VENT-TUBE	1	1
9	28012-514-0007	REFLECTOR-RETRO	1	1
10	23055-514-0010	SIGNAL-LAMP-ASSY-RR-RH	1	1
	23055-514-0016	SIGNAL-LAMP-ASSY-RR-RH	1	1
11	23055-514-0009	SIGNAL-LAMP-ASSY-RR-LH	1	1
	23055-514-0015	SIGNAL-LAMP-ASSY-RR-LH	1	1
12	92069-514-0023	BULB 12 R10W AMBER	2	2
13	14020-514-0004	RETAINER-RR-LAMP-SIGNAL-RH	1	1
14	14020-514-0003	RETAINER-RR-LAMP-SIGNAL-LH	1	1
15	26030-514-0042	HARNESS, RR-SIGNAL-LAMP-RH	1	1
16	26030-514-0041	HARNESS, RR-SIGNAL-LAMP-LH	1	1
17	23006-514-0023	LENS-REAR-SIGNAL-RH	1	1
	23006-514-0040	LENS-REAR-SIGNAL-RH	1	1
18	23006-514-0022	LENS-REAR-SIGNAL-LH	1	1
	23006-514-0041	LENS-REAR-SIGNAL-LH	1	1
19	22046-514-0018	HOUSING-REAR-SIGNAL-RH	1	1
20	22046-514-0017	HOUSING-REAR-SIGNAL-LH	1	1

Additional parts for Euro 3

- No. 10 Signal-Assy-RR-LH
- No. 11 Signal-Assy-RR-RH
- No. 17 Lens-Rear-Signal-RH
- No. 18 Lens-Rear-Signal-LH
- No. 19 Housing-Rear-Signal-RH
- No. 20 Housing-Rear-Signal-LH

SEAT-GROUP

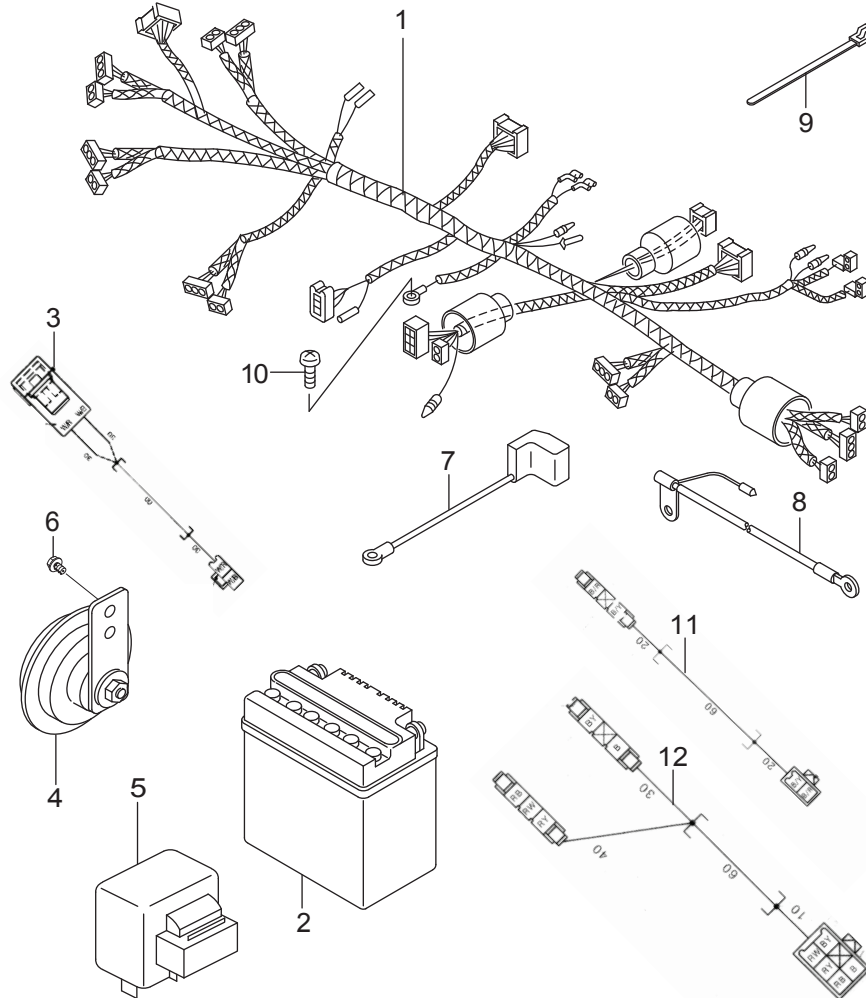


Ref. No.	Part No.	Description	Quantity	
			A2	A3
1	14090-514-0093	COVER-SEAT-FR-LH	1	1
2	14090-514-0094	COVER-SEAT-FR-RH	1	1
3	14090-514-0095	COVER-SEAT-RR-LH	1	1
4	14090-514-0096	COVER-SEAT-RR-RH	1	1
5	45662-514-0014	LUGGAGE BOX ASSY	1	1
6	32097-514-0007	CASE BATTERY	1	1
7	53001-514-0023	SEAT ASSY		1
	53001-514-0030	SEAT ASSY		1
8	92009-P527	SCREW	2	2
9	53009-512-0002	HINGE-SEAT-ASSY	1	1
10	92009-502-0005	SCREW M6X14	4	4
11	130J0616	BOLT	2	2
12	92009-507-0020	SCREW M5 X 16	8	8
13	14090-514-0100	COVER-SEAT-CENTRE	1	1
14	92009-1654	SCREW M5 X 16	16	16
15	92015-P529	NUT-U TYPE	6	6
16	92200-1087	WASHER	2	2
17	13107-507-0005	SHAFT HINGE	1	1
18	23017-514-0003	DC-SOCKET-ASSY	1	1

Additional parts for Euro 3

No. 7 Seat-Assy

HARNESS-GROUP

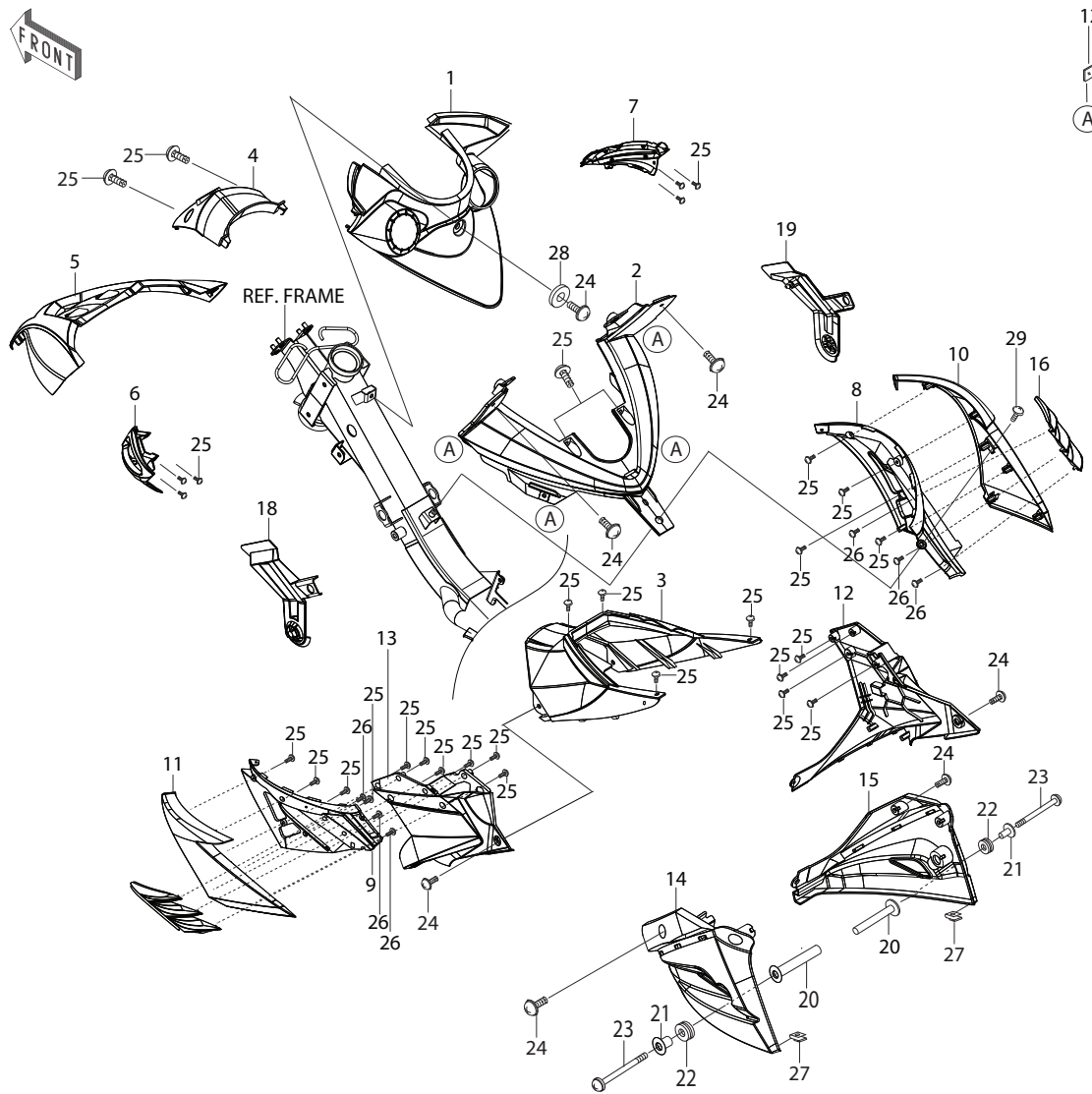


Ref. No.	Part No.	Description	Quantity	
			A2	A3
1	26030-514-0036	HARNESS	1	1
2	26012-514-0011	BATTERY	1	1
3	26004-512-0001	FUSE-ASSY	1	1
4	27003-0031	HORN	1	1
5	27002-514-0005	RELAY-ASSY	1	1
	85600-1128-C10001	RELAY-ASSY - EURO 3	1	
6	130J0612-MDN	BOLT	1	1
7	26011-512-0007	WIRE-LEAD(+VE)	1	1
8	26011-503-0004	WIRE-LEAD(-VE)	1	1
9	92072-0005	BAND(CABLE TIE)	7	7
10	92153-0852	BOLT	1	1
11	26031-514-0015	ADAPTER-HARNESS-LH	1	
12	26031-514-0014	ADAPTER-HARNESS-RH	1	

Additional parts for Euro 3

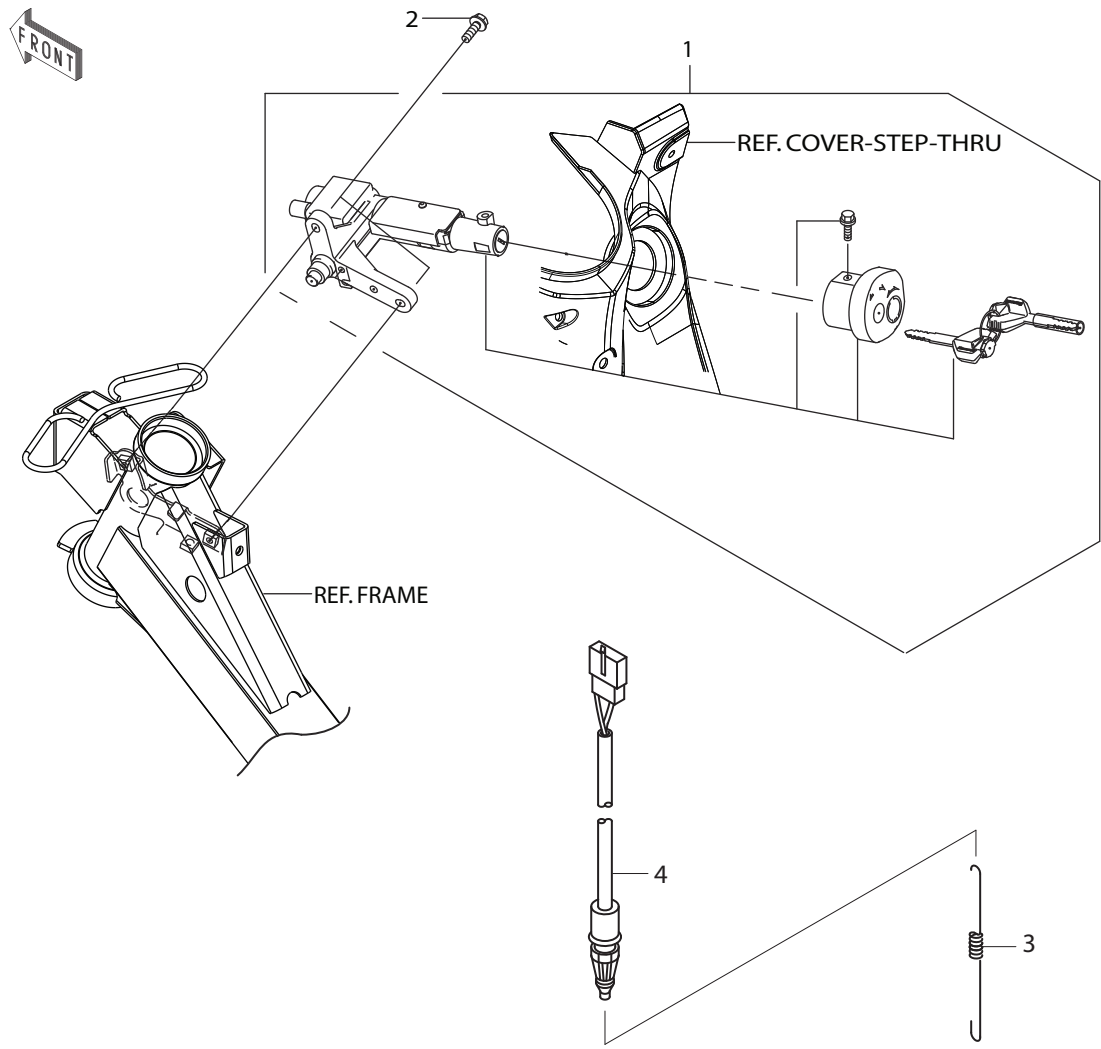
- No. 11 Adapter Harness-LH
- No. 12 Adapter Harness-RH
- No. 5 Relay-Assy

SHIELD GROUP LEG



Ref. No.	Part No.	Description	Quantity	
			A2	A3
1	14090-514-0092	COVER-STEP-THRU-UPPER	1	1
2	14090-514-0091	COVER-STEP-THRU-LOWER	1	1
3	14090-514-0099	COVER-STEP-THRU-MIDDLE	1	1
4	14090-514-0089	COVER-FRONT-UPPER	1	1
5	14090-514-0090	COVER-FRONT-LOWER	1	1
6	14090-514-0105	COVER SIGNAL-LH	1	1
7	14090-514-0106	COVER SIGNAL-RH	1	1
8	55028-514-0032	COWLING-UPPER-RH	1	1
9	55028-514-0031	COWLING-UPPER-LH	1	1
10	55028-514-0036	COWLING-OUTER-RH	1	1
11	55028-514-0035	COWLING-OUTER-LH	1	1
12	55028-514-0034	COWLING-RH	1	1
13	55028-514-0033	COWLING-LH	1	1
14	55028-514-0040	COWLING-LOWER-RH	1	1
15	55028-514-0039	COWLING-LOWER-LH	1	1
16	49125-514-0007	SHROUD-LH	1	1
17	49125-514-0008	SHROUD-RH	1	1
18	14090-514-0097	COVER-SIDE-LH	1	1
19	14090-514-0098	COVER-SIDE-RH	1	1
20	92143-U598	COLLAR	2	2
21	92143-1683	COLLAR M6X11	2	2
22	92160-1167	DAMPER	2	2
23	92009-T660	SCREW	2	2
24	92005-502-0005	SCREW M6X14	7	7
25	92009-507-0020	SCREW M6X16	28	28
26	92009-P555	SCREW CR PAN HD TAPPING	6	6
27	92015-1671	NUT U TYPE	2	2
28	92022-1143	WASHER	1	1
29	92009-1654	SCREW M5X16	1	1

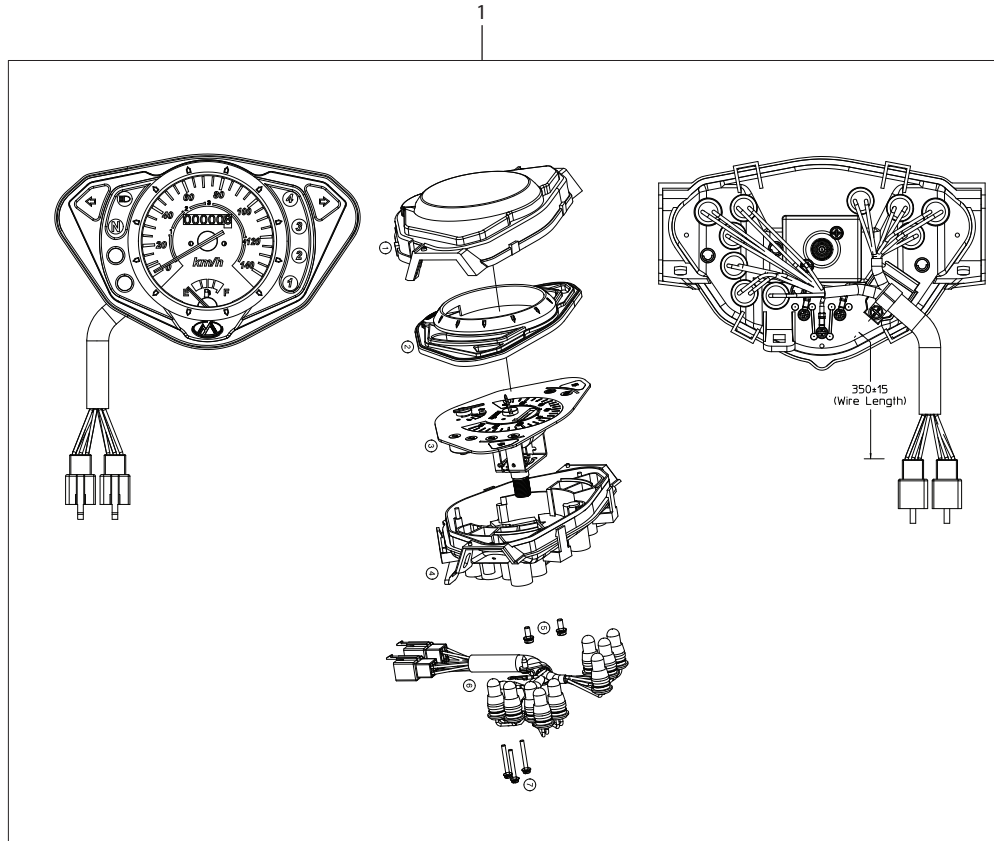
SWITCH-GROUP



Ref. No.	Part No.	Description	Quantity	
			A2	A3

1	27045-513-0008	SWITCH-ASSY	1	1
2	92172-0157	SCREW	2	2
3	92144-1991	SPRING	1	1
4	27010-1361	SWITCH, BRAKE	1	1

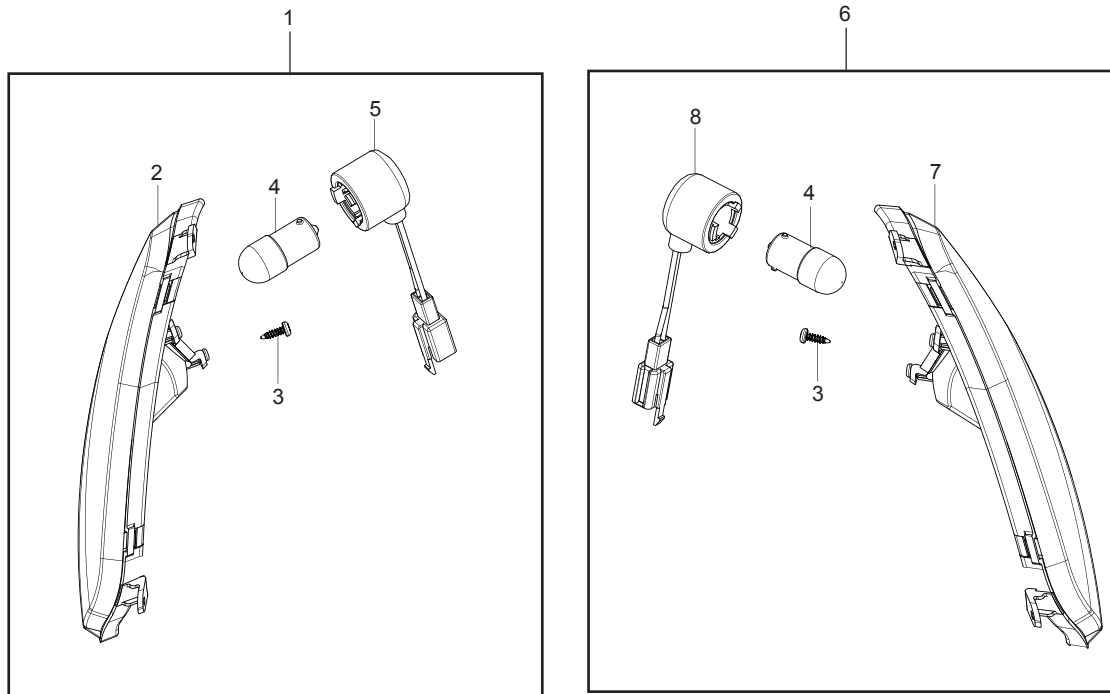
METER-GROUP



Ref. No.	Part No.	Description	Quantity	
			A2	A3

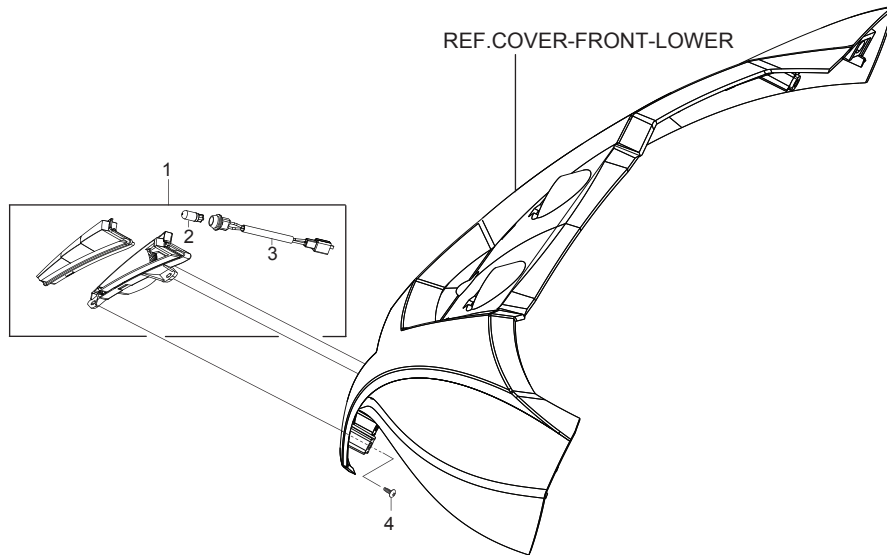
1	25031-514-0027	SPEEDOMETER-ASSY	1	1
---	----------------	------------------	---	---

SIGNAL FRONT



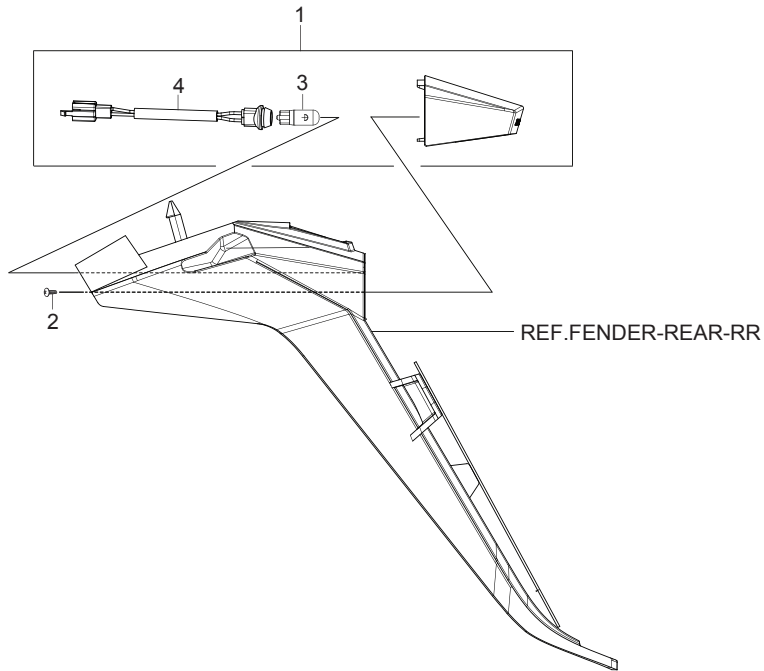
Ref. No.	Part No.	Description	Quantity	
			A2	A3
1	23040-514-0017	LAMP-SIGNAL,FR,LH	1	1
2	23005-514-0001	HOUSING-ASSY	1	1
3	92009-514-0053	SCREW SELF TAPPING	6	6
4	92069-514-0023	BULB RY10W	2	2
5	26030-514-0037	WIRE-HARNESS	1	1
6	23040-514-0018	LAMP-SIGNAL,FR,RH	1	1
7	23005-514-0002	HOUSING-ASSY	1	1
8	26030-514-0038	WIRE-HARNESS	1	1

DECO LAMP



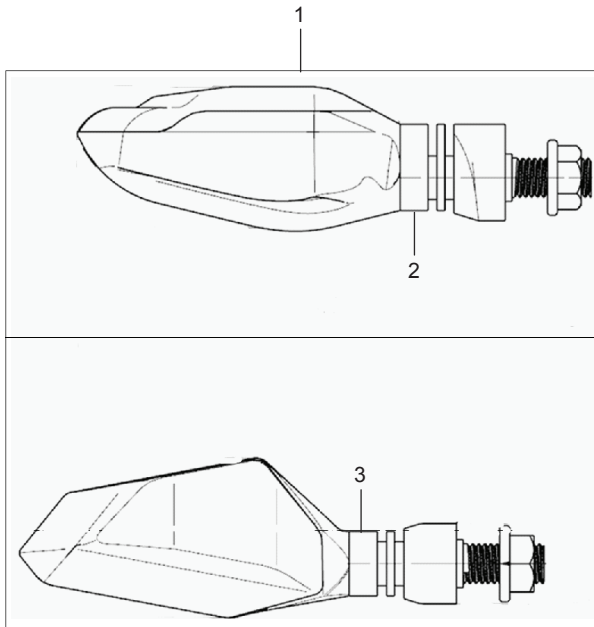
Ref. No.	Part No.	Description	Quantity	
			A2	A3
1	23002-514-0001	DECO-LAMP-ASSY	1	1
2	92069-507-0007	BULB W5W	1	1
3	23008-514-0022	SOCKET-ASSY-DECO	1	1
4	92009-514-0053	SCREW-TAPPING	3	3

REGISTRATION LAMP



Ref. No.	Part No.	Description	Quantity	
			A2	A3
1	23024-514-0003	LAMP-LICENSE-PLATE-ASSY	1	1
2	92009-514-0053	SCREW-TAPPING	2	2
3	92069-507-0007	BULB W5W	1	1
4	23008-514-0024	WIRE-HARNESS	1	1

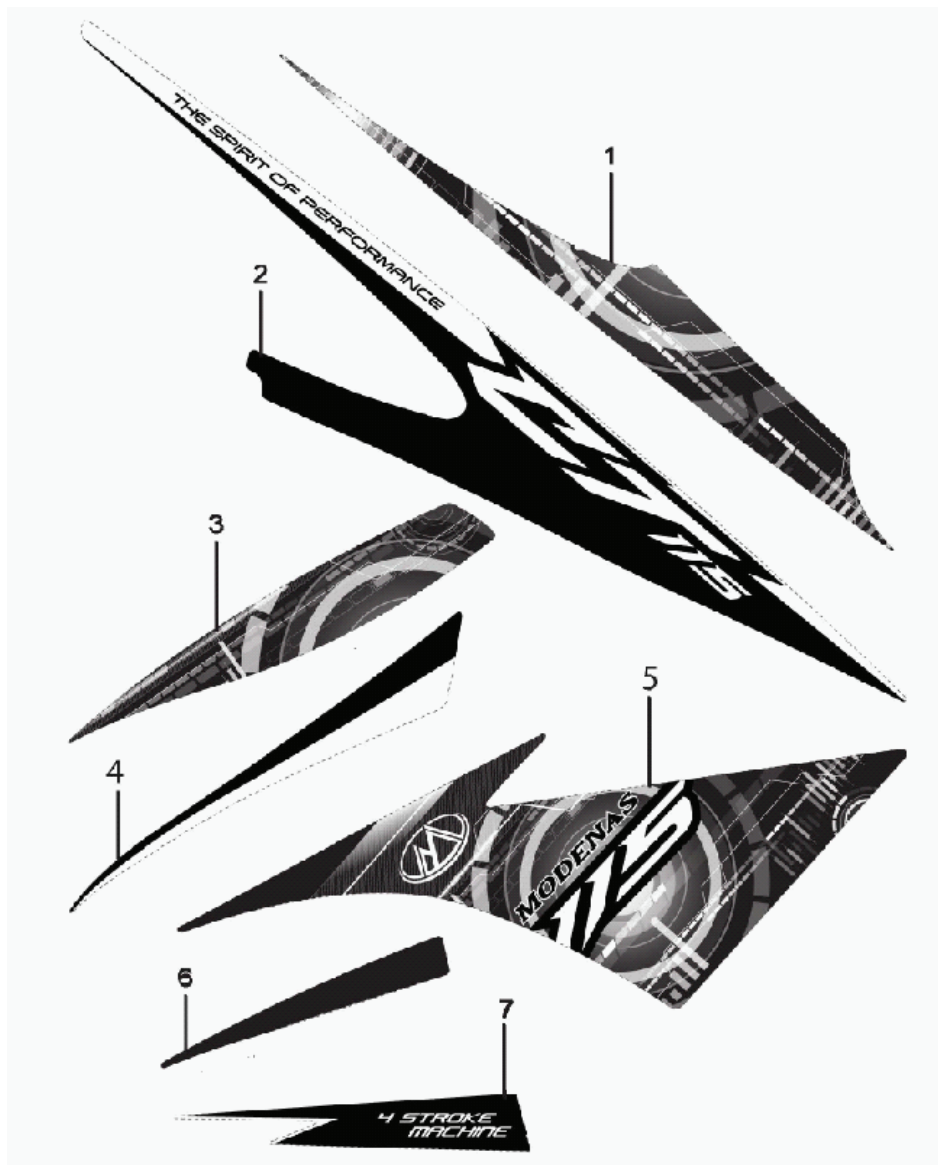
SIGNAL-REAR



Ref. No.	Part No.	Description	Quantity	
			A2	A3
1	50200-514-0047	SIGNAL-REAR-SET	1	
2	86500-H0E5-010001	SIGNAL-LAMP-ASSY-RR-LH	1	
3	86600-H0E5-010001	SIGNAL-LAMP-ASSY-RR-RH	1	

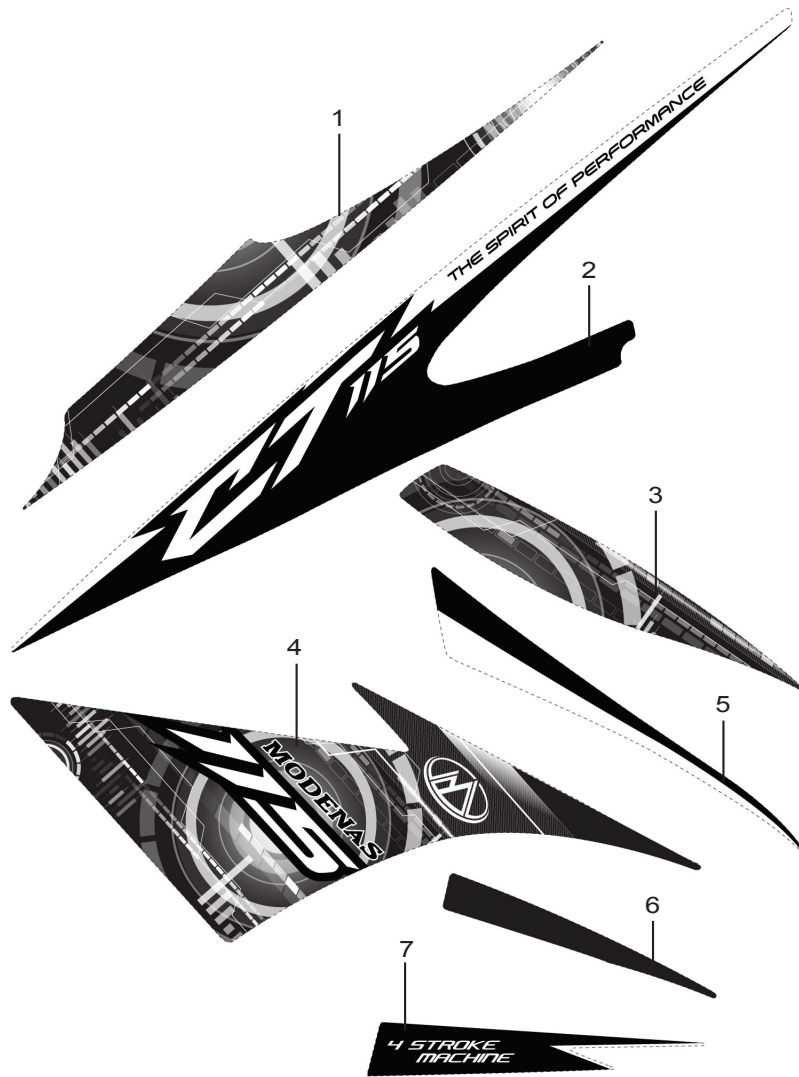
DECALS GROUP 5

DECAL



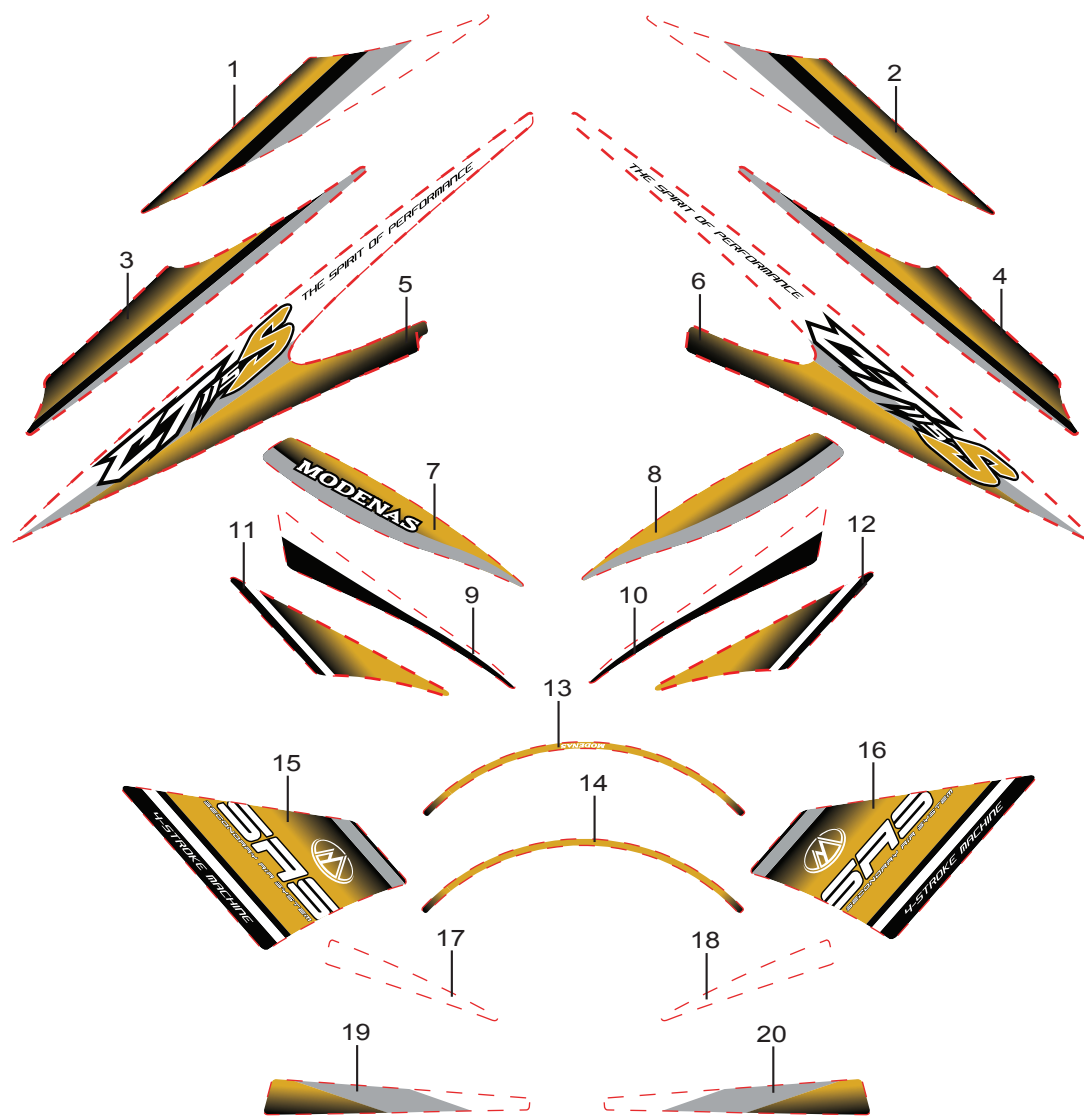
Ref. No.	Part No.	Description	Quantity	
			A2	A3
1	56062-514-0905	PATT-COVER-SEAT-FRONT-UPPER-LH	1	
2	56062-514-0907	PATT-COVER-SEAT-FRONT-LOWER-LH	1	
3	56062-514-0911	PATT-COVER-FRONT-LOWER-UPPER-LH	1	
4	56062-514-0909	PATT-COVER-FRONT-LOWER-LH	1	
5	56062-514-0913	PATT-COWLING-OUTER-LH	1	
6	56062-514-0917	PATT-COWLING-LOWER-UPPER-LH	1	
7	56062-514-0915	PATT-COWLING-LOWER-LH	1	

DECAL



Ref. No.	Part No.	Description	Quantity	
			A2	A3
1	56062-514-0906	PATT-COVER-SEAT-FRONT-UPPER-RH	1	
2	56062-514-0908	PATT-COVER-SEAT-FRONT-LOWER-RH	1	
3	56062-514-0912	PATT-COVER-FRONT-LOWER-UPPER-RH	1	
4	56062-514-0910	PATT-COVER-FRONT-LOWER-RH	1	
5	56062-514-0914	PATT-COWLING-OUTER-RH	1	
6	56062-514-0918	PATT-COWLING-LOWER-UPPER-RH	1	
7	56062-514-0916	PATT-COWLING-LOWER-RH	1	

DECAL EURO 3

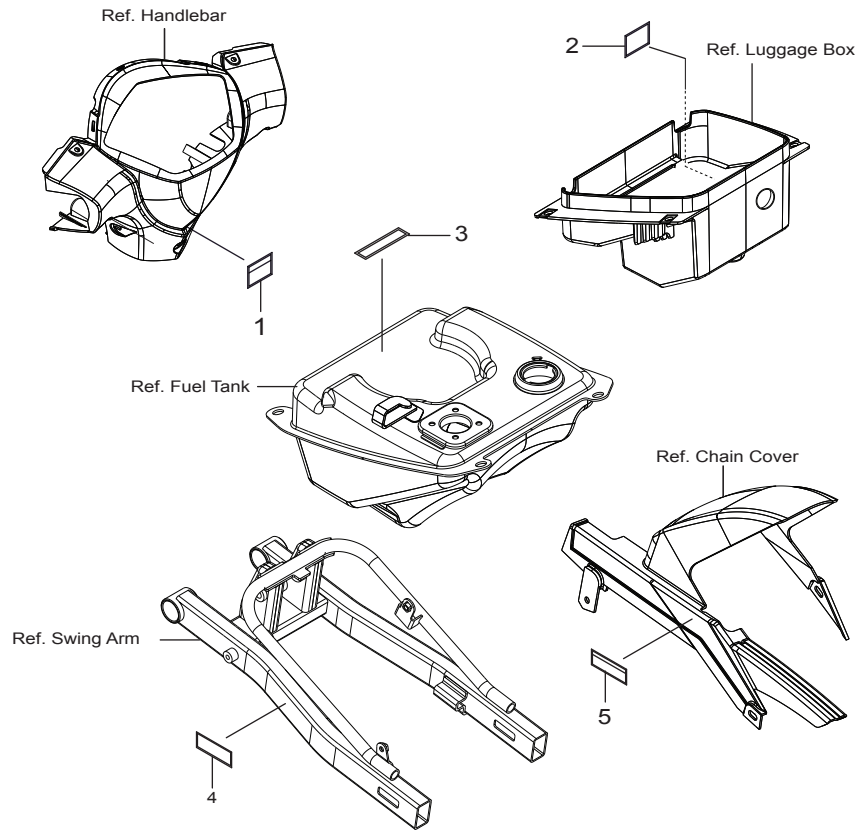


Ref. No.	Part No.	Description	Quantity		
			A2		
1	56062-514-0972	PATTERN-COWLING-RH			1
2	56062-514-0973	PATTERN-COWLING-LH			1
3	56062-514-0920	PATT-COVER-SEAT-UPPER-RH			1
4	56062-514-0919	PATT-COVER-SEAT-UPPER-LH			1
5	56062-514-0922	PATT-COVER-SEAT-FRONT-LOWER-RH			1
6	56062-514-0921	PATT-COVER-SEAT-FRONT-LOWER-LH			1
7	56062-514-0924	PATT-COVER-FRONT-LOWER-UPPER-RH			1
8	56062-514-0923	PATT-COVER-FRONT-LOWER-UPPER-LH			1
9	56062-514-0926	PATT-COVER-FRONT-LOWER-RH			1
10	56062-514-0925	PATT-COVER-FRONT-LOWER-LH			1
11	56062-514-0928	PATT-COWLING-OUTER-UPPER-RH			1
12	56062-514-0927	PATT-COWLING-OUTER-UPPER-LH			1
13	56062-514-0974	PATT-WHEEL-LINING-MODENAS			1
14	56062-514-0975	PATT-WHEEL-LINING			1
15	56062-514-0930A	PATT-COWLING-OUTER-LOWER-RH			1
16	56062-514-0929A	PATT-COWLING-OUTER-LOWER-LH			1
17	56062-514-0970	PATT-COWLING-LOWER-UPPER-RH			1
18	56062-514-0971	PATT-COWLING-LOWER-UPPER-LH			1
19	56062-514-0932	PATT-COWLING-LOWER-RH			1
20	56062-514-0931	PATT-COWLING-LOWER-LH			1

NOTE:

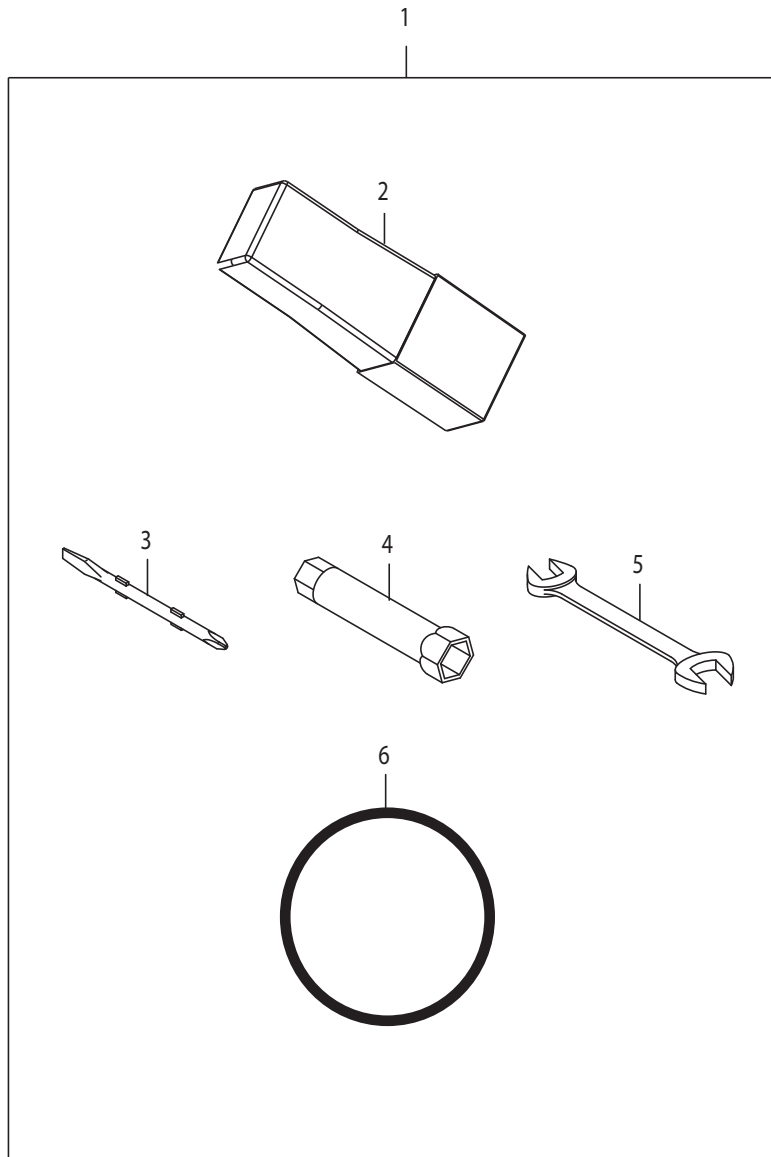
- 1) This patterns is only full set of bodycolor for Metallic Black.
- 2) For the other bodycolor of Lazuardi Blue & Cherry Red patterns set without item number 9, 10, 11 & 12.
- 3) Reference C&G P514-002C

LABELS



Ref. No.	Part No.	Description	Quantity		
			A2	A3	
1	56070-M574	LABEL-WARNING (RULE)	1	1	
2	56070-514-0008	LABEL-APPROVAL	1	1	
3	56070-1160	LABEL-WARNING (TANK)	1	1	
4	56036-510-0001	LABEL-SPECIFICATION (TYRE)	1	1	
5	56033-M316	LABEL-MANUAL (CHAIN)	1	1	

OWNER'S TOOL



Ref. No.	Part No.	Description	Quantity		
			A2	A3	
1	56007-502-0001	TOOL-KIT	1	1	
2	56009-509-0001	TOOL-BOX-ASSY	1	1	
3	92107-1051	TOOL-DRIVER, #2 PHILLIPS & SLOT	1	1	
4	92110-1116	TOOL-WRENCH, BOX, 16MM	1	1	
5	92110-1188	TOOL-WRENCH, OPEN END 14X17	1	1	
6	92072-507-0002	BAND	1	1	



PART-NO AND DESCRIPTION

NO	PART-NO	DESCRIPTION	GRID NO
1	11001-514-0020	HEAD-CYLINDER	E01
2	11004-U480	GASKET-HEAD	E01
3	11008-514-0017	HEAD-COMP-CYLINDER	E01
4	11009-1326	GASKET, TANK CAP	F04
5	11009-1344	GASKET, OIL PIPE	E13
6	11011-M676	CAP, AIR FILTER	E04
7	11012-1354	CAP, TERMINAL	E20
8	11012-1851	CAP	F12
9	11012-1874	CAP, CHAIN ADJUSTER	F02
10	11012-1980	CAP	E17
11	11012-514-0013	CAP, AIR FILTER	E04
12	11012-514-0014	CAP, AIR FILTER	E04
13	11012-U119	CAP,CHOKE	E15
14	11013-1241	ELEMENT-AIR FILTER	E04
15	11013-1245	ELEMENT-AIR FILTER	E04
16	11036-502-0079	BRACKET-HOSE (UPPER BRAKE)	F07
17	11036-514-0006	BRACKET-COVER-FRONT-ASSY	F01
18	11050-1977	BRACKET, CALIPER-FRONT	F07
19	11060-1753	GASKET	E01
20	11060-1754	GASKET	E03
21	11060-1755	COVER-GENERATOR	E14
22	11060-1756	GASKET	E14
23	11060-1862	GASKET	E01
24	11060-504-0005	GASKET	E05
25	11060-510-0007	GASKET DRAIN PLUG	E13
26	11060-U120	GASKET,FLOAT CHAMBER	E15
27	11065-510-0008	CAP	E01
28	112G0520	BOLT 5 X 20	E10
29	12004-0710	VALVE-INTAKE (OPTION)	E06
30	12004-1128	VALVE-INTAKE	E06
31	12005-0713	VALVE-EXHAUST (OPTION)	E06
32	12005-1278	VALVE-EXHAUST	E06
33	12009-1073	RETAINER-VALVE SPRING	E06
34	12011-1053	COLLET	E06
35	12016-0001	ARM-ROCKER	E06
36	12020-1073	SHAFT-ROCKER	E06
37	12046-0046	SPROCKET	E08
38	12046-101-0002	SPROCKET	E07
39	12048-0009	TENSIONER-ASSY	E07
40	12053-0012	GUIDE-CHAIN	E07

NO	PART-NO	DESCRIPTION	GRID NO
41	12053-1393	GUIDE-CHAIN	E07
42	13002-1110	PIN-PISTON	E02
43	13024-0008	RING-SET-PISTON,STD	E02
44	13024-1107	RING-SET-PISTON LL, O/S 1.00	E02
45	13027-0012	PISTON-ENGINE	E02
46	13027-1186	PISTON-ENGINE LL, O/S 1.00	E02
47	13031-514-0006	CRANKSHAFT-COMP	E08
48	13032-0074	ROD-CONNECTING	E08
49	13034-0010	BEARING-BIG-END	E08
50	13035-514-0003	PIN-CRANK	E08
51	13037-1627	CRANKSHAFT-LH	E08
52	13037-1628	CRANKSHAFT-RH	E08
53	13042-510-0002ED	WEIGHT (ED PAINT)	F10
54	13063-002	DAMPER	E09
55	13064-513-0013	LEVER-KICK	E09
56	13066-1089	SHAFT-KICK	E09
57	13070-1035	GUIDE	E09
58	13070-1279	GUIDE	E13
59	13078-1052	RATCHET	E09
60	13081-1500-AMNA	CLUTCH-ASSY	E10
61	13086-1071	WHEEL-CLUTCH	E10
62	13087-1151	HUB-CLUTCH	E10
63	13088-1111-E	PLATE-FRICTION	E10
64	13089-1087	PLATE-CLUTCH	E10
65	13091-1782	HOLDER	E10
66	13091-1787	HOLDER	E10
67	13091-510-0005	HOLDER,NEEDLE JET	E15
68	13095-1309	HOUSING-COMP-CLUTCH	E10
69	13095-1348	HOUSING-COMP-CLUCTH	E10
70	130H0645-MDN	BOLT	F03
71	130J0612-MDN	BOLT	F01
72	130J0612-MDN	BOLT 503	F11
73	130J0612-MDN	BOLT	F17
74	130J0616	BOLT	F04
75	130J0616	BOLT-FLANGE	F07
76	130J0616	BOLT	F16
77	130J0616-MDN	BOLT-FLANGE	F11
78	130Y0625	BOLT-FLANGED	E07
79	130Y0835	BOLT 8X35	E05
80	13102-1135	RELEASE-COMP-CLUTCH	E10

PART-NO AND DESCRIPTION

NO	PART-NO	DESCRIPTION	GRID NO
81	13102-1136	RELEASE-COMP-CLUTCH	E10
82	13107-1142	SHAFT	E20
83	13107-507-0005	SHAFT HINGE	F16
84	13127-1275	SHAFT-TRANSMISSION INPUT 1ST, 11T	E11
85	13128-0042	SHAFT-TRANSMISSION OUTPUT 2ND, 31T	E11
86	13140-1263	FROK-SHIFT	E11
87	13140-1289	FROK-SHIFT	E11
88	13141-1222	DRUM-CHANGE	E11
89	13144-1186	SPROCKET-OUTPUT 14T	E11
90	13145-1081	CAM-CHANGE DRUM	E11
91	13151-512-0001	SWITCH-COMP	E11
92	13156-M374	LEVER-CHANGE (DB)	E12
93	13157-004	DAMPER	E12
94	13161-1205	LEVER-COMP-CHANGE SHAFT	E12
95	13183-1480	PLATE	E10
96	13193-1065	CLUTCH-ONE WAY	E20
97	13194-1103	CLUTCH-ONEWAY	E10
98	13206-1006	GUIDE-KICK	E09
99	13236-1288	LEVER-COMP	E12
100	13236-T546	LEVER- COMP	E12
101	13242-N510	LEVER-ASSY-CHANGE	E12
102	13260-1839	GEAR-3RD,20T	E11
103	13260-1839	GEAR-TRANSMISSION SPUR	E11
104	13260-1840	GEAR-INPUT TOP,23T	E11
105	13260-1986	GEAR-INPUT 2 ND, 16T	E11
106	13260-1986	GEAR-TRANSMISSION SPUR	E11
107	13262-0666	GEAR-TRANSMISSION SPUR	E11
108	13270-101-0001	PLATE-STOPPER	E07
109	13270-1351	PLATE	E04
110	13270-1352	PLATE	E04
111	13270-1800	PLATE	E14
112	13270-1825	PLATE	E15
113	13270-512-0002	PLATE	E18
114	13271-1116	PLATE	E18
115	13280-1108	HOLDER	E20
116	13280-1228	HOLDER	E11
117	132BA0625	BOLT, FLANGED SMALL 6X25	E14
118	132BA0635	BOLT, FLANGED SMALL 6X35	E14
119	132BA0645	BOLT, FLANGED SMALL 6X45	E14
120	132G0620	SCREW-PAN-CROS	E18

NO	PART-NO	DESCRIPTION	GRID NO
121	132G0625	BOLT-FLANGED-SMALL	E01
122	132G0625	BOLT-FLANGED-SMALL	E07
123	14002-514-0004	CRANKCASE, RH (AFTER M/C)	E13
124	14002-514-0005	CRANKCASE, LH (AFTER M/C)	E13
125	14014-0010	PLATE-POSITION	E12
126	14020-1110	RETAINER	E10
127	14026-514-0008	COVER-CHAIN	E14
128	14031-514-0009	COVER-GENERATOR	E14
129	14032-514-0009	COVER-CLUTCH	E14
130	14037-1204	SCREEN	E04
131	14041-U123	COVER-COMP,CARB.TOP	E15
132	14073-1671	DUCT	E04
133	14090-514-0089	COVER-FRONT-UPPER	F18
134	14090-514-0090	COVER-FRONT-LOWER	F18
135	14090-514-0091	COVER-STEP-THRU-LOWER	F18
136	14090-514-0092	COVER-STEP-THRU-UPPER	F18
137	14090-514-0093	COVER-SEAT-FR-LH	F16
138	14090-514-0094	COVER-SEAT-FR-RH	F16
139	14090-514-0095	COVER-SEAT-RR-LH	F16
140	14090-514-0096	COVER-SEAT-RR-RH	F16
141	14090-514-0097	COVER-SIDE-LH	F18
142	14090-514-0098	COVER-SIDE-RH	F18
143	14090-514-0099	COVER-STEP-THRU-MIDDLE	F18
144	14090-514-0100	COVER-SEAT-CENTRE	F16
145	14090-514-0101	COVER-FENDER-FR-LH	F11
146	14090-514-0102	COVER-FENDER-FR-RH	F11
147	14090-514-0105	COVER SIGNAL-LH	F18
148	14090-514-0106	COVER SIGNAL-RH	F18
149	14090-U347	COVER	E01
150	14771-U257	RETAINER	E15
151	15003-510-0006	CABURETOR-ASSY	E15
152	16007-1187	SEAT-SPRING	E06
153	16009-U125	NEEDLE-JET,P47	E15
154	16014-U126	SCREW-PILOT AIR	E15
155	16017-U127	JET-NEEDLE	E15
156	16025-101-0001	THROTTLE-VALVE TPYE 30	E15
157	16030-U130	FLOAT	E15
158	16031-U131	SCREW,DRAIN	E15
159	16060-510-0002	PIPE-INTAKE	E01
160	16073-1101	INSULATOR	E01

PART-NO AND DESCRIPTION

NO	PART-NO	DESCRIPTION	GRID NO
161	16073-1102	INSULATOR	E01
162	16082-1148	PUMP-ASSY-OIL	E16
163	16085-0015	GEAR IDLE 45T	E20
164	16085-1267	GEAR	E08
165	16085-502-0001	GEAR 62T	E20
166	16097-1051-MDN	FILTER-ASSY-OIL	E17
167	16115-1009	CAP-OIL-FITER	E14
168	16124-U200	THROTTLE-ADJ	E15
169	16132-514-0001	LEVER-KICK-COMP	E09
170	18087-514-0031	MUFFLER-COMP (WITH-CATALYST)	E05
171	18087-514-0034	MUFFLER-COMP (W/O-CATALYST)	E05
172	183H0816	BOLT-UPSET	F03
173	183H0816	BOLT-UPSET-WS SMALL	E05
174	21039-1067	BRUSH, STARTER MOTOR (SET)	E20
175	21066-512-0002	REGULATOR-VOLTAGE	E18
176	21118-101-0001	DECOMPRESSOR	E07
177	21119-512-0007	IGNITER (CDI)	E18
178	21121-514-0009	COIL-IGNITION	E19
179	21160-514-0005	CAP-SPARK PLUG	E19
180	21163-1251	STARTER-MOTOR	E20
181	21190-512-0003	MAGNETO-ASSY	E18
182	22046-514-0020	HOUSING-TAIL-LAMP-ASSY	F15
183	220B0412	SCREW PAN CROS	F04
184	220B0514	SCREW-PAN-CROSS	E18
185	220B0614	SCREW-PAN-CROSS	E06
186	220B0614	SCREW-PAN-CROSS	E12
187	220B0614	SCREW-PAN-WP-CROSS	E13
188	220B0625	SCREW-PAN-CROSS,6 X 25	E16
189	223D0406	SCREW-PAN-WS-CROSS	E20
190	223D0516	SCREW-PAN-WS-CROSS	E20
191	224B0520	SCREW-PAN-CROSS	E19
192	23001-514-0009	LAMP-HEAD	F14
193	23002-514-0001	DECO-LAMP-ASSY	F22
194	23005-514-0001	HOUSING-ASSY	F21
195	23005-514-0002	HOUSING-ASSY	F21
196	23006-514-0021	LENS-TAIL-LAMP	F15
197	23008-514-0022	SOCKET-ASSY-DECO	F22
198	23008-514-0023	SOCKET-ASSY, WIRE-HARNESS	F15
199	23008-514-0024	WIRE-HARNESS	F23
200	23017-514-0003	DC-SOCKET-ASSY	F16

NO	PART-NO	DESCRIPTION	GRID NO
201	23023-513-0009	NUT	F06
202	23024-514-0003	LAMP-LICENSE-PLATE-ASSY	F23
203	23025-514-0019	LAMP-TAIL-ASSY	F15
204	23040-514-0017	LAMP-SIGNAL,FR,LH	F21
205	23040-514-0018	LAMP-SIGNAL,FR,RH	F21
206	235B0510	SCREW-PAN-WP-CROSS	E13
207	235B0614	SCREW-PAN-WP-CROSS	E13
208	25031-514-0027	SPEEDOMETER-ASSY	F20
209	26004-512-0001	FUSE-ASSY	F17
210	26011-503-0004	WIRE-LEAD(-VE)	F17
211	26011-512-0007	WIRE-LEAD, STARTER MOTOR	E20
212	26011-512-0007	WIRE-LEAD(+VE)	F17
213	26012-514-0011	BATTERY	F17
214	26030-514-0036	HARNESS	F17
215	26030-514-0037	WIRE-HARNESS	F21
216	26030-514-0038	WIRE-HARNESS	F21
217	27002-514-0005	RELAY-ASSY	F17
218	27003-0031	HORN	F17
219	27010-1361	SWITCH, BRAKE	F19
220	27045-510-0009	STARTER-RELAY-ASSY	E20
221	27045-513-0008	SWITCH-ASSY	F19
222	28012-514-0007	REFLECTOR-RETRO	F15
223	28016-514-0006	REFLECTOR P514	F11
224	32085-101-0003	STOPPER	E06
225	32085-1515	STOPPER	E11
226	32097-514-0007	CASE BATTERY	F16
227	32109-514-0021	GRIP-FRAME	F01
228	32151-1961	PIPE	E13
229	32152-U425	PIPE-OIL	E13
230	32160-514-0028	FRAME COMP	F01
231	32190-514-0040	BRACKET-ENGINE-FRONT	F01
232	33001-514-0018	ARM-COMP-SWING	F02
233	33032-514-0003	SHAFT-SWING ARM	F02
234	33040-513-0003	ADJUSTER-CHAIN, INNER	F02
235	34003-1470	HOLDER-STEP	F03
236	34003-1496	BRACKET-STEP (SUPPORT STEP RR)	F03
237	34011-514-0006	STAND-CENTER	F03
238	34019-513-0223	SHAFT-STAND	F03
239	34024-502-0002	STAND-SIDE	F03
240	34025-005	SPRING-C	F03

PART-NO AND DESCRIPTION

NO	PART-NO	DESCRIPTION	GRID NO
241	34028-1349	STEP,RR,LH	F03
242	34028-1350	STEP,RR,RH	F03
243	35004-514-0010	FENDER-FRONT	F11
244	35011-514-0027	STAY-REAR-LH	F03
245	35011-514-0028	STAY-REAR-RH	F03
246	35023-514-0022	FENDER-REAR-INNER	F11
247	35023-514-0023	FENDER REAR-FR	F11
248	35023-514-0024	FENDER REAR-RR	F11
249	39058-514-0020	HANDLE-COMP	F10
250	39076-0002	LIMITER	E20
251	39184-1011	BRACKET-ASSY, STARTER MOTOR	E20
252	41025-514-0036	RIM-REAR 17X1.85	F06
253	41025-514-0037	RIM-FRONT 17X1.4	F05
254	41035-513-0002	PANEL-ASSY-BRAKE	F06
255	41036-1153	HUB-ASSY	E10
256	41048-513-0001	SHOE-BRAKE	F06
257	41050-513-0001	CAM-BRAKE	F06
258	41053-513-0001	LEVER-BRAKE-CAM	F06
259	41068-513-0004	AXLE,RR	F06
260	41068-N423	AXLE	F05
261	41073-514-0025	WHEEL-ASSY, RR	F06
262	41073-514-0026	WHEEL-ASSY,FR	F05
263	41078-513-0002	CASE-ASSY-METER GEAR	F05
264	41080-513-0003	DISC	F08
265	41085-513-0001	INDICATOR	F06
266	410F1200	WASHER-PLAIN-SML, 12MM, BLACK	F02
267	411B0600	WASHER-PLAIN-SMALL	E05
268	411B1000	WASHER-PLAIN, 12MM	F05
269	42016-513-0002	PANEL-REAR	F06
270	42016-P955	MASTER-CYLINDER	F07
271	42033-514-0013	COUPLING-ASSY,RR HUB	F06
272	42036-1332	SLEEVE	F09
273	42036-513-0003	SLEEVE,RR HUB COUPLING	F06
274	42041-513-0007	SPROCKET-FINAL-DRIVEN 39T	F06
275	43001-512-0007	LEVER, BRAKE-PEDAL	F09
276	43011-514-0004	ROD-BRAKE	F09
277	43012-001	SPRING, ROD-BRAKE	F09
278	43016-513-0002	MASTER-CYLINDER-FRONT-ASSY	F07
279	43041-513-0001	CALIPER-ASSY	F08
280	43045-1010	PIN-BOLT	F08

NO	PART-NO	DESCRIPTION	GRID NO
281	43048-1066	PISTON-CALIPER	F08
282	43049-1063	PACKING	F08
283	43049-1064	PACKING	F08
284	43056-1056	BLEEDER	F08
285	43057-1001	CAP-BREATHER	F08
286	43082-M258-E	PAD-ASSY-BRAKE	F08
287	43095-0084	HOSE-BRAKE	F07
288	44005-513-0010	COMP. OUTER TUBE (L)	F12
289	44011-513-0016	FORK-FRONT (COMP. SET)	F12
290	44022-1291	CYLINDER	F12
291	44026-1542	SPRING-SUB	F12
292	44037-V576	BRACKET-UNDER-COMP	F12
293	44070-513-0027	DAMPER-ASSY-RH	F12
294	44070-513-0028	DAMPER-ASSY-LH	F12
295	45014-513-0017	SHOCKABSORBER	F02
296	45662-514-0014	LUGGAGE BOX ASSY	F16
297	46019-1113	GRIP-ASSY-RH	F10
298	46075-1156	GRIP-ASSY-LH	F10
299	46091-513-0009	HOUSING-ASSY-CONTROL-LH	F10
300	46091-514-0017	HOUSING-ASSY-CONTROL-RH	F10
301	46092-513-0005	LEVER-BRAKE	F07
302	46098-016	CAP, STEERING STEM	F01
303	461DA0600	WASHER-SPRING	E20
304	462F0600	WASHER-SPRING	E05
305	481J3500	CIRCLIP-TYPE-C,37MM	F05
306	49002-1146	GUIDE-VALVE	E01
307	49006-1088	BOOT	F08
308	49006-1223	BOOT, DRAIN	E04
309	49006-1242	BOOT	F08
310	49047-0001	ROD-SHIFT	E11
311	49070-514-0035	MUFFLER (W/O-CATALYST)	E05
312	49070-514-0036	MUFFLER (WITH-CATALYST)	E05
313	49078-1151	SPRING-ENGINE VALVE	E06
314	49091-0001	WASHER-PLAIN	F07
315	49106-514-0032	COVER-FRONT	E05
316	49106-514-0034	COVER-REAR	E05
317	49118-514-0009	CAMSHAFT-COMP	E07
318	49125-514-0007	SHROUD-LH	F18
319	49125-514-0008	SHROUD-RH	F18
320	51001-514-0012	FUEL TANK COMP.	F04

PART-NO AND DESCRIPTION

NO	PART-NO	DESCRIPTION	GRID NO
321	51023-1333	TAP ASSY	F04
322	51048-1136	TANK CAP ASSY	F04
323	51049-1109	TANK CAP	F04
324	510A3200	KEY-WOODRUFF	E08
325	52005-514-0011	FUEL GAUGE ASSY	F04
326	52010-1053-E	ELEMENT-OIL FILTER	E17
327	53001-514-0023	SEAT ASSY	F16
328	53009-512-0002	HINGE-SEAT-ASSY	F16
329	54001-513-0004	CABLE-SPEEDMETER	F13
330	54012-503-0005	CABLE-THROTTLE-ASSY	F13
331	54014-514-0007	CABLE-SEATLOCK	F13
332	54017-1200	CABLE-STARTER	F13
333	55020-513-0001	GUARD	F02
334	55028-514-0031	COWLING-UPPER-LH	F18
335	55028-514-0032	COWLING-UPPER-RH	F18
336	55028-514-0033	COWLING-LH	F18
337	55028-514-0034	COWLING-RH	F18
338	55028-514-0035	COWLING-OUTER-LH	F18
339	55028-514-0036	COWLING-OUTER-RH	F18
340	55028-514-0039	COWLING-LOWER-LH	F18
341	55028-514-0040	COWLING-LOWER-RH	F18
342	56001-514-0013	MIRROR-ASSY-LH	F10
343	56001-514-0014	MIRROR-ASSY-RH	F10
344	56007-502-0001	TOOL-KIT	D03
345	56009-509-0001	TOOL-BOX-ASSY	D03
346	56062-514-0905	PATT-COVER-SEAT-FRONT-UPPER-LH	D01
347	56062-514-0906	PATT-COVER-SEAT-FRONT-UPPER-RH	D02
348	56062-514-0907	PATT-COVER-SEAT-FRONT-LOWER-LH	D01
349	56062-514-0908	PATT-COVER-SEAT-FRONT-LOWER-RH	D02
350	56062-514-0909	PATT-COVER-FRONT-LOWER-LH	D01
351	56062-514-0910	PATT-COVER-FRONT-LOWER-RH	D02
352	56062-514-0911	PATT-COVER-FRONT-LOWER-UPPER-LH	D01
353	56062-514-0912	PATT-COVER-FRONT-LOWER-UPPER-RH	D02
354	56062-514-0913	PATT-COWLING-OUTER-LH	D01
355	56062-514-0914	PATT-COWLING-OUTER-RH	D02
356	56062-514-0915	PATT-COWLING-LOWER-LH	D01
357	56062-514-0916	PATT-COWLING-LOWER-RH	D02
358	56062-514-0917	PATT-COWLING-LOWER-UPPER-LH	D01
359	56062-514-0918	PATT-COWLING-LOWER-UPPER-RH	D02
360	59051-1380	GEAR-SPUR	E09

NO	PART-NO	DESCRIPTION	GRID NO
361	59071-1127	JOINT, DRAIN	E04
362	59441-514-0033	COVER-HANDLE-FR	F10
363	59441-514-0034	COVER-HANDLE-RR	F10
364	600A0800	BALL-STEEL, 1/4"	F01
365	601A6201-MDN	BEARING-BALL	E13
366	601A6203	BEARING-BALL	E13
367	601B6002Z	BEARING-BALL 6002ZC3	E07
368	601B6201-UG	BEARING-BALL	F06
369	601B6301-UG	BEARING-BALL	F06
370	610A0408	ROLLER	E11
371	670B2016	RING-O, 16mm	E14
372	670D2021	O-RING	E07
373	92001-1455	BOLT	E13
374	92001-M577	BOLT-FLANGED	F09
375	92001-U227	BOLT	F04
376	92002-1237-MDN	BOLT	E12
377	92004-053	STUD	E13
378	92004-1234	STUD	E01
379	92005-502-0005	SCREW M6X14	F18
380	92009-1104	SCREW	E09
381	92009-1109	SCREW	E06
382	92009-1654	SCREW M5 X 16	F16
383	92009-1654	SCREW M5X16	F18
384	92009-1654Z	SCREW M5X16	F10
385	92009-1745	SCREW	E14
386	92009-1845	SCREW	E11
387	92009-502-0005	SCREW	F11
388	92009-502-0005	SCREW M6X14	F16
389	92009-507-0012	SCREW M4 X 0.7 X 10MM	F15
390	92009-507-0020	SCREW M5 X 16	F10
391	92009-507-0020	SCREW M5X16	F11
392	92009-507-0020	SCREW M5 X 16	F16
393	92009-507-0020	SCREW M6X16	F18
394	92009-510-0008	SCREW	F10
395	92009-510-0009	CLAMP	E04
396	92009-514-0053	SCREW-SELF-TAPPING 3X8	F15
397	92009-514-0053	SCREW SELF TAPPING	F21
398	92009-514-0053	SCREW-TAPPING	F22
399	92009-514-0053	SCREW-TAPPING	F23
400	92009-514-0056	SCREW-HEAD-LAMP(adj.reflector)	F14

PART-NO AND DESCRIPTION

NO	PART-NO	DESCRIPTION	GRID NO
401	92009-514-0059	SCREW M5	E05
402	92009-514-0060	SCREW M6	E05
403	92009-P527	SCREW	F16
404	92009-P555	SCREW CR PAN HD TAPPING	F18
405	92009-T660	SCREW	F18
406	92009-U132	SCREW	E15
407	92009-U133	RING SNAP	E15
408	92015-042	NUT	F09
409	92015-077	NUT	E08
410	92015-1137	NUT	E06
411	92015-1151	NUT	E01
412	92015-1331	NUT	E05
413	92015-1406	NUT-FLANGED M8X1.25	F02
414	92015-1406-MDN	NUT M8	F01
415	92015-1671	NUT U-TYPE	F11
416	92015-1671	NUT U TYPE	F18
417	92015-1870	NUT	F06
418	92015-1901	NUT, 30MM	F01
419	92015-509-0001	NUT, SWING ARM SHAFT, M12 P1.25	F02
420	92015-509-0001	NUT-LOCK (OPTION)	F06
421	92015-513-0002	NUT-HEX M8	F06
422	92015-P509	NUT LOCK HEXAGON	F10
423	92015-P529	NUT-CLIP-U-TYPE	F10
424	92015-P529	NUT-SPRING-U-TYPE	F11
425	92015-P529	NUT-U TYPE	F16
426	92022-1143	WASHER	F18
427	92022-1224	WASHER	E09
428	92022-1373	WASHER, SPG	F08
429	92022-1521	WASHER	F10
430	92022-1588	WASHER	F09
431	92022-183	WASHER	F04
432	92022-315	WASHER	E09
433	92025-1280	SHIM	E11
434	92026-1091	SPACER	E11
435	92026-1217-1A	SPACER	E12
436	92026-1415	SPACER	E10
437	92026-1464	SPACER	E10
438	92026-N621	SPACER	F06
439	92027-1653	COLLAR	E05
440	92033-0030	RING-SNAP	E09

NO	PART-NO	DESCRIPTION	GRID NO
441	92033-0031	RING-SNAP	E11
442	92033-1041	RING-SNAP,42MM	F06
443	92033-1060	RING-SNAP	E11
444	92033-1072	RING-SNAP	E02
445	92033-1240	RING-SNAP	E10
446	92033-1247	RING-SNAP	E01
447	92033-513-0006	RING SNAP	F12
448	92036-018	CLAMP,TUBE	E15
449	92037-1601	BOLT-FLANGED-SAMLL	E15
450	92037-1712	CLAMP	E04
451	92037-1972	CLAMP	E13
452	92037-1972	CLAMP, TUBE	E04
453	92037-U135	CLAMP	E15
454	92041-0004	PIN-COTTER	F09
455	92041-0006	PIN-COTTER	F03
456	92041-0006	PIN-COTTER	F06
457	92043-065	PIN	F09
458	92043-1263	PIN	E13
459	92043-1263	PIN	E16
460	92043-1264	PIN	E01
461	92043-1264	PIN	E03
462	92043-1385	PIN	E11
463	92043-1416	PIN, HANGER	F08
464	92043-1569	PIN, FRONT	F09
465	92045-1123	BEARING-BALL	E10
466	92045-1171	BEARING-BALL	E13
467	92045-1293	BEARING-BALL	E08
468	92045-1293	BEARING-BALL	E13
469	92045-1309	BEARING-BALL	F05
470	92045-1310	BEARING-BALL	F05
471	92045-1349	BEARING BALL, STARTER MOTOR	E20
472	92045-512-0001	BEARING-BALL	E14
473	92045-513-0002	BEARING-BALL RADIAL 6208	F06
474	92046-1148-MDN	BEARING-NEEDLE	E13
475	92046-1223	BEARING-NEEDLE	E10
476	92048-1074	RACE	E10
477	92048-1096	RACE BALL	F12
478	92049-1465	SEAL-OIL, STARTER MOTOR	E20
479	92049-1488	SEAL-OIL,KCY25X42X5	F06
480	92049-1511	SEAL-OIL	E13

PART-NO AND DESCRIPTION

NO	PART-NO	DESCRIPTION	GRID NO
481	92049-1512	SEAL-OIL	E06
482	92049-1618	SEAL-OIL,KCY19X37X7	F05
483	92049-513-0002	SEAL	F06
484	92049-513-0003	DUST-SEAL	F06
485	92049-V533	SEAL-OIL	F12
486	92051-003	SEAL-OIL	E14
487	92051-005	SEAL-OIL	E13
488	92055-1276	RING-O	E20
489	92055-1603	RING-O	E10
490	92055-1604	O RING , 10MM	E13
491	92055-1604	O RING,10MM	E16
492	92055-1605	O-RING	E07
493	92055-1606	RING-O	E14
494	92055-1607	RING-O	E11
495	92055-1608	RING-O	E01
496	92055-1609	RING-O	E11
497	92055-1611	RING-O	E01
498	92055-1612	RING-O	E01
499	92055-1613	RING-O	E17
500	92055-1695	RING-O	E14
501	92055-U136	RING-O	E15
502	92055-U137	RING-O	E15
503	92055-U138	JET-MAIN,#82	E15
504	92057-0031	CHAIN	E07
505	92057-514-0013	CHAIN	F06
506	92063-U139	JET-MAIN,#85	E15
507	92063-U140	JET-MAIN,#88	E15
508	92063-U141	JET-MAIN,#78	E15
509	92063-U142	JET-MAIN,#80	E15
510	92063-U143	JET-MAIN,#45	E15
511	92064-U263	SPRING,THROTTLE	E15
512	92066-1174	PLUG, OIL DRAIN	E13
513	92066-1196	PLUG	E14
514	92066-1364	PLUG-FRAME	F01
515	92066-1565	PLUG, GENERATOR-COVER-CAP	E14
516	92066-513-0006	PLUG-FRAME-LOWER	F01
517	92066-514-0012	PLUG	F02
518	92069-507-0007	BULB 12V 5W W2.1 X 9.5D	F14
519	92069-507-0007	BULB W5W	F22
520	92069-507-0007	BULB W5W	F23

NO	PART-NO	DESCRIPTION	GRID NO
521	92069-507-0010	BULB 12V, LAMP TAIL	F15
522	92069-512-0015	BULB, HS1, 35W, MAIN	F14
523	92069-514-0023	BULB RY10W	F21
524	92070-P735	IGNITION PLUG(C7HSA)	E19
525	92071-056	GROMMET	F01
526	92072-0005	BAND(CABLE TIE)	F17
527	92072-507-0002	BAND	D03
528	92075-1675	DAMPER, STEP	F03
529	92077-N435	KNOB, FUEL TAP	F04
530	92081-122	SPRING	E09
531	92081-1276	SPRING	E09
532	92092-0008	BUSHING-RUBBER	F02
533	92093-1079	SEAL, STARTER MOTOR	E20
534	92093-1362	SEAL	E04
535	92093-507-0002	SEAL	F12
536	92093-507-0002	SEAL-DUST	F12
537	92097-M861	RACE, STEERING STEM BEARING	F01
538	92098-M862	RACE, STEERING STEM BEARING	F01
539	92098-M863	RACE, STEERING STEM BEARING	F01
540	92107-1051	TOOL-DRIVER, #2 PHILLIPS & SLOT	D03
541	92110-1116	TOOL-WRENCH, BOX, 16MM	D03
542	92110-1188	TOOL-WRENCH, OPEN END 14X17	D03
543	92139-1102	BUSHING	E11
544	92143-1661	COLLAR	E10
545	92143-1663	COLLAR	E10
546	92143-1680	COLLAR	E11
547	92143-1683	COLLAR M6X11	F18
548	92143-1696	COLLAR	E10
549	92143-1847	COLLAR	F05
550	92143-1857	COLLAR	E07
551	92143-514-0038	COLLAR,RR AXLE	F06
552	92143-U598	COLLAR	F18
553	92144-101-0002	SPRING	E10
554	92144-1107-MDN	SPRING	E12
555	92144-1245	SPRING	E11
556	92144-1556	SPRING	E10
557	92144-1590-MDN	SPRING	E12
558	92144-1724	SPRING	F03
559	92144-1847	SPRING	F08
560	92144-1875	SPRING	E15

PART-NO AND DESCRIPTION

NO	PART-NO	DESCRIPTION	GRID NO
561	92144-1876	SPRING	E15
562	92144-1892-MDN	SPRING	E17
563	92144-1910	SPRING, BRAKE PEDAL RETURN	F09
564	92144-1991	SPRING	F19
565	92145-101-0001	SPRING	E07
566	92145-1381	SPRING	E11
567	92145-1552	SPRING	E12
568	92145-513-0016	SPRING	F06
569	92145-U145	TUBE,3.5 X 6.5 X 548	E15
570	92150-1380	BOLT	E07
571	92150-1433	BOLT	E11
572	92150-1545	BOLT	F03
573	92150-1556	BOLT	E13
574	92150-1626-MDN	BOLT	E12
575	92150-1695	BOLT 8 X 30	F12
576	92150-1695	BOLT 8 X 30	F12
577	92150-1728	BOLT, DISC	F08
578	92150-1761	BOLT	E01
579	92150-1831	BOLT M10 X 120	F02
580	92150-507-0001	BOLT-SOCKET	F03
581	92151-101-0004	BOLT-FLANGED M6X20	E18
582	92151-101-0005	BOLT-SOCKET	E07
583	92151-1069	BOLT	E10
584	92151-1112	BOLT 8X100	F01
585	92151-1124	BOLT 8X120	F01
586	92151-1166	BOLT	E20
587	92151-1319	BOLT 8X130	F01
588	92151-1413	BOLT M10 X 45	F02
589	92151-1413	BOLT	F10
590	92151-510-0006	BOLT-FLANGE M6X22	F01
591	92152-1106	COLLAR	F10
592	92152-1396	COLLAR,FR HUB,L=48	F05
593	92152-1684	COLLAR	F11
594	92152-513-0001	COLLAR,RR HUB	F06
595	92153-0627	BOLT-JOINT, BRAKE-HOSE	F07
596	92153-0852	BOLT M6 X 10	F07
597	92153-0852	BOLT	F17
598	92153-0884	BOLT-TAP	F04
599	92153-0885	BOLT-FLANGED-SMALL	E01
600	92153-0885	BOLT-FLANGED SMALL	E17

NO	PART-NO	DESCRIPTION	GRID NO
601	92153-0886	RING-O,DRAIN SCREW	E15
602	92153-0922	BOLT, CALIPER	F08
603	92153-510-0009	BOLT-FLANGED SMALL M6X16	E01
604	92153-513-0008	BOLT-STUD M8	F06
605	92153-U244	BOLT FLANGED	E09
606	92153-V185	BOLT	F06
607	92160-1116	DAMPER	E05
608	92160-1167	DAMPER	F18
609	92160-1627	DAMPER,RR WHEEL	F06
610	92160-1821	DAMPER, BRAKE-STOPPER	F03
611	92160-1836	DAMPER	E03
612	92160-1837	DAMPER	E03
613	92170-1067	CLAMP (CABLE-BRAKE-HOSE)	F13
614	92170-1574	CLAMP (CABLE-METTER)	F13
615	92171-1466	CLAMP	E13
616	92172-0157	SCREW	E13
617	92172-0157	SCREW	F19
618	92172-0158	SCREW	E14
619	92172-0158	SCREW	E18
620	92172-0160	SCREW-PAN-CROSS	E20
621	92172-0161	SCREW	E13
622	92172-0161	SCREW	E14
623	92172-0163	SCREW	E13
624	92172-0191	SCREW-PAN-CROS,6*8	E18
625	92172-0401	SCREW, 6 X 20	E04
626	92172-0401	SCREW, 6 X 20	E04
627	92172-0898	SCREW-PAN-CROSS,6 X 30	E16
628	92190-1498	TUBE	E13
629	92190-507-0006	TUBE (BRACKET CLAMP CABLE)	F01
630	92191-1100	TUBE, DRAIN	E04
631	92191-1271	TUBE	E15
632	92191-1389	TUBE-INNER-COMP	F12
633	92191-U146	TUBE,3.5 X 6.5 X 298	E15
634	92191-U147	TUBE	E15
635	92200-1087	WASHER	F04
636	92200-1087	WASHER	F11
637	92200-1087	WASHER	F16
638	92200-1120	WASHER	F03
639	92200-U148	WASHER	E15
640	92210-0017	NUT, 8MM	F02

PART-NO AND DESCRIPTION

NO	PART-NO	DESCRIPTION	GRID NO
641	92210-0191	NUT	F03
642	92210-0194	NUT-LOCK	F03
643	92210-0198	NUT	E10
644	92210-0202	NUT	E20
645	92210-0928	NUT	E08
646	92210-0928	NUT	E10
647	92210-1080	NUT-LOCK M10	F02
648	92210-1340	NUT, STEERING STEM, 30MM	F01
649	92210-N431	NUT-LOCK	F05
650	95001-514-0017	AIR-VENT-TUBE	F15
651	98111-514-0011	CYLINDER-COMP-ENGINE	E03



Motosikal dan Enjin Nasional Sdn Bhd
Kawasan Gurun Perusahaan Gurun, 08300 Gurun, Kedah Darul Aman, Malaysia
Tel : 604-466 8000 Fax : 604-466 8300

Pusat Panggilan Pelanggan **1 800 880 181** www.modenas.com.my

Edaran MODENAS Sales & Marketing Office
EON Head Office Complex, No. 2 Level 2 Persiaran Kerjaya, Taman Perindustrian Glenmerie ,
Section U1 40150, Shah Alam, Selangor Darul Ehsan
Tel : 03-7880 2775 Fax : 03-7880 2290

MODENAS Service Centres in Malaysia

- | | | | |
|------------|--|---------------------|-------------------|
| ● Kedah | Kawasan Perindustrian Gurun, 08300 Kedah Darul Aman. | Tel: 04-466 8236 | Fax: 04-4668109 |
| ● Perak | No. 123, Jalan Raja Musa Aziz, 30300 Ipoh, Perak | Tel: 05-249 8962/63 | Fax: 05-249 8969 |
| ● Selangor | No. 62 & 64 Jalan Pluto Ay, U5 Ay, Seksyen U5 40150 | Tel: 03-7848 3776 | Fax: 03-7845 1025 |
| ● Pahang | No. A 149, Lorong Seri Teruntum 8,
Jalan Dato Wong Ah Jang, Taman Tunas Maju,
252 Kuantan, Pahang Darul Makmur | Tel: 09-512 3380 | Fax: 09-512 3383 |
| ● Johor | No. 1, Jalan Kempas 2, Taman Tanah Tampoi
81200 Johor Bahru, Johor Darul Takzim | Tel: 07-235 1695 | Fax: 07-235 2693 |

A Member Of :

DRB-HICOM

[JILID-1-05/2015]
99924-L049-00

Distributor :

EMOS
EDARAN MODENAS SDN. BHD.